



US00D547801S

(12) **United States Design Patent**
Oka

(10) **Patent No.:** **US D547,801 S**
(45) **Date of Patent:** **** Jul. 31, 2007**

(54) **MARKING PEN**

(75) Inventor: **Shigeo Oka**, Tokyo (JP)

(73) Assignee: **Pentel Kabushiki Kaisha** (JP)

(**) Term: **14 Years**

(21) Appl. No.: **29/224,119**

(22) Filed: **Feb. 25, 2005**

(30) **Foreign Application Priority Data**

Sep. 21, 2004 (JP) 2004-028568

(51) **LOC (8) Cl.** **19-06**

(52) **U.S. Cl.** **D19/43**

(58) **Field of Classification Search** D19/36,
D19/37, 41-51, 54-57; 24/11 R, 11 F, 11 P;
401/52, 99, 100, 104, 105, 106, 107, 108,
401/109, 192, 195

See application file for complete search history.

(56) **References Cited**

U.S. PATENT DOCUMENTS

- D130,443 S * 11/1941 Gower D19/58
- D193,918 S * 10/1962 Ayres, Jr. D19/43
- D198,953 S * 8/1964 Quintal D9/453
- D201,412 S * 6/1965 De Groft D19/43
- D205,330 S * 7/1966 Capezzuto D19/43

- 3,776,673 A * 12/1973 DeGroft 425/125
- D289,088 S * 3/1987 Jankewitz D28/7
- 4,872,777 A * 10/1989 Dalbke 401/199
- 6,247,865 B1 * 6/2001 Russell et al. 401/202
- D450,086 S * 11/2001 Rosenbaum D19/36
- 6,626,600 B1 * 9/2003 Brand et al. 401/202
- D493,832 S * 8/2004 Hung D19/43

* cited by examiner

Primary Examiner—Elizabeth A. Albert

(74) *Attorney, Agent, or Firm*—Adams & Wilks

(57) **CLAIM**

The ornamental design for a marking pen, as shown and described.

DESCRIPTION

FIG. 1 is a perspective view of a marking pen showing my new design;
 FIG. 2 is a front view thereof;
 FIG. 3 is a bottom view thereof;
 FIG. 4 is a left side view thereof;
 FIG. 5 is a right side view thereof;
 FIG. 6 is a rear view thereof;
 FIG. 7 is a front view thereof, with the writing tip exposed and the cap member in stored position; and,
 FIG. 8 is a sectional view taken along 8—8 in FIG. 2.

1 Claim, 2 Drawing Sheets

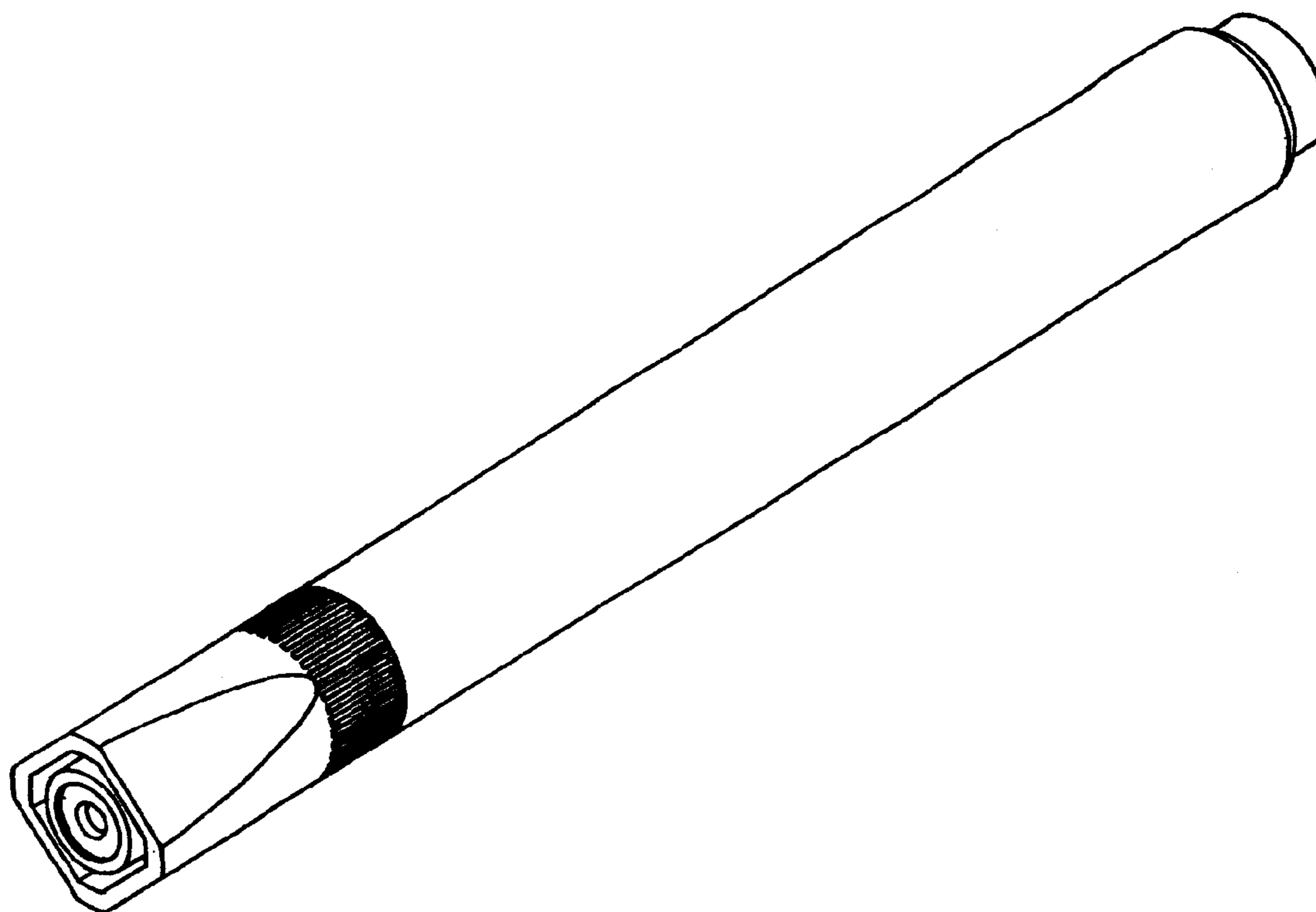


FIG. 1

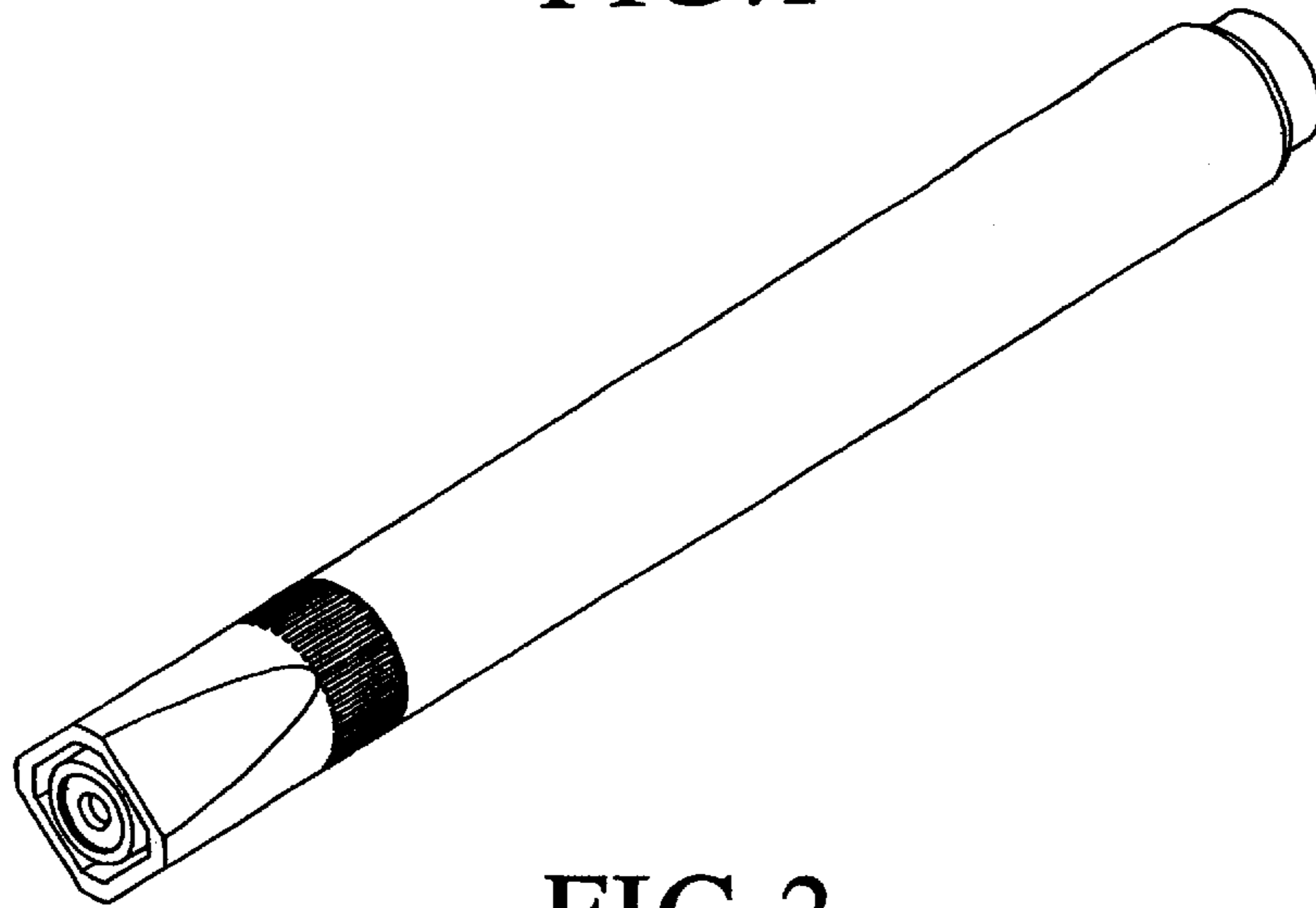


FIG. 2

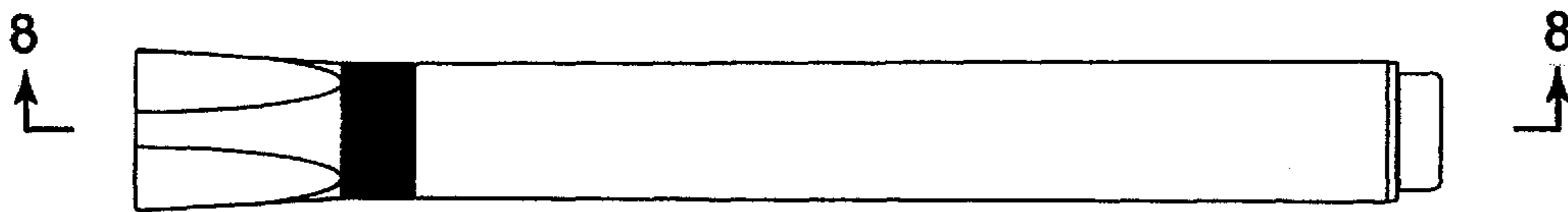


FIG. 3



FIG. 4



FIG. 5



FIG.6

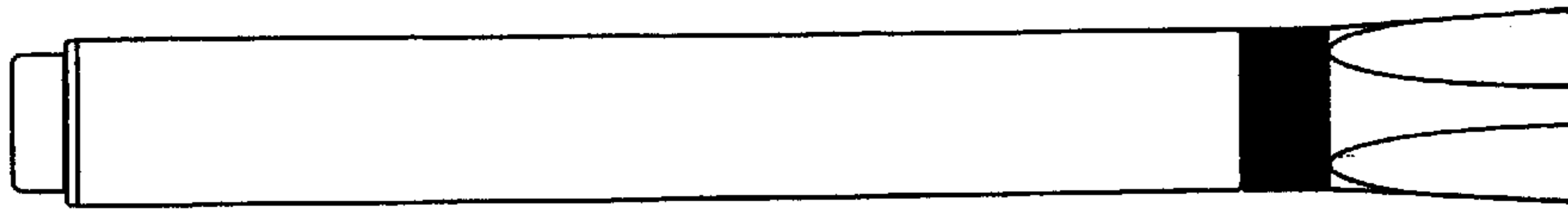


FIG.7

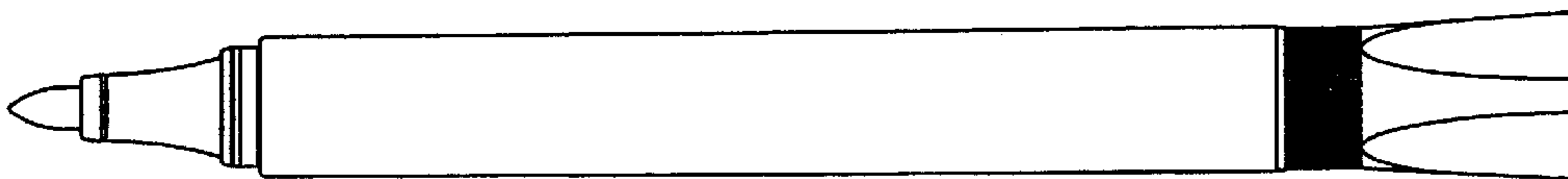


FIG.8

