



US00D547799S

(12) **United States Design Patent**  
**Granick**

(10) **Patent No.:** **US D547,799 S**

(45) **Date of Patent:** **\*\* Jul. 31, 2007**

(54) **COMBINATION PEN, STYLUS AND LIGHT**

*Primary Examiner*—Elizabeth A. Albert

(75) Inventor: **Daniel H. Granick**, Buffalo Grove, IL (US)

(74) *Attorney, Agent, or Firm*—Greenberg Traurig

(73) Assignee: **Creative Promotional Products**, Skokie, IL (US)

(57) **CLAIM**

The ornamental design for a combination pen, stylus and light, as described and shown.

(\*\*) Term: **14 Years**

**DESCRIPTION**

(21) Appl. No.: **29/243,496**

FIG. 1 is a perspective view of the combination pen, stylus and light, with the cap in the closed position, showing my new design.

(22) Filed: **Nov. 25, 2005**

(51) **LOC (8) Cl.** ..... **19-06**

(52) **U.S. Cl.** ..... **D19/36; D14/411; D26/38**

(58) **Field of Classification Search** ..... D14/411;  
D19/35, 36, 41–51, 54–57; D26/38; 24/11 R,  
24/11 F, 11 P; 362/118; 401/52, 99, 100,  
401/104–109, 192, 195

FIG. 2 is a left side elevation view thereof, the right side view being a mirror image of the left side view.

See application file for complete search history.

FIG. 3 is a bottom plan view thereof.

(56) **References Cited**

**U.S. PATENT DOCUMENTS**

431,598 A *	7/1890	Kim et al.	.....	340/294
D146,215 S *	1/1947	Florman	.....	D19/51
D456,411 S *	4/2002	Kourushi	.....	D14/411
D469,555 S *	1/2003	Hong	.....	D26/38
D483,065 S *	12/2003	Cetera	.....	D19/36
D497,387 S *	10/2004	Cetera	.....	D19/36
D507,810 S *	7/2005	Su	.....	D19/36
D530,373 S *	10/2006	Cetera	.....	D19/43

FIG. 4 is a top plan view thereof.

FIG. 5 is a front elevation view thereof.

FIG. 6 is a rear elevation view thereof.

FIG. 7 is a perspective view thereof, with the cap posted on the rear, exposing the pen tip.

FIG. 8 is a left side elevation view thereof, the right side view being a mirror image of the left side view.

FIG. 9 is a bottom plan view thereof.

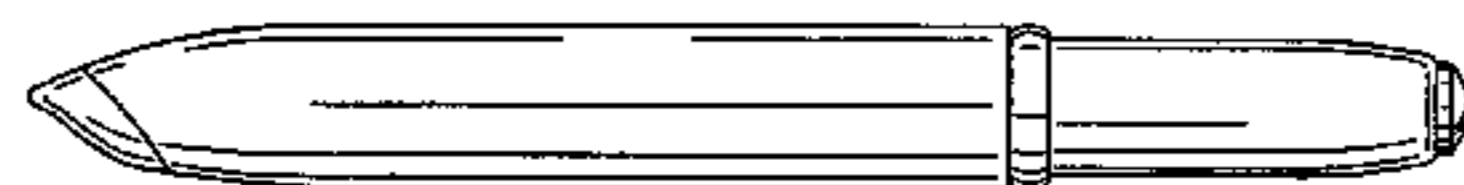
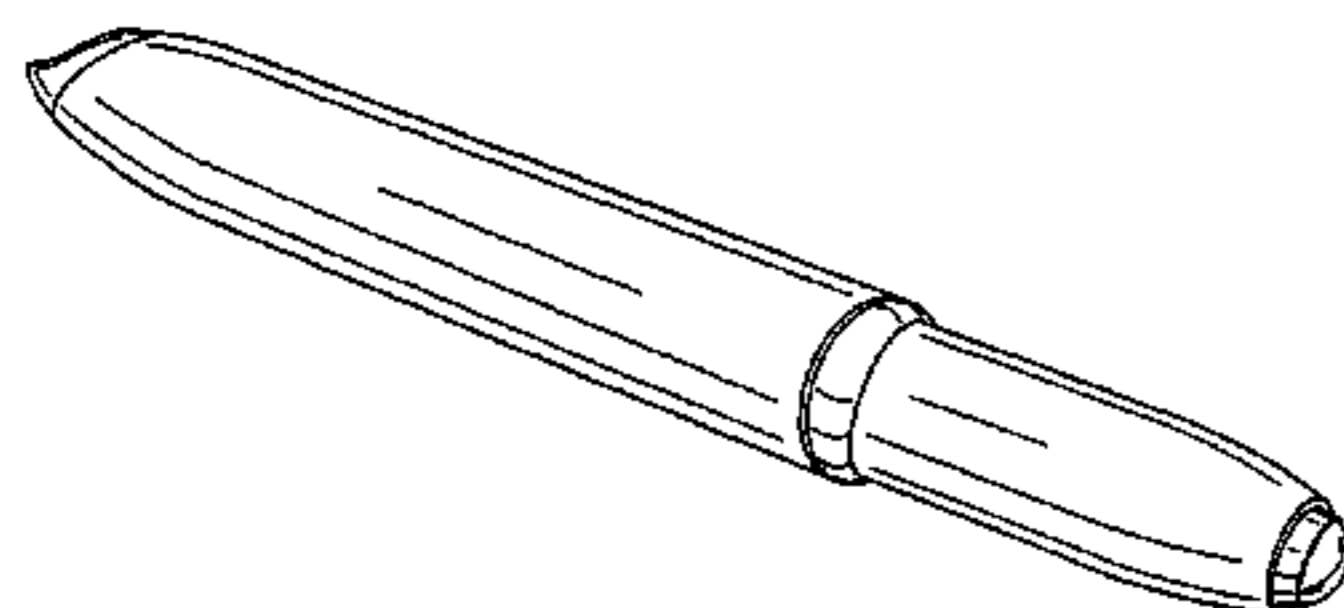
FIG. 10 is a top plan view thereof.

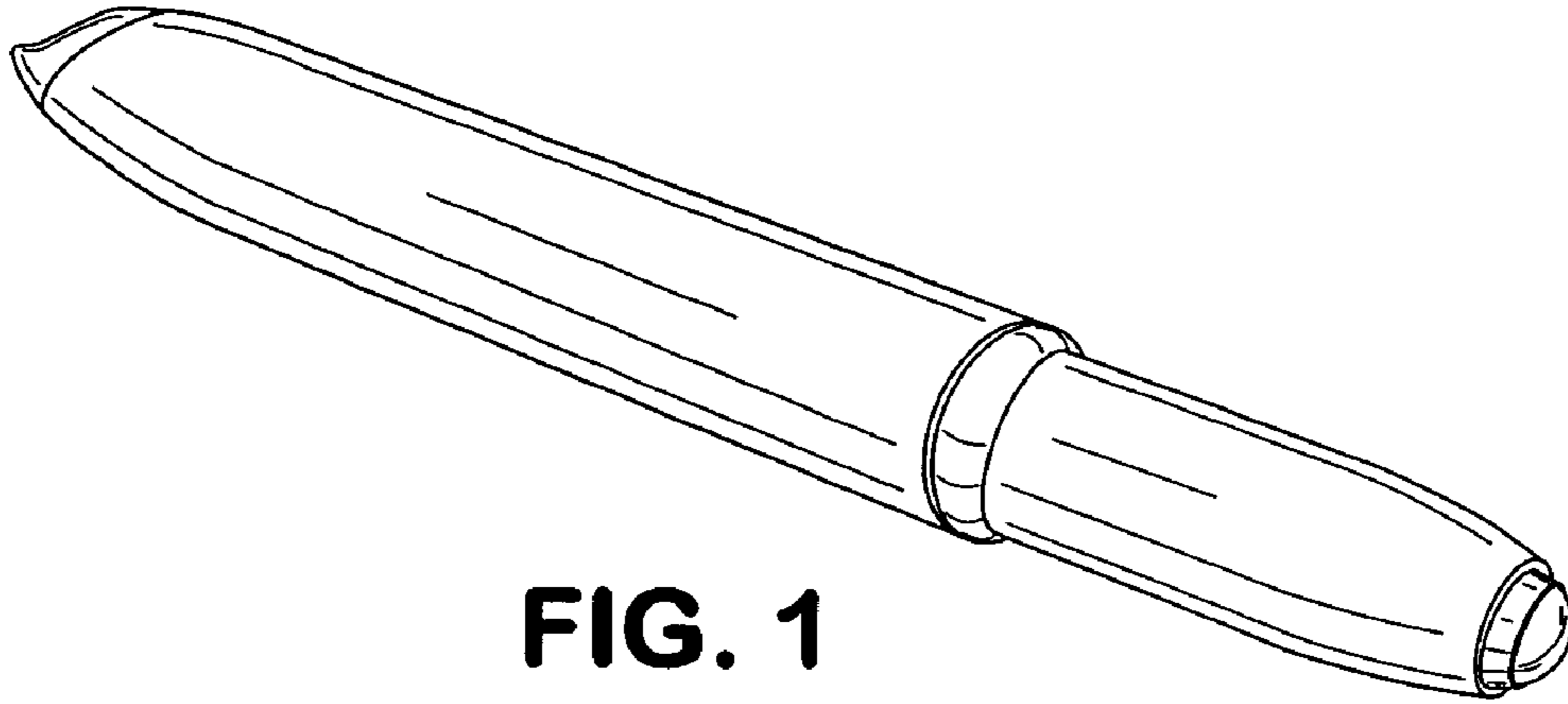
FIG. 11 is a front elevation view thereof; and,

FIG. 12 is a rear elevation view thereof.

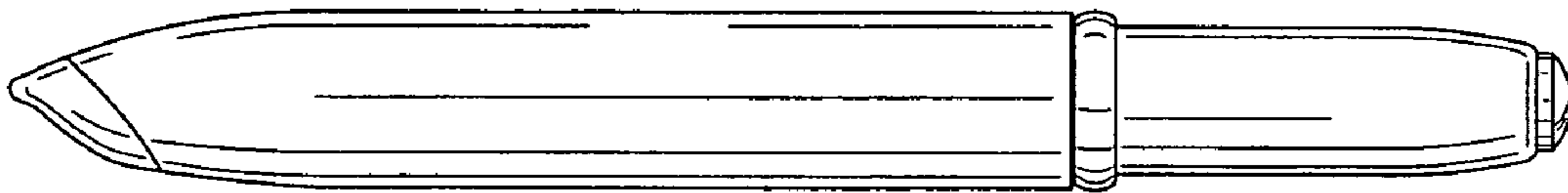
\* cited by examiner

**1 Claim, 3 Drawing Sheets**

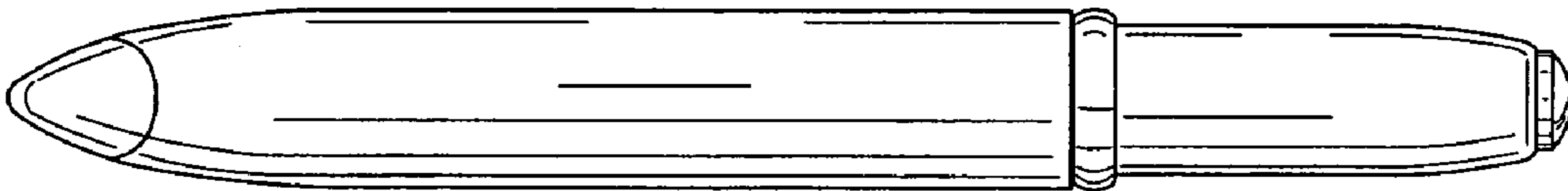




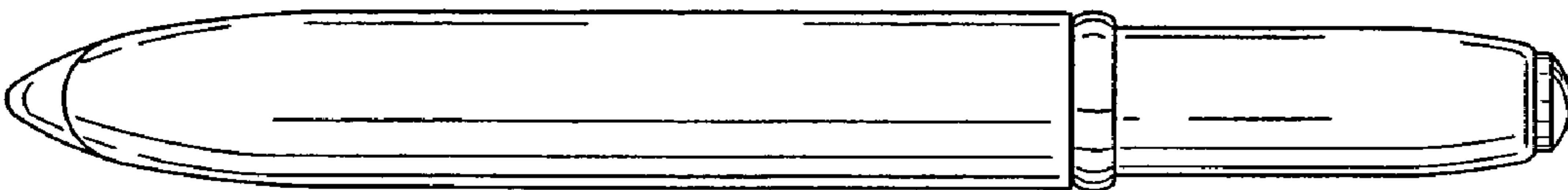
**FIG. 1**



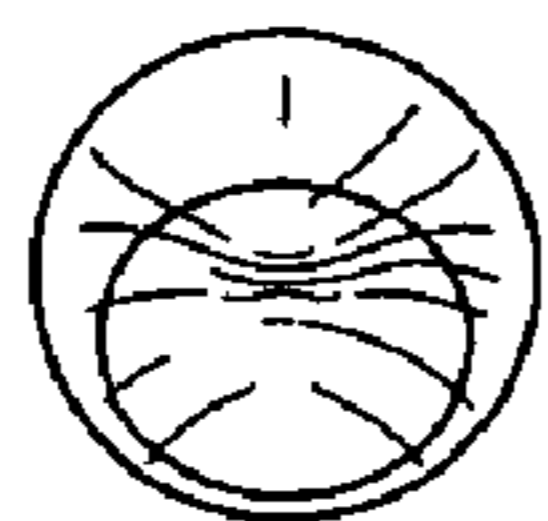
**FIG. 2**



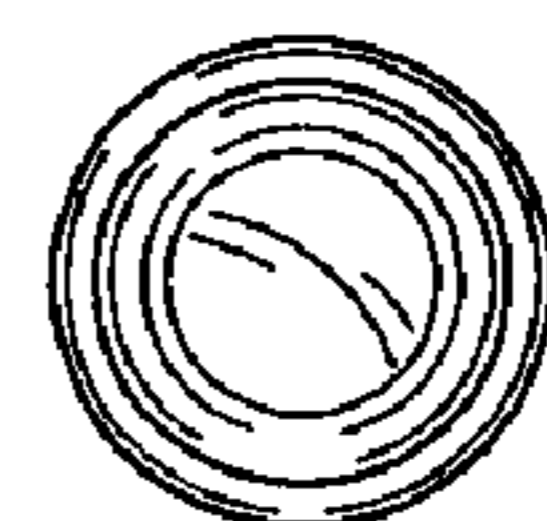
**FIG. 3**



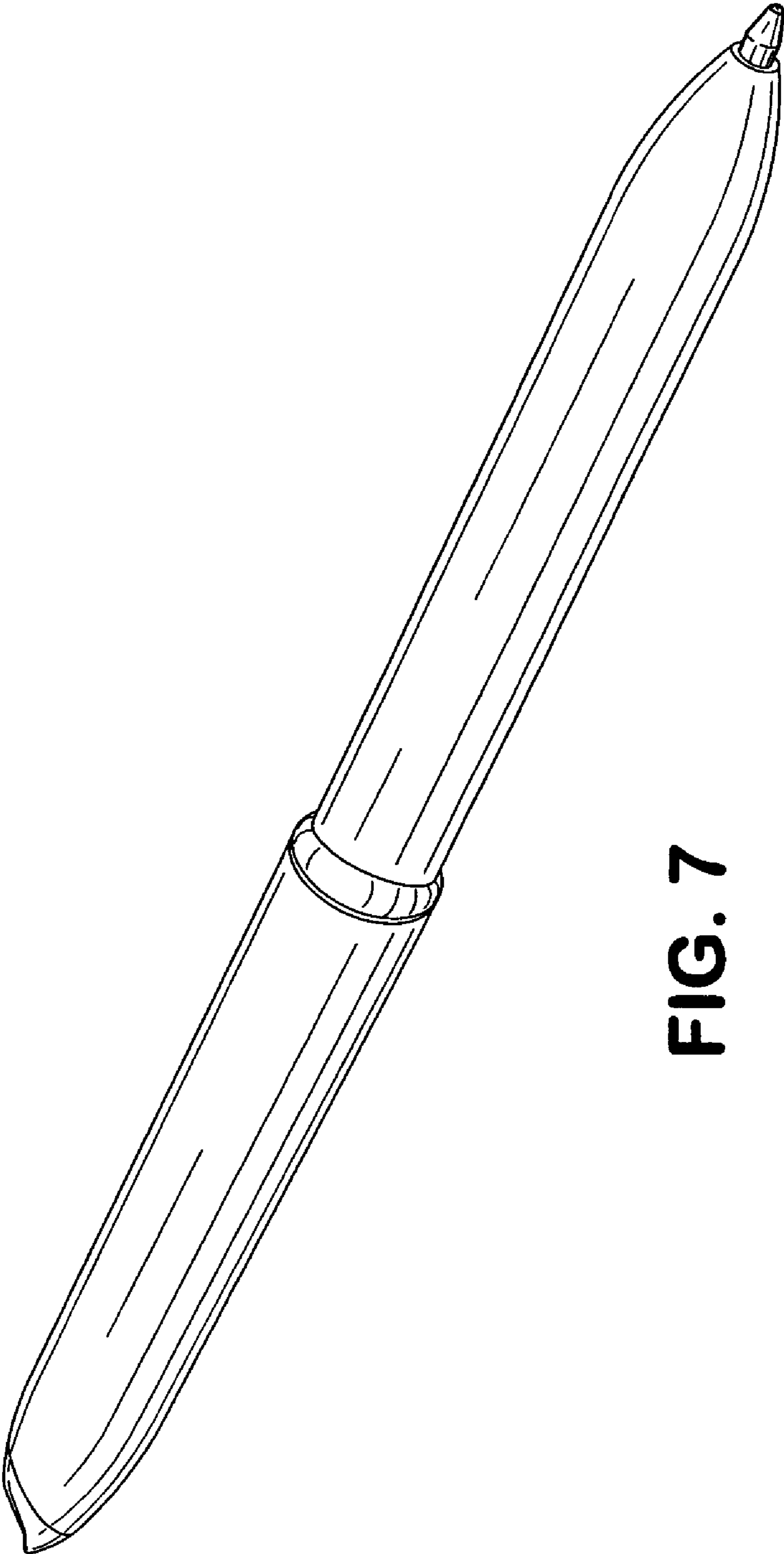
**FIG. 4**



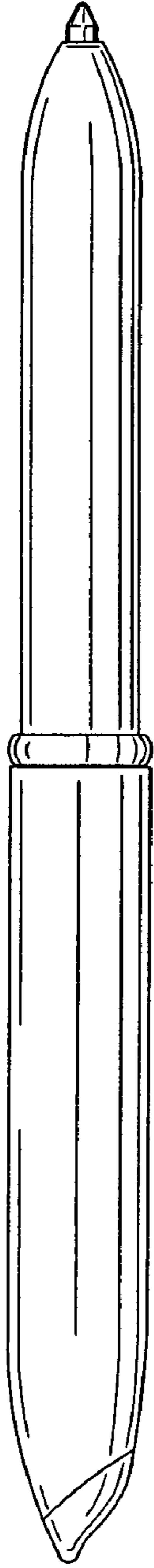
**FIG. 5**



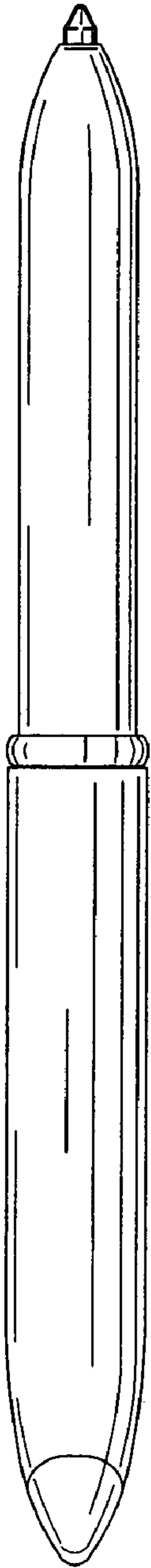
**FIG. 6**



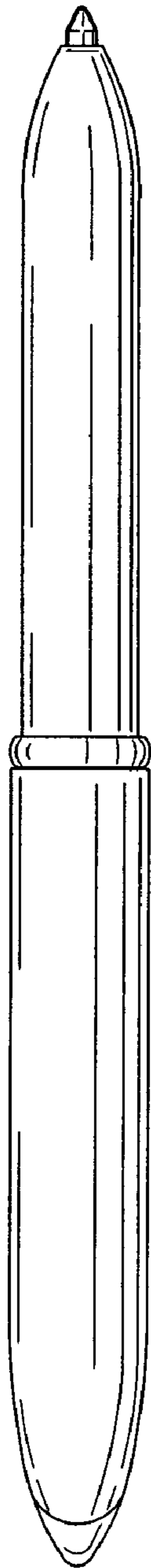
**FIG. 7**



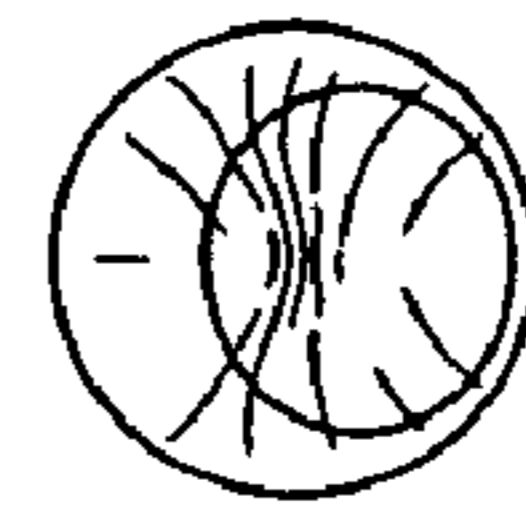
**FIG. 8**



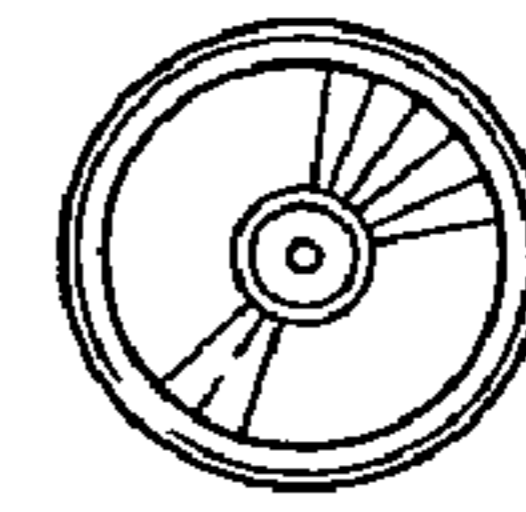
**FIG. 9**



**FIG. 10**



**FIG. 11**



**FIG. 12**