



US00D547796S

(12) **United States Design Patent**
Goss

(10) **Patent No.:** **US D547,796 S**

(45) **Date of Patent:** **** Jul. 31, 2007**

(54) **HOUSING**

(76) Inventor: **Duke W. Goss**, 127 10th St. South,
Suite 600, Kirkland, WA (US) 98033

(**) Term: **14 Years**

(21) Appl. No.: **29/252,143**

(22) Filed: **Jan. 18, 2006**

(51) **LOC (8) Cl.** **18-02**

(52) **U.S. Cl.** **D18/56**

(58) **Field of Classification Search** D18/36-39,
D18/56, 53-55, 99, 19, 50; 101/2, 5, 22,
101/23, 33, 41, 214, 364-366, 118, 127.1;
D8/71; D10/64; D6/407, 626; 234/25;
118/44; 38/36, 16, 17, 40

See application file for complete search history.

(56) **References Cited**

U.S. PATENT DOCUMENTS

4,300,296 A * 11/1981 Hochstrasser et al. 38/17
4,955,152 A * 9/1990 Davidson et al. 38/36
5,493,799 A * 2/1996 Foo 38/16

6,000,155 A * 12/1999 Kinser, Jr. 38/40
2005/0278984 A1 * 12/2005 Kenney 38/17

* cited by examiner

Primary Examiner—Ian Simmons

Assistant Examiner—Charles Hanson

(74) *Attorney, Agent, or Firm*—Delbert J. Barnard

(57) **CLAIM**

The ornamental design for a housing, as shown and described.

DESCRIPTION

FIG. 1 is a right perspective view of a housing according to my new design;

FIG. 2 is a front elevation view thereof;

FIG. 3 is a side elevation view thereof, the opposite side being a mirror image;

FIG. 4 is a rear elevation view thereof;

FIG. 5 is a top plan view thereof; and,

FIG. 6 is a bottom plan view thereof.

1 Claim, 3 Drawing Sheets

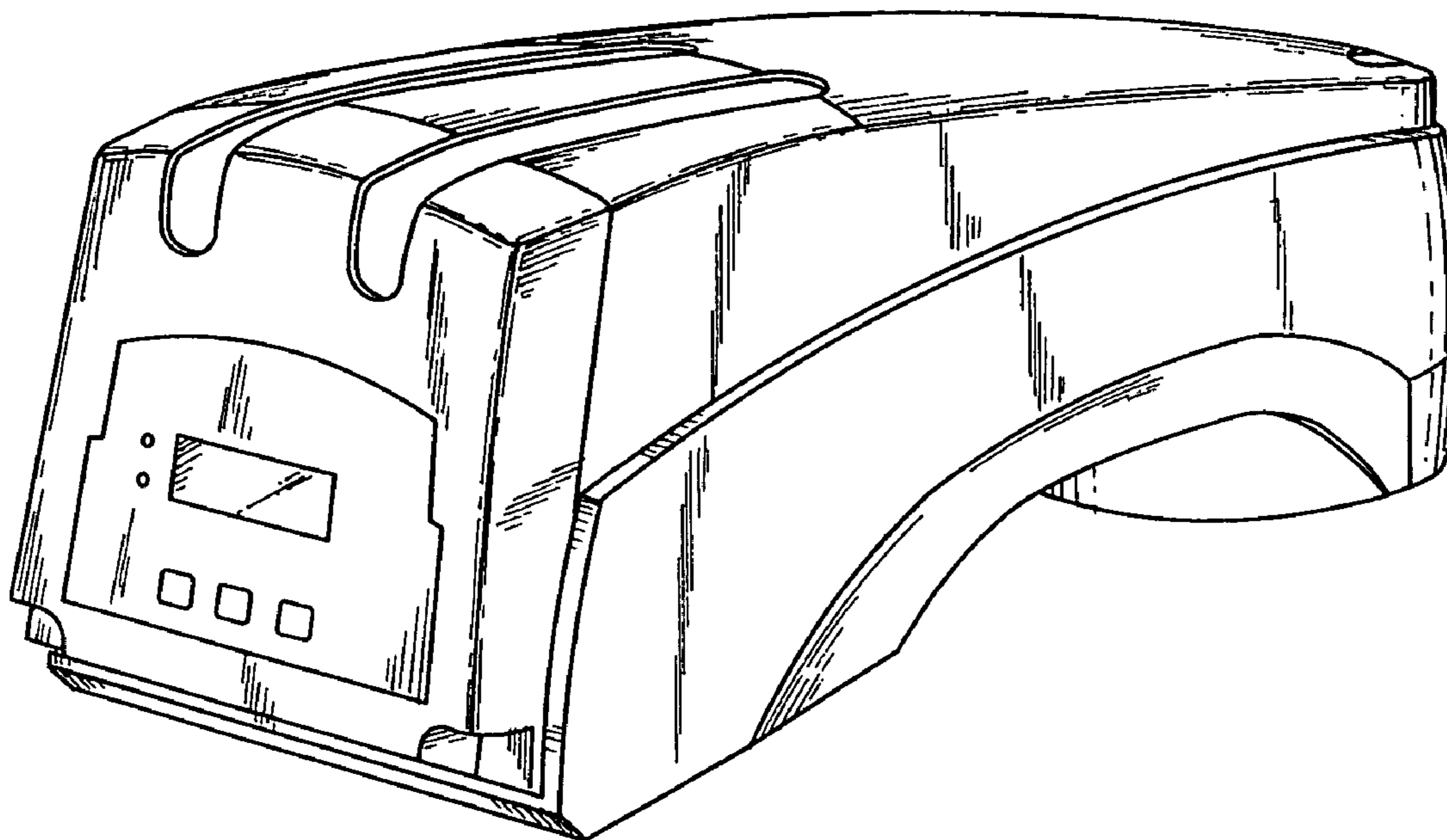


FIG.1

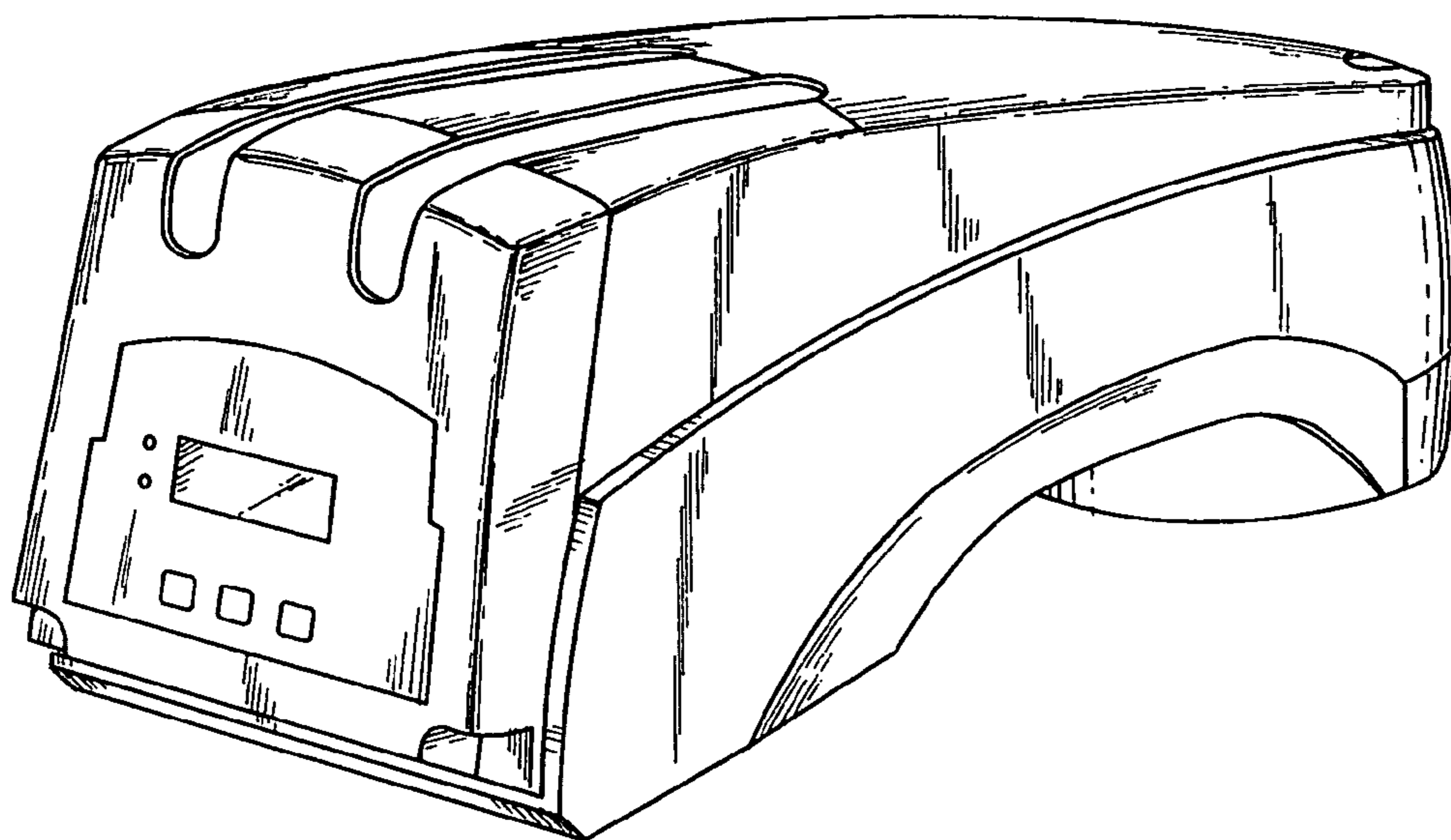


FIG.2

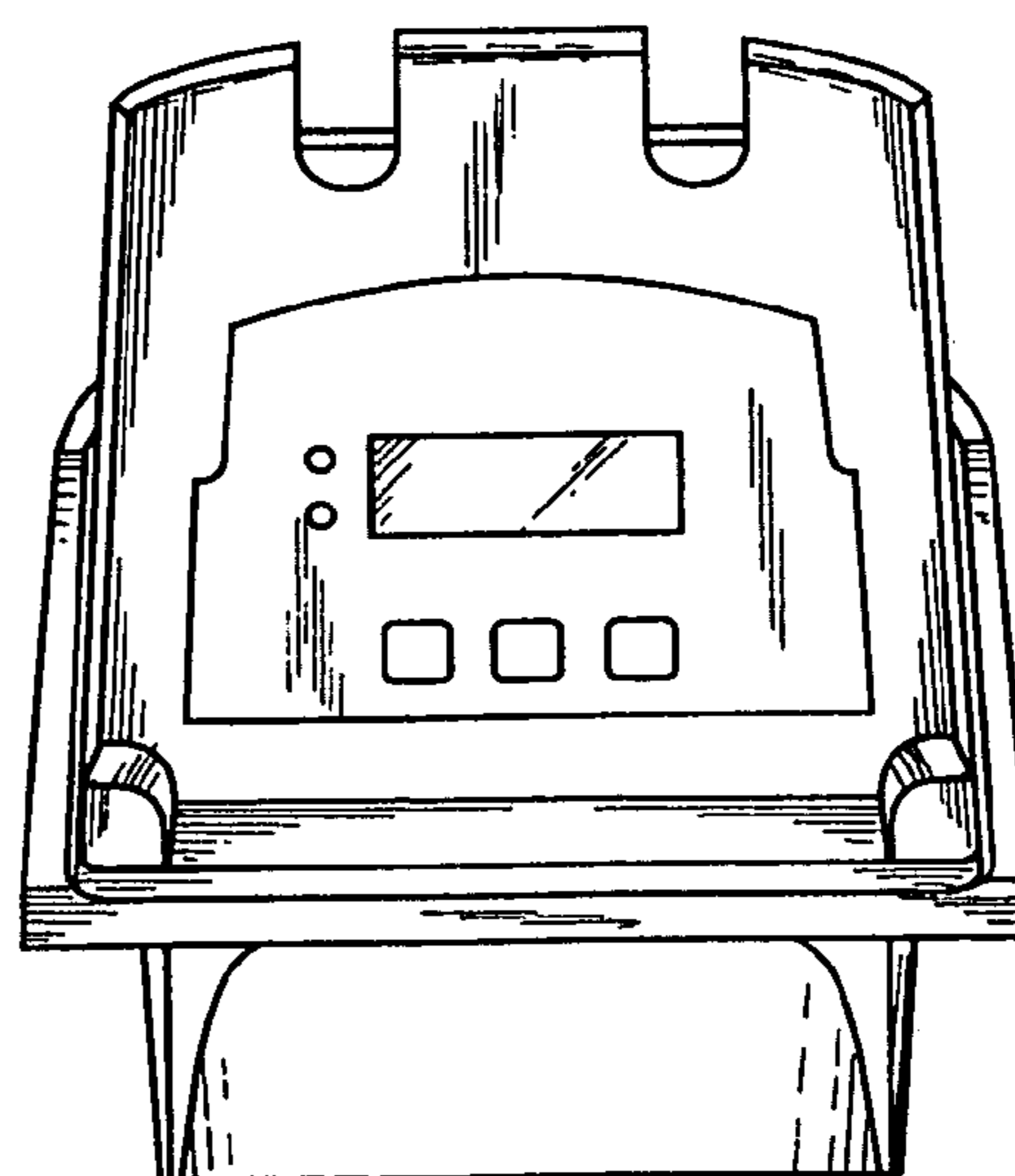


FIG. 3

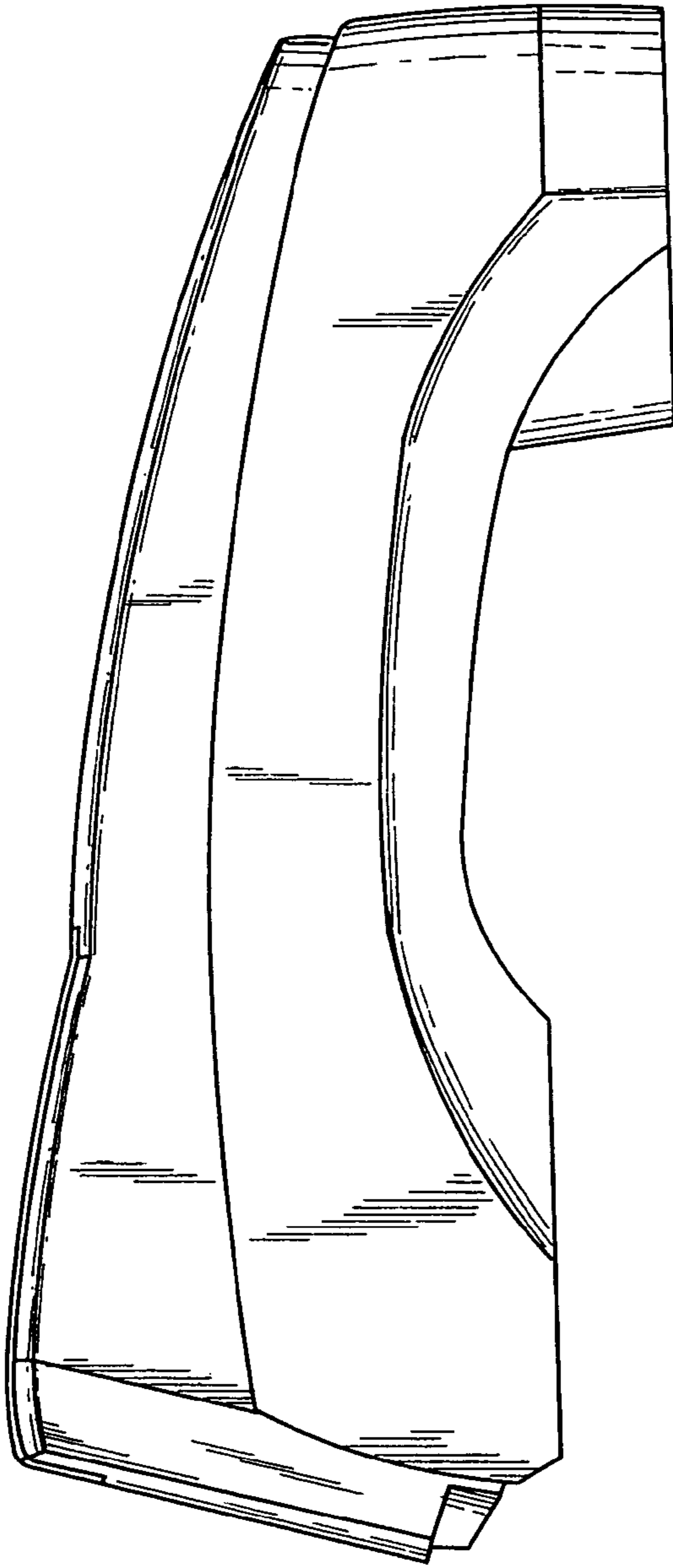
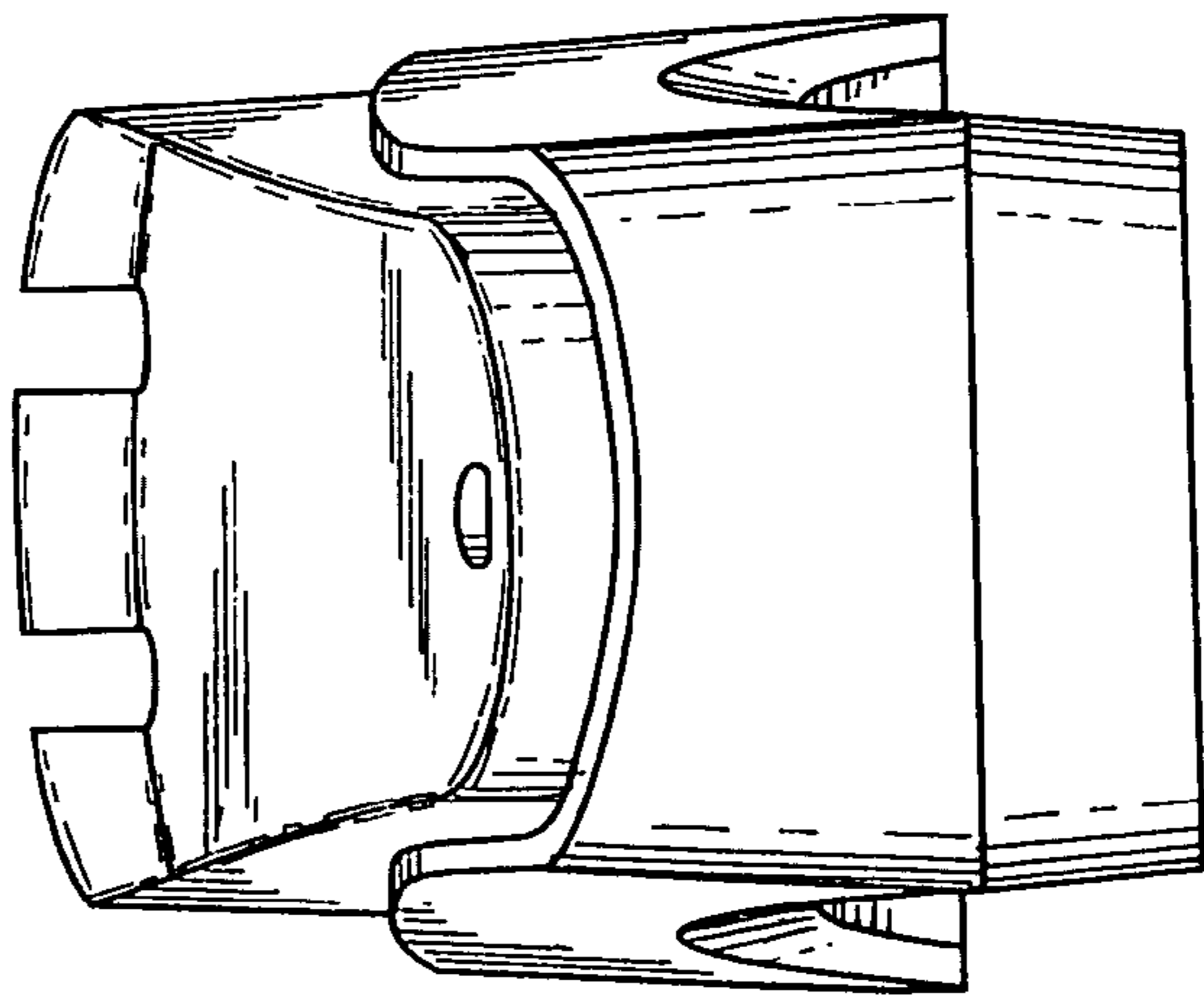


FIG. 4



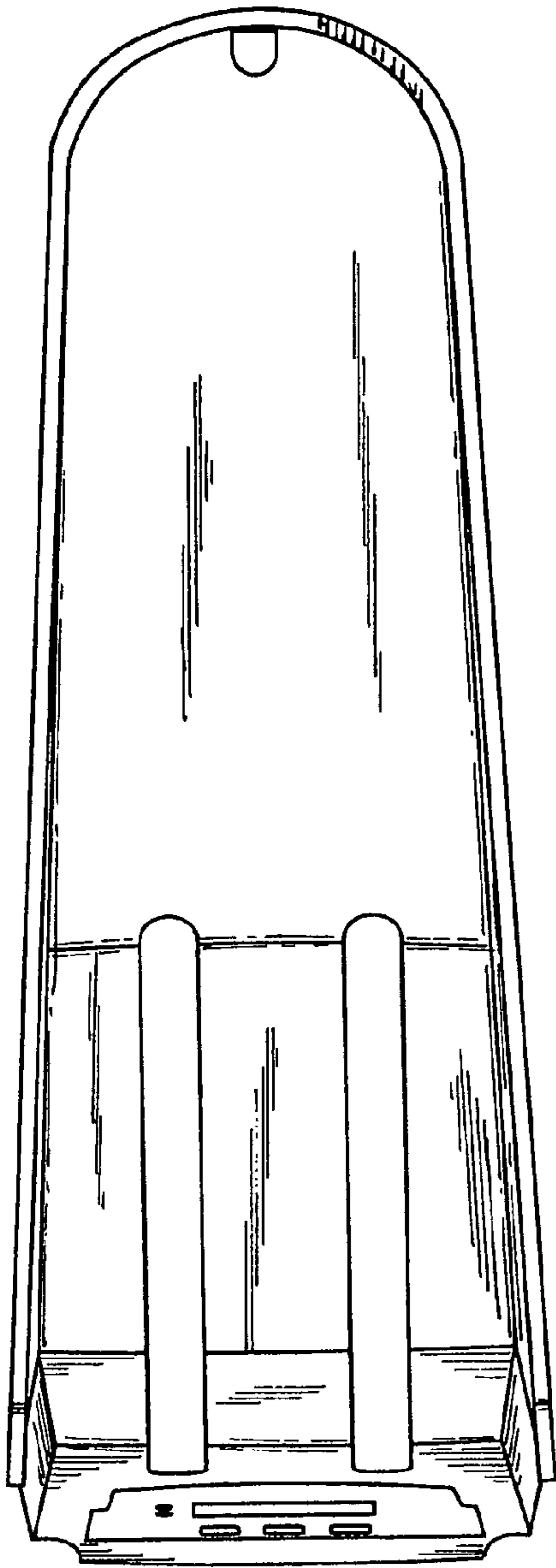


FIG. 5

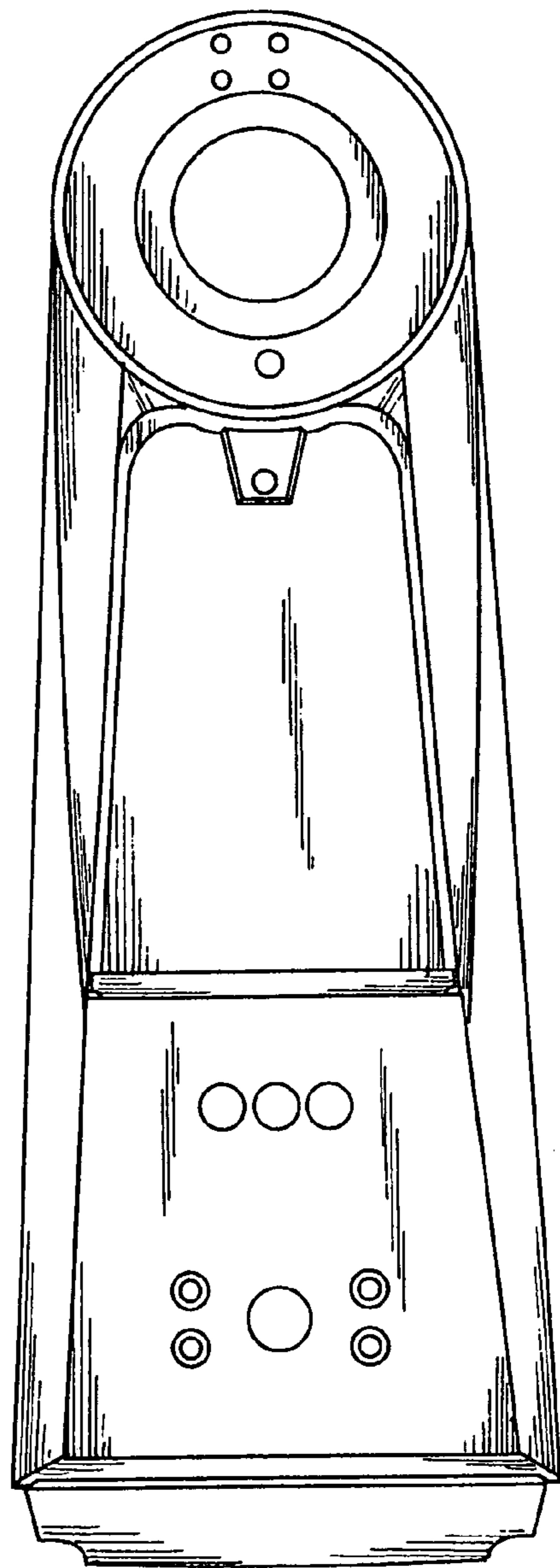


FIG. 6