



US00D547786S

(12) **United States Design Patent**
Tainaka

(10) **Patent No.:** **US D547,786 S**

(45) **Date of Patent:** **** Jul. 31, 2007**

(54) **SINGLE-LENS REFLEX DIGITAL CAMERA BODY**

D523,888 S * 6/2006 Funakoshi D16/202

(75) Inventor: **Daisuke Tainaka**, Hachioji (JP)

(73) Assignee: **Olympus Imaging Corp.**, Tokyo (JP)

(**) Term: **14 Years**

(21) Appl. No.: **29/245,583**

(22) Filed: **Dec. 23, 2005**

(30) **Foreign Application Priority Data**

Dec. 19, 2005 (JP) 2005-037258

(51) **LOC (8) Cl.** **16-01**

(52) **U.S. Cl.** **D16/217; D16/202**

(58) **Field of Classification Search** D16/200–204,
D16/208, 216, 217, 218; 348/373–376; 358/909.1;
396/354, 535, 536–541

See application file for complete search history.

(56) **References Cited**

U.S. PATENT DOCUMENTS

D442,203 S *	5/2001	Suzuki et al.	D16/202
D456,430 S *	4/2002	Kobayashi et al.	D16/202
6,463,222 B1 *	10/2002	Ito et al.	396/541
D484,156 S *	12/2003	Tanio	D16/202
D487,105 S *	2/2004	Takahashi	D16/217
D514,610 S *	2/2006	Urushihata	D16/202
D515,120 S *	2/2006	Funakoshi	D16/202
D520,544 S *	5/2006	Senda	D16/202

OTHER PUBLICATIONS

“Designed Exclusively For Use With Digital Camera-Single-Lens Reflex Camera E-300 (Radio Newspaper H16. 9. 29 p. 19 with photographed pictures)”.

* cited by examiner

Primary Examiner—Adir Aronovich

(74) *Attorney, Agent, or Firm*—Hogan & Hartson LLP

(57) **CLAIM**

The ornamental design for a single-lens reflex digital camera body, as shown and described.

DESCRIPTION

FIG. 1 is a front, top and right side perspective view of a single-lens reflex digital camera body showing my new design;

FIG. 2 is a rear, bottom and left side perspective view thereof;

FIG. 3 is a front elevational view thereof;

FIG. 4 is a rear elevational view thereof;

FIG. 5 is a top plan view thereof;

FIG. 6 is a bottom plan view thereof;

FIG. 7 is a right side elevational view thereof; and,

FIG. 8 is a left side elevational view thereof.

1 Claim, 5 Drawing Sheets

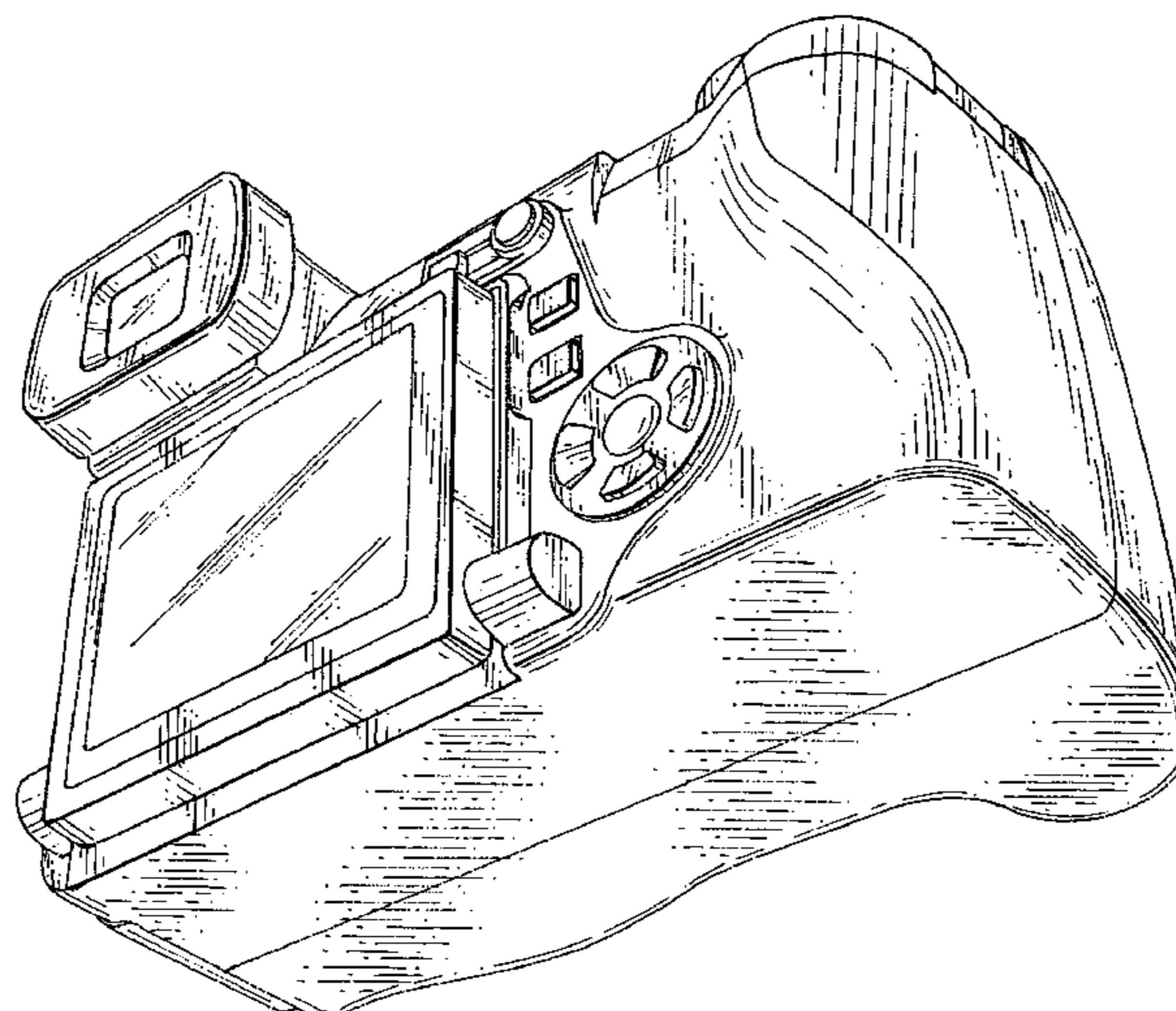
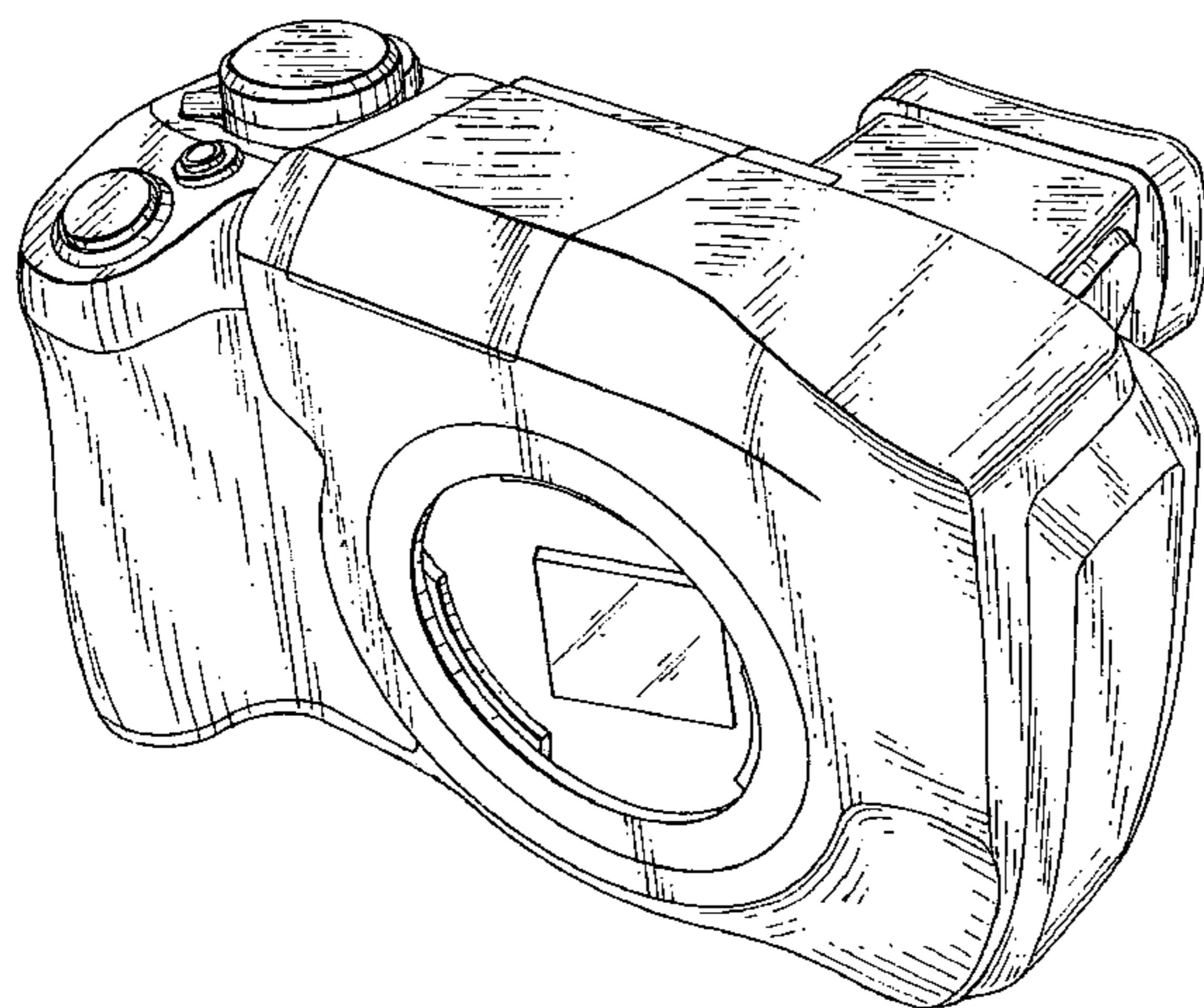


FIG. 1

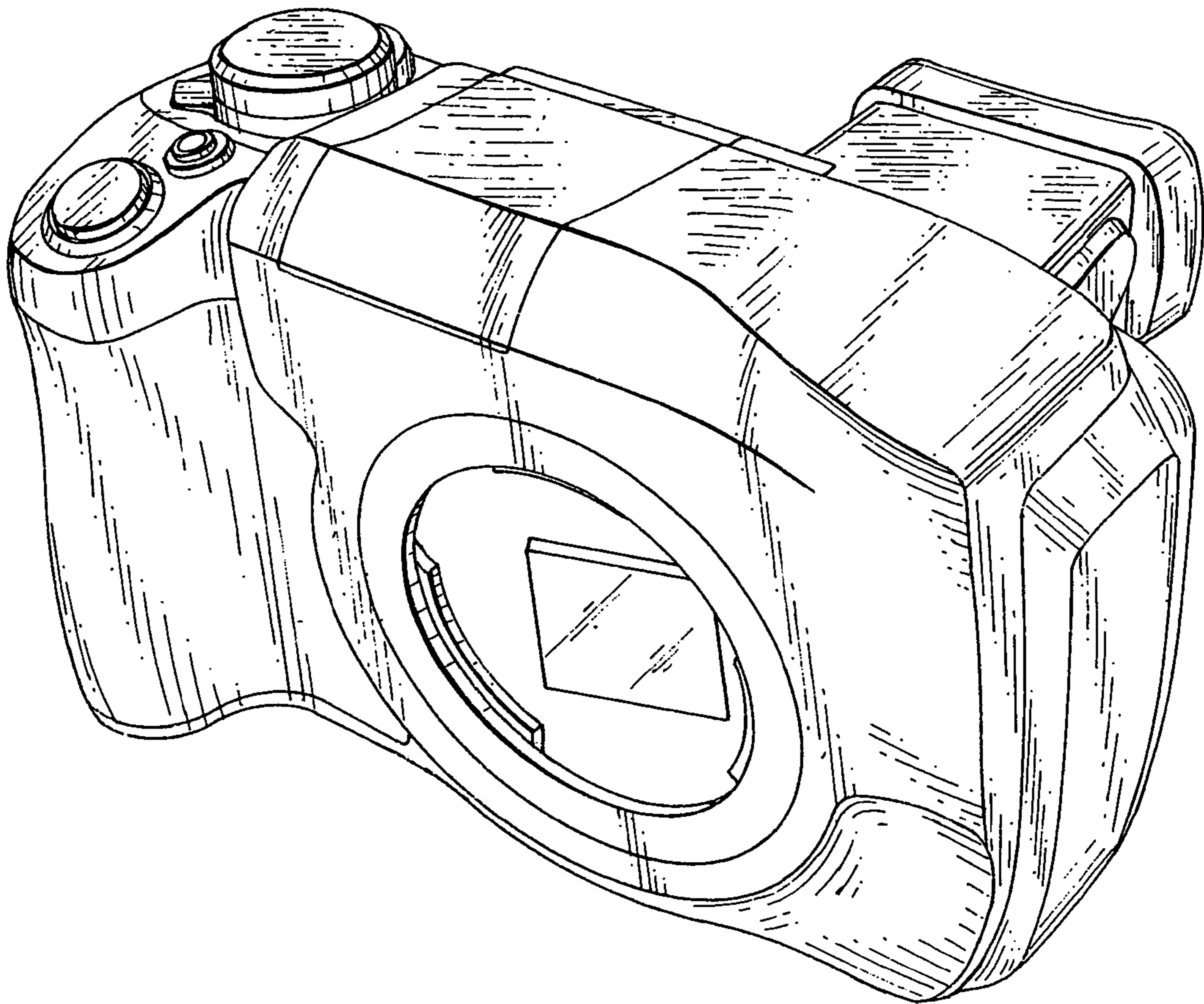


FIG. 2

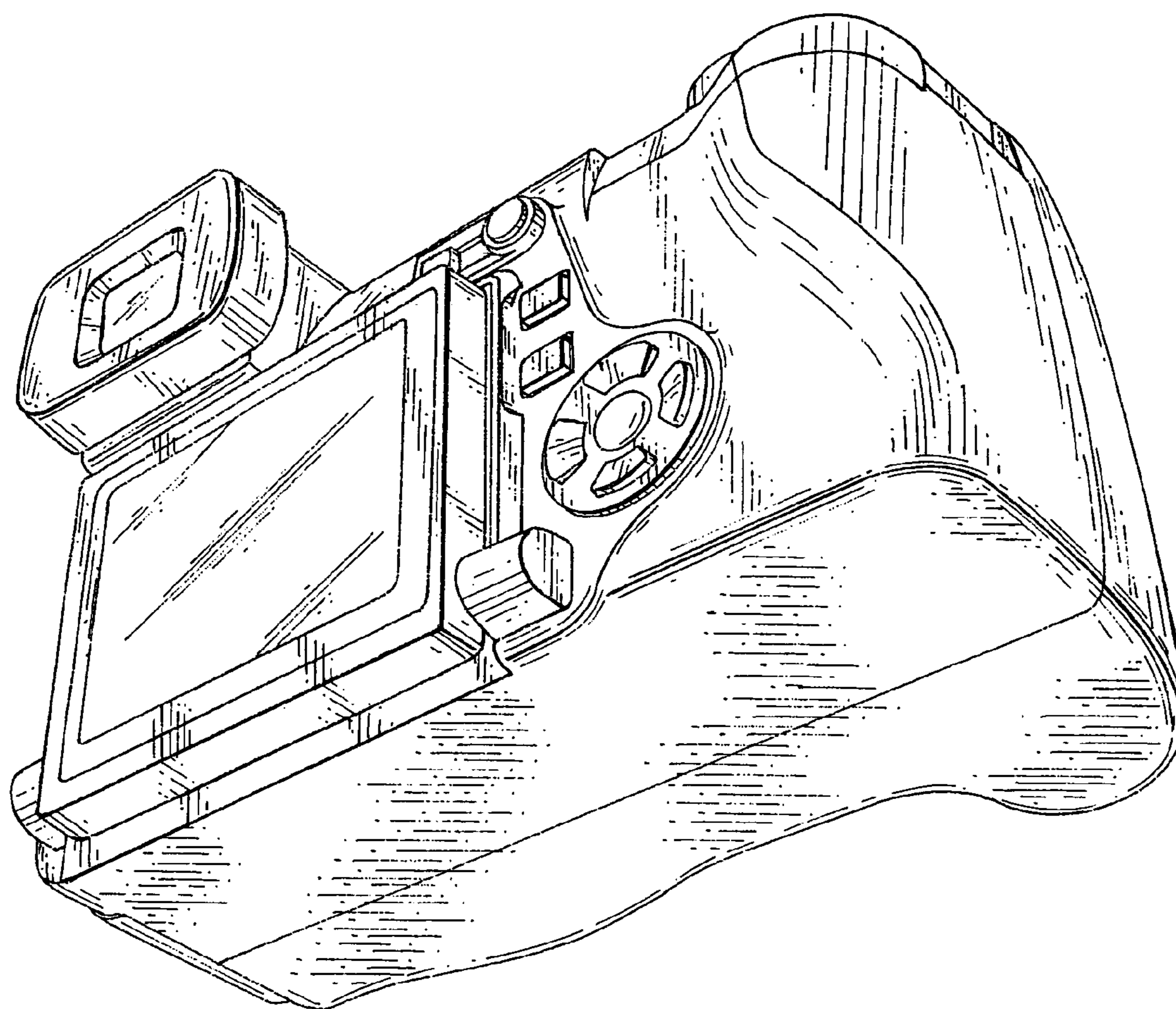


FIG. 3

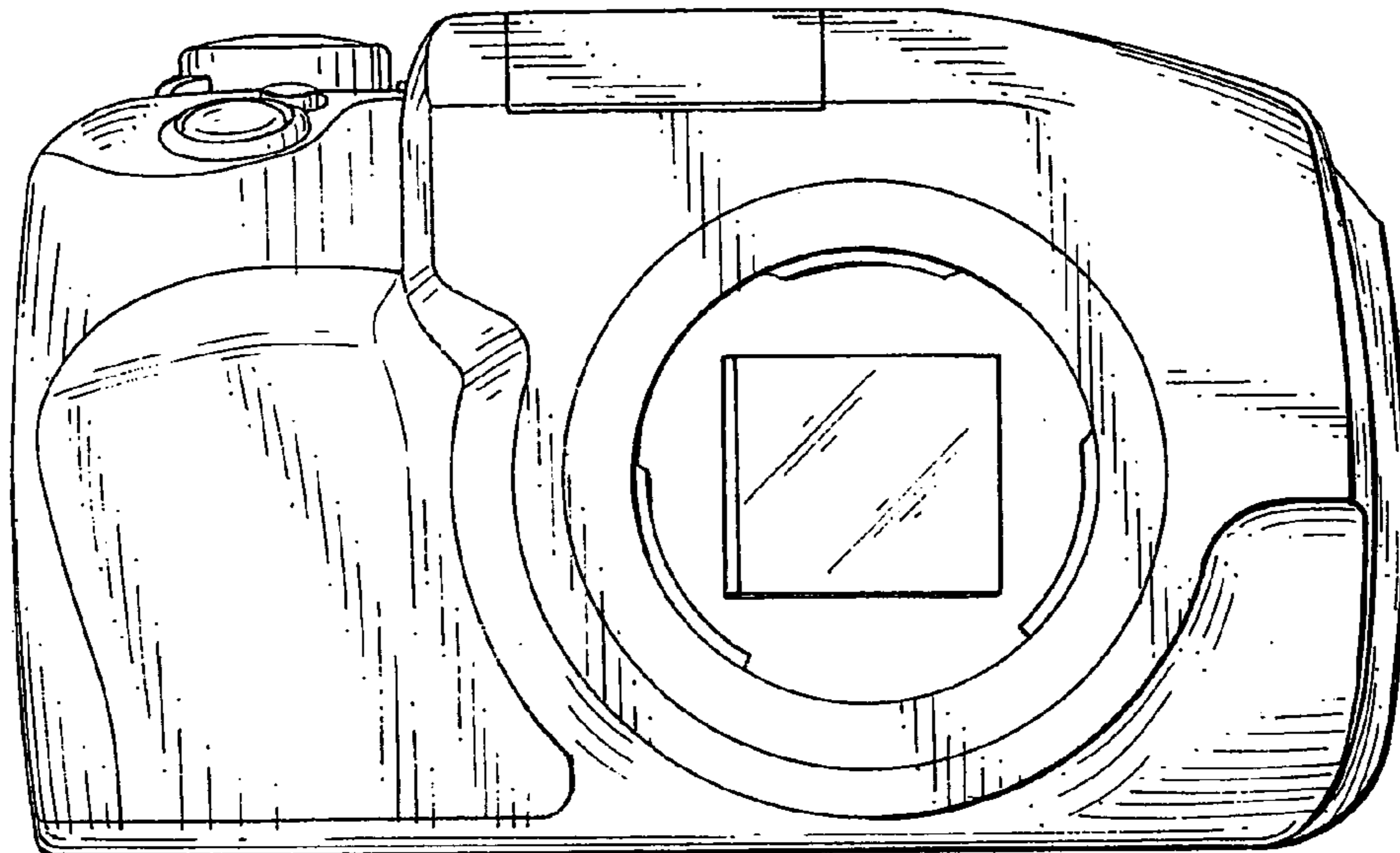


FIG. 4

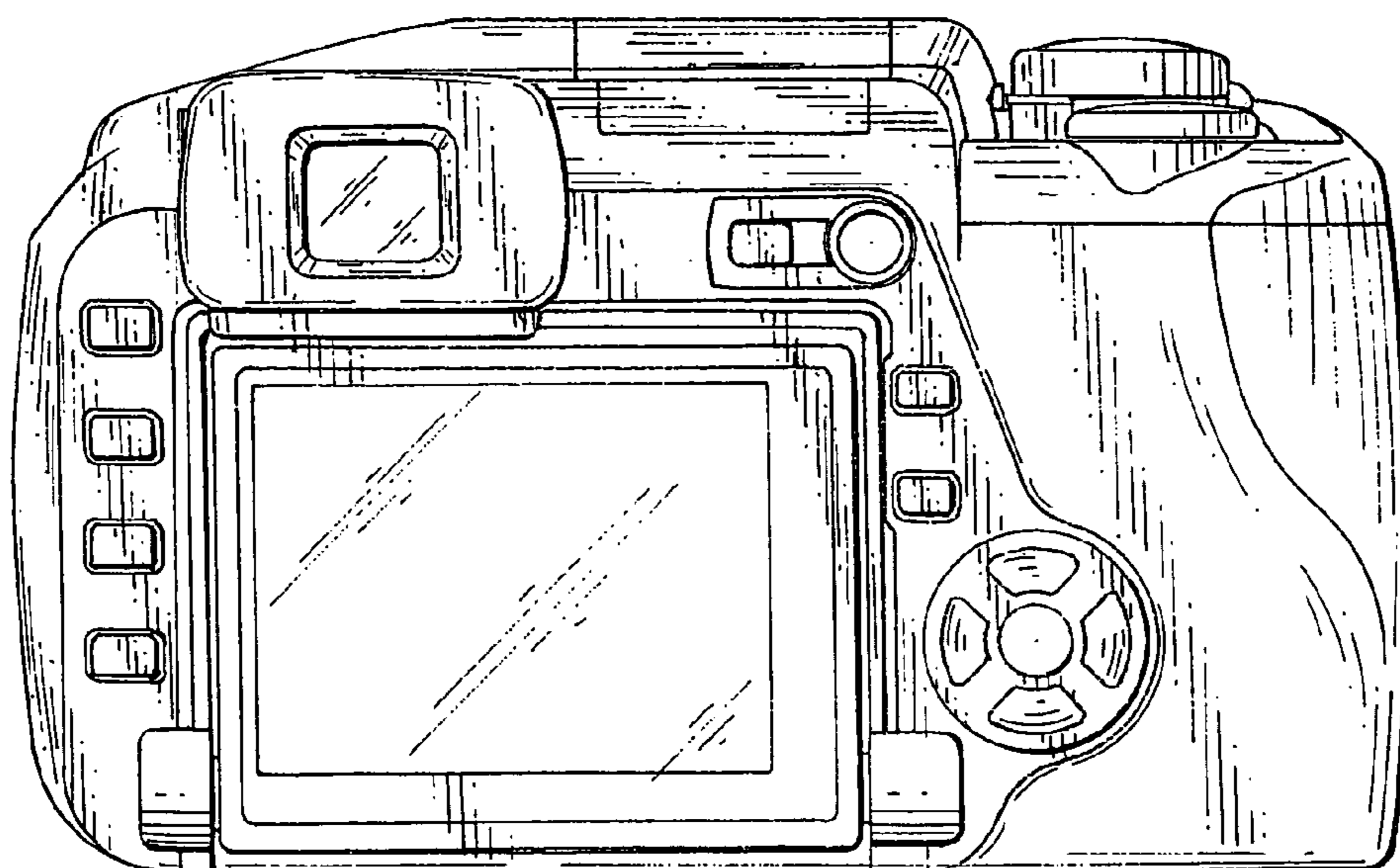


FIG. 5

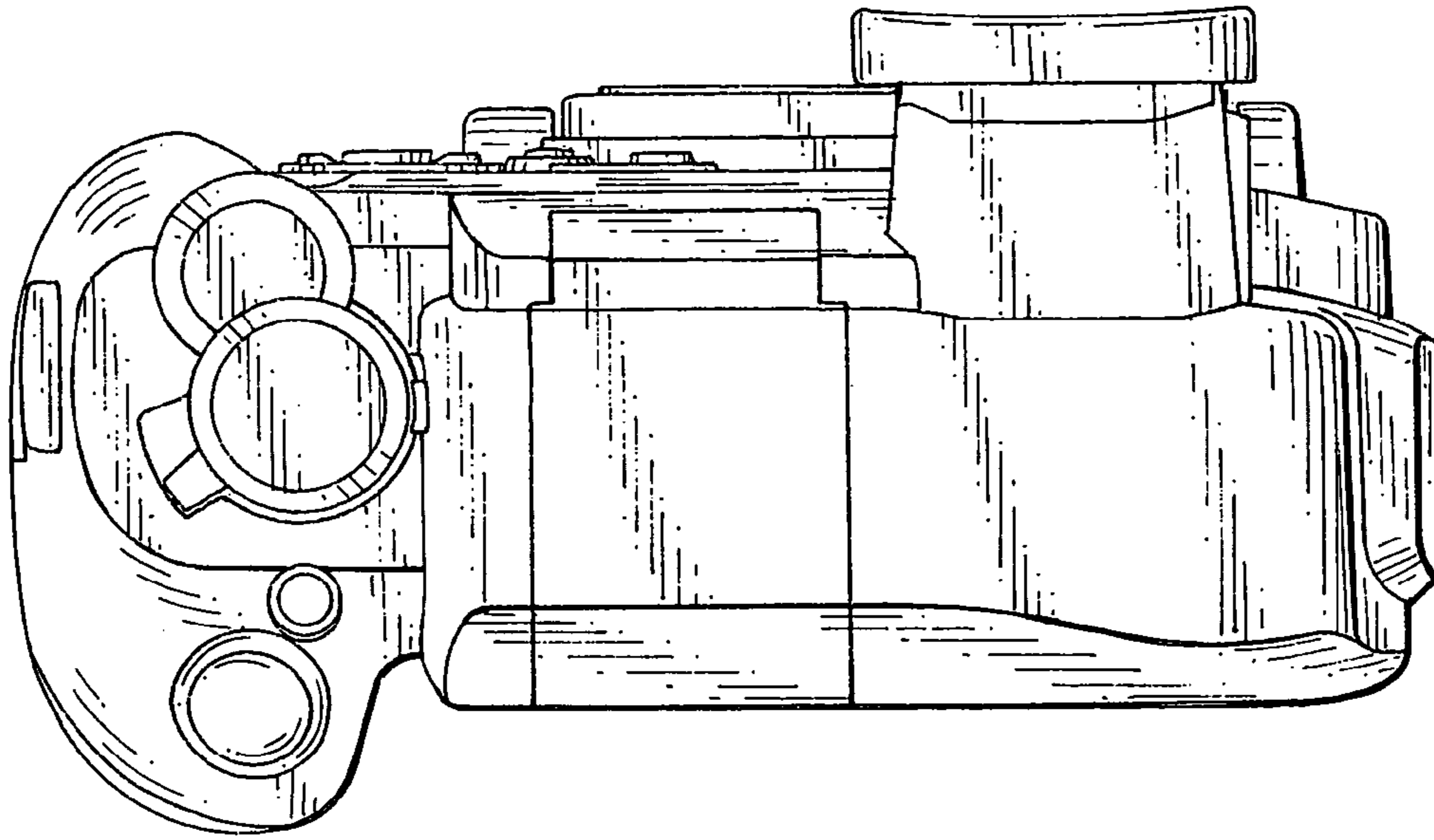


FIG. 6

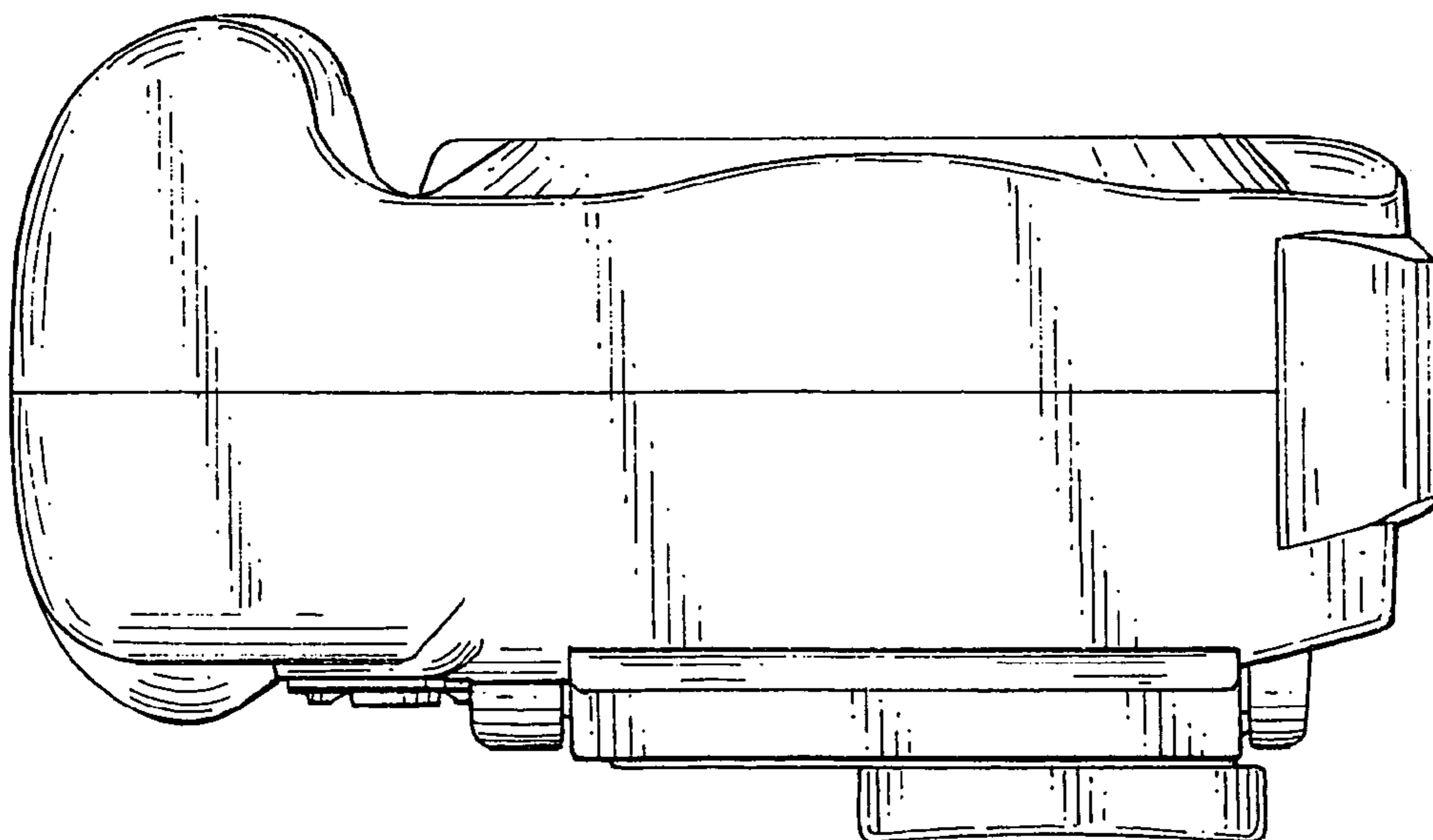


FIG. 7

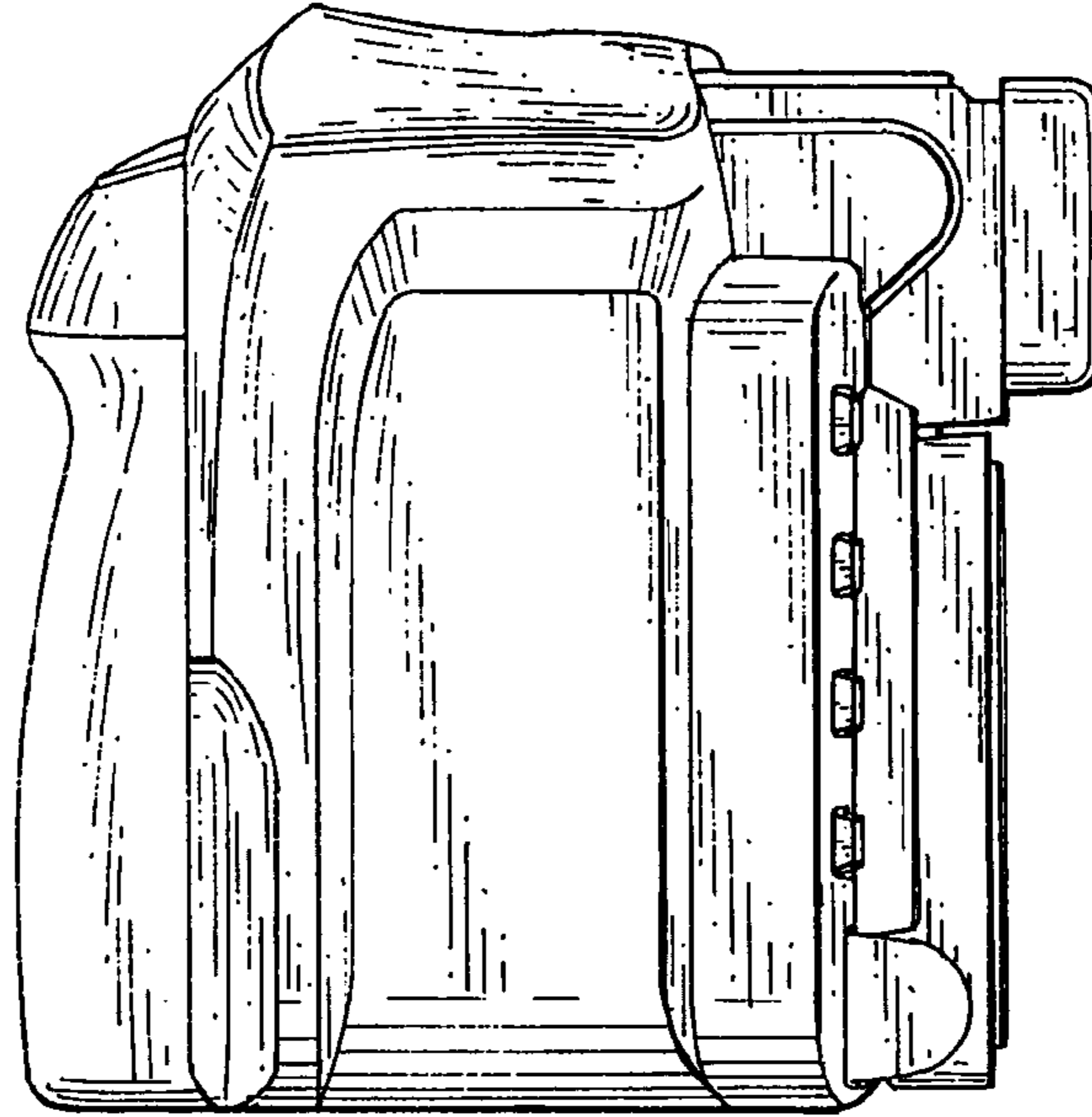


FIG. 8

