

US00D547785S

(12) **United States Design Patent**
Oe

(10) **Patent No.:** **US D547,785 S**

(45) **Date of Patent:** **** Jul. 31, 2007**

(54) **DIGITAL CAMERA**

(75) Inventor: **Yasuhiro Oe**, Osaka (JP)

(73) Assignee: **Sanyo Electric Co., Ltd.**, Osaka (JP)

(**) Term: **14 Years**

(21) Appl. No.: **29/245,942**

(22) Filed: **Dec. 30, 2005**

(30) **Foreign Application Priority Data**

Jul. 21, 2005 (JP) 2005-021256

(51) **LOC (8) Cl.** **16-01**

(52) **U.S. Cl.** **D16/202**

(58) **Field of Classification Search** D16/200–206,
D16/208, 218; 348/373–376; 358/906;
396/535–541

See application file for complete search history.

(56) **References Cited**

U.S. PATENT DOCUMENTS

D407,097 S *	3/1999	Suzuki et al.	D16/205
D499,437 S *	12/2004	Miyamori et al.	D16/202
D503,731 S *	4/2005	Kinemura et al.	D16/202
6,912,005 B2 *	6/2005	Senda 348/333.06	
D515,605 S *	2/2006	Hayashi et al.	D16/202
D520,044 S *	5/2006	Chung et al.	D16/202
D528,141 S *	9/2006	Kinemura et al.	D16/202

FOREIGN PATENT DOCUMENTS

JP D1068591 * 5/2000

JP	D1164773 S	2/2003
JP	D1195577 S	1/2004
JP	D1196146 S	2/2004
JP	D1198208 S	2/2004
JP	D1227159 S	1/2005
JP	D1228745 S	1/2005
JP	D1242358 S	6/2005

* cited by examiner

Primary Examiner—Adir Aronovich

(74) *Attorney, Agent, or Firm*—Darby & Darby

(57) **CLAIM**

The ornamental design for a digital camera, as shown and described.

DESCRIPTION

FIG. 1 is a front, top, right-side perspective view of my new design for a digital camera;

FIG. 2 is a front, top, right-side perspective view thereof with display pivoted outwardly and the flash up;

FIG. 3 is a front elevation view thereof;

FIG. 4 is a right-side, elevation view thereof;

FIG. 5 is a rear elevation view thereof;

FIG. 6 is a left-side, elevation view thereof;

FIG. 7 is a bottom plan view thereof; and,

FIG. 8 is a top plan view thereof.

1 Claim, 3 Drawing Sheets

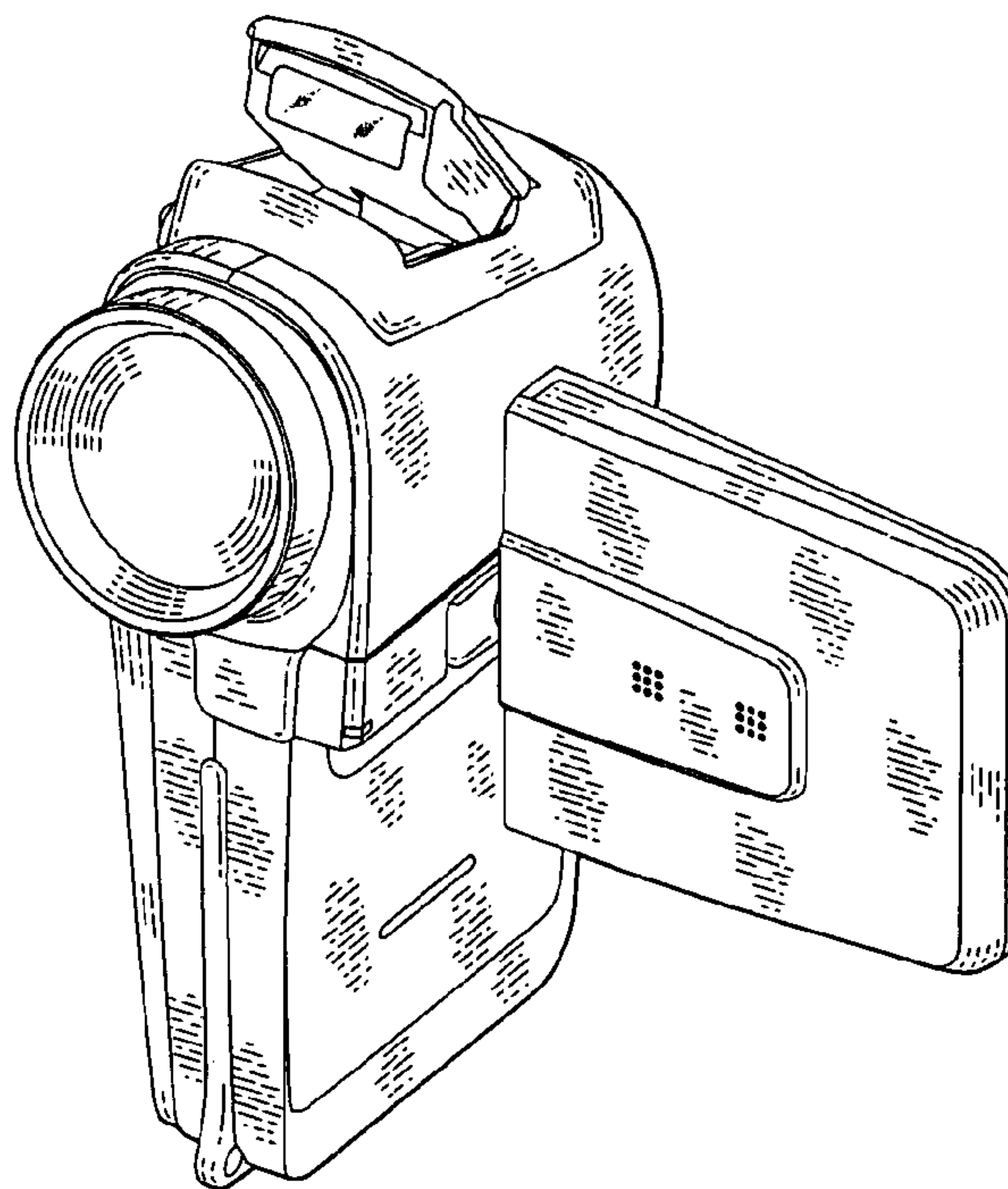
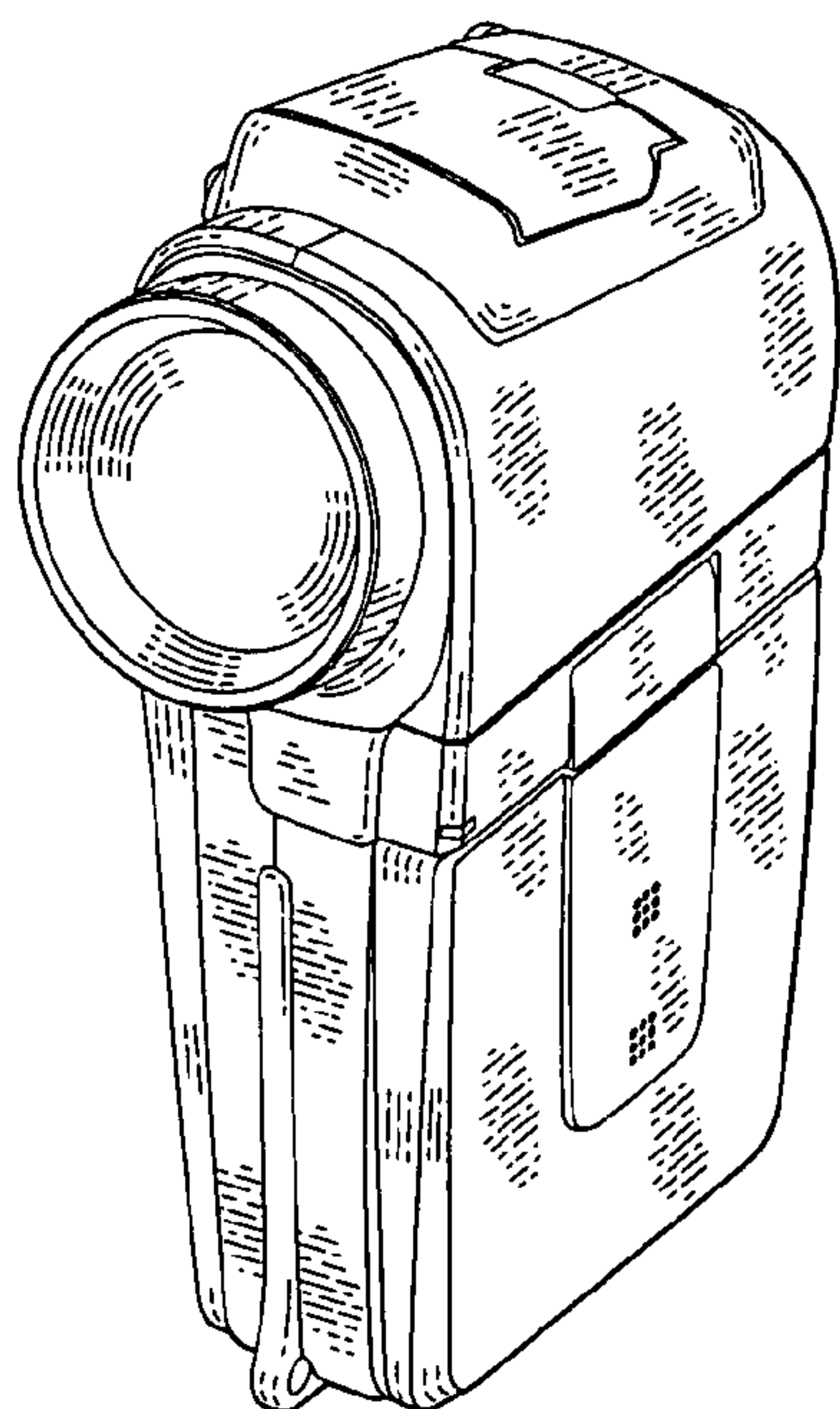


FIG.2

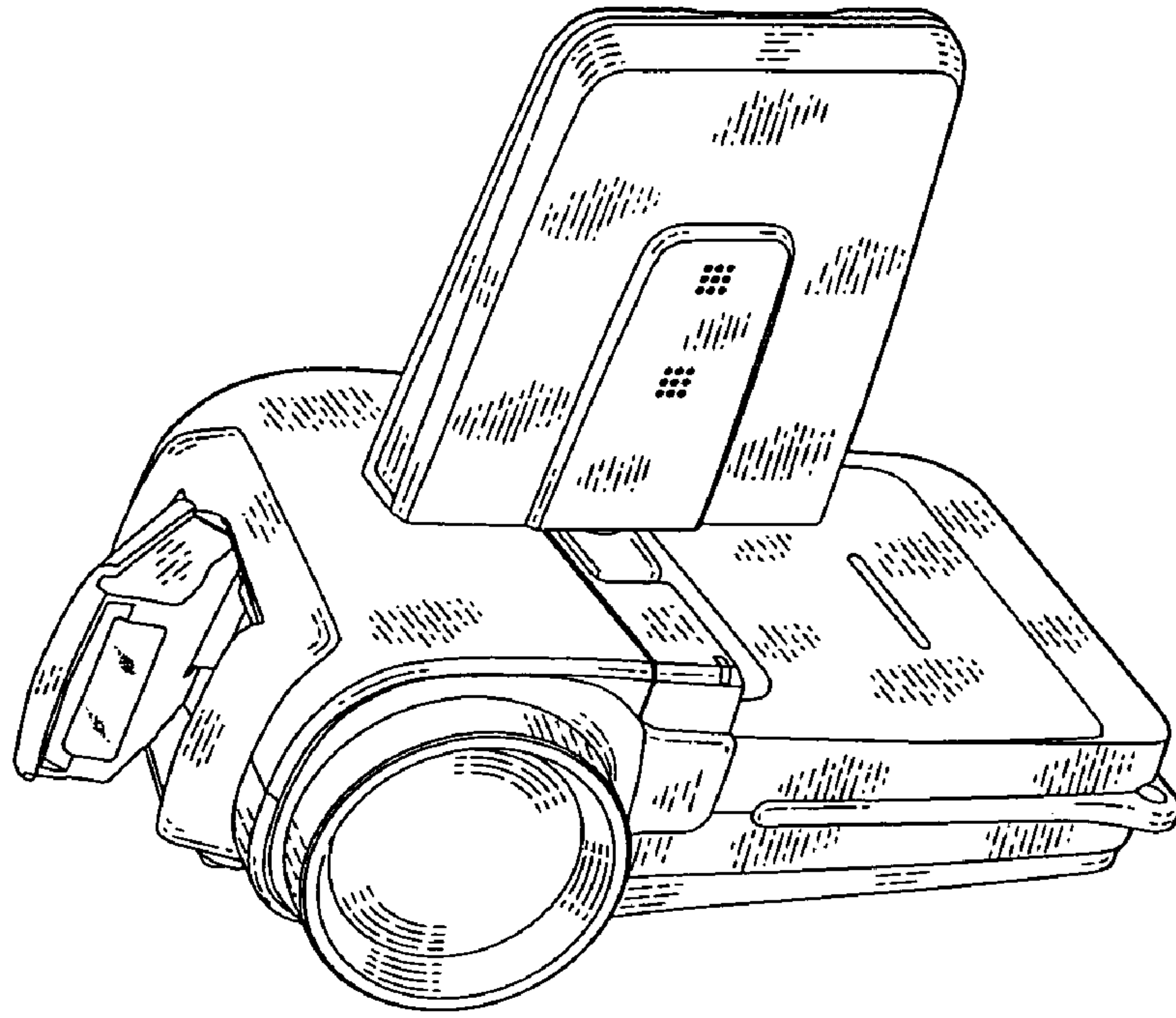


FIG.1

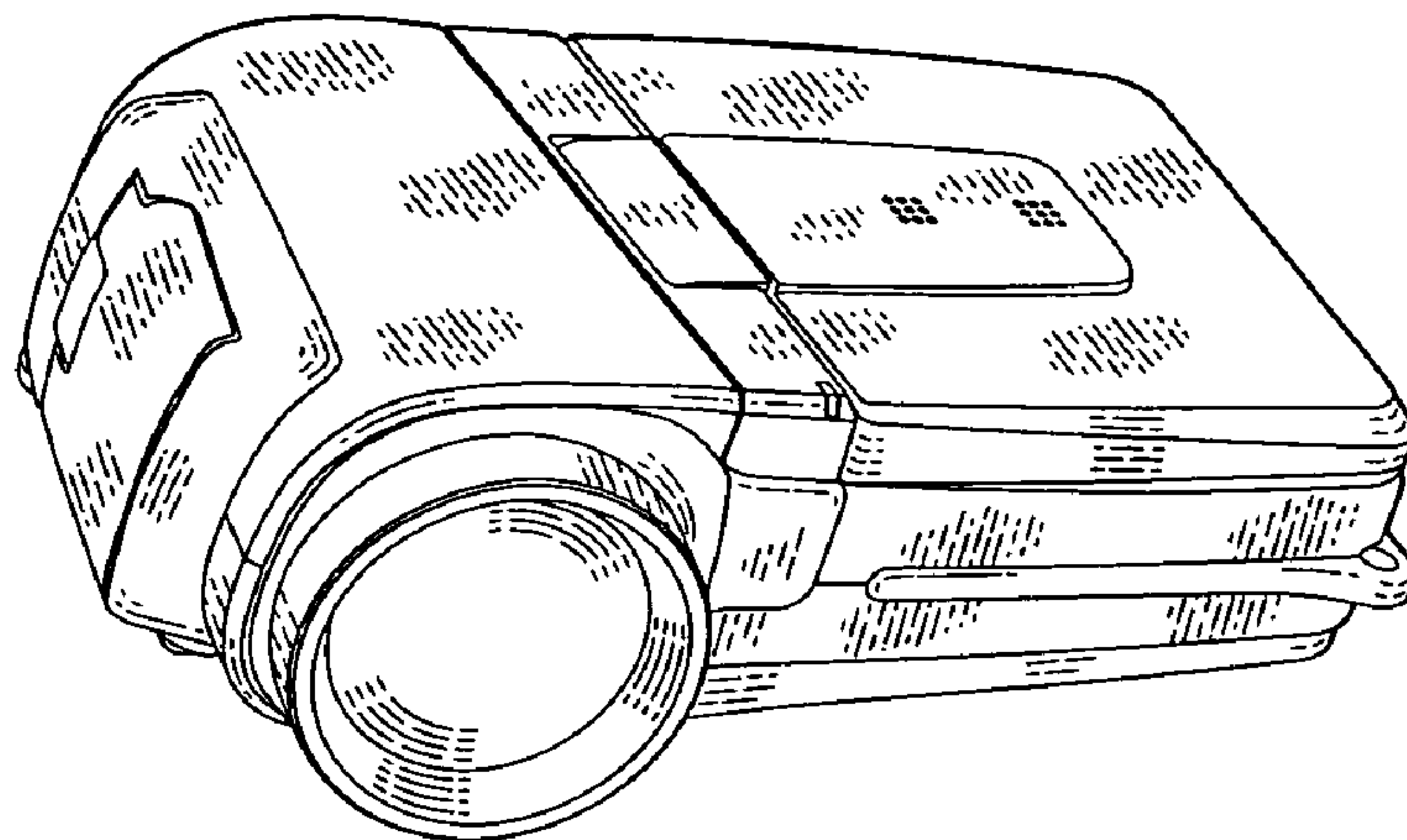


FIG.3

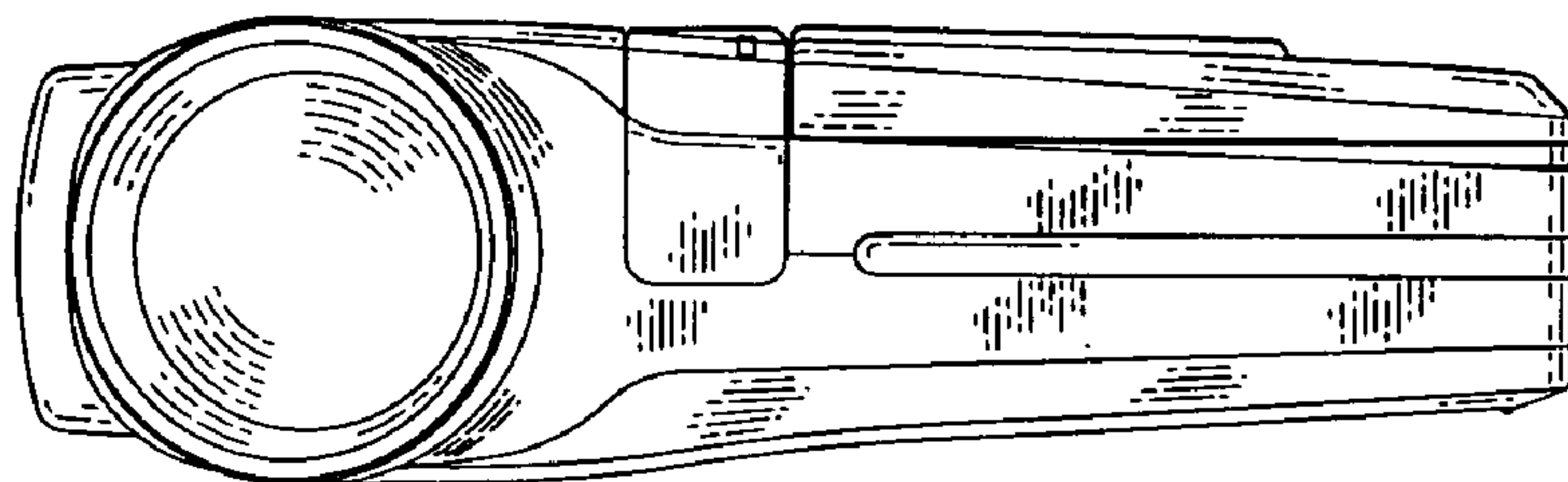


FIG.4

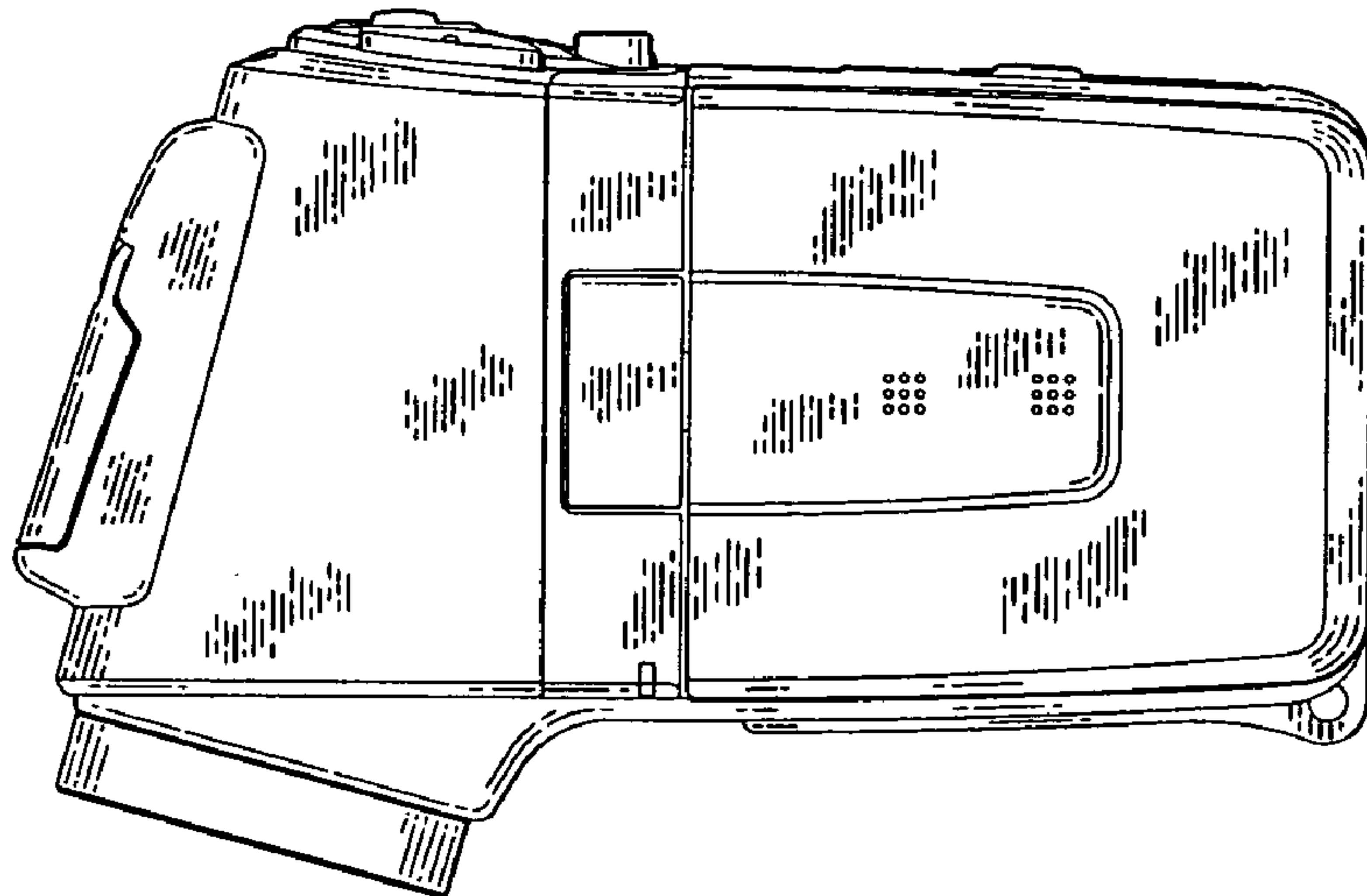


FIG.5

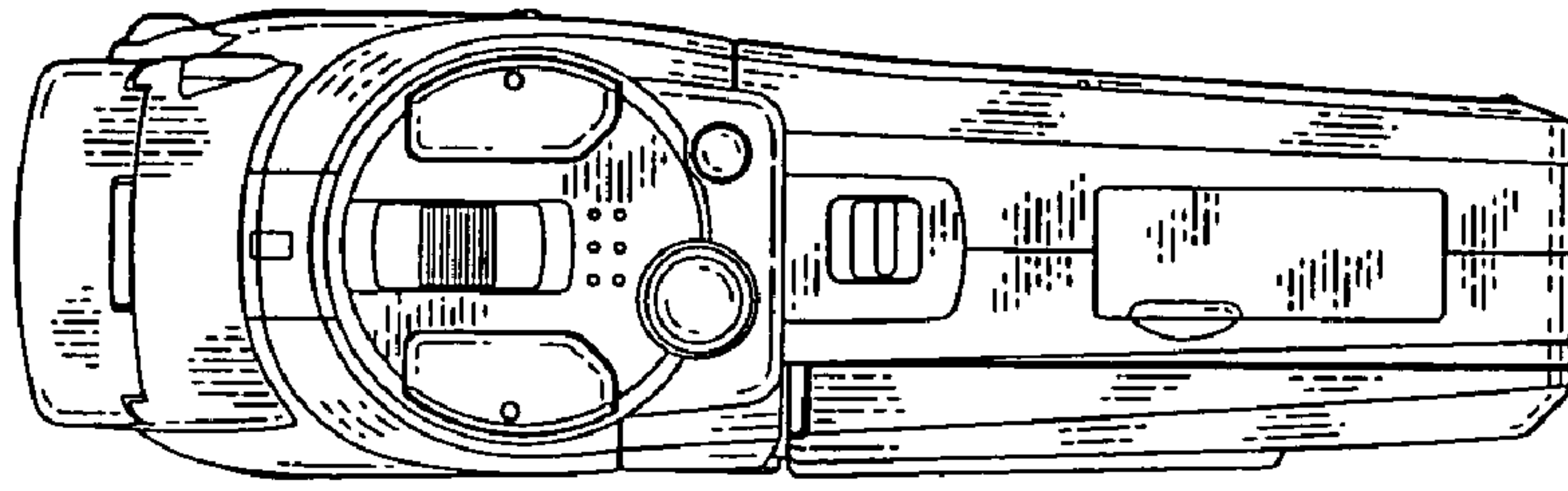


FIG.8

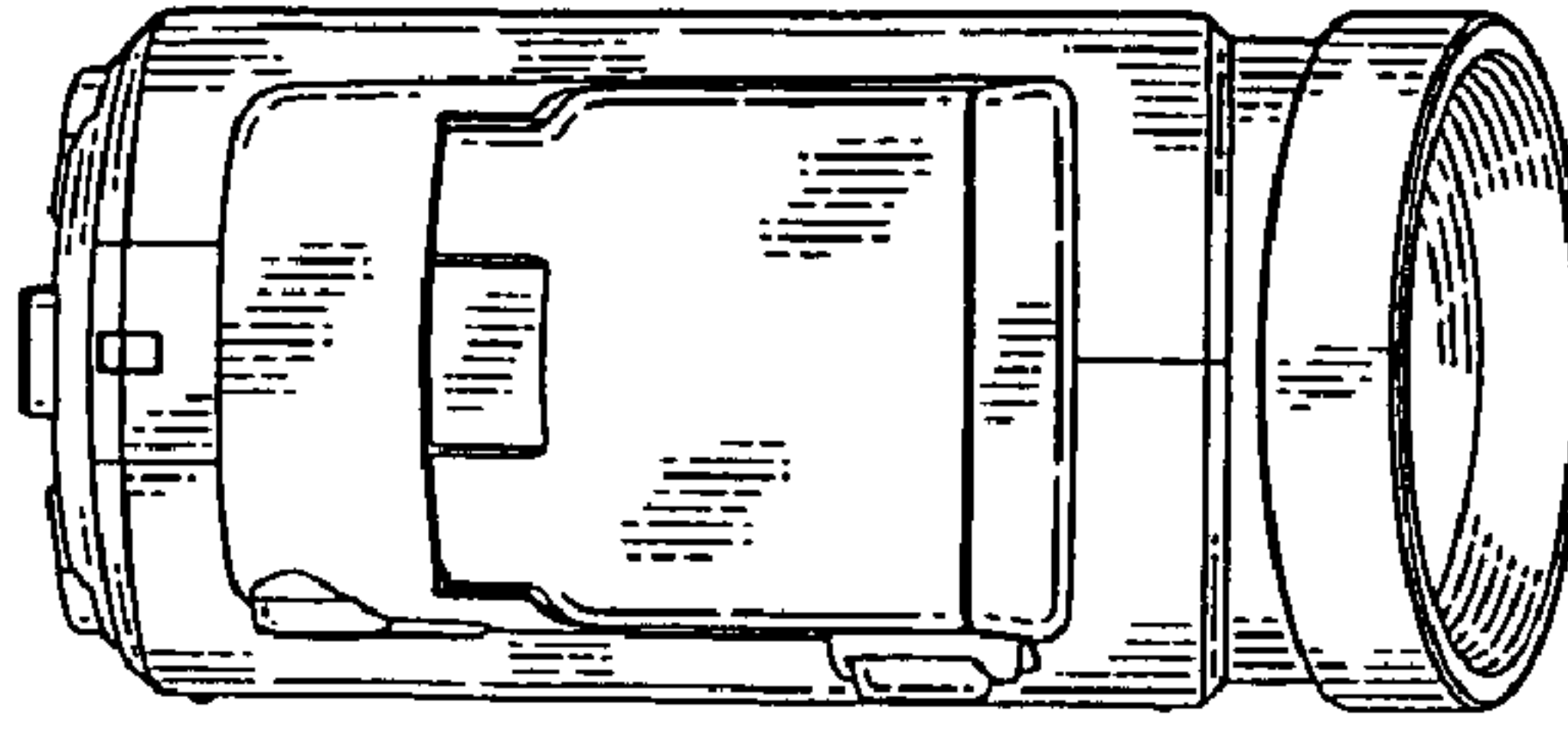


FIG.7

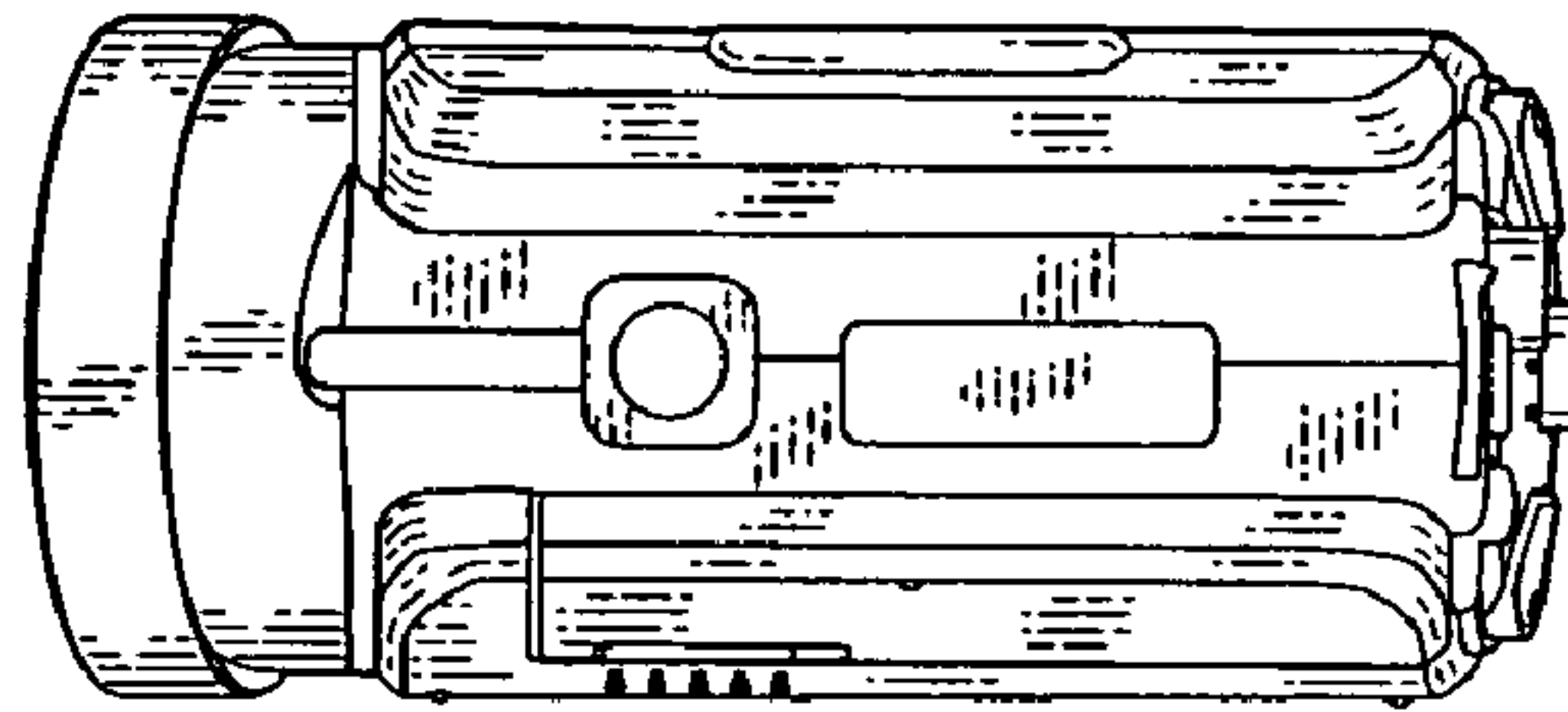


FIG.6

