



US00D547782S

(12) **United States Design Patent**
Sato

(10) **Patent No.:** **US D547,782 S**

(45) **Date of Patent:** **** Jul. 31, 2007**

(54) **ELECTRONIC CAMERA**

D520,544 S * 5/2006 Senda D16/202
D523,888 S * 6/2006 Funakoshi D16/202
D532,031 S * 11/2006 Hayashi D16/208

(75) Inventor: **Jun Sato**, Tokyo (JP)

(73) Assignee: **Fuji Photo Film Co., Ltd.**, Kanagawa (JP)

* cited by examiner

Primary Examiner—Adir Aronovich
(74) *Attorney, Agent, or Firm*—Young & Thompson

(**) Term: **14 Years**

(21) Appl. No.: **29/245,106**

(57) **CLAIM**

(22) Filed: **Dec. 20, 2005**

The ornamental design for an electronic camera, as shown and described.

(30) **Foreign Application Priority Data**

Jun. 27, 2005 (JP) 2005-018587

DESCRIPTION

(51) **LOC (8) Cl.** **16-01**

FIG. 1 is a top, front and side perspective view of an electronic camera showing my new design;

(52) **U.S. Cl.** **D16/202; D16/206**

FIG. 2 is a front elevational view thereof;

(58) **Field of Classification Search** D16/200–205,
D16/206, 208, 209, 218; 348/373–376; 358/909.1;
396/535–541

FIG. 3 is a rear elevational view thereof;

See application file for complete search history.

FIG. 4 is a top plan view thereof;

FIG. 5 is a bottom plan view thereof;

(56) **References Cited**

U.S. PATENT DOCUMENTS

4,924,248 A * 5/1990 Taniguchi et al. 396/60
D418,851 S * 1/2000 Goto et al. D16/202
D424,085 S * 5/2000 Naito D16/202
D441,001 S * 4/2001 Naito D16/218
D456,430 S * 4/2002 Kobayashi et al. D16/202
D513,027 S 12/2005 Katayama D16/202

FIG. 6 is a side elevational view thereof from the left of FIG. 2;

FIG. 7 is a side elevational view thereof from the right of FIG. 2; and,

FIG. 8 is a view similar to FIG. 1 but with the parts in a different position.

1 Claim, 4 Drawing Sheets

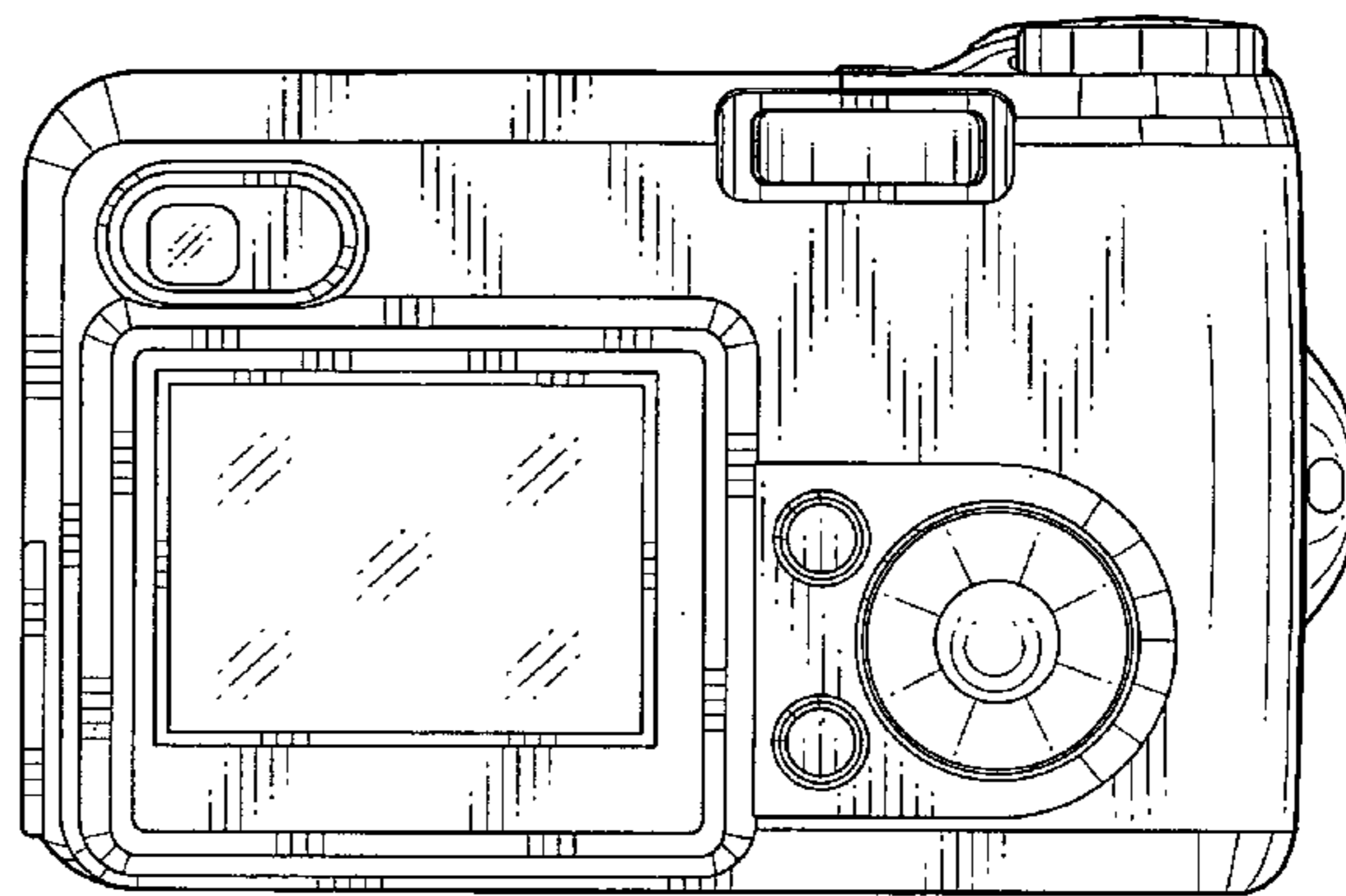
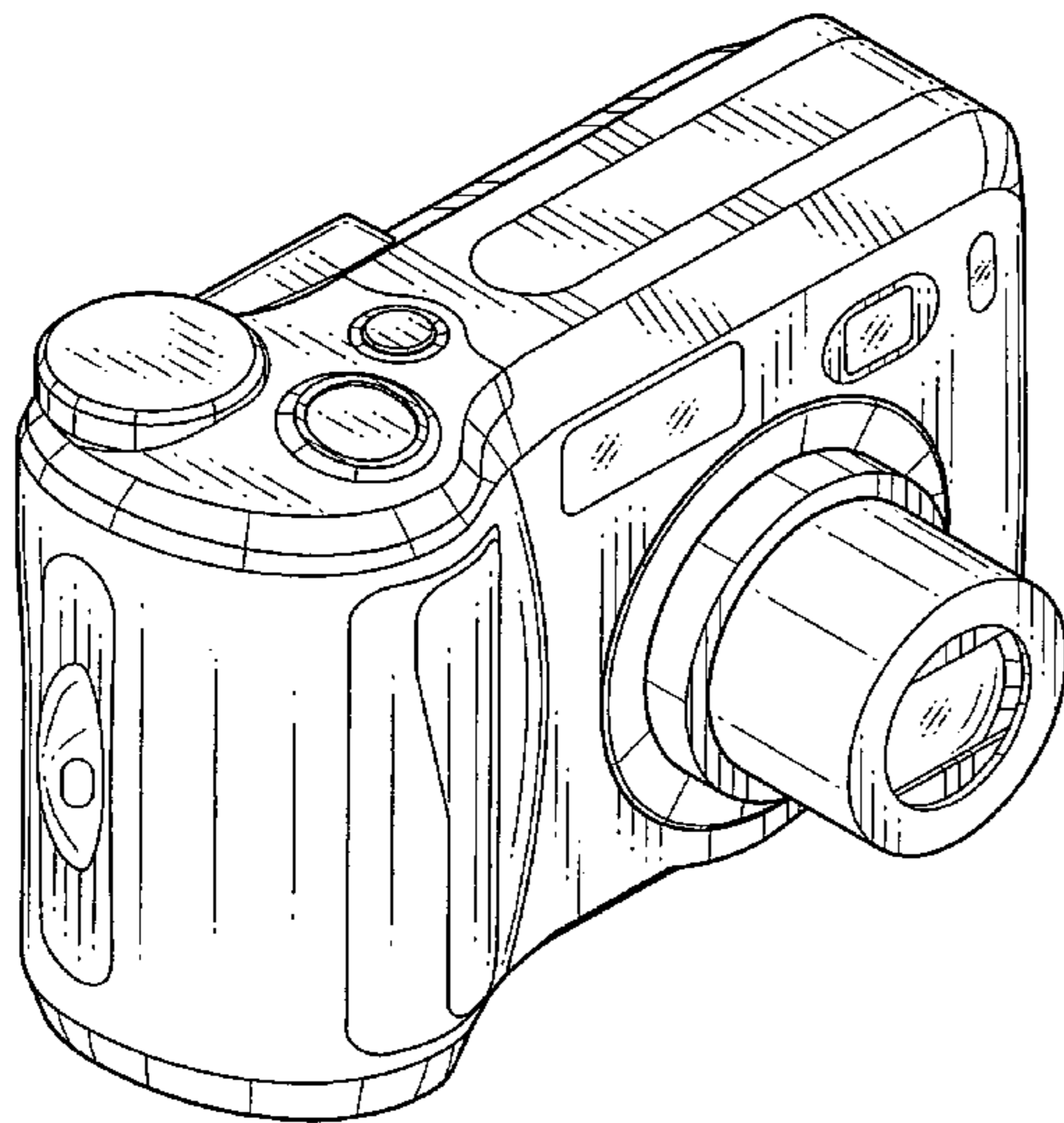


FIG.1

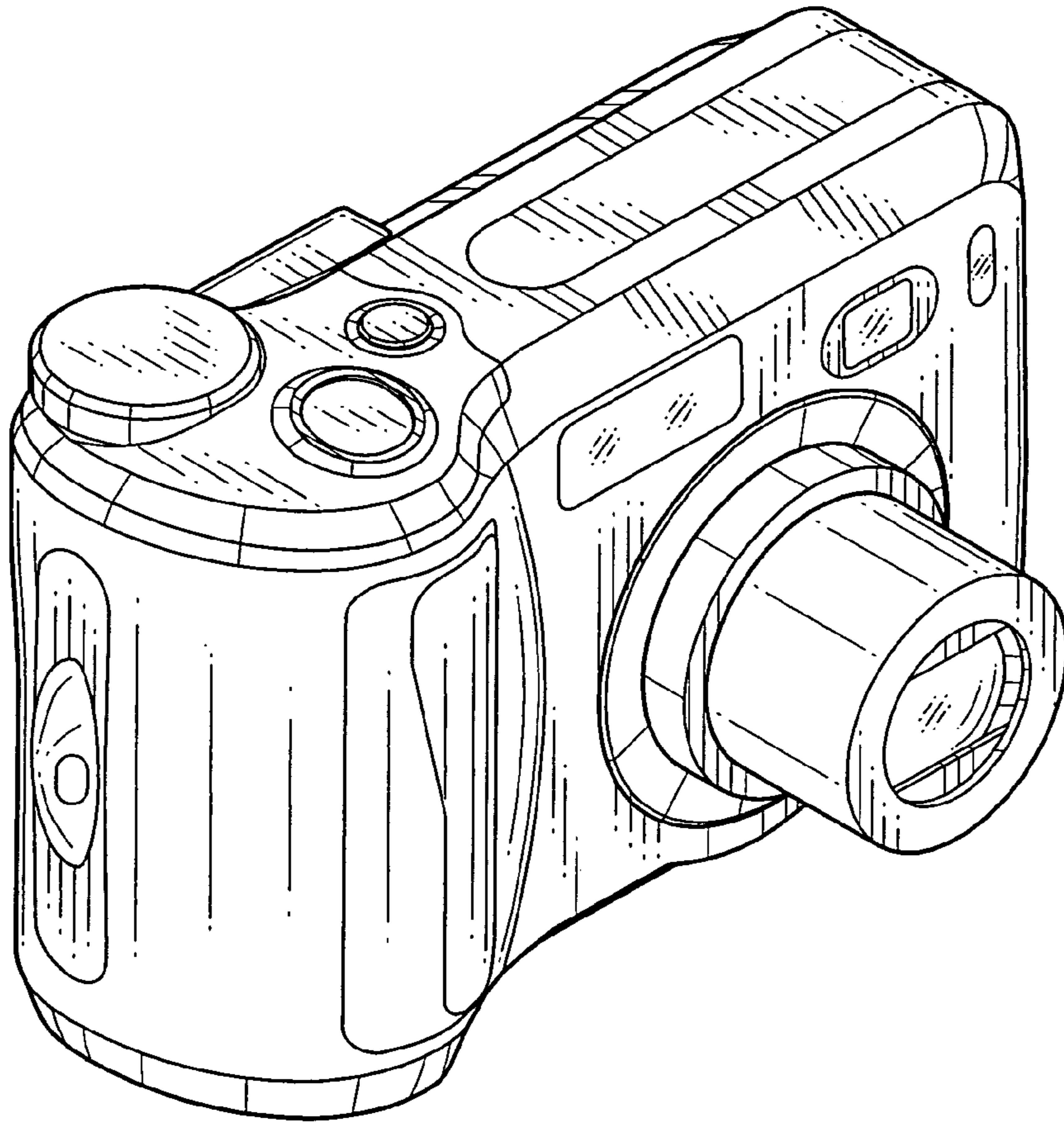


FIG.2

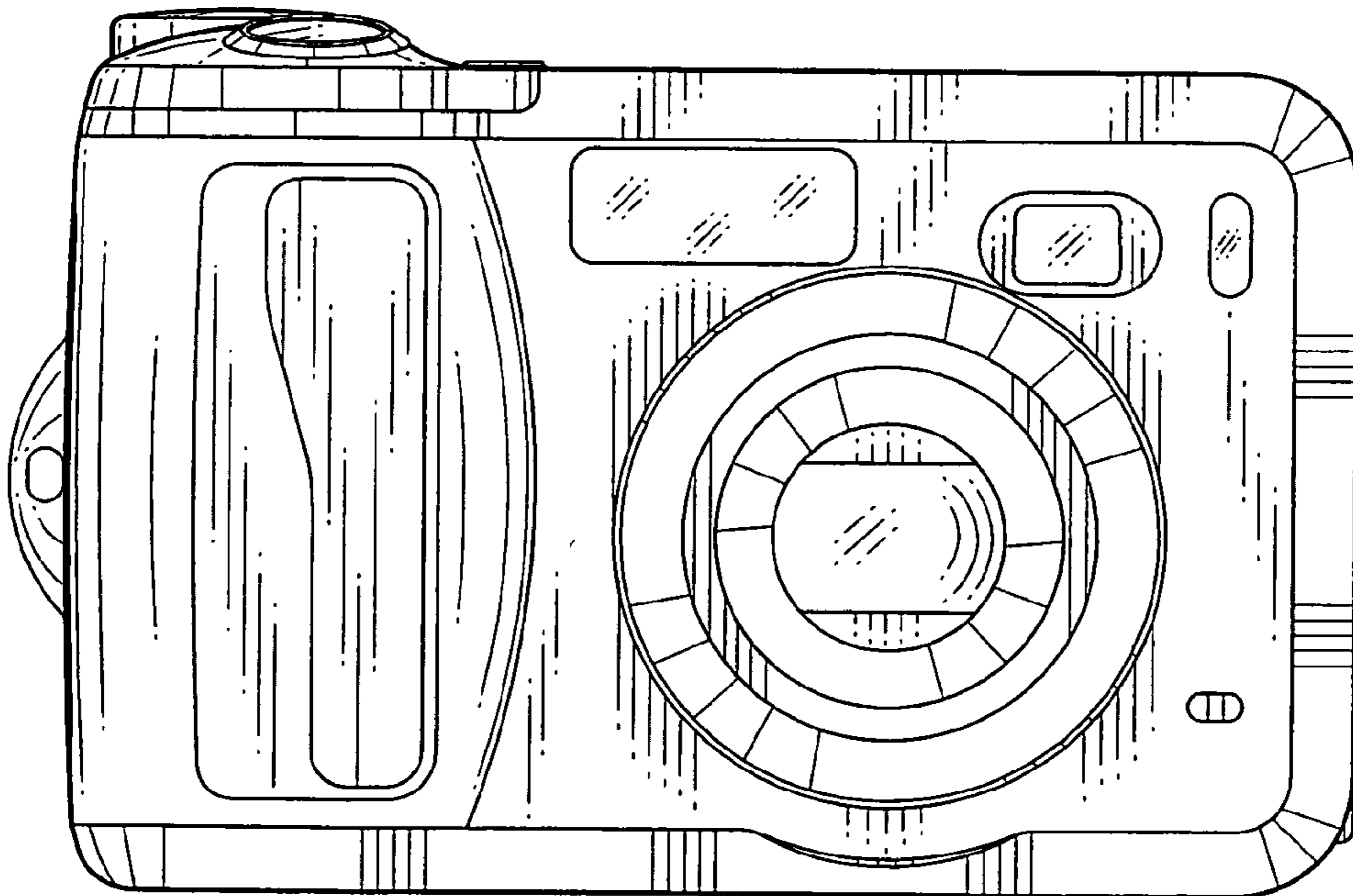


FIG.3

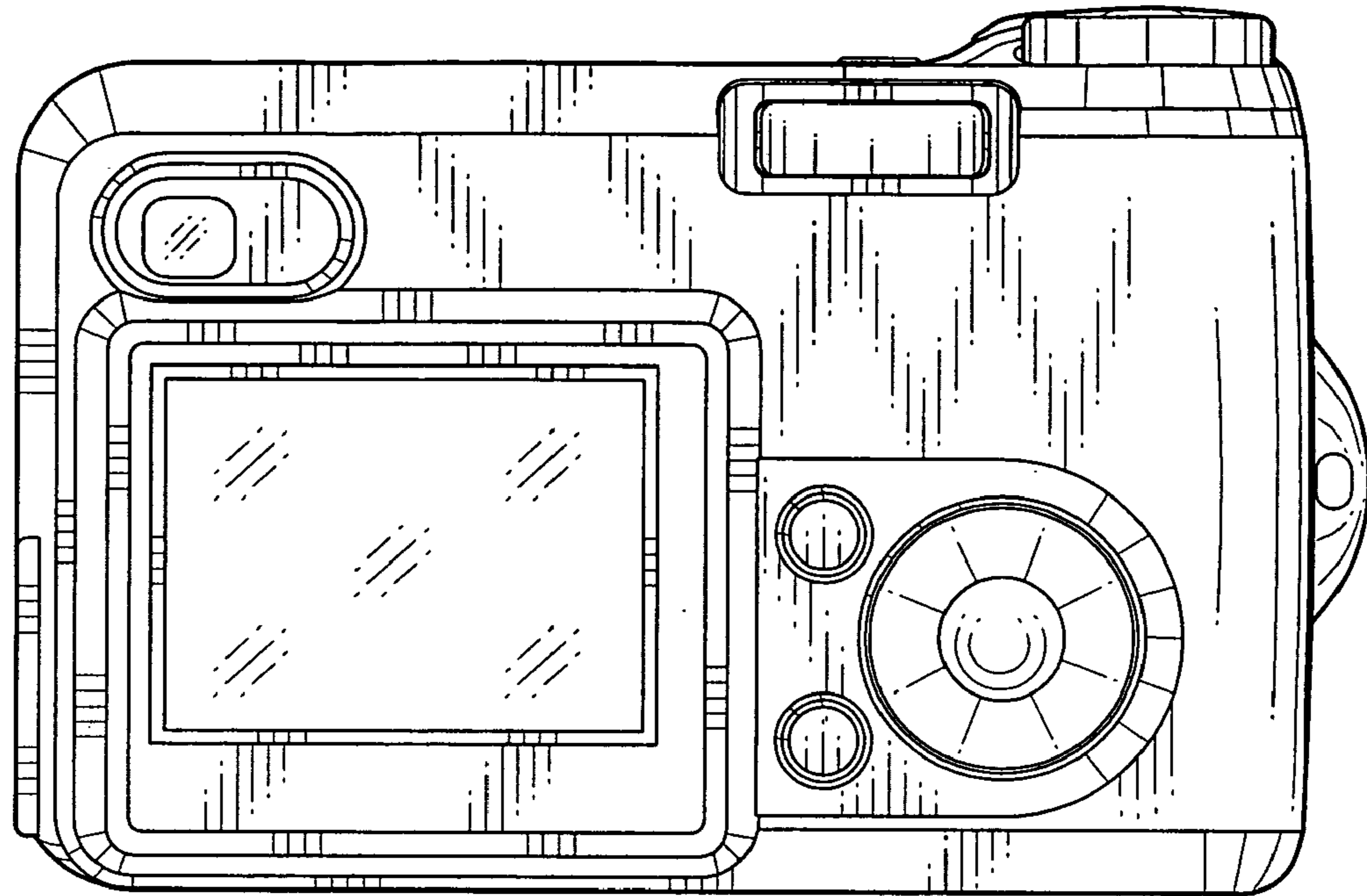


FIG.4

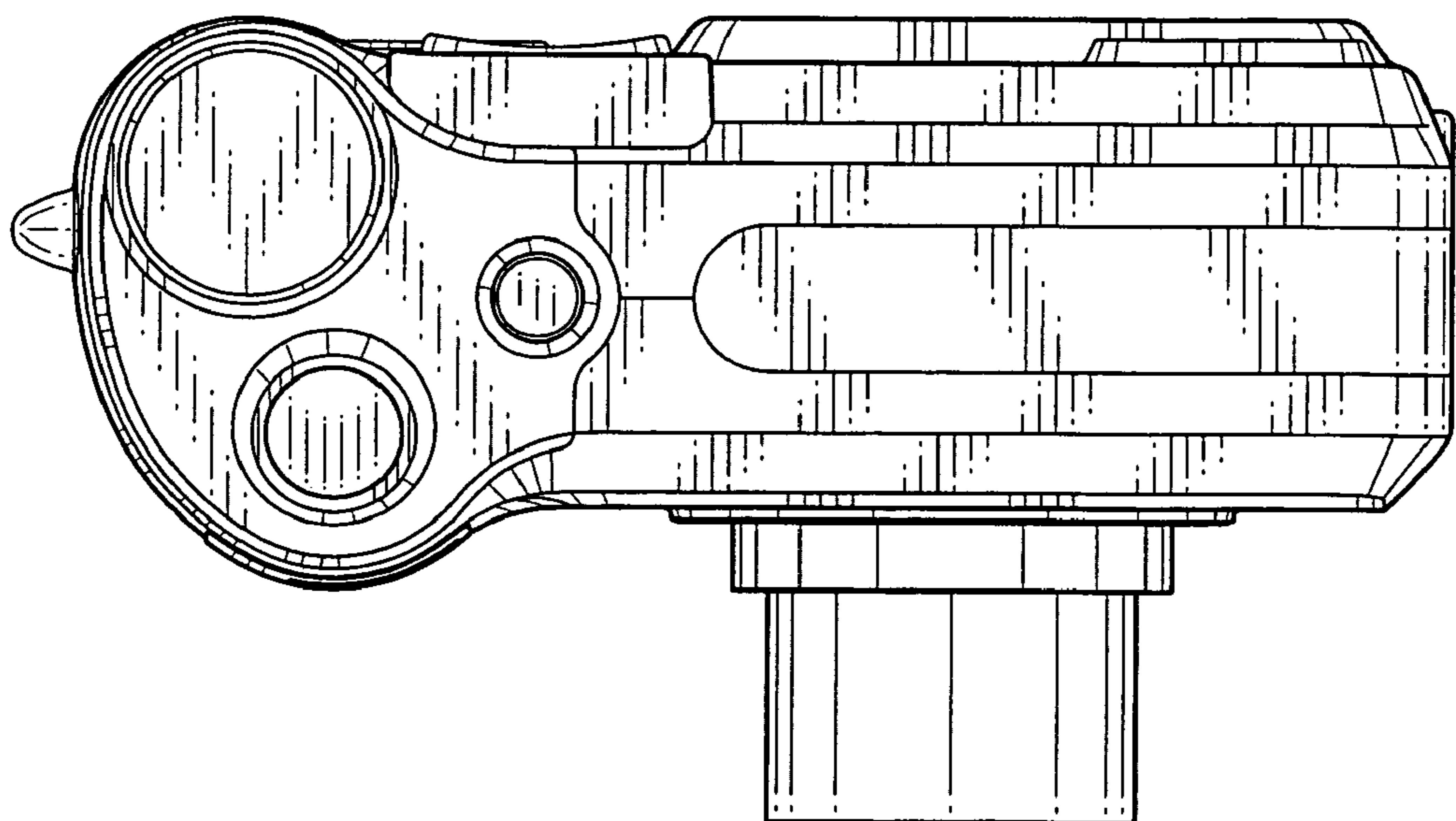


FIG.5

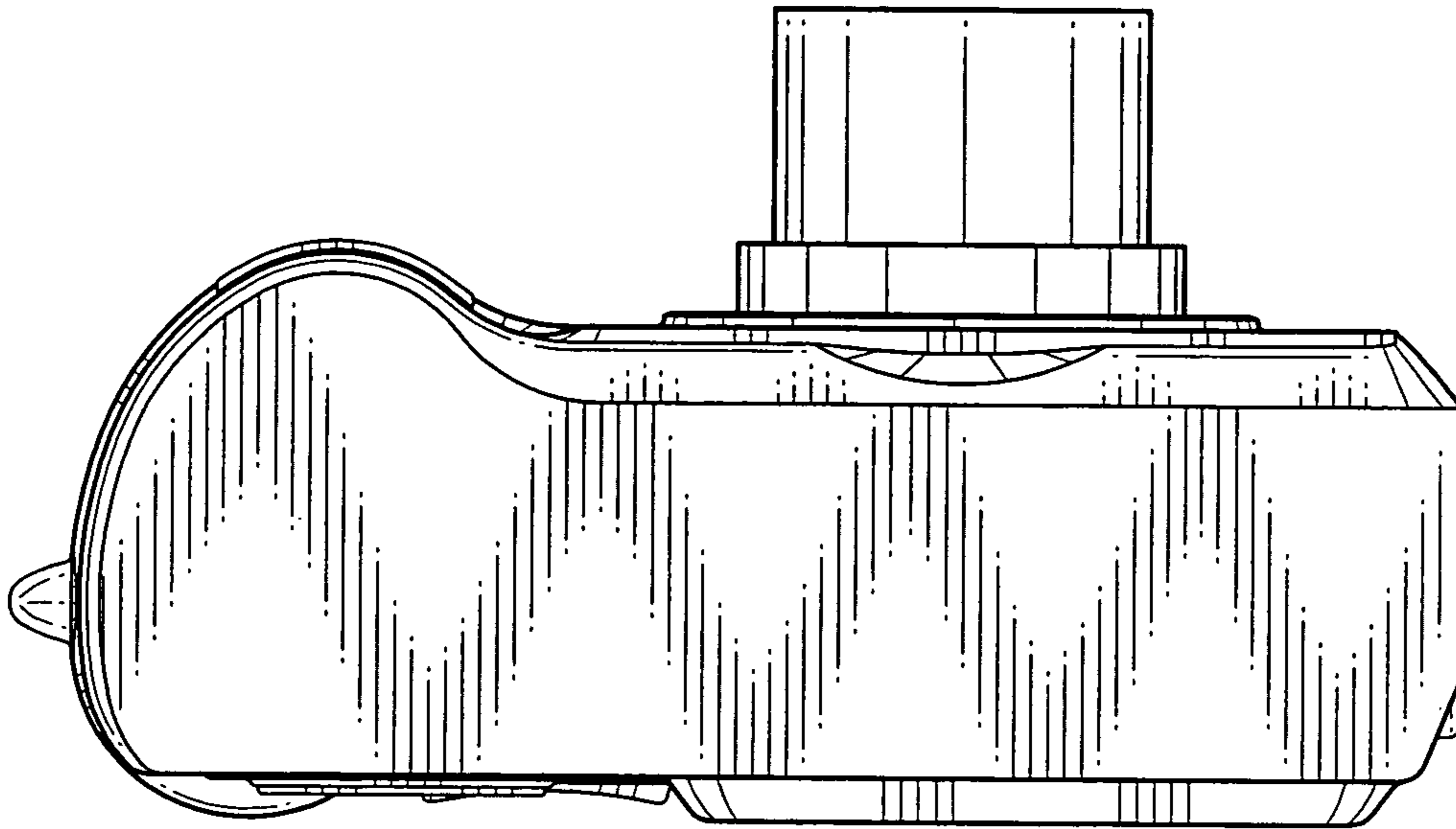


FIG.6

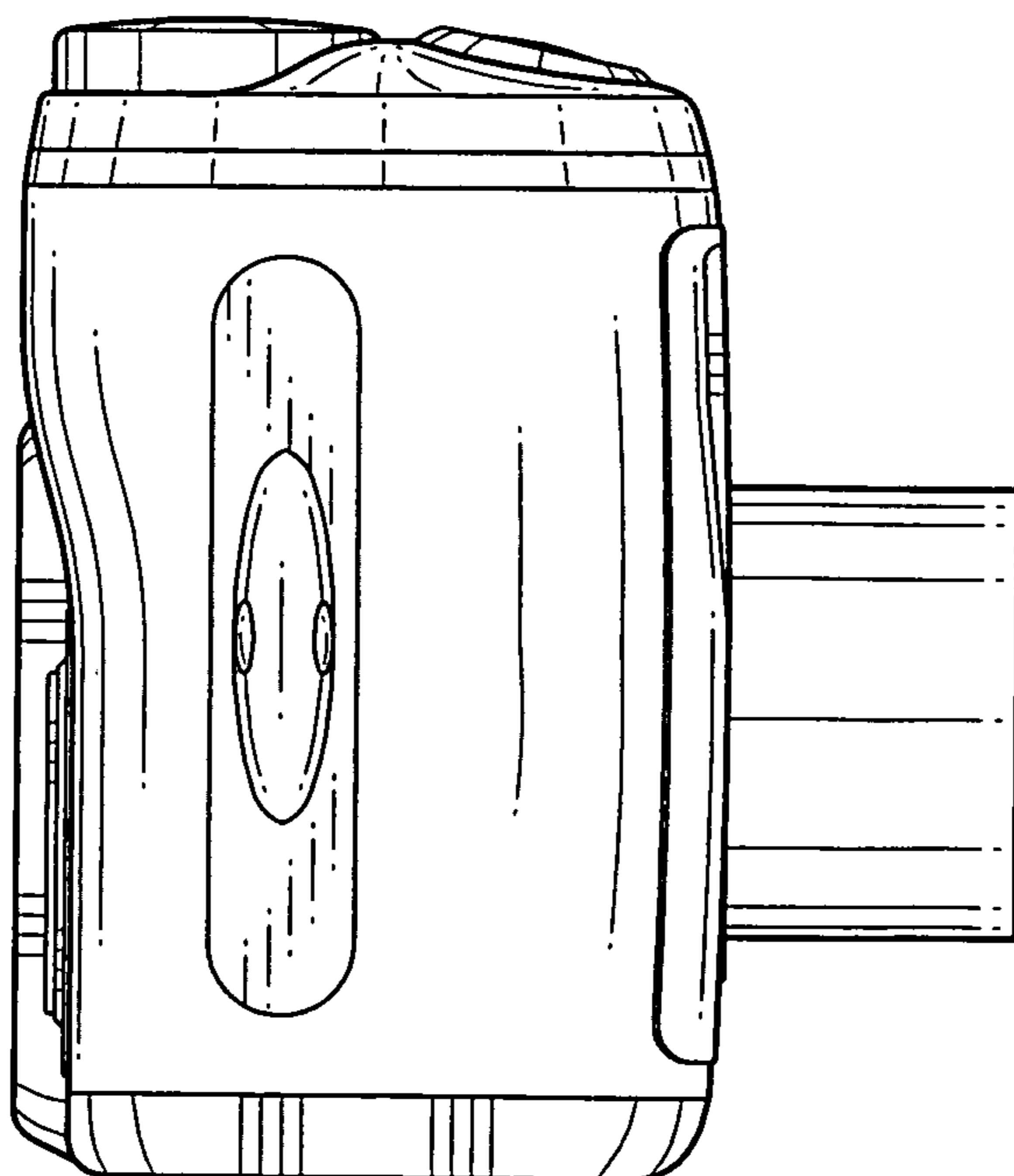


FIG.7

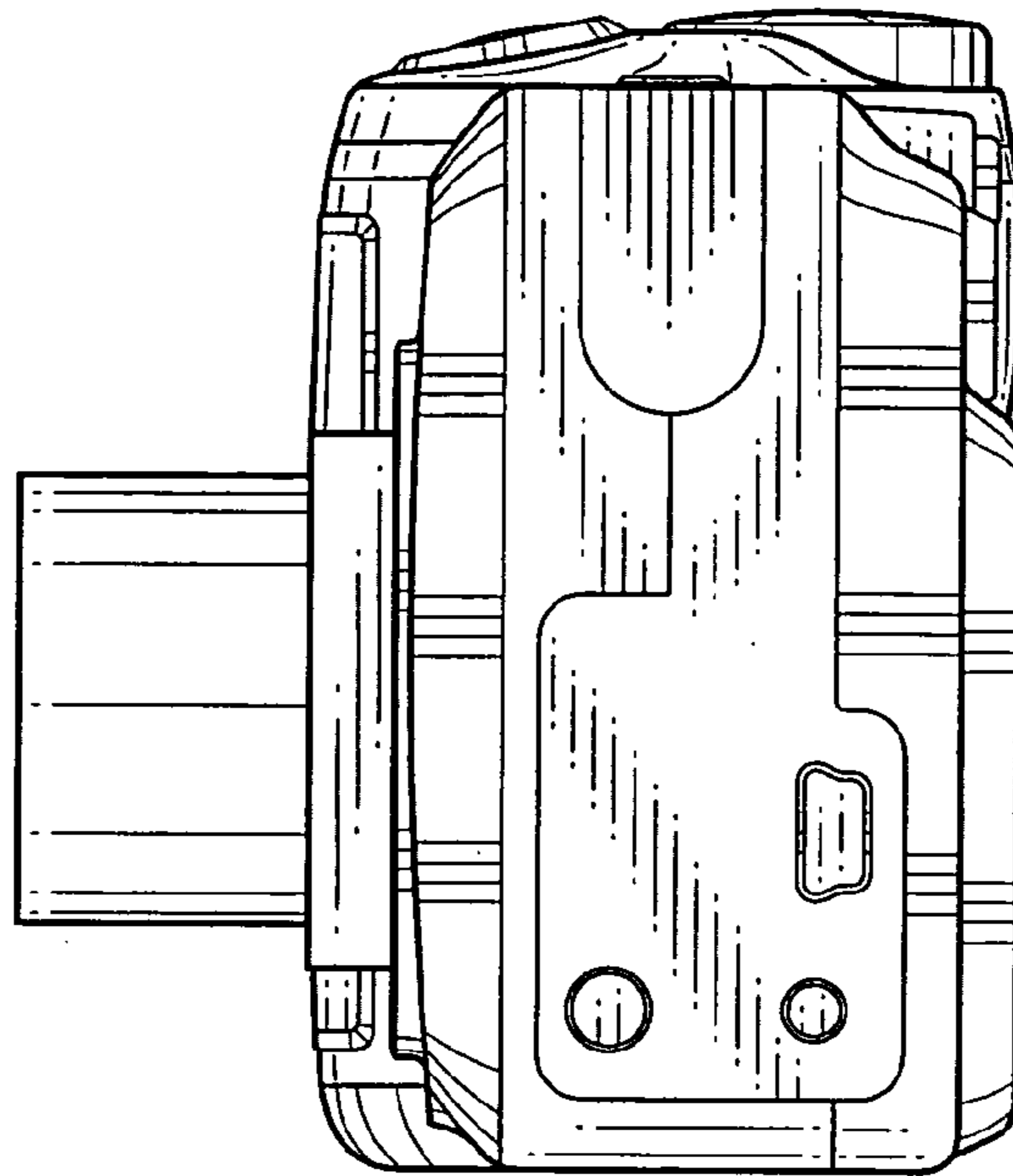


FIG.8

