

US00D547780S

(12) **United States Design Patent**
Meinzer

(10) **Patent No.:** **US D547,780 S**

(45) **Date of Patent:** **** Jul. 31, 2007**

(54) **MONOCULAR TELESCOPE WITH INTEGRATED LASER RANGE FINDER**

(75) Inventor: **Manfred Meinzer**, Hemer (DE)

(73) Assignee: **Leica Camera AG**, Solms (DE)

(**) Term: **14 Years**

(21) Appl. No.: **29/260,324**

(22) Filed: **May 24, 2006**

(30) **Foreign Application Priority Data**

Dec. 21, 2005 (EM) 000450895

(51) **LOC (8) Cl.** **16-06**

(52) **U.S. Cl.** **D16/132**

(58) **Field of Classification Search** D16/200,
D16/202, 205, 206, 208, 218, 130, 132, 136;
D22/109; 359/353, 382, 383, 384, 399, 405,
359/407, 409, 411, 412, 413, 415, 419, 420,
359/428, 430, 480

See application file for complete search history.

(56) **References Cited**

U.S. PATENT DOCUMENTS

D300,038 S * 2/1989 Huckenbeck D16/132
D325,041 S * 3/1992 Wissing et al. D16/132
D347,441 S * 5/1994 Lutter et al. D16/132
D369,613 S * 5/1996 Palmer D16/132

D380,222 S * 6/1997 Bryant D16/132
6,445,417 B1 * 9/2002 Yoshida et al. 348/374
D469,793 S * 2/2003 Onoda et al. D16/202
D490,097 S * 5/2004 Regan et al. D16/132
D499,438 S * 12/2004 Shimizu D16/202
D522,031 S * 5/2006 Siu D16/132
D528,577 S * 9/2006 Byun et al. D16/202

* cited by examiner

Primary Examiner—Paula A. Greene

(74) *Attorney, Agent, or Firm*—Crowell & Moring LLP

(57) **CLAIM**

The ornamental design for a monocular telescope with integrated laser range finder, as shown and described.

DESCRIPTION

FIG. 1 is a front, left perspective view of a monocular telescope with integrated laser range finder according to my novel design;

FIG. 2 is a left side view thereof;

FIG. 3 is a right side view thereof;

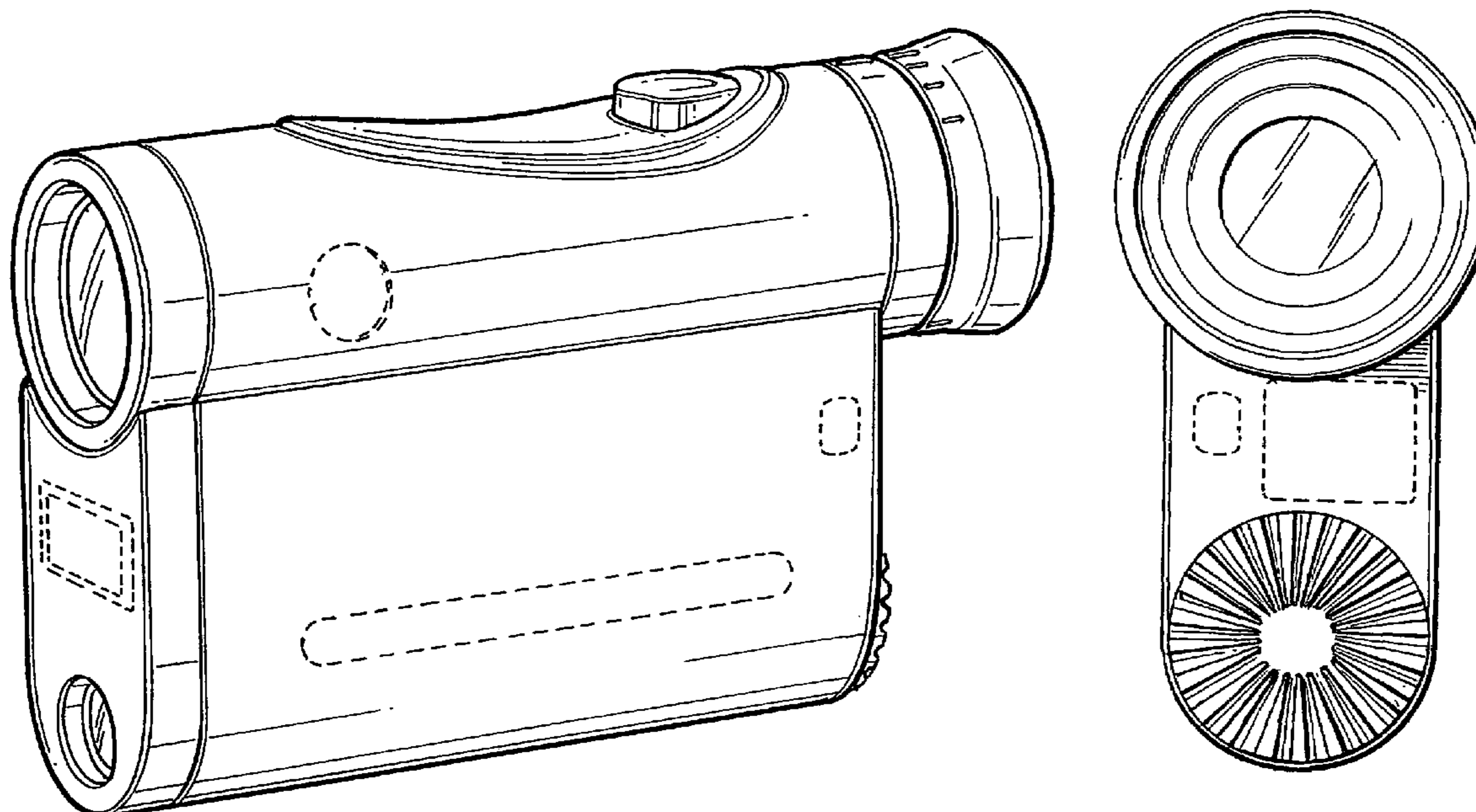
FIG. 4 is a top view thereof;

FIG. 5 is a rear view thereof; and,

FIG. 6 is a front view thereof.

The broken lines are for illustrative purposes only and form no part of the claimed design.

1 Claim, 4 Drawing Sheets



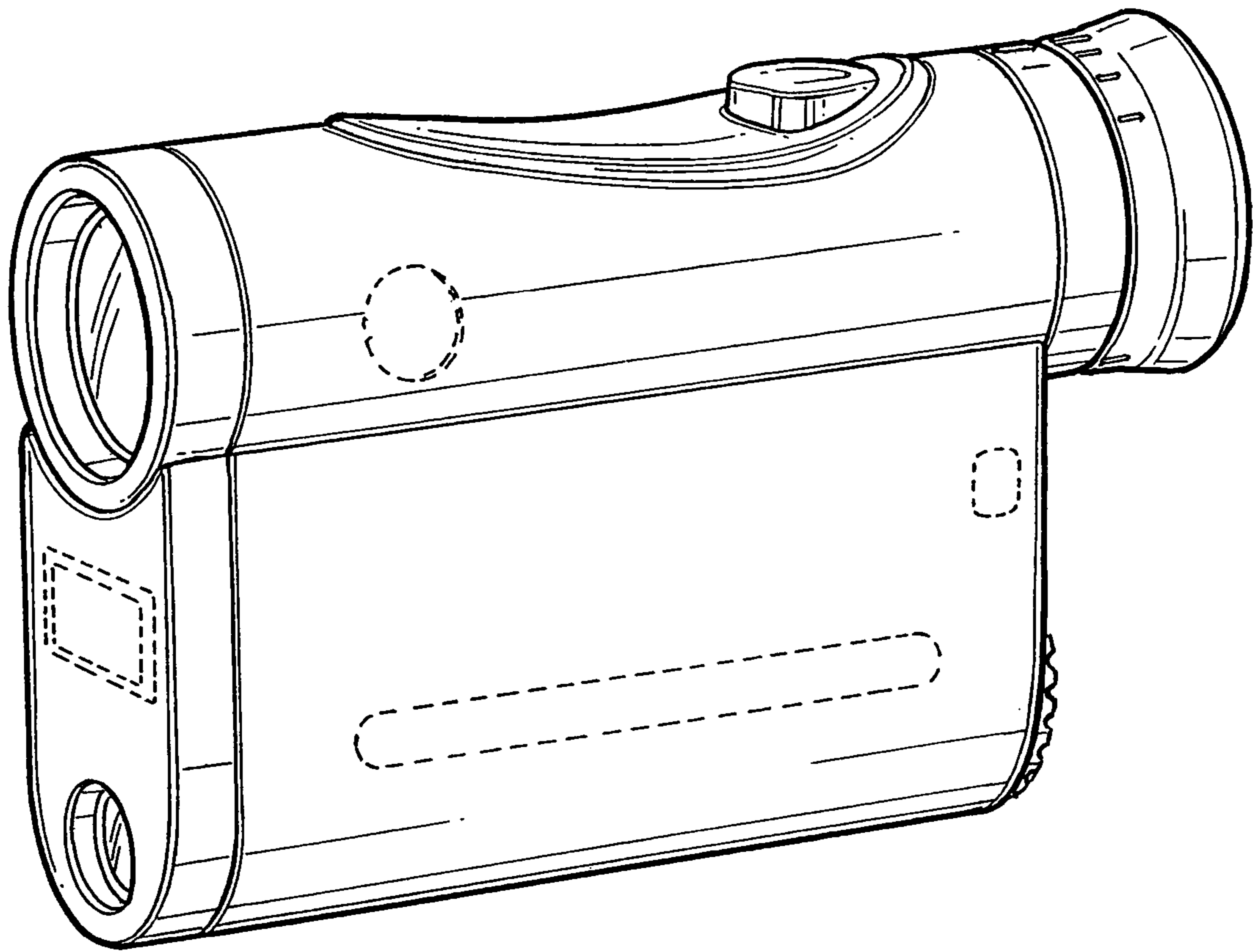


FIG. 1

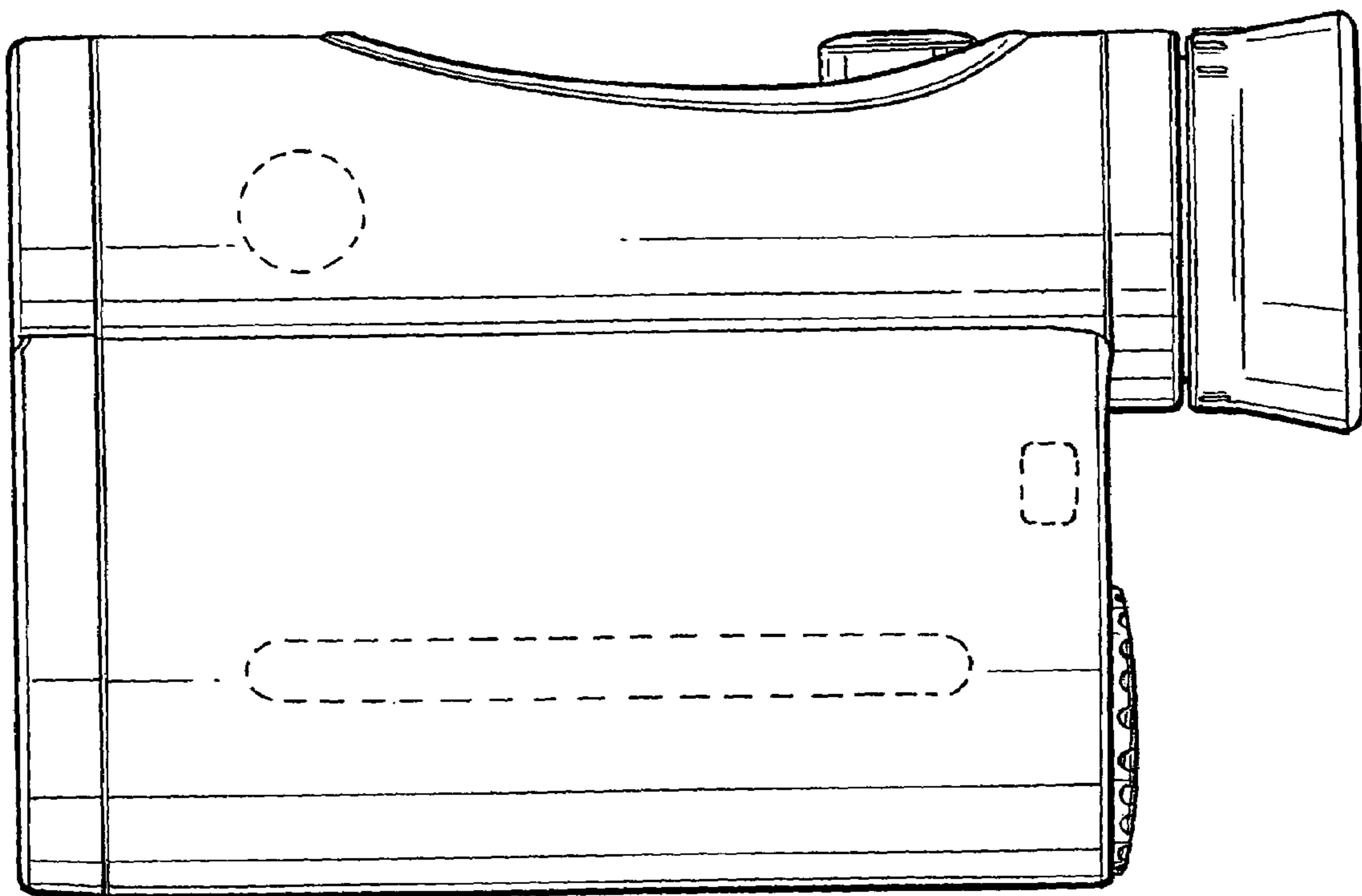


FIG. 2

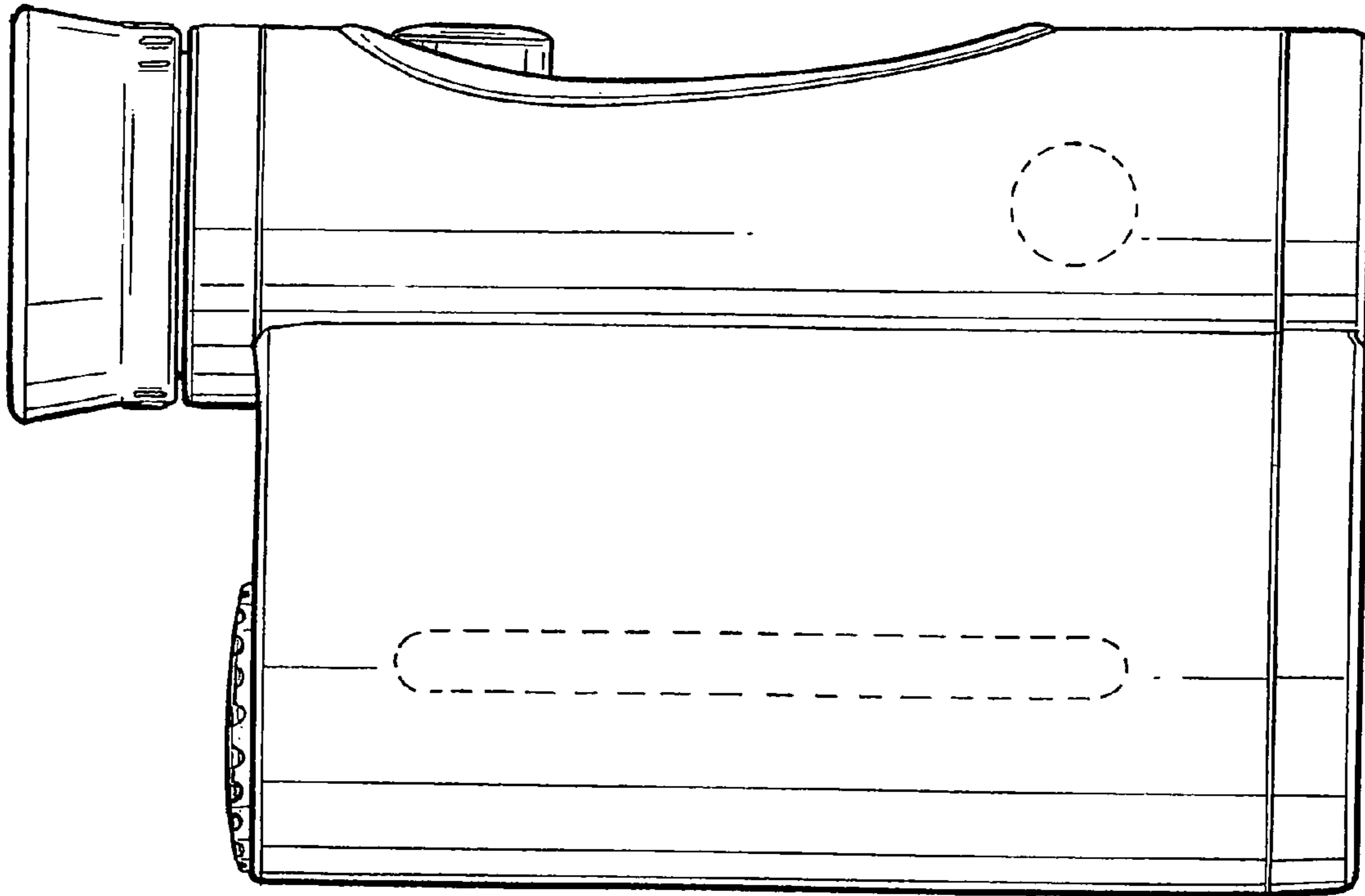


FIG. 3

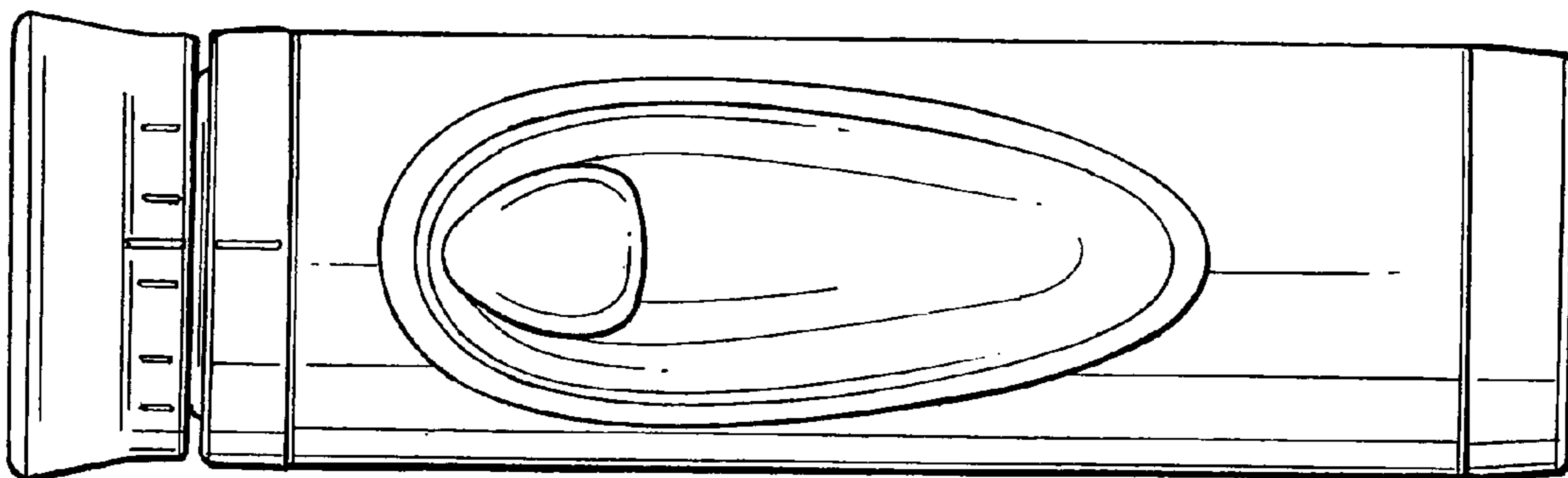


FIG. 4

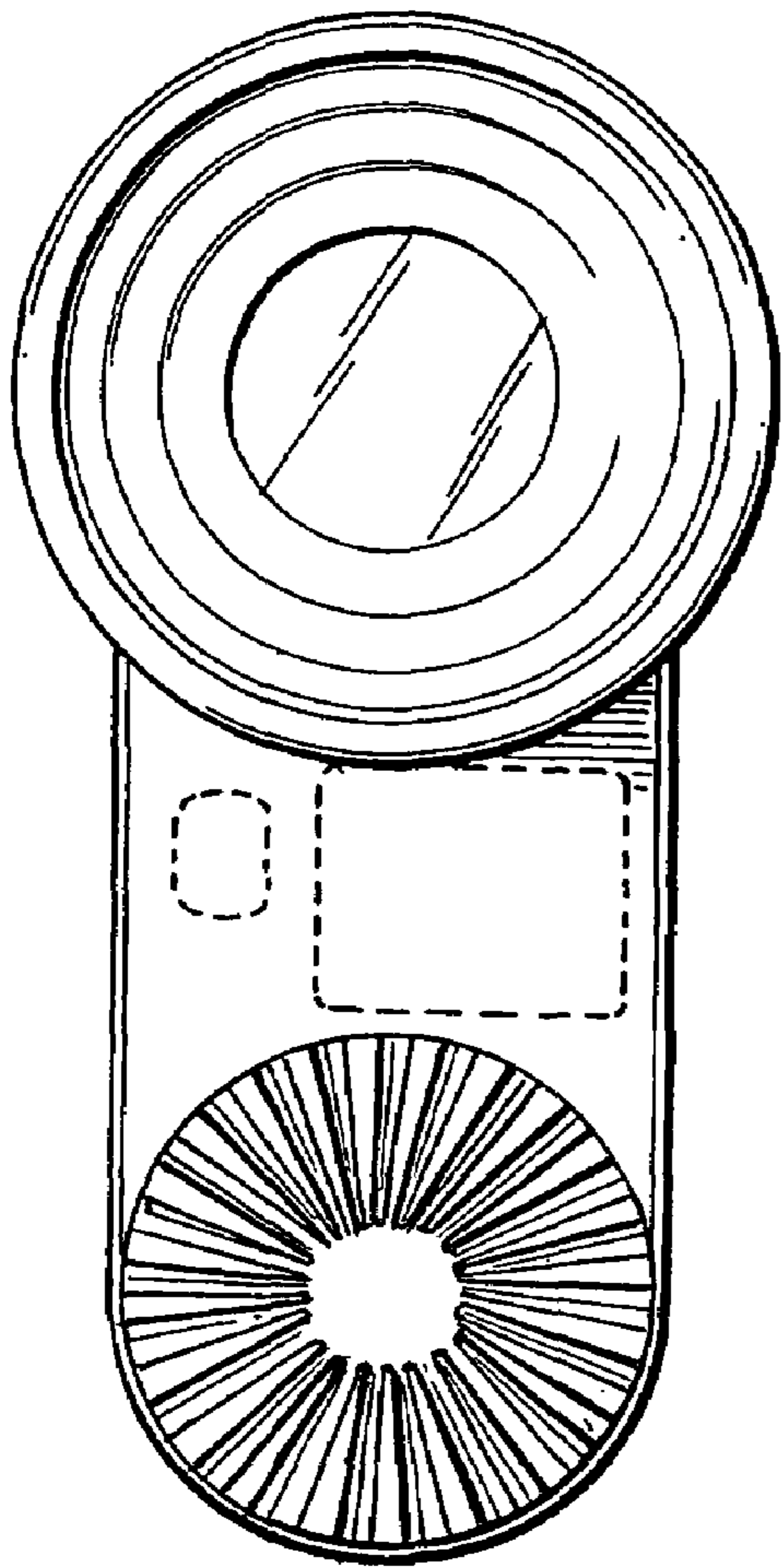


FIG. 5

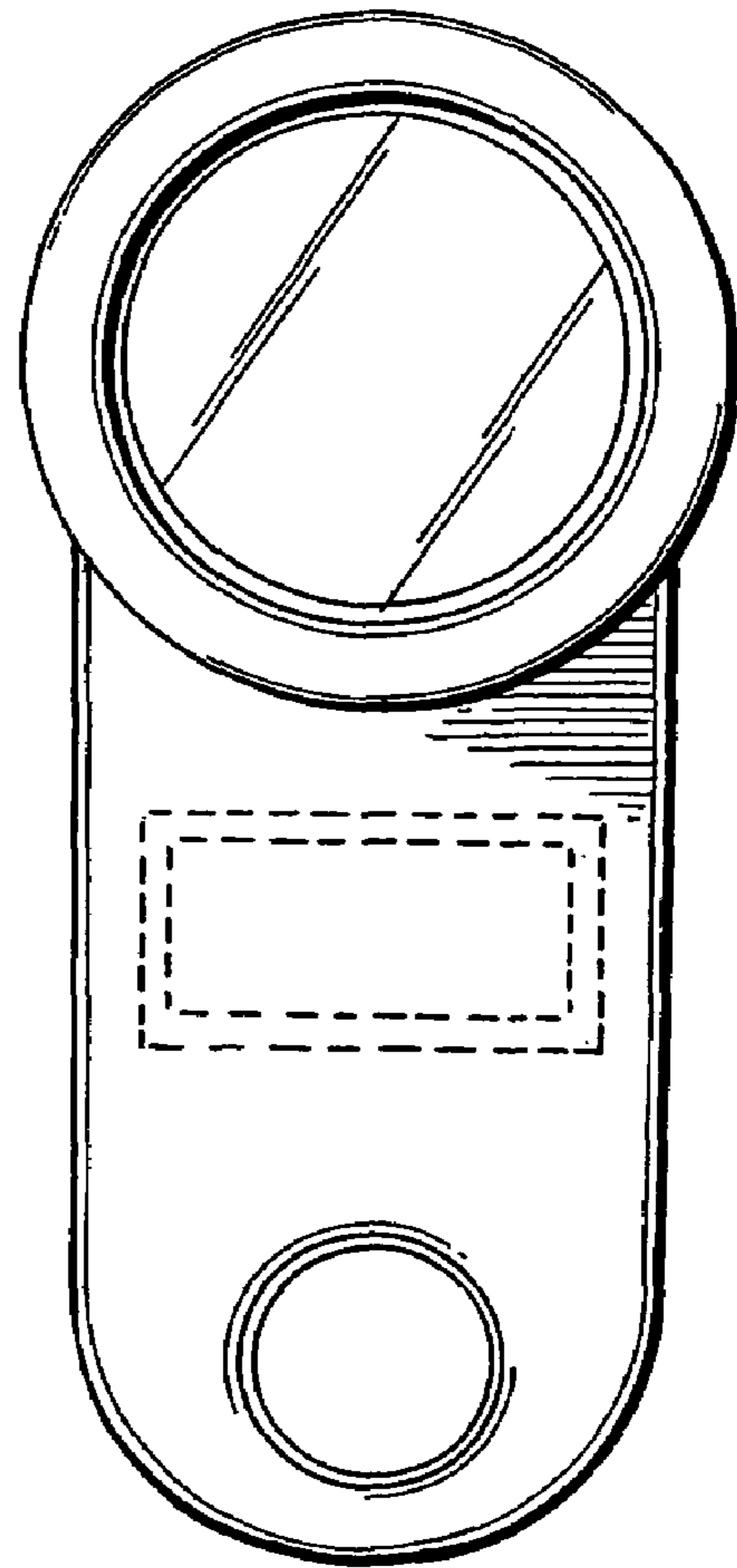


FIG. 6