



US00D547779S

(12) **United States Design Patent**
Shimojima

(10) **Patent No.:** **US D547,779 S**

(45) **Date of Patent:** **** Jul. 31, 2007**

(54) **STRAPPING PACKING MACHINE**

(75) Inventor: **Toshio Shimojima**, Kawasaki (JP)

(73) Assignee: **Strapack Corporation**, Tokyo (JP)

(**) Term: **14 Years**

(21) Appl. No.: **29/240,567**

(22) Filed: **Oct. 14, 2005**

(30) **Foreign Application Priority Data**

Apr. 15, 2005 (JP) 2005-011235

(51) **LOC (8) Cl.** **15-99**

(52) **U.S. Cl.** **D15/145**

(58) **Field of Classification Search** D15/145,
D15/146; 100/1, 3, 4, 8, 25, 26, 29, 32; 533/99,
533/589

See application file for complete search history.

(56) **References Cited**

U.S. PATENT DOCUMENTS

D295,525 S *	5/1988	Sakaki et al.	D15/145
D424,078 S *	5/2000	Chin-Chang et al.	D15/145
6,668,516 B2 *	12/2003	Sakaki et al.	100/26
D488,822 S *	4/2004	Shibazaki et al.	D15/145
6,981,353 B2 *	1/2006	Haberstroh et al.	53/64

2002/0000080 A1* 1/2002 Kawai et al. 53/589
* cited by examiner

Primary Examiner—Antoine D. Davis

Assistant Examiner—Patricia Palasik

(74) *Attorney, Agent, or Firm*—Wolf Block Schoor & Solis-Cohen LLP; William H. Dippert

(57) **CLAIM**

The ornamental design for a strapping packing machine, as shown and described.

DESCRIPTION

FIG. 1 illustrates a front view of a strapping packing machine of the present invention;

FIG. 2 illustrates a rear view of the strapping packing machine of the present invention;

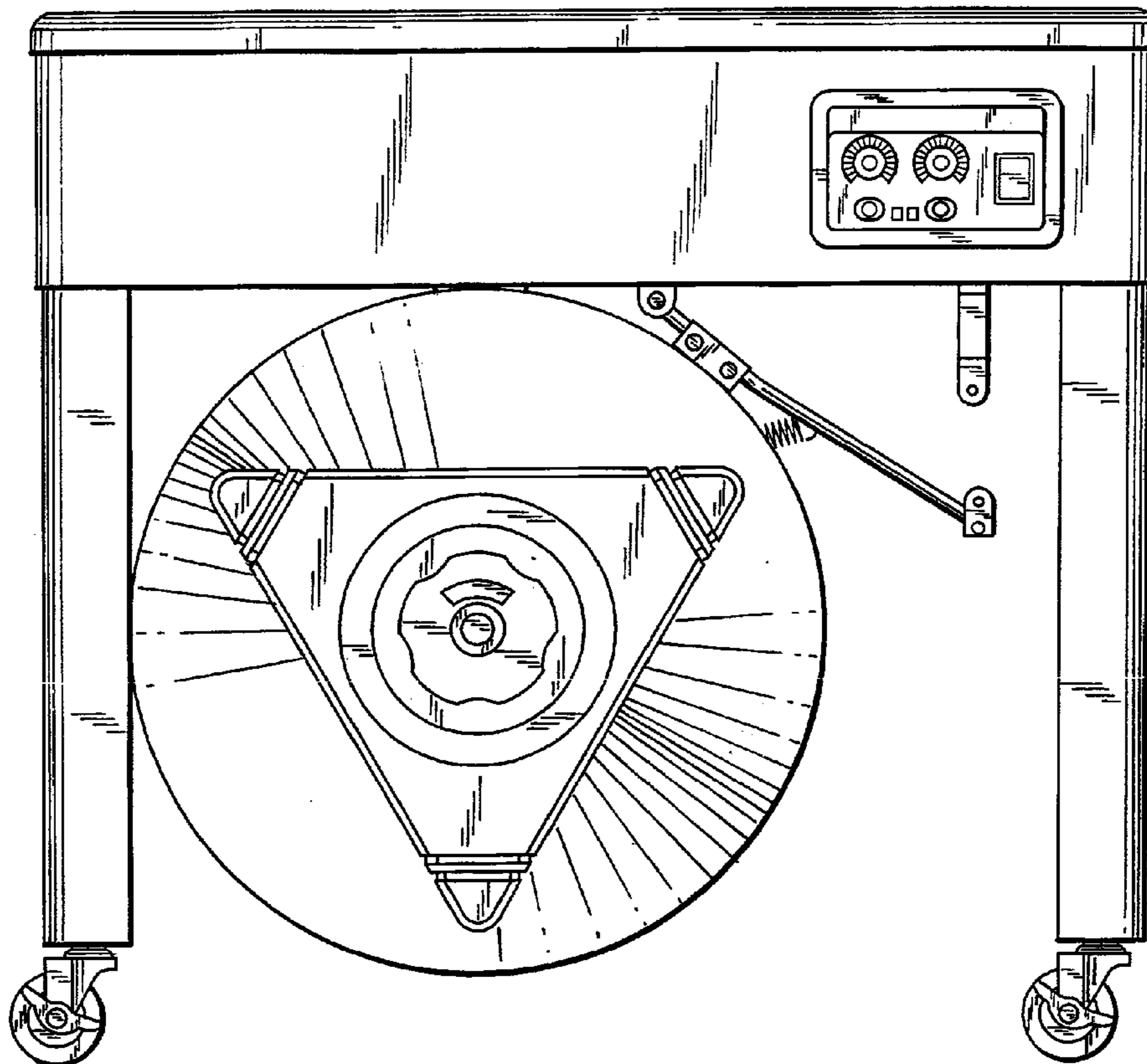
FIG. 3 illustrates a right side view of the strapping packing machine of the present invention;

FIG. 4 illustrates a left side view of the strapping packing machine of the present invention;

FIG. 5 illustrates a top plan view of the strapping packing machine of the present invention; and,

FIG. 6 illustrates a bottom plan view of the strapping packing machine of the present invention.

1 Claim, 6 Drawing Sheets



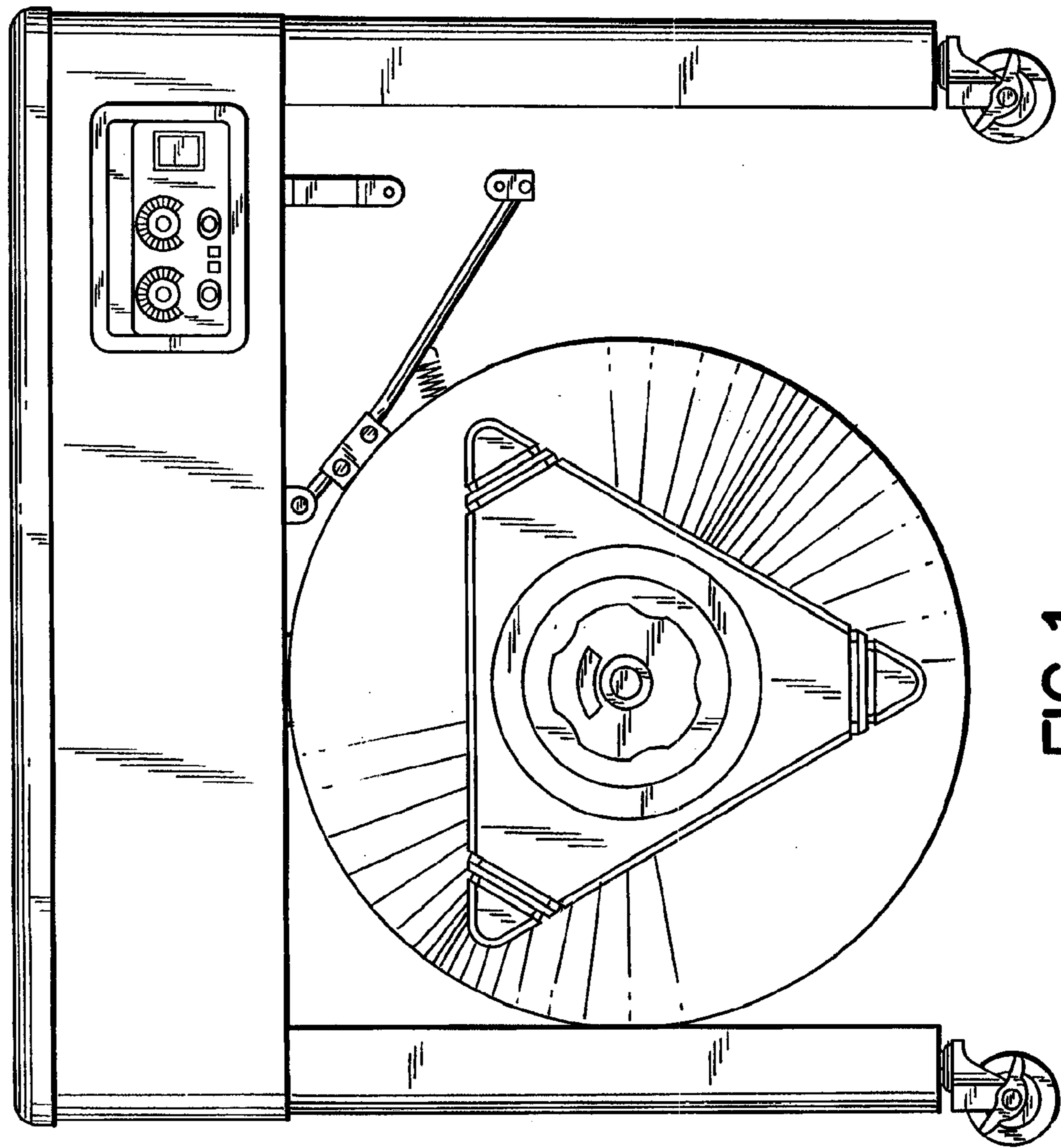


FIG. 1

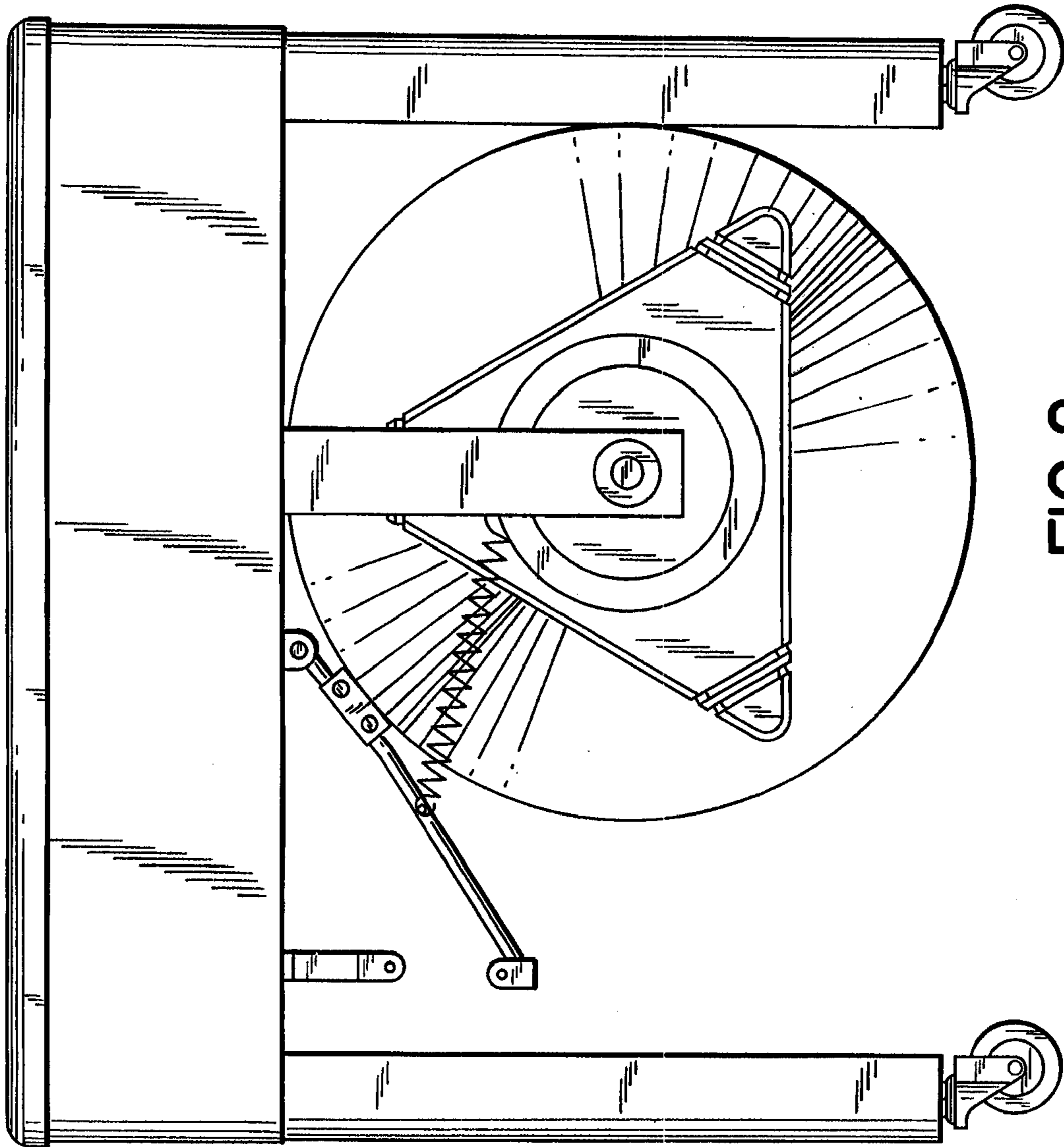


FIG. 2

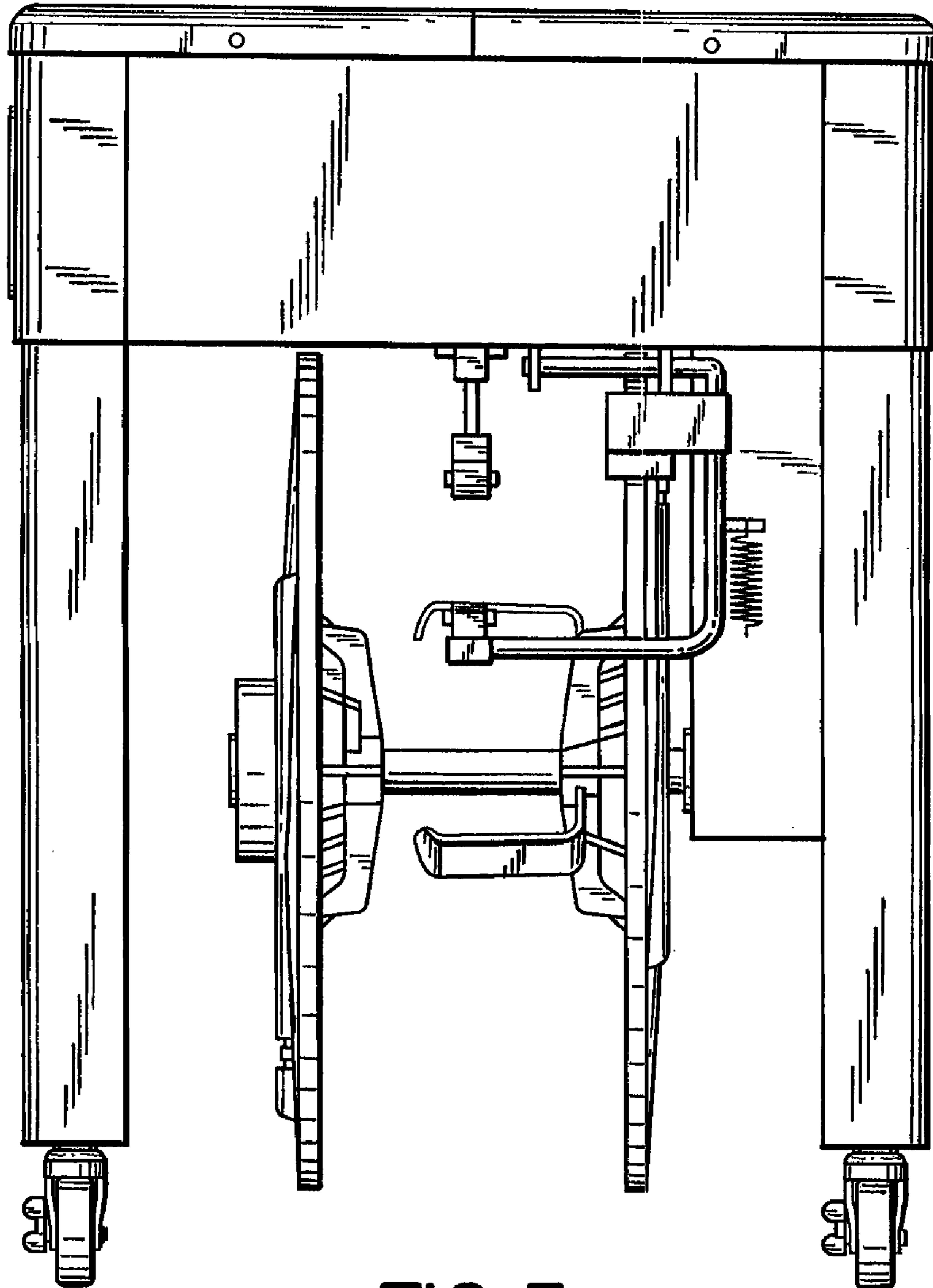


FIG. 3

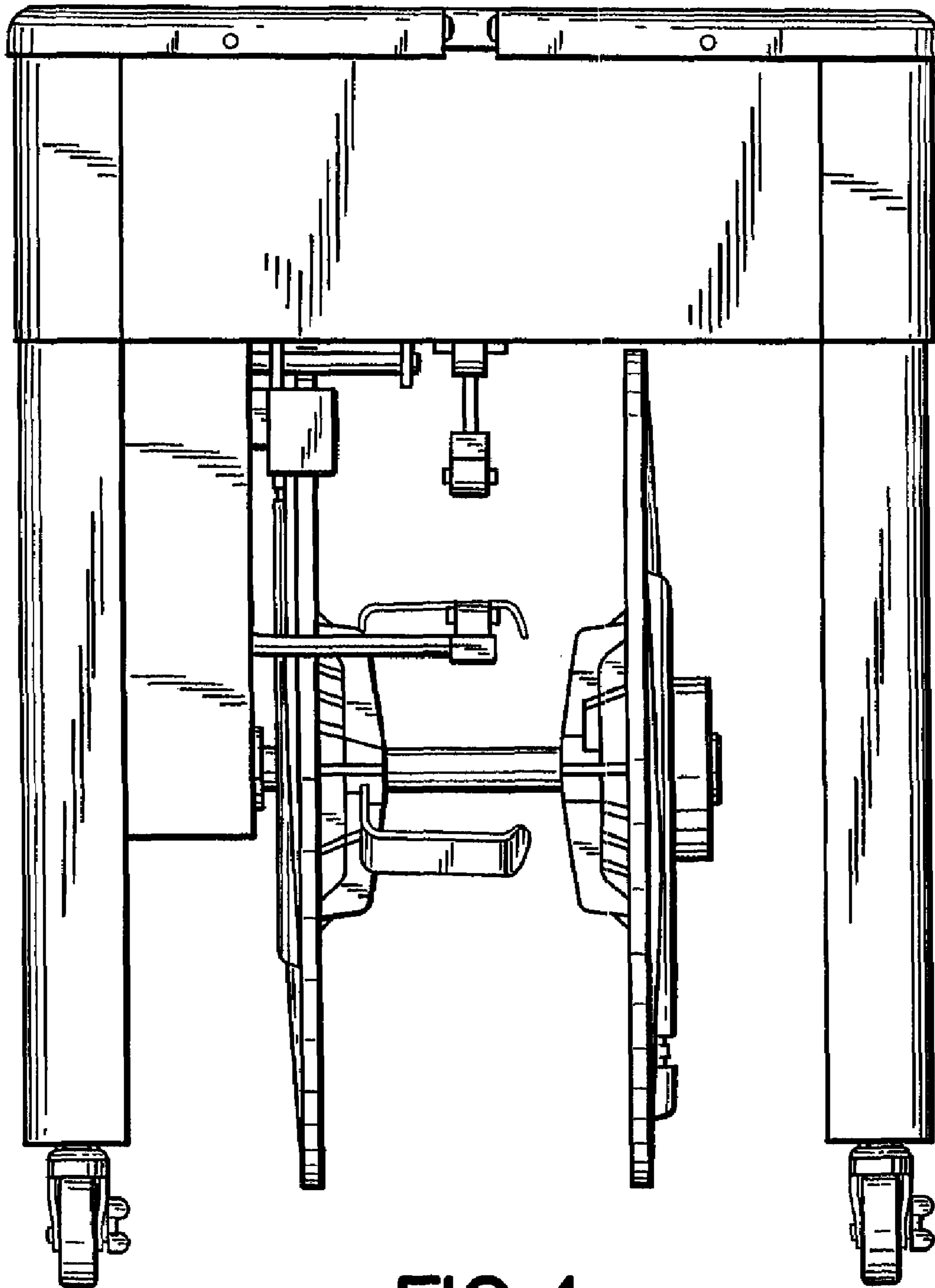


FIG. 4

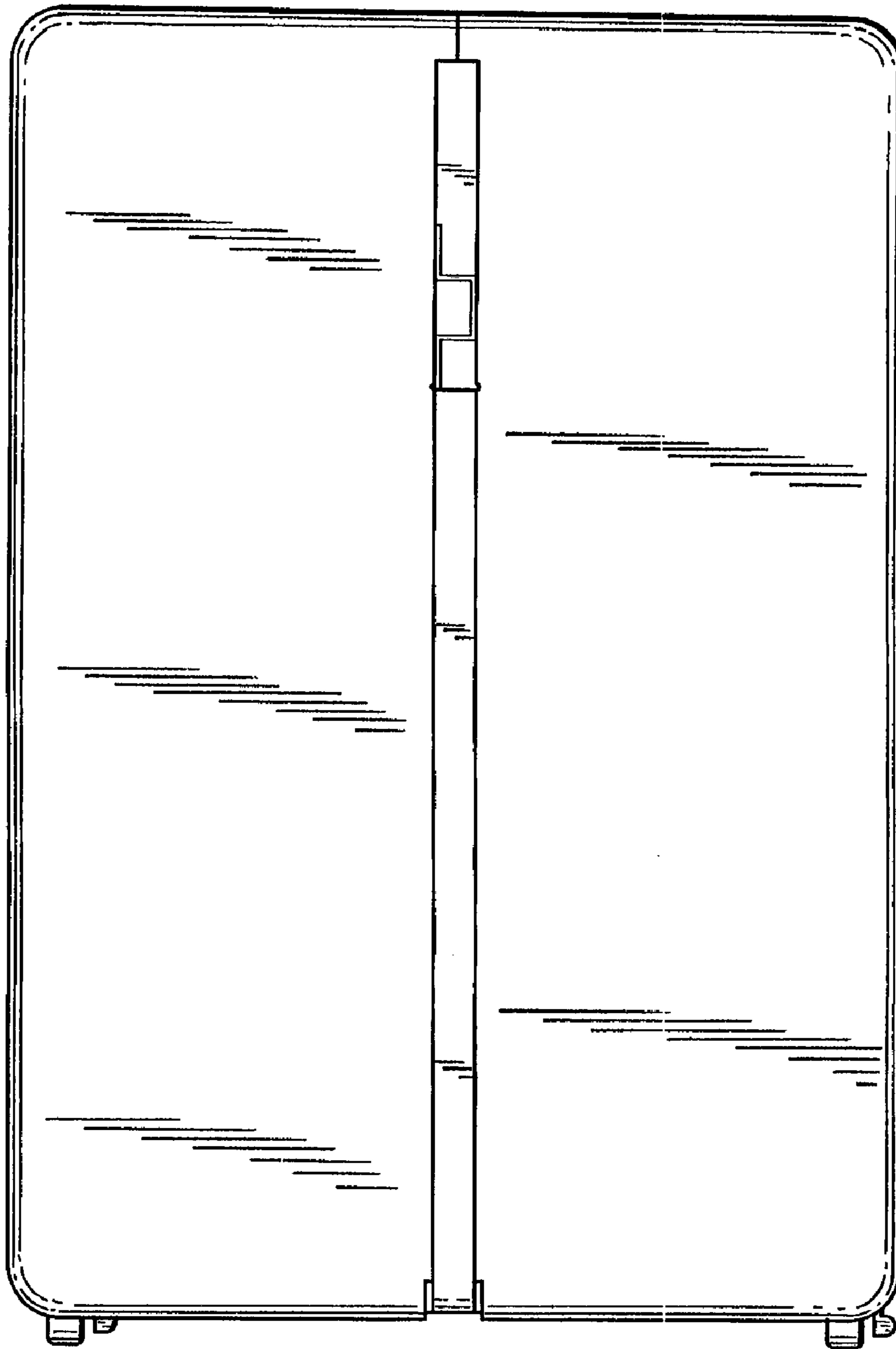


FIG.5

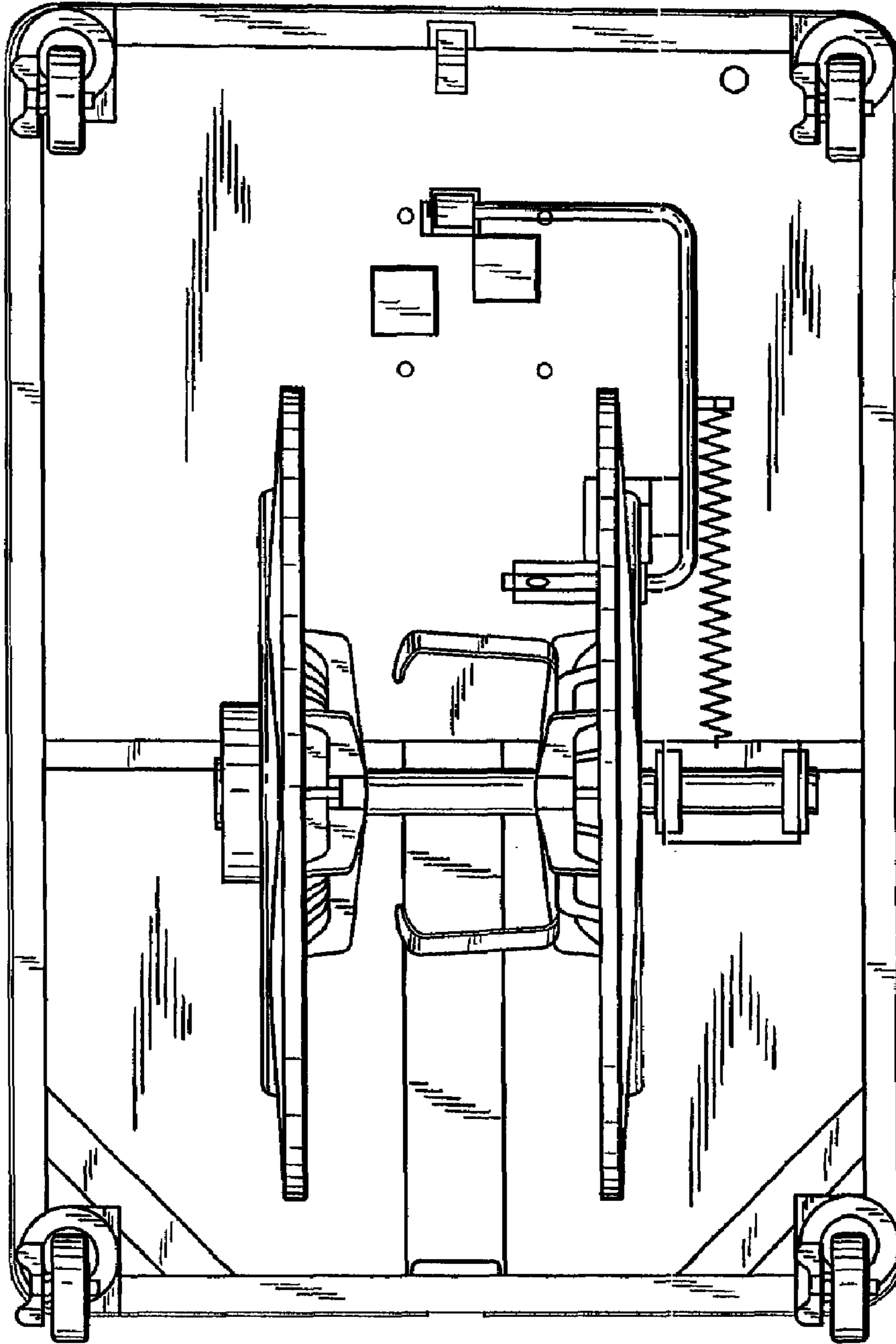


FIG. 6