

US00D547774S

(12) **United States Design Patent**
Wanschura et al.

(10) **Patent No.:** **US D547,774 S**
(45) **Date of Patent:** **** Jul. 31, 2007**

(54) **AXIAL PISTON MACHINE**

(75) Inventors: **Guenter Wanschura**, Ulm (DE);
Juergen Gintner, Elchingen (DE)

(73) Assignee: **Brueninghaus Hydromatik GmbH**,
Elchingen (DE)

(**) Term: **14 Years**

(21) Appl. No.: **29/232,458**

(22) Filed: **Jun. 20, 2005**

(30) **Foreign Application Priority Data**

Dec. 21, 2004 (DE) 4 04 07 265

(51) **LOC (8) Cl.** **15-01**

(52) **U.S. Cl.** **D15/5**

(58) **Field of Classification Search** D15/1-5,
D15/122, 148, 149; 91/476, 499, 505; 92/12.2,
92/19-21 MR, 71, 129; 417/222.1, 212,
417/269, 218, 319

See application file for complete search history.

(56) **References Cited**

U.S. PATENT DOCUMENTS

- 4,215,624 A * 8/1980 Tobias 91/499
- 6,077,050 A * 6/2000 Beck 417/269
- 6,155,798 A * 12/2000 Deininger et al. 417/222.1
- 6,318,238 B1 * 11/2001 Becker et al. 92/72
- 6,405,634 B1 * 6/2002 Hansen 92/71

- 6,443,706 B1 * 9/2002 Deininger et al. 417/222.1
- 6,595,886 B1 * 7/2003 Forster 475/83
- 6,662,707 B1 * 12/2003 Stolzer 92/71
- 6,663,354 B2 * 12/2003 Forster 417/222.1
- 6,701,824 B2 * 3/2004 Forster 92/12.2
- D501,860 S * 2/2005 Wanschura et al. D15/149
- D502,717 S * 3/2005 Wanschura et al. D15/149

* cited by examiner

Primary Examiner—Alan P. Douglas

Assistant Examiner—Maurice Stevens

(74) *Attorney, Agent, or Firm*—Scully, Scott, Murphy & Presser, P.C.

(57) **CLAIM**

The ornamental design for an axial piston machine, as shown and described.

DESCRIPTION

FIG. 1 illustrates a perspective view of the axial piston machine, showing our new and ornamental design;

FIG. 2 illustrates a front view thereof;

FIG. 3 illustrates a rear view thereof;

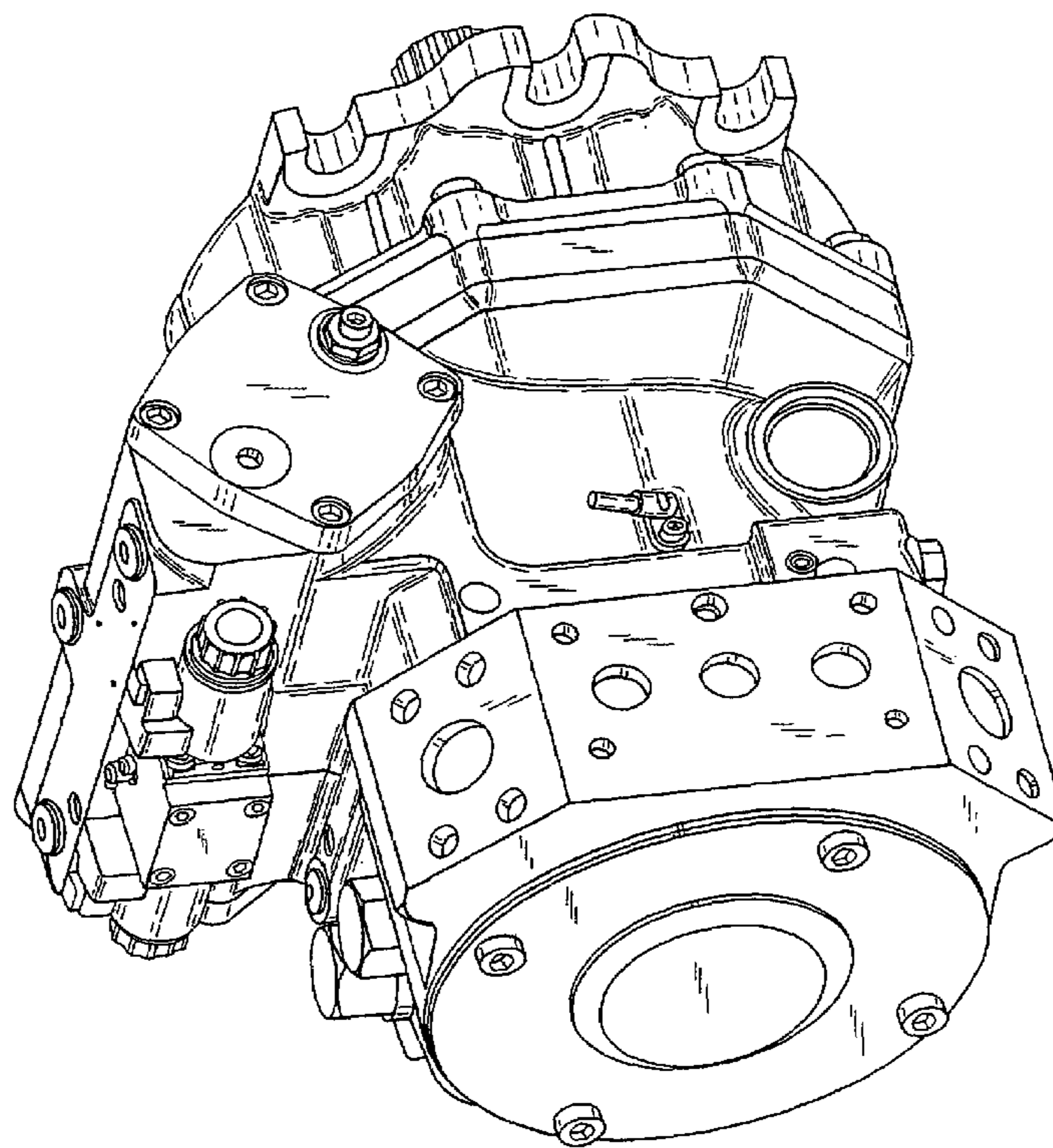
FIG. 4 illustrates a right side view thereof;

FIG. 5 illustrates a left side view thereof;

FIG. 6 illustrates a top plan view thereof; and,

FIG. 7 illustrates a bottom plan view thereof.

1 Claim, 7 Drawing Sheets



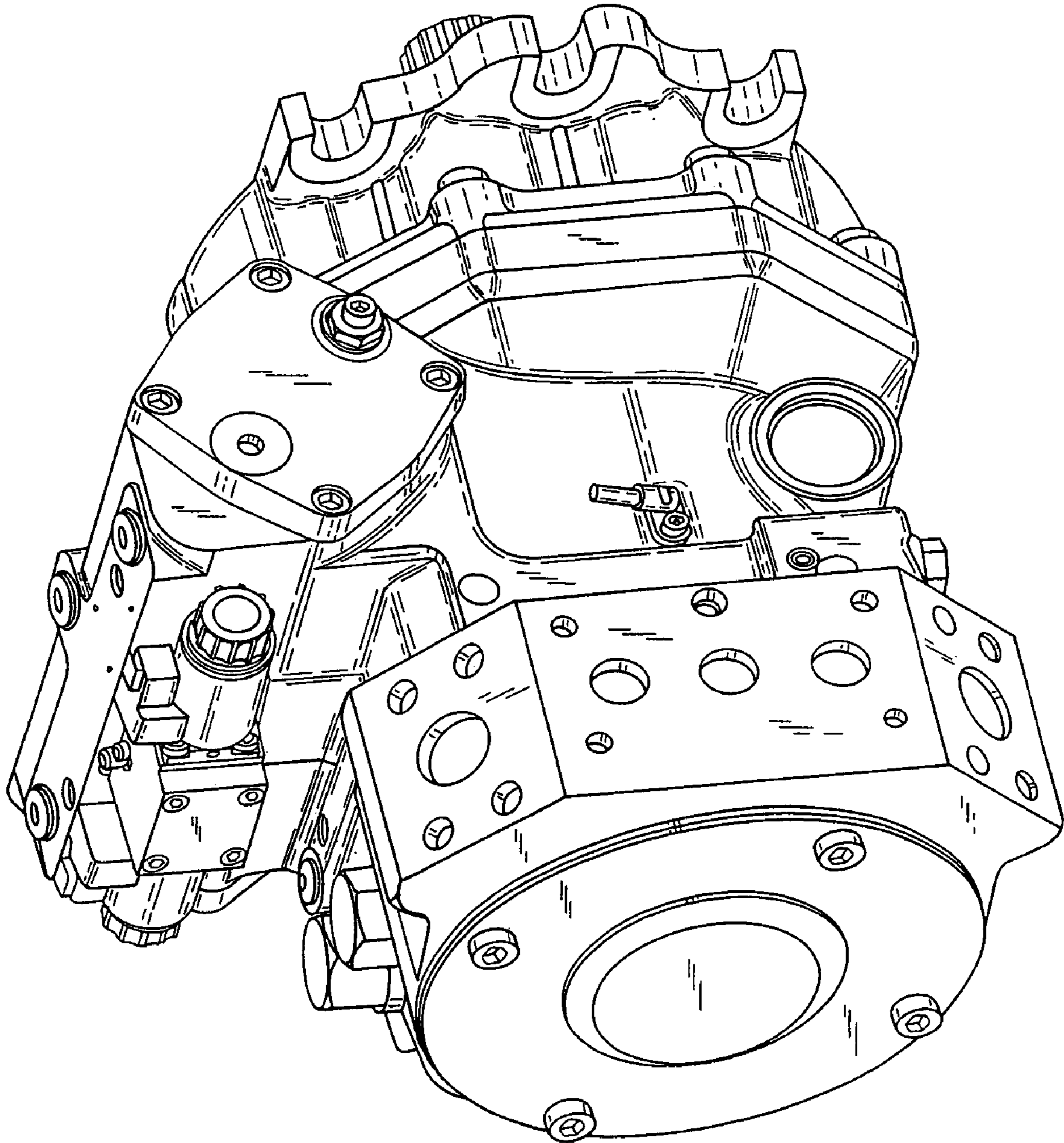


FIG. 1

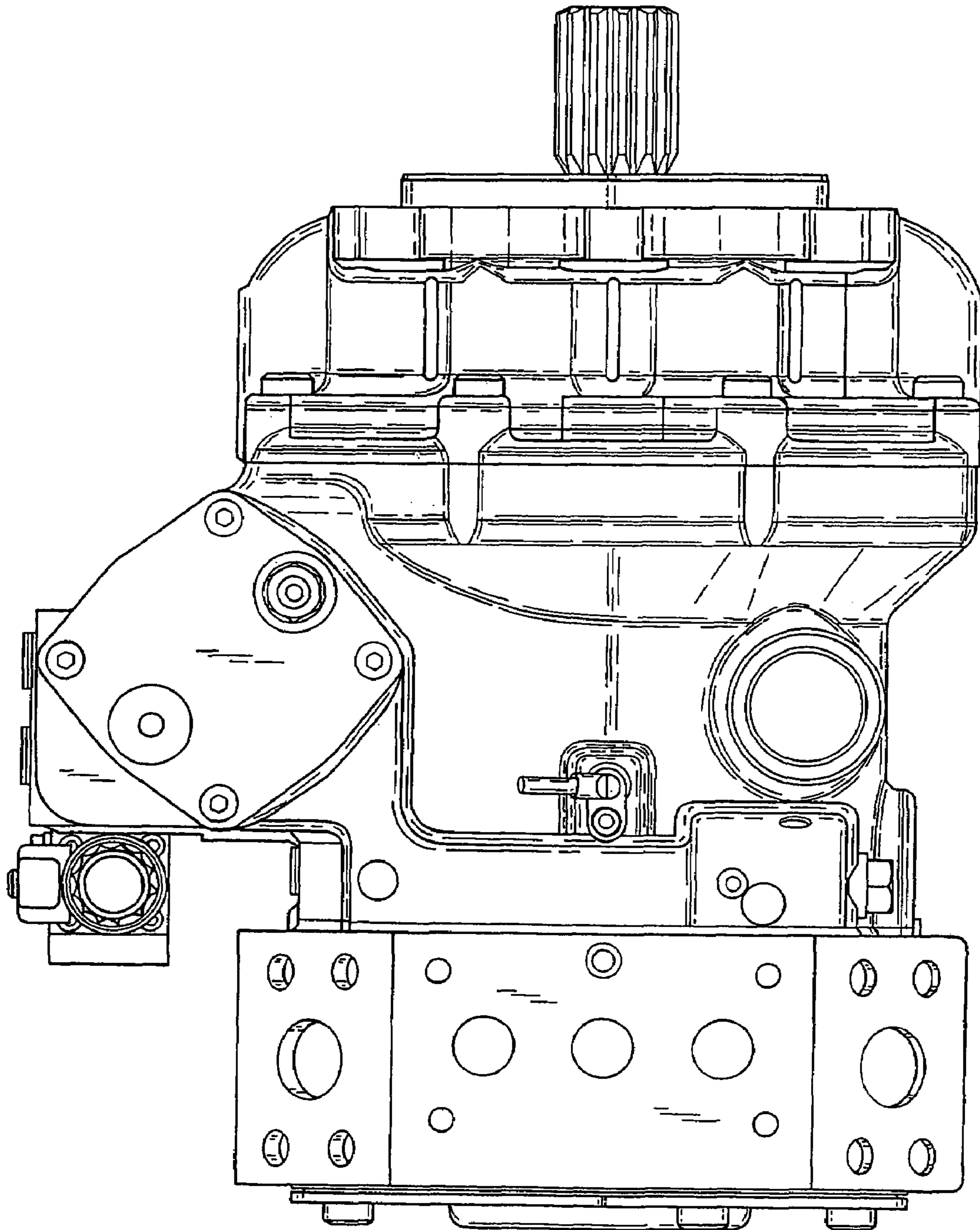


FIG. 2

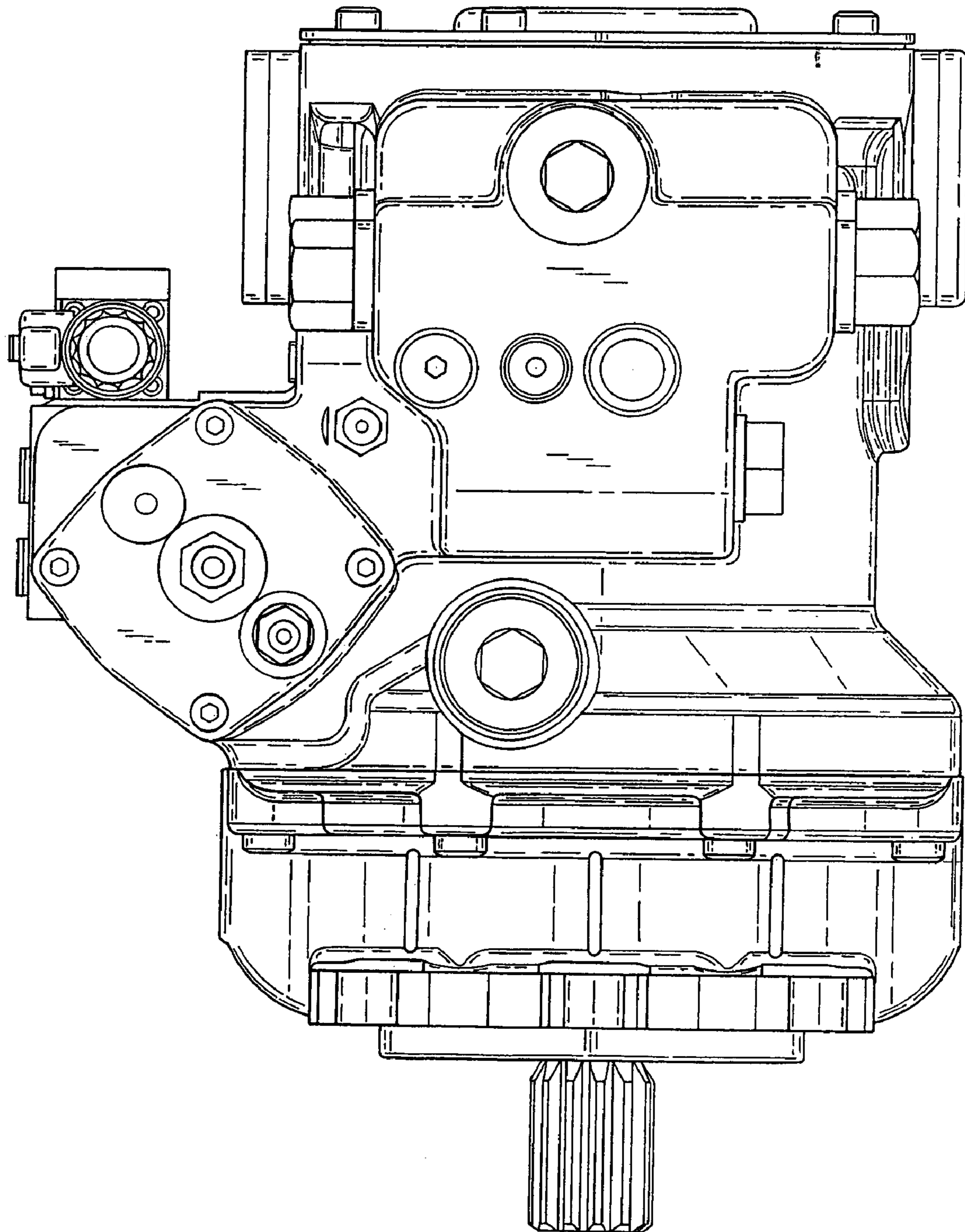


FIG. 3

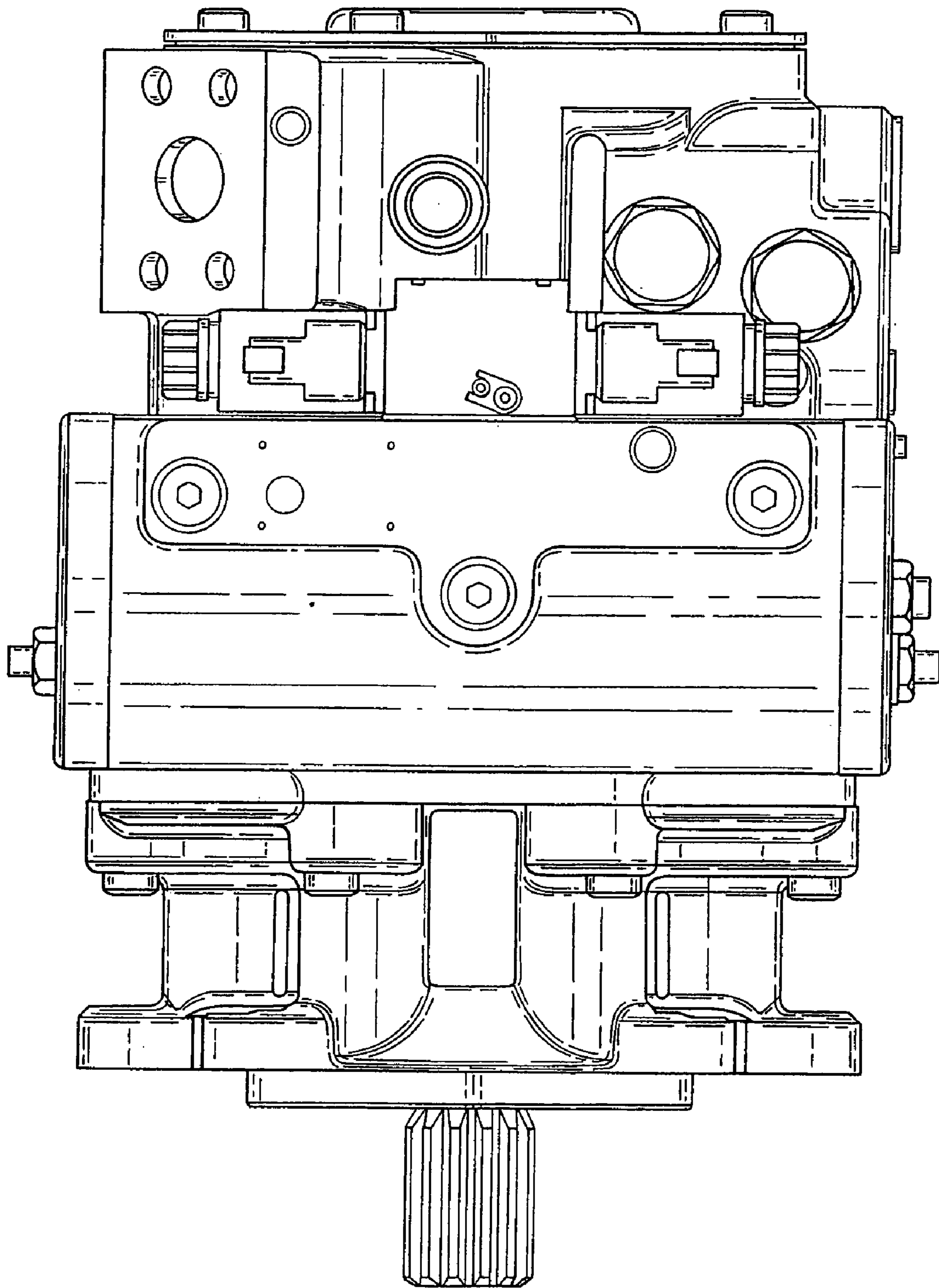


FIG. 4

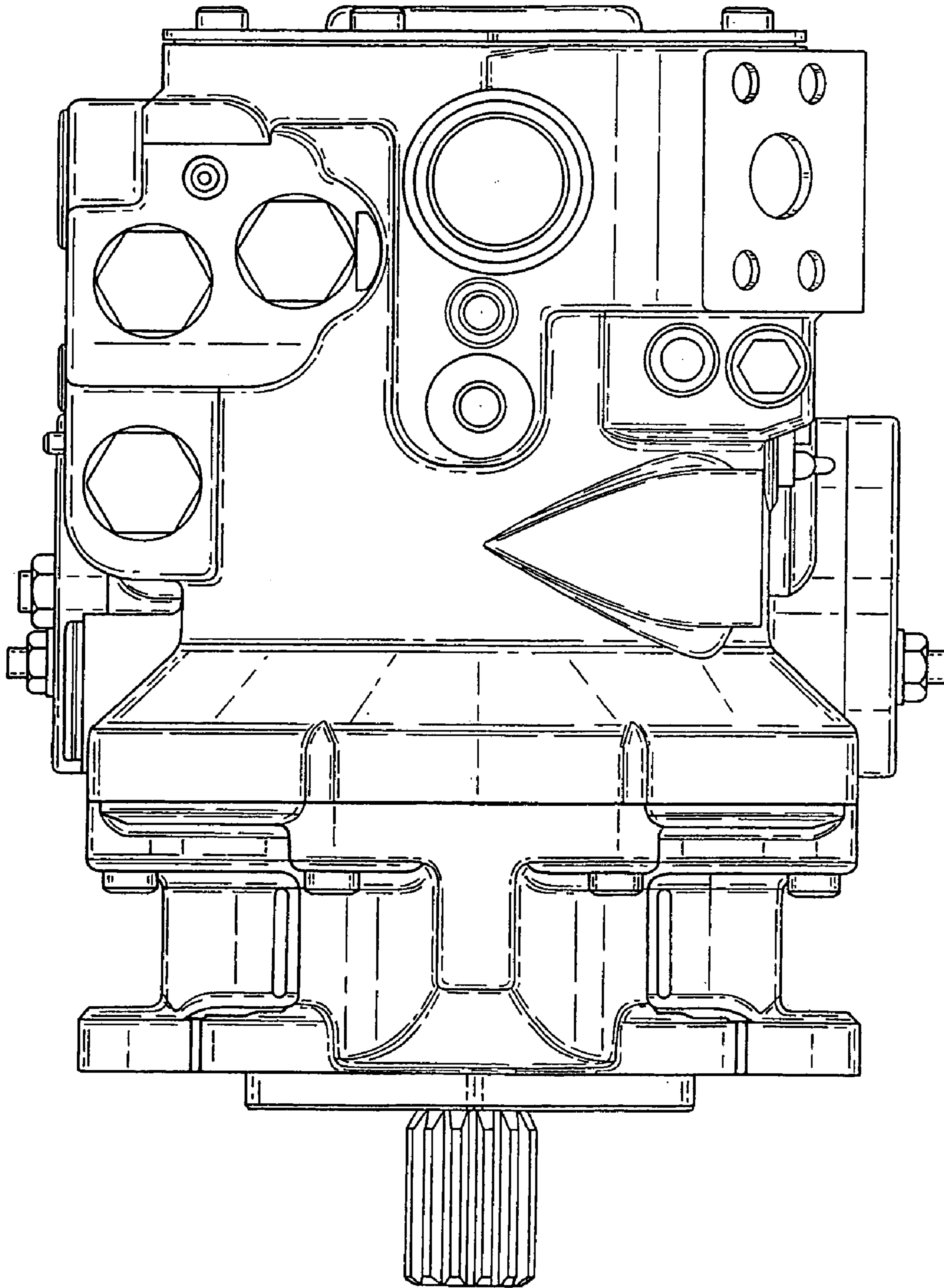


FIG. 5

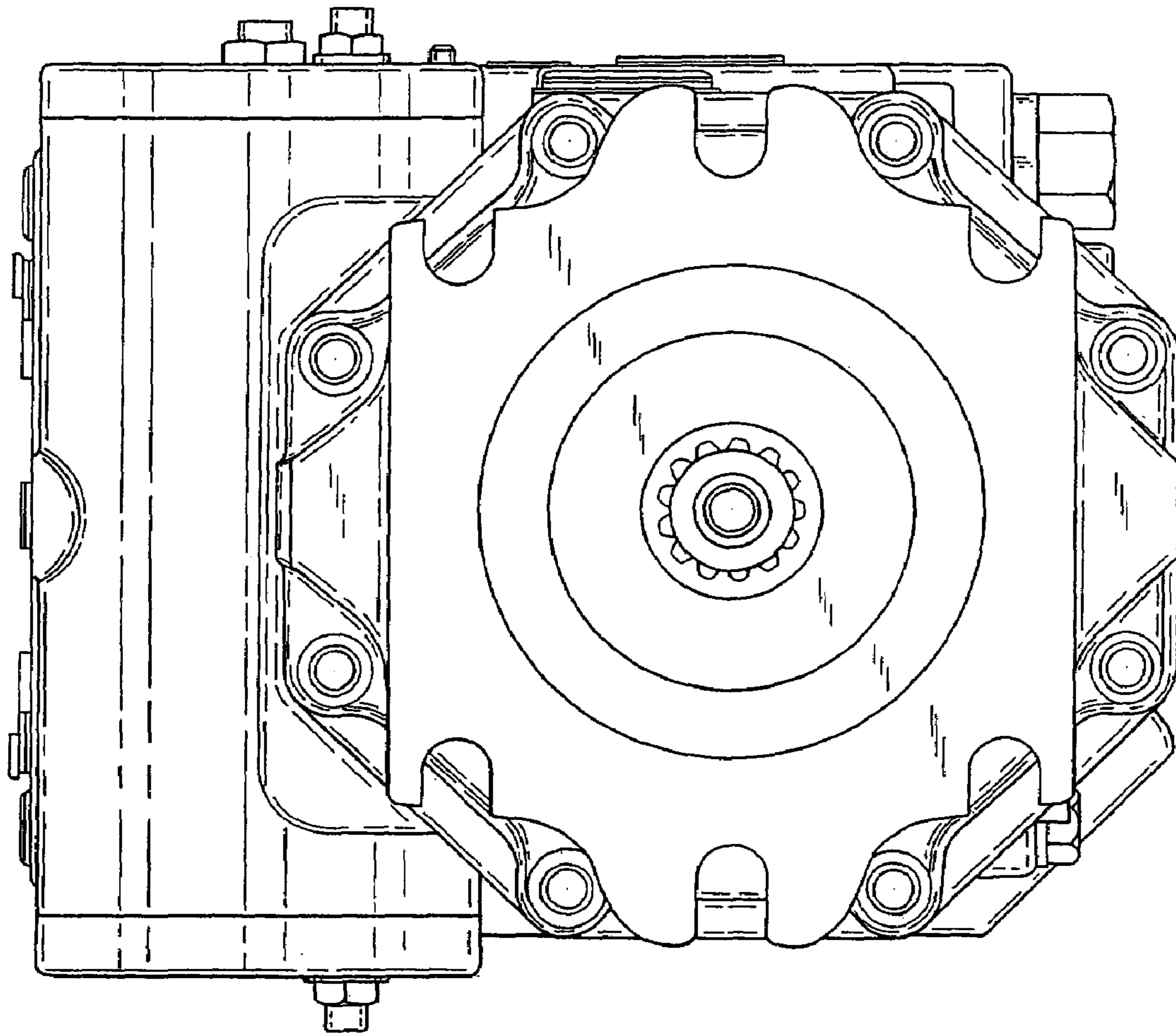


FIG. 6

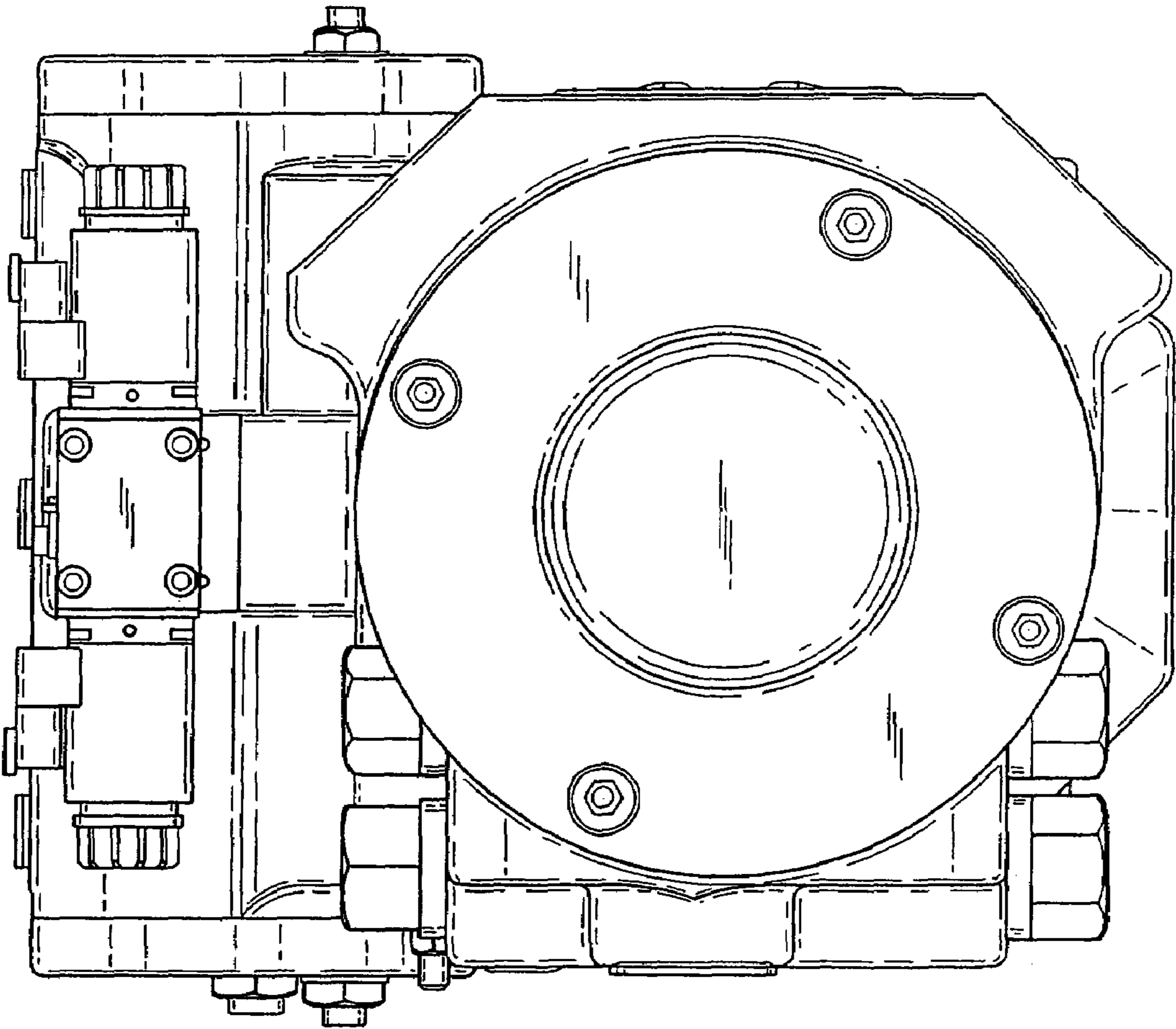


FIG. 7