



US00D547772S

(12) **United States Design Patent**  
**Hou et al.**

(10) **Patent No.:** **US D547,772 S**  
(45) **Date of Patent:** **\*\* Jul. 31, 2007**

(54) **PORTABLE MEDIA PLAYER**

(75) Inventors: **Yu-Sheng Hou**, Tucheng (TW);  
**Tzu-Cheng Yu**, Fullerton, CA (US);  
**Xue-Song Fan**, Shenzhen (CN);  
**Jing-Qin Mai**, Shenzhen (CN)

(73) Assignee: **Hon Hai Precision Industry Co., Ltd.**,  
Tu-Cheng, Taipei Hsien (TW)

(\*\*) Term: **14 Years**

(21) Appl. No.: **29/237,177**

(22) Filed: **Aug. 26, 2005**

(30) **Foreign Application Priority Data**

Mar. 30, 2005 (CN) ..... 2005 3 0055568

(51) **LOC (8) Cl.** ..... **14-03**

(52) **U.S. Cl.** ..... **D14/496**

(58) **Field of Classification Search** ..... D14/496,  
D14/401, 435, 474, 483, 217, 137, 138, 160,  
D14/168; 345/156, 169, 173-179, 905; 715/727-729,  
715/864; 455/11.1, 7, 73, 344-347, 93, 95;  
370/342-344; 369/1, 2, 6, 12; 463/43-47;  
273/148 B

See application file for complete search history.

(56) **References Cited**

**U.S. PATENT DOCUMENTS**

6,595,860 B1 \* 7/2003 Yamamoto et al. .... 463/43  
6,671,567 B1 \* 12/2003 Dwyer et al. .... 700/94  
D489,731 S \* 5/2004 Huang ..... D14/496  
D492,698 S \* 7/2004 Tsai ..... D14/496

6,769,603 B2 \* 8/2004 Nagai et al. .... 235/375  
D511,528 S \* 11/2005 Yang ..... D14/496  
D512,073 S \* 11/2005 Rodarte ..... D14/496  
D513,011 S \* 12/2005 Johnson ..... D14/496  
7,020,704 B1 \* 3/2006 Lipscomb et al. .... 709/226  
7,054,965 B2 \* 5/2006 Bell et al. .... 710/72  
D524,326 S \* 7/2006 Meng et al. .... D14/496

\* cited by examiner

*Primary Examiner*—Prabhakar Deshmukh

(74) *Attorney, Agent, or Firm*—Jeffrey T. Knapp; Wei-Te Chung

(57) **CLAIM**

The ornamental design for a portable media player, as shown and described.

**DESCRIPTION**

FIG. 1 is a perspective view of a portable media player showing our new design;

FIG. 2 is a front elevation view thereof;

FIG. 3 is a rear elevational view thereof;

FIG. 4 is a left side elevational view thereof;

FIG. 5 is a right side elevational view thereof;

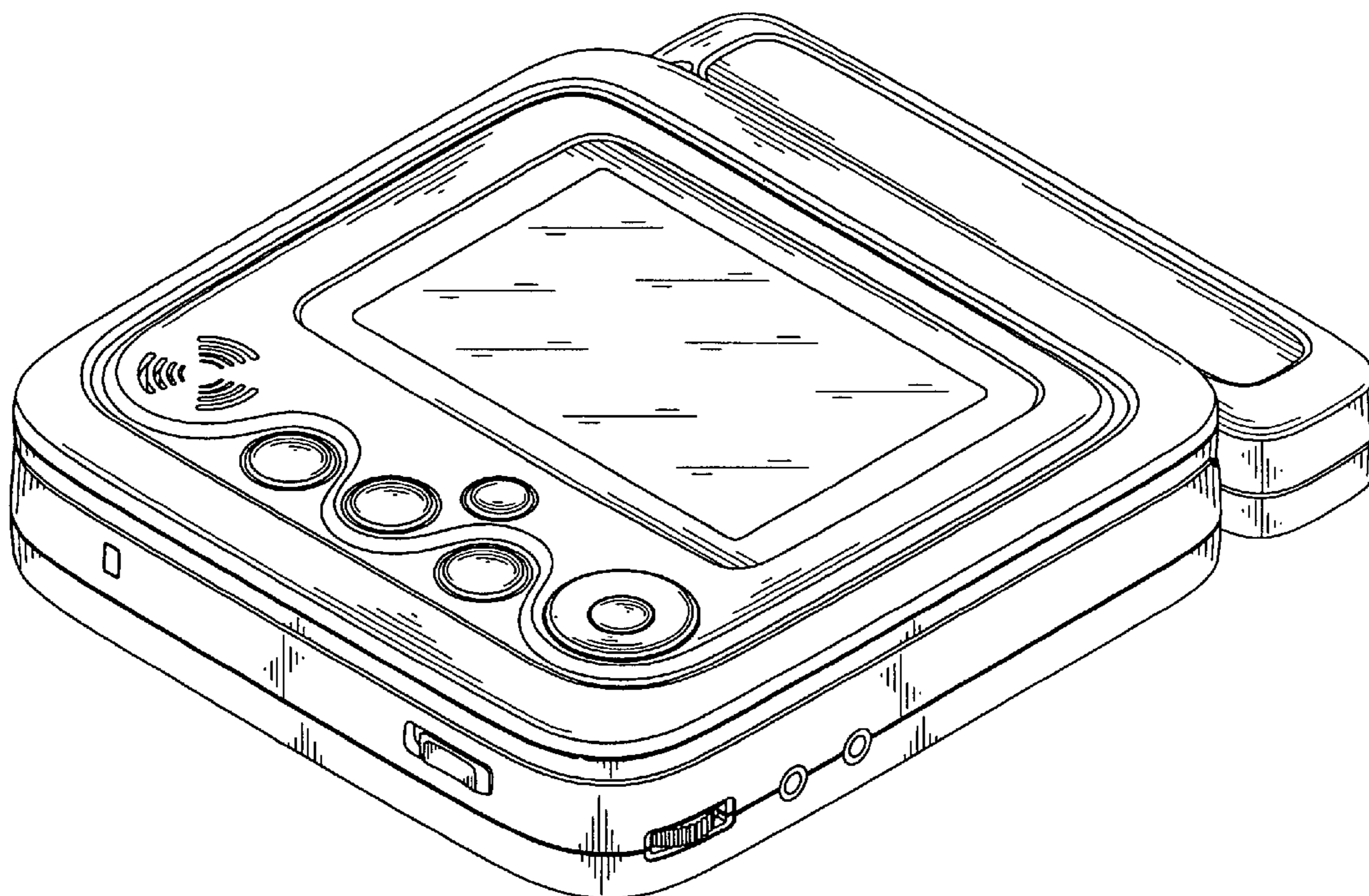
FIG. 6 is a top plan view thereof;

FIG. 7 is a bottom plan view thereof; and,

FIG. 8 is a perspective view thereof, shown in an open position.

The broken lines in FIG. 8 are for illustrative purpose only and form no part of the claimed design.

**1 Claim, 6 Drawing Sheets**



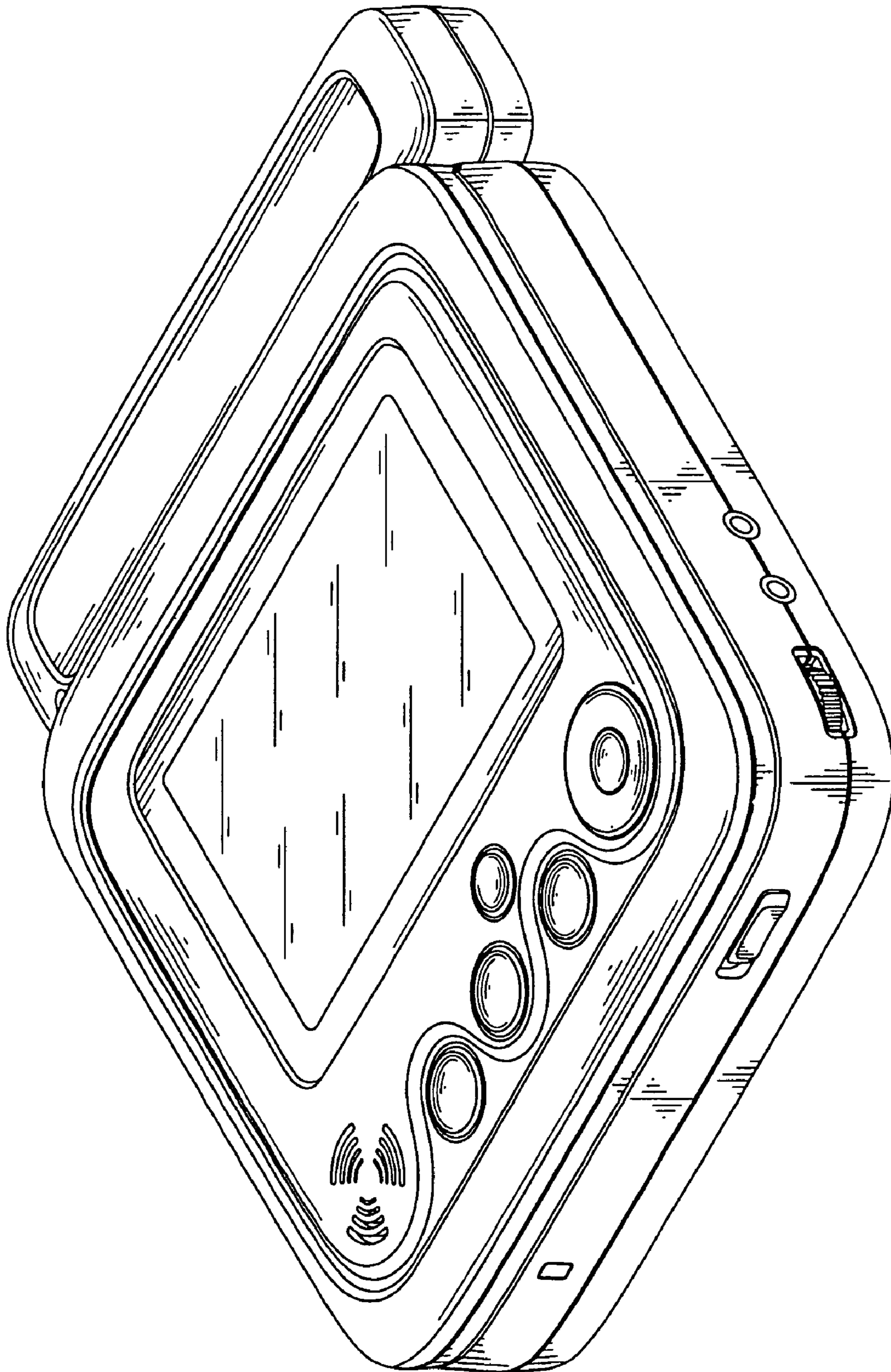


FIG. 1

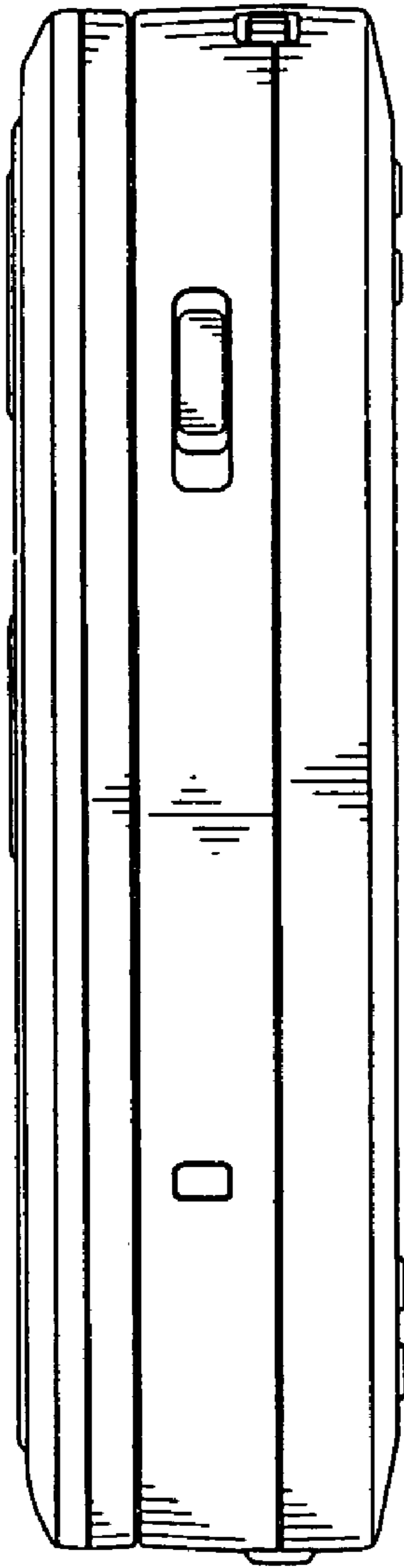


FIG. 2

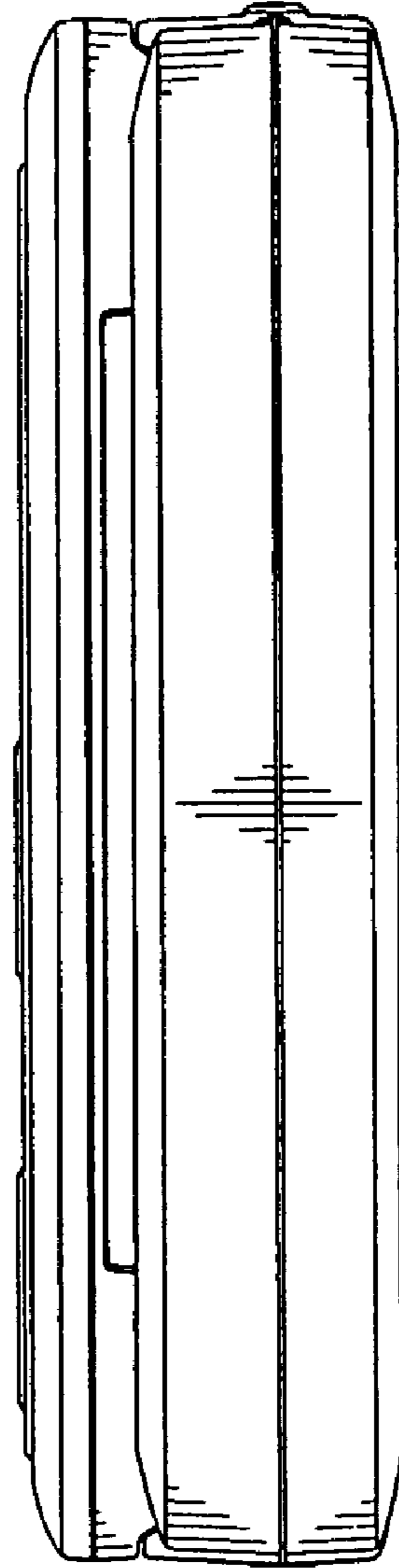


FIG. 3



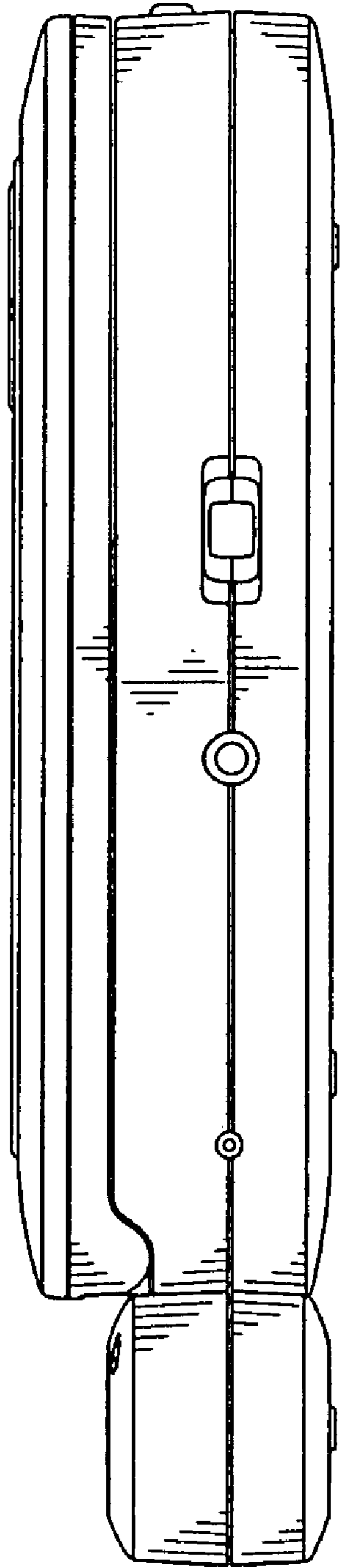


FIG. 4

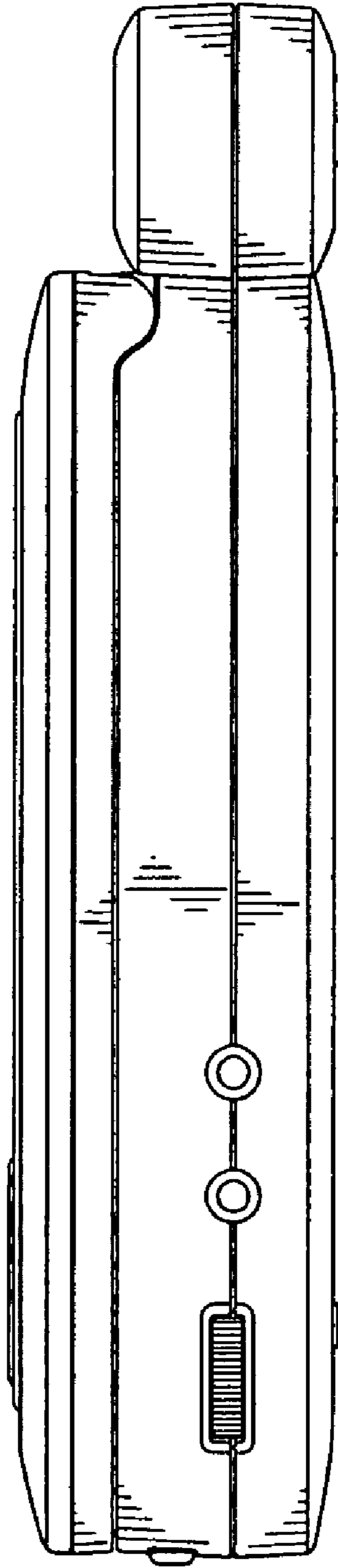


FIG. 5

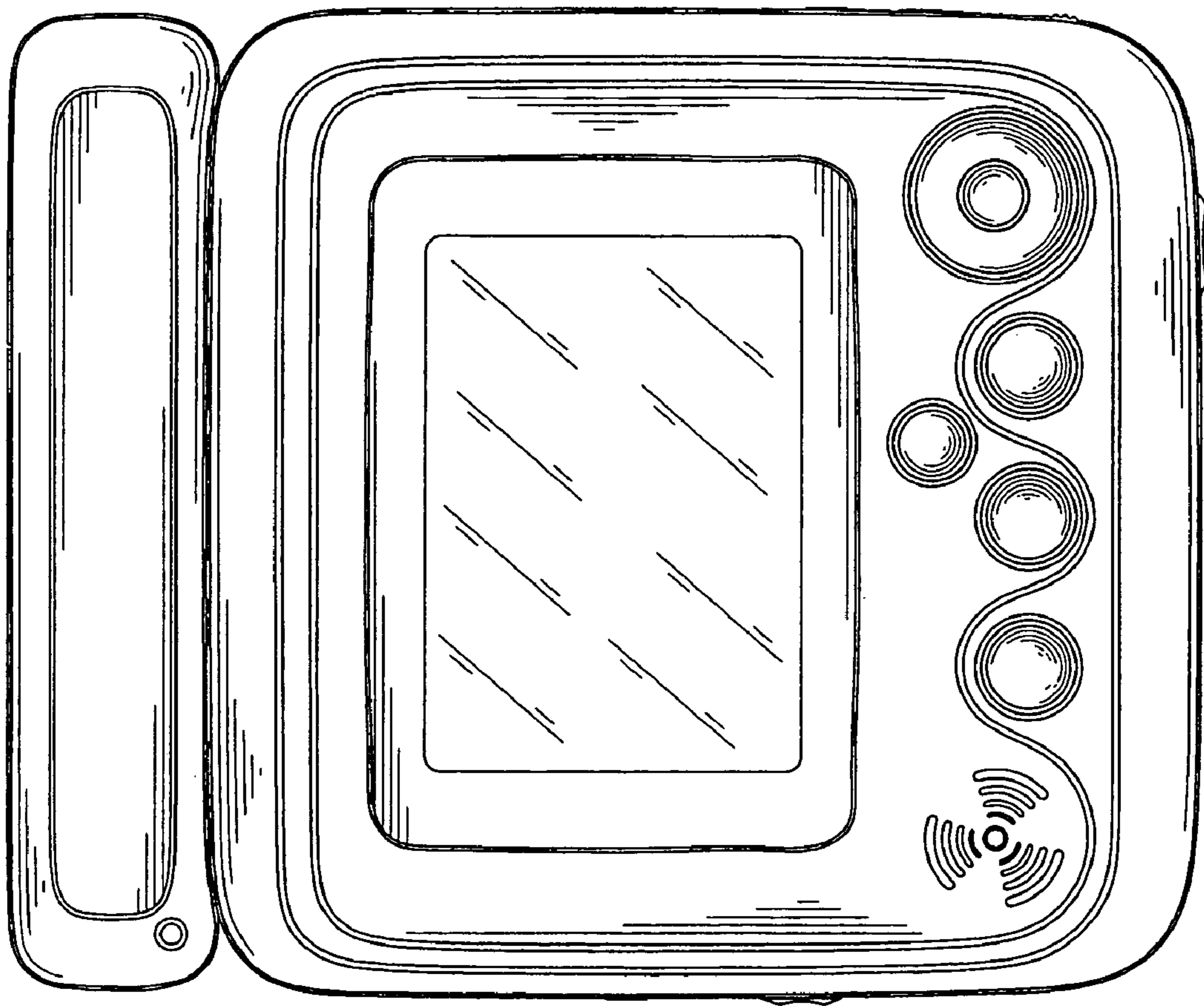


FIG. 6

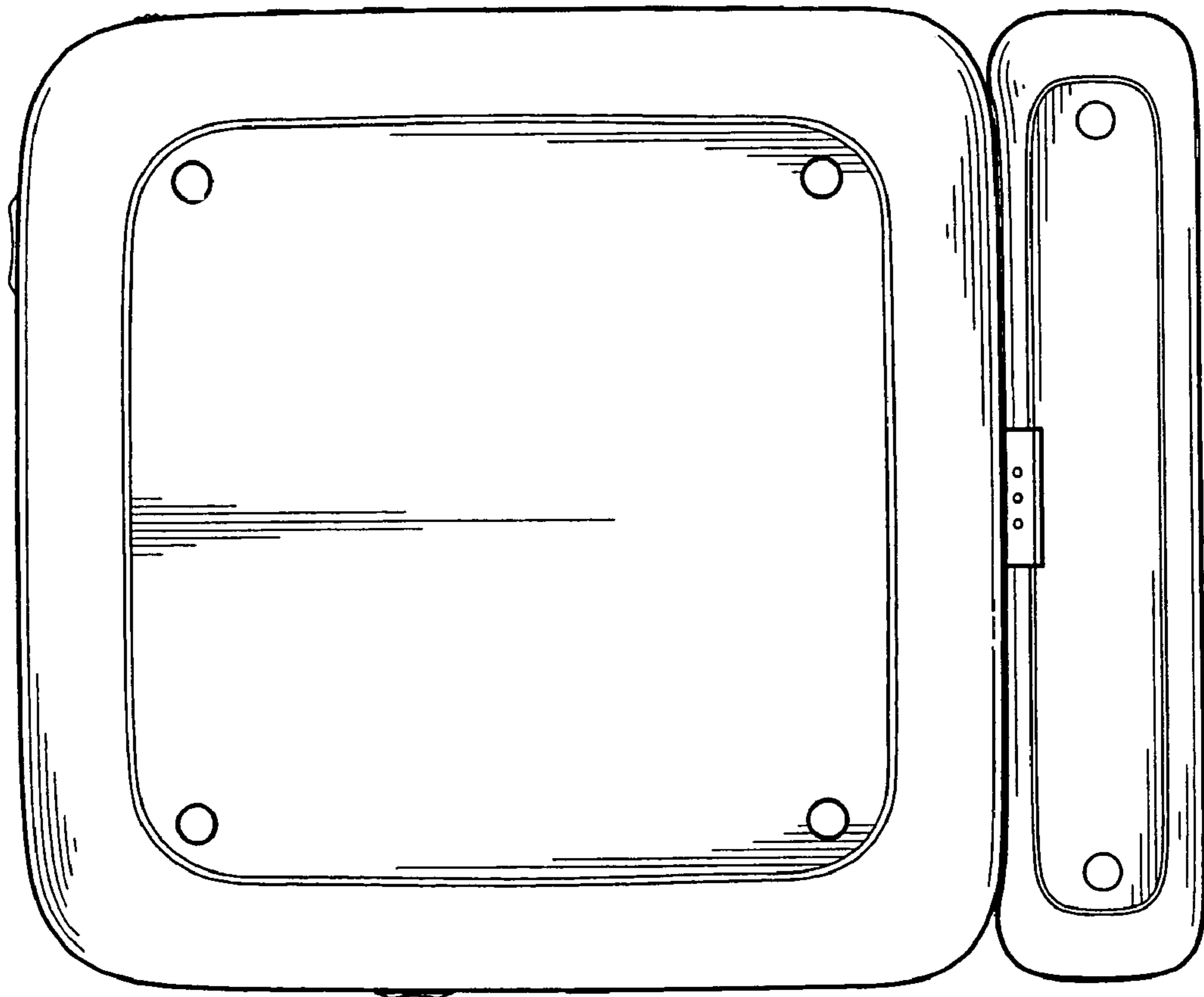


FIG. 7

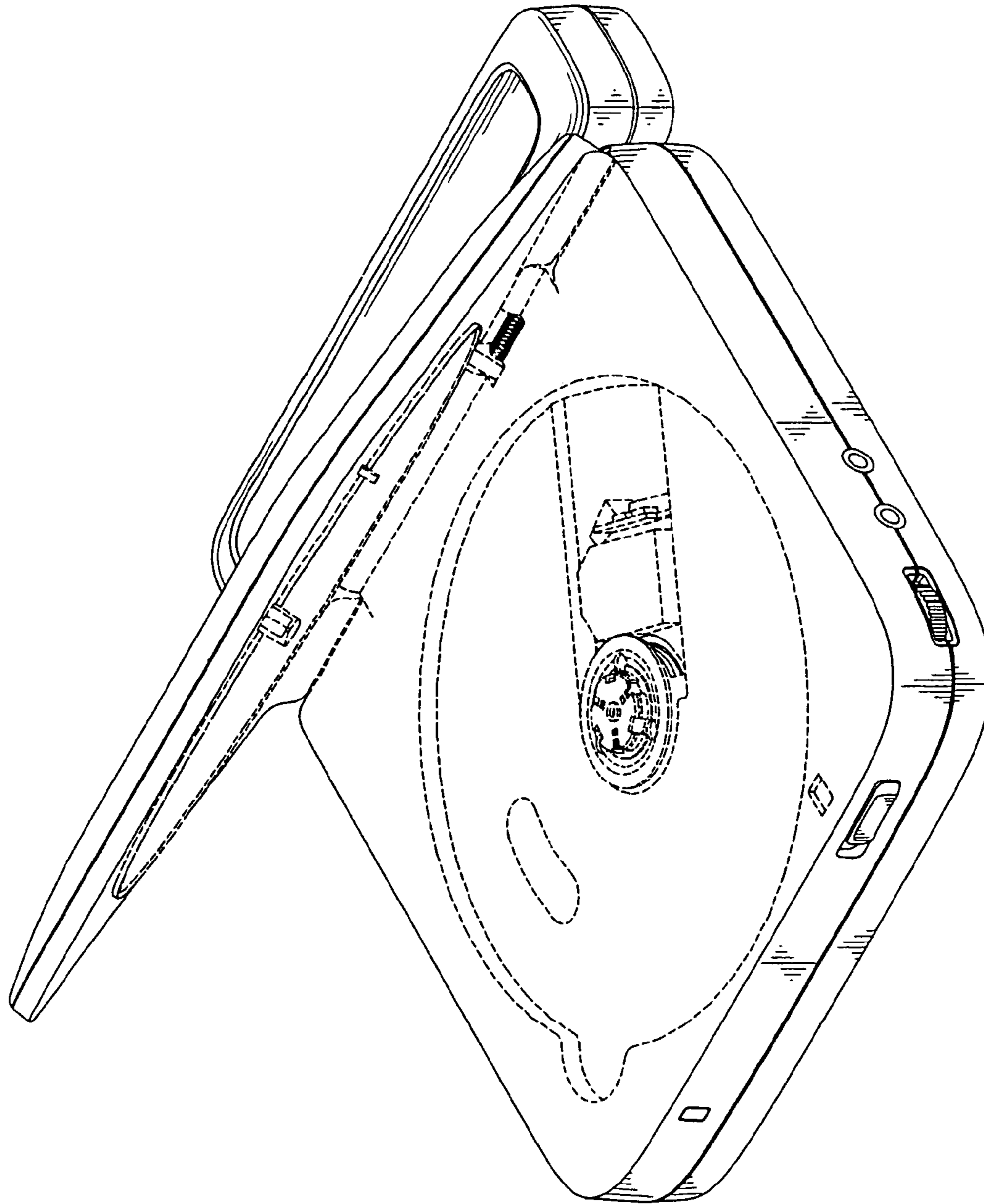


FIG. 8