



US00D547771S

(12) **United States Design Patent**  
**Patton et al.**

(10) **Patent No.:** **US D547,771 S**  
(45) **Date of Patent:** **\*\* Jul. 31, 2007**

(54) **AUDIO/VIDEO APPARATUS**

(75) Inventors: **Douglas Patton**, Irvine, CA (US);  
**Christopher Anzalone**, Foothill Ranch,  
CA (US); **Ryan David Redenbaugh**,  
Huntington Beach, CA (US)

(73) Assignee: **Opta Systems, LLC**, Scottsdale, AZ  
(US)

(\*\*) Term: **14 Years**

(21) Appl. No.: **29/220,649**

(22) Filed: **Jan. 4, 2005**

(51) **LOC (8) Cl.** ..... **14-03**

(52) **U.S. Cl.** ..... **D14/496**

(58) **Field of Classification Search** ..... D14/125,  
D14/135, 136, 160-165, 167, 168, 156, 157,  
D14/188, 193-198, 217, 218, 257, 258, 265,  
D14/496; 273/148 B, 148 R; 360/99.02;  
369/6, 75.11, 75.21, 77.11, 77.21; 455/344,  
455/347-351; 720/601, 619, 647, 655

See application file for complete search history.

(56) **References Cited**

**U.S. PATENT DOCUMENTS**

D460,063 S \* 7/2002 Oikawa et al. .... D14/168  
D484,493 S \* 12/2003 Oross et al. .... D14/218

D488,798 S \* 4/2004 Ishii et al. .... D14/168  
D499,706 S \* 12/2004 Kawano ..... D14/135  
D506,734 S \* 6/2005 Oikawa ..... D14/136  
D512,027 S \* 11/2005 Sarasjoki et al. .... D13/168  
D519,978 S \* 5/2006 Sogabe ..... D14/156  
D520,477 S \* 5/2006 Yoshitake et al. .... D14/135  
D529,464 S \* 10/2006 Lim et al. .... D14/136  
D530,721 S \* 10/2006 Skinner et al. .... D14/496

\* cited by examiner

*Primary Examiner*—Stella Reid  
*Assistant Examiner*—Keli' L. Acker

(74) *Attorney, Agent, or Firm*—Burns & Levinson LLP;  
Harvey Kaye

(57) **CLAIM**

The ornamental design for an audio/video apparatus, as shown and described.

**DESCRIPTION**

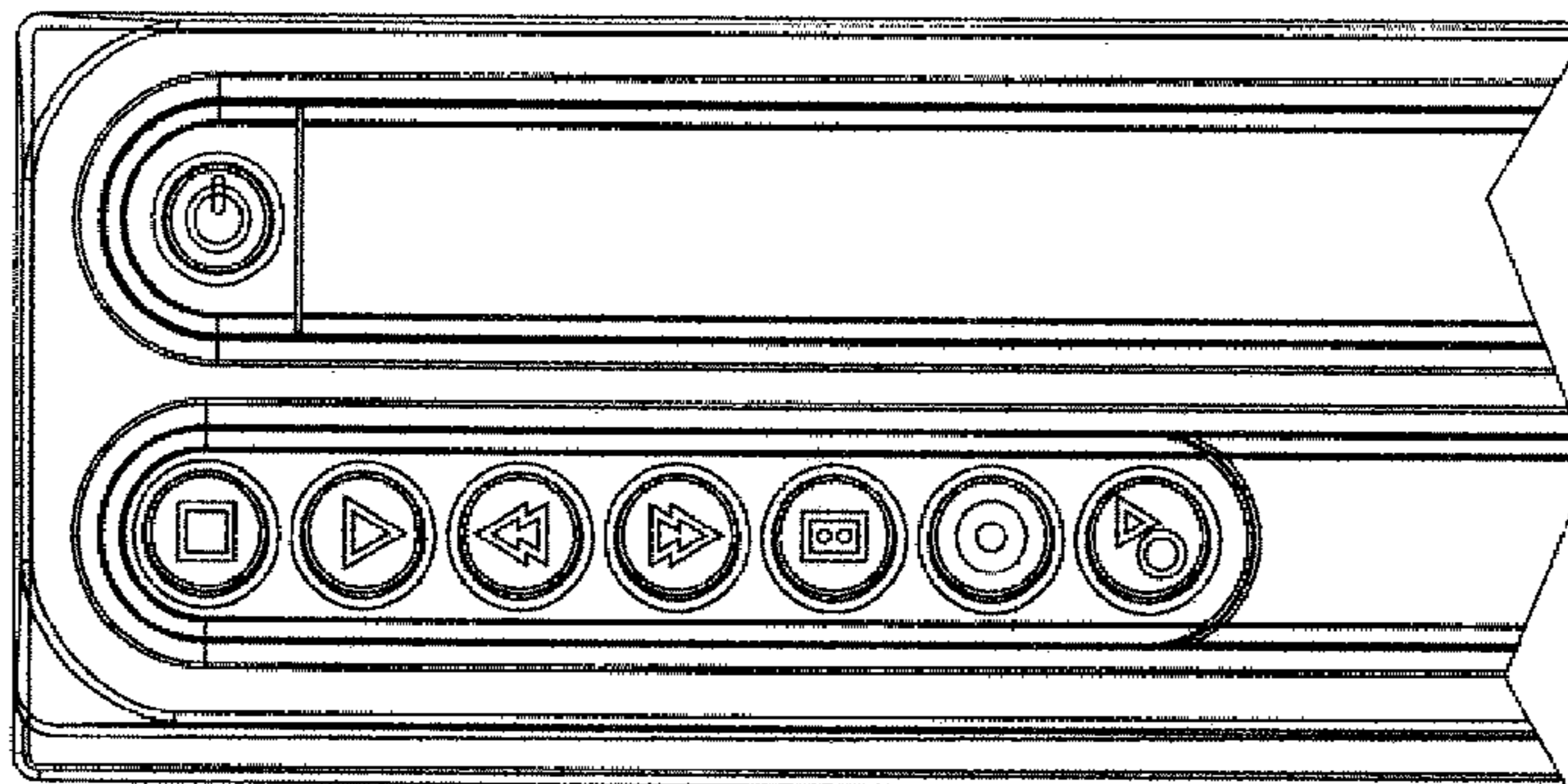
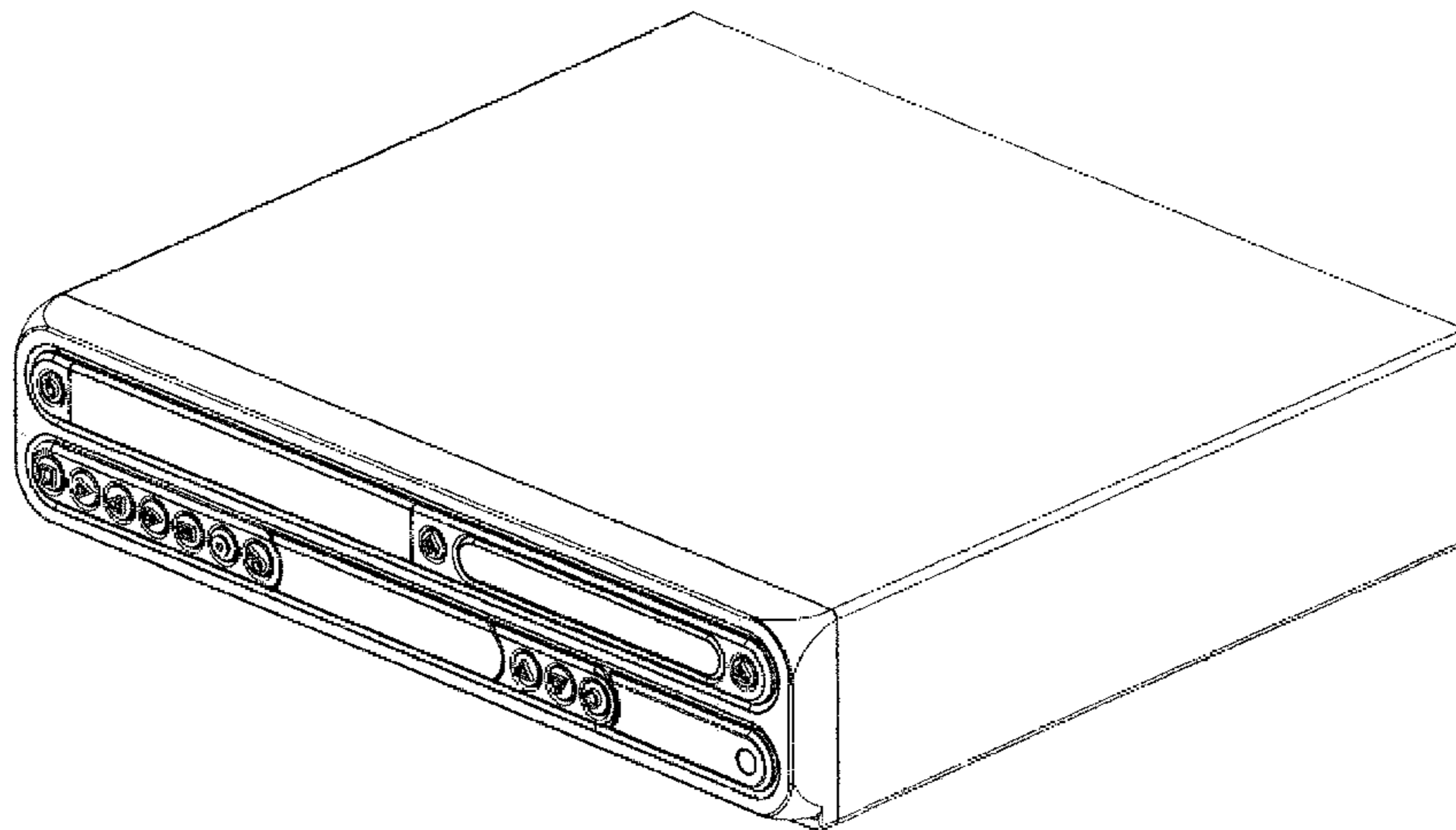
FIG. 1 is an isometric view of an audio/video apparatus, embodying my new design;

FIG. 2 is a front elevation view thereof;

FIG. 3 is an enlarged partial front elevation view thereof; and,

FIG. 4 is a side view thereof.

**1 Claim, 3 Drawing Sheets**



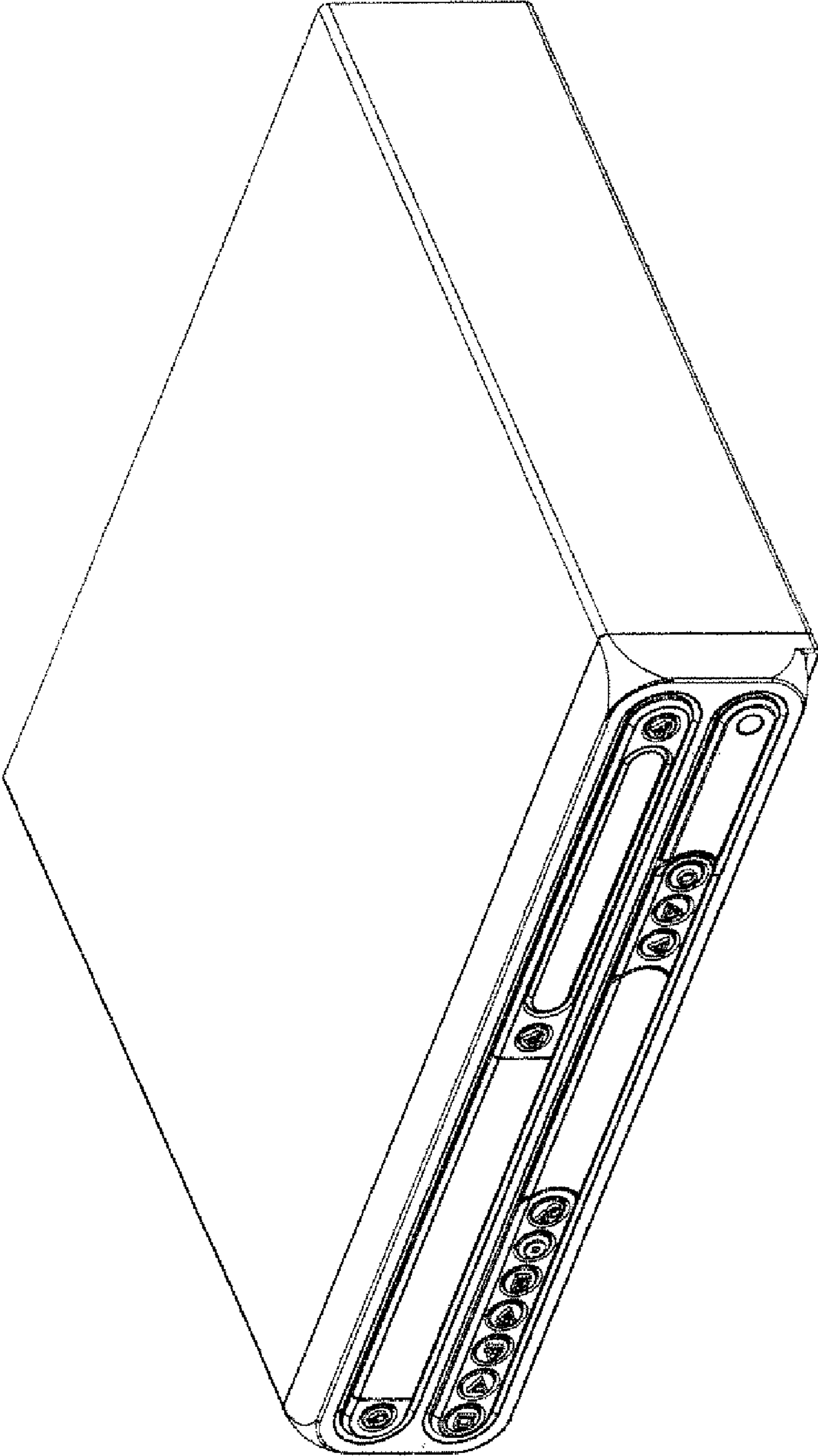


FIG. 1

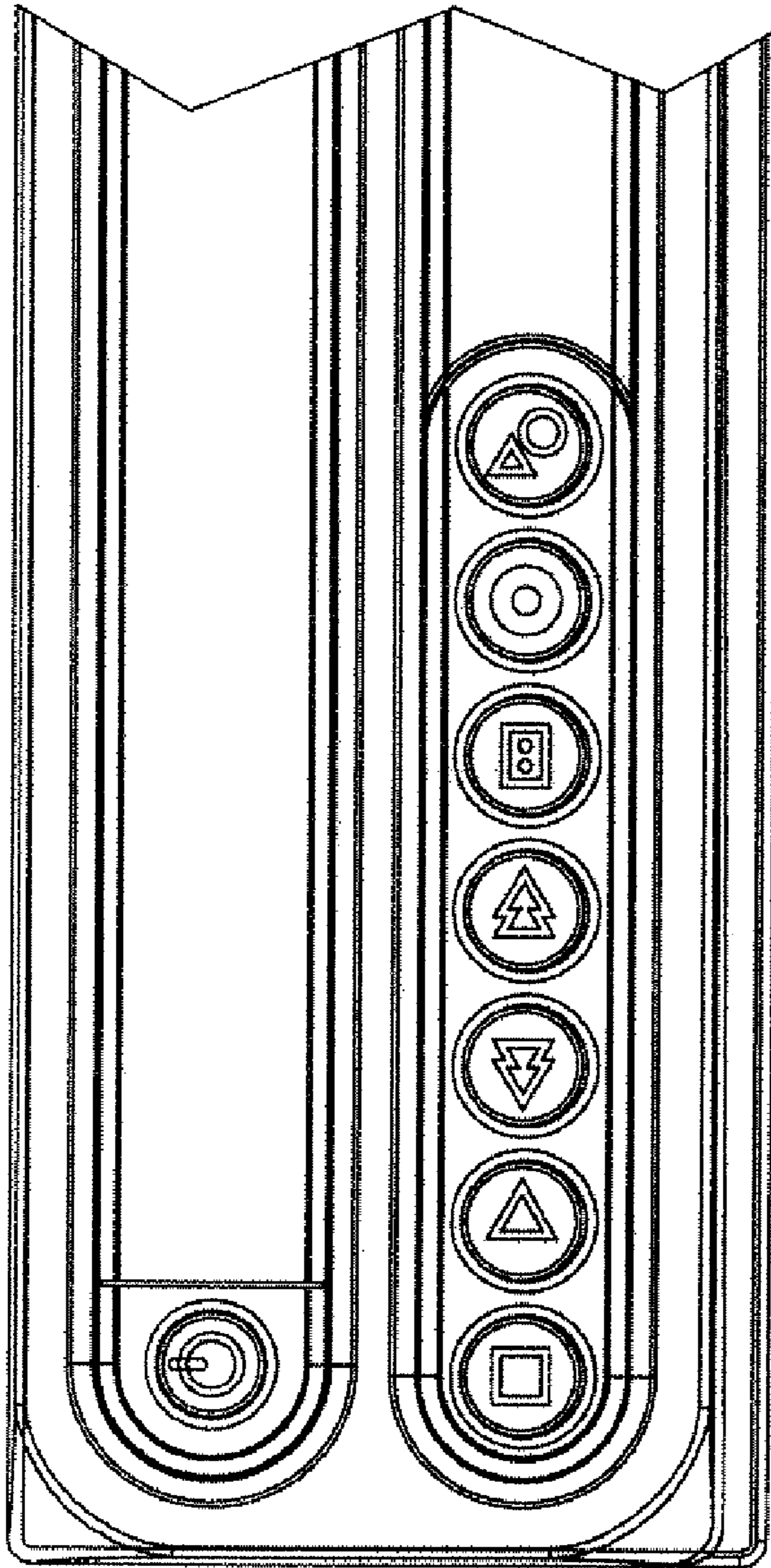


FIG. 3

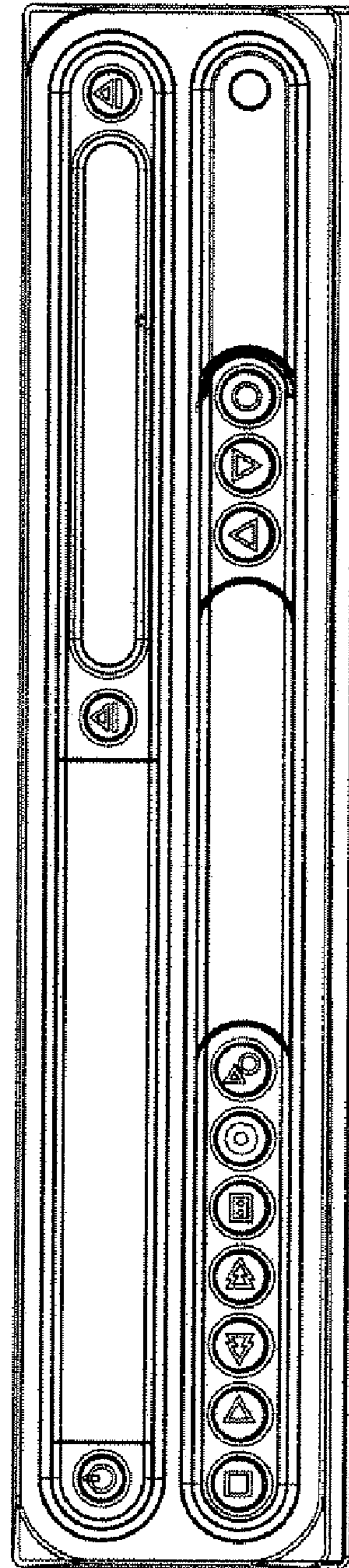


FIG. 2

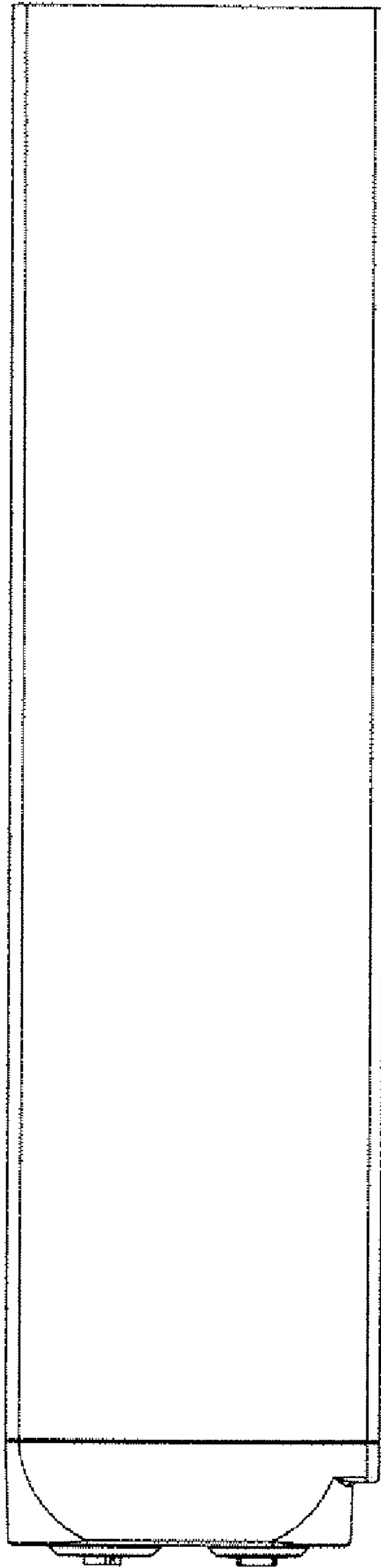


FIG. 4