

US00D547761S

(12) **United States Design Patent**  
**Hui**

(10) **Patent No.:** **US D547,761 S**

(45) **Date of Patent:** **\*\* Jul. 31, 2007**

(54) **DECORATIVE HOUSING FOR A PSP TO TV ADAPTOR**

(76) **Inventor:** **Man Pun Hui**, Shop C, G/F, Yee Wah Court, No. 182 Fakwa SF., Sham Shui Po, Kowloon (HK)

(\*\*) **Term:** **14 Years**

(21) **Appl. No.:** **29/241,852**

(22) **Filed:** **Nov. 1, 2005**

(51) **LOC (8) Cl.** ..... **14-02**

(52) **U.S. Cl.** ..... **D14/433; D13/133**

(58) **Field of Classification Search** ..... D14/432-435, D14/496, 217; D13/133, 137.2, 123, 154; D21/324, 332; 273/148 B; 463/1, 37, 38, 463/46, 47; 379/428.01-428.04, 434, 440; 455/554.2, 91, 575.1

See application file for complete search history.

(56) **References Cited**

**U.S. PATENT DOCUMENTS**

5,779,499	A *	7/1998	Sette et al.	.....	439/540.1
D478,087	S *	8/2003	Aldridge	.....	D14/433
6,612,875	B1 *	9/2003	Liao	.....	439/675
D483,373	S *	12/2003	Huang	.....	D14/433
D491,613	S *	6/2004	Kawabata	.....	D21/333

D493,175	S *	7/2004	Schmidt et al.	.....	D14/433
D516,561	S *	3/2006	Tagliabue et al.	.....	D14/433
D519,465	S *	4/2006	Sirichai et al.	.....	D13/156
D525,208	S *	7/2006	Christianson	.....	D13/154
7,090,538	B1 *	8/2006	Huang	.....	439/638
D531,579	S *	11/2006	Peng et al.	.....	D13/147
D532,423	S *	11/2006	Lee et al.	.....	D14/435

\* cited by examiner

*Primary Examiner*—Prabhakar Deshmukh

(74) *Attorney, Agent, or Firm*—Eric Hanscom

(57) **CLAIM**

The ornamental design for a decorative housing for a PSP to TV adaptor, as shown.

**DESCRIPTION**

FIG. 1 is a Perspective View of a decorative housing for a PSP to TV adaptor showing my new design;

FIG. 2 is a Top View thereof;

FIG. 3 is a Bottom View thereof;

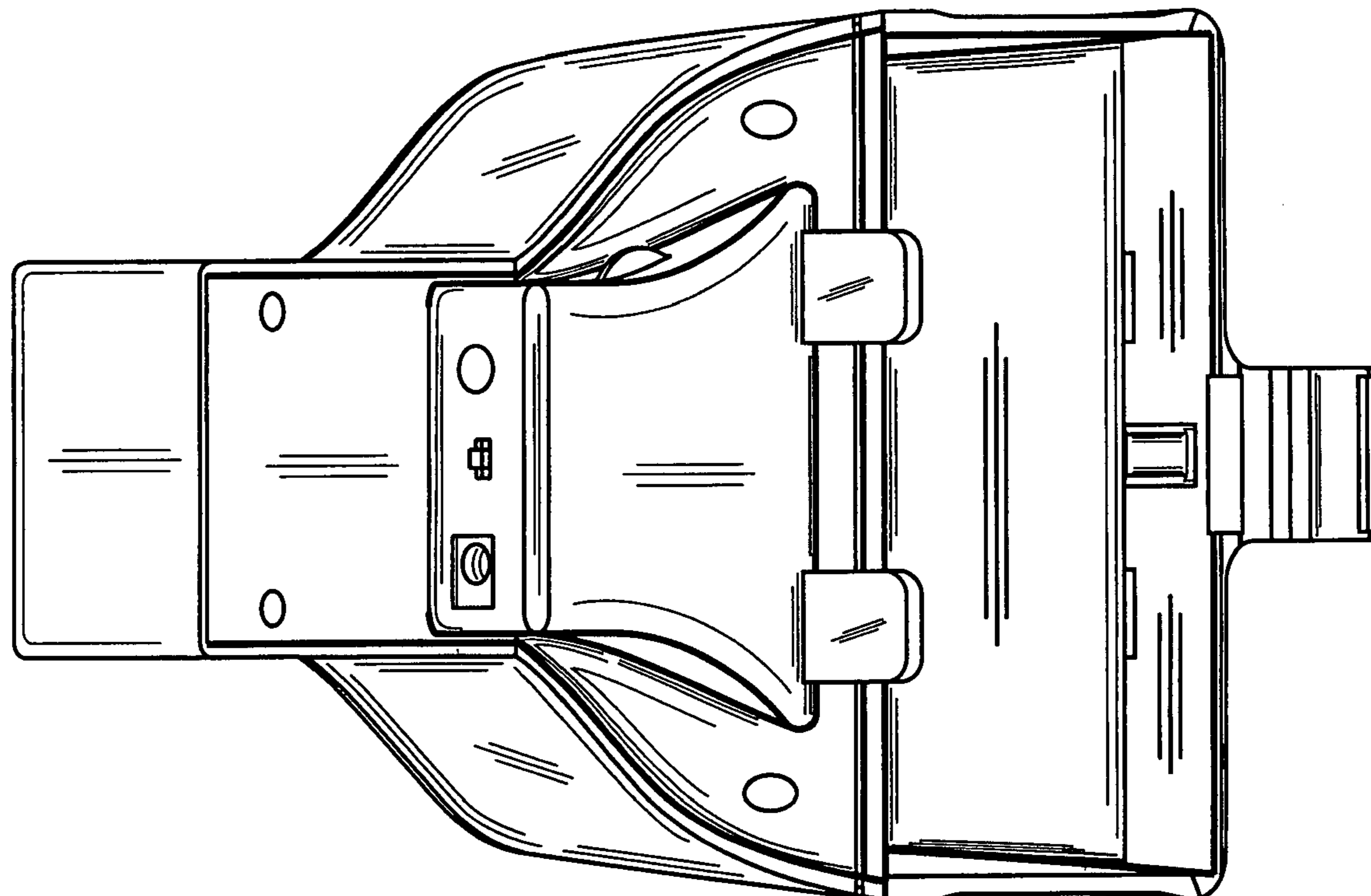
FIG. 4 is a Right Side View thereof;

FIG. 5 is a Left Side View thereof;

FIG. 6 is a Front View thereof; and,

FIG. 7 is a Rear View thereof.

**1 Claim, 6 Drawing Sheets**



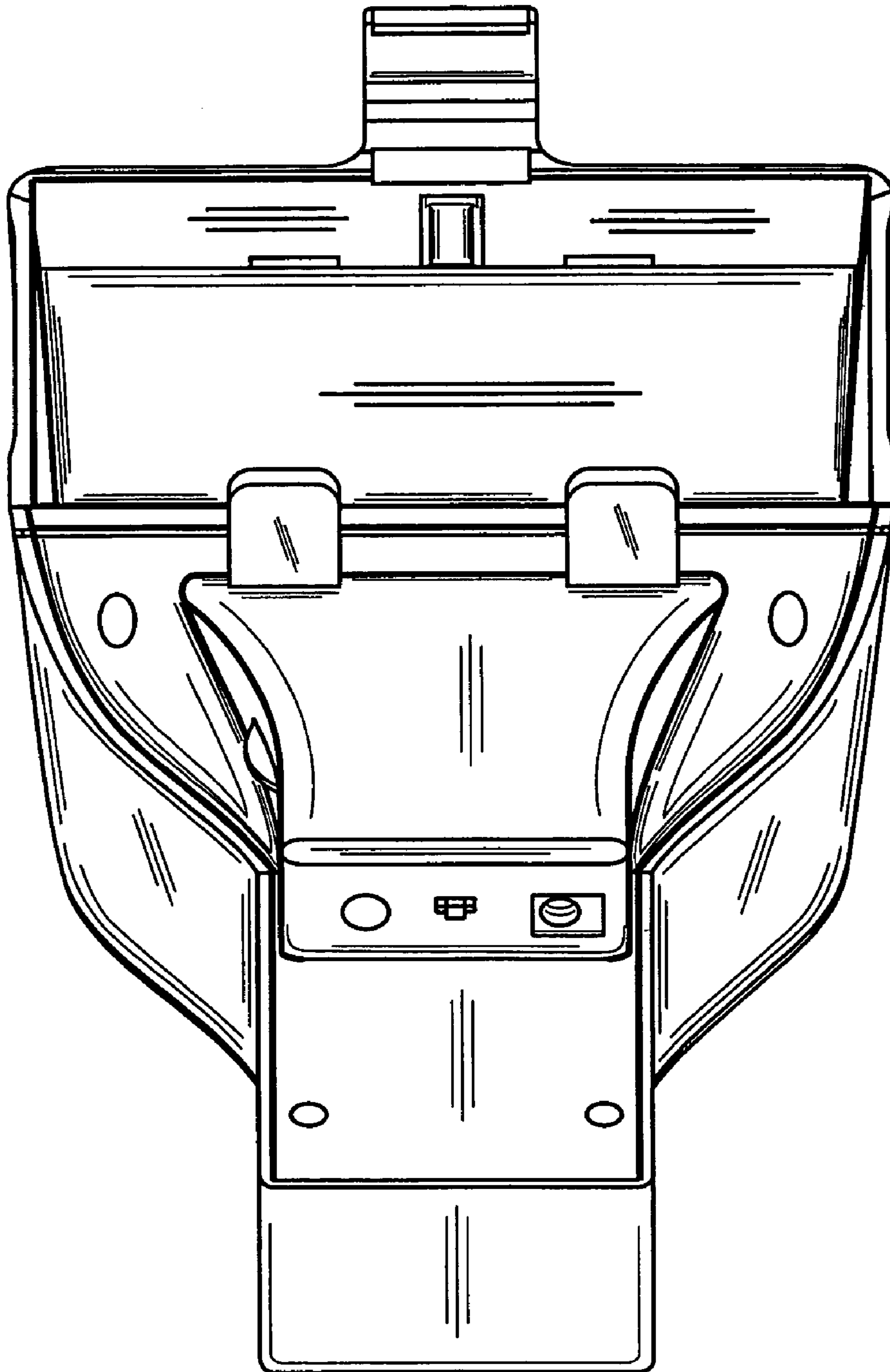


FIG. 1

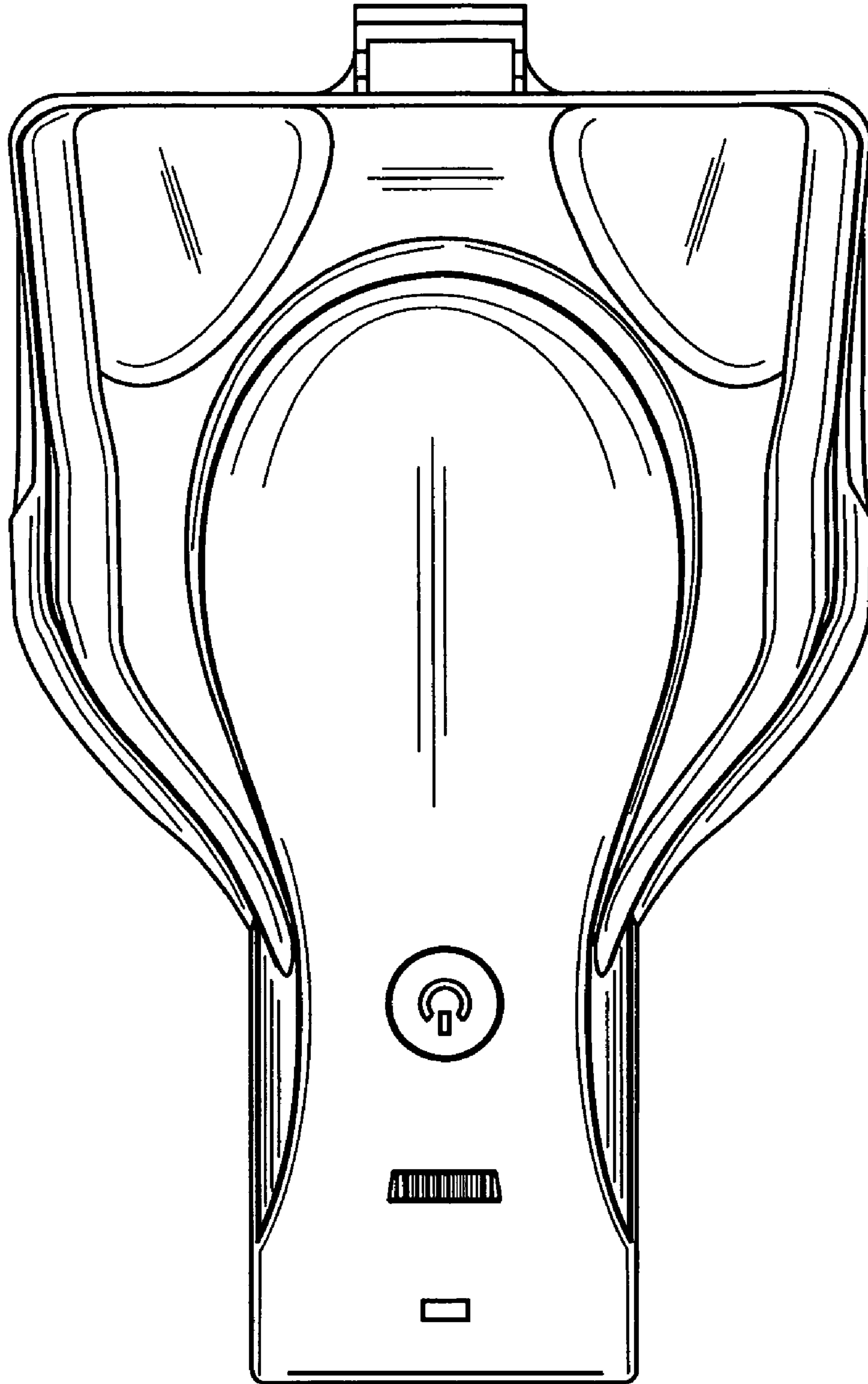


FIG. 2

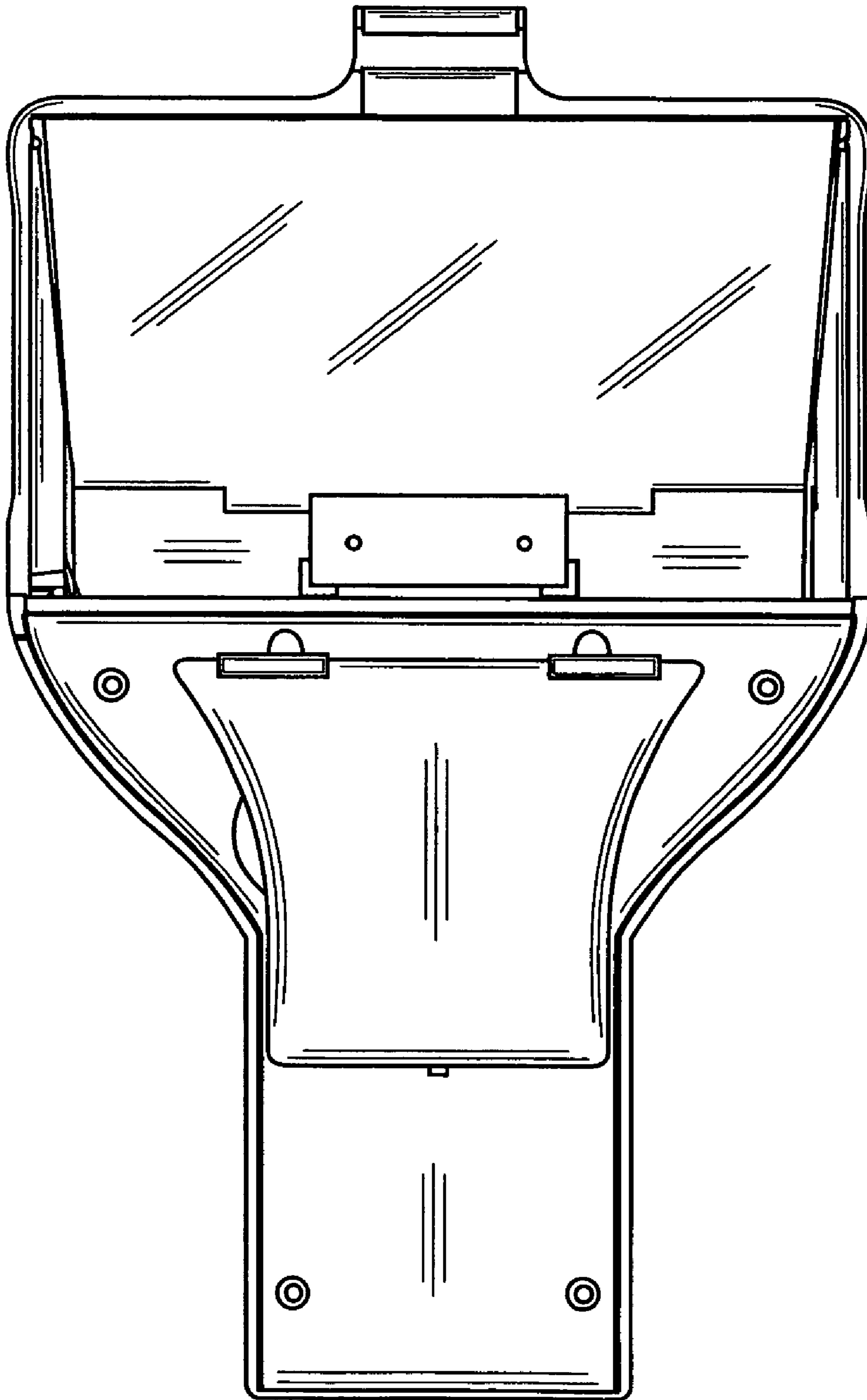


FIG. 3

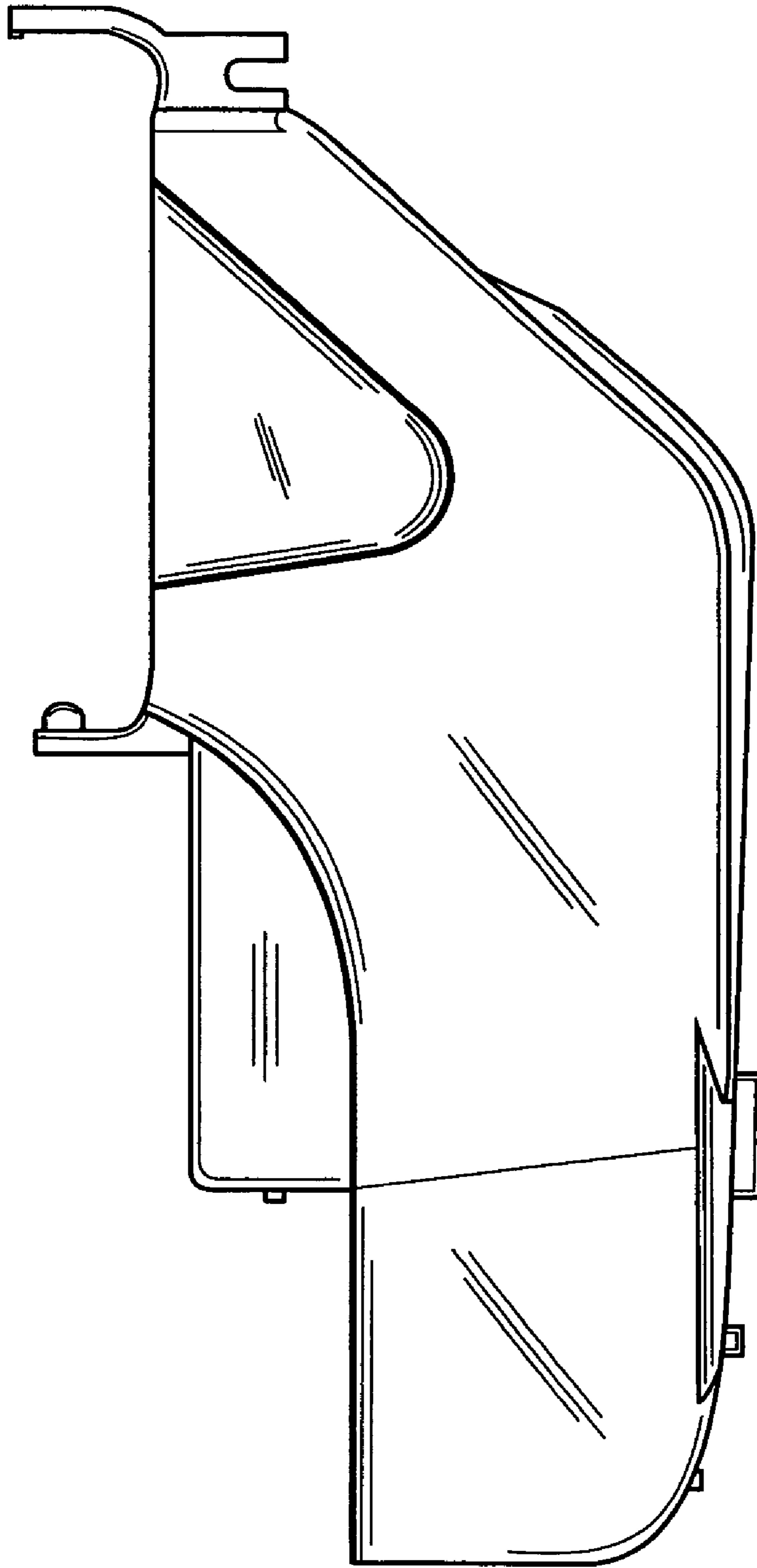


FIG. 4

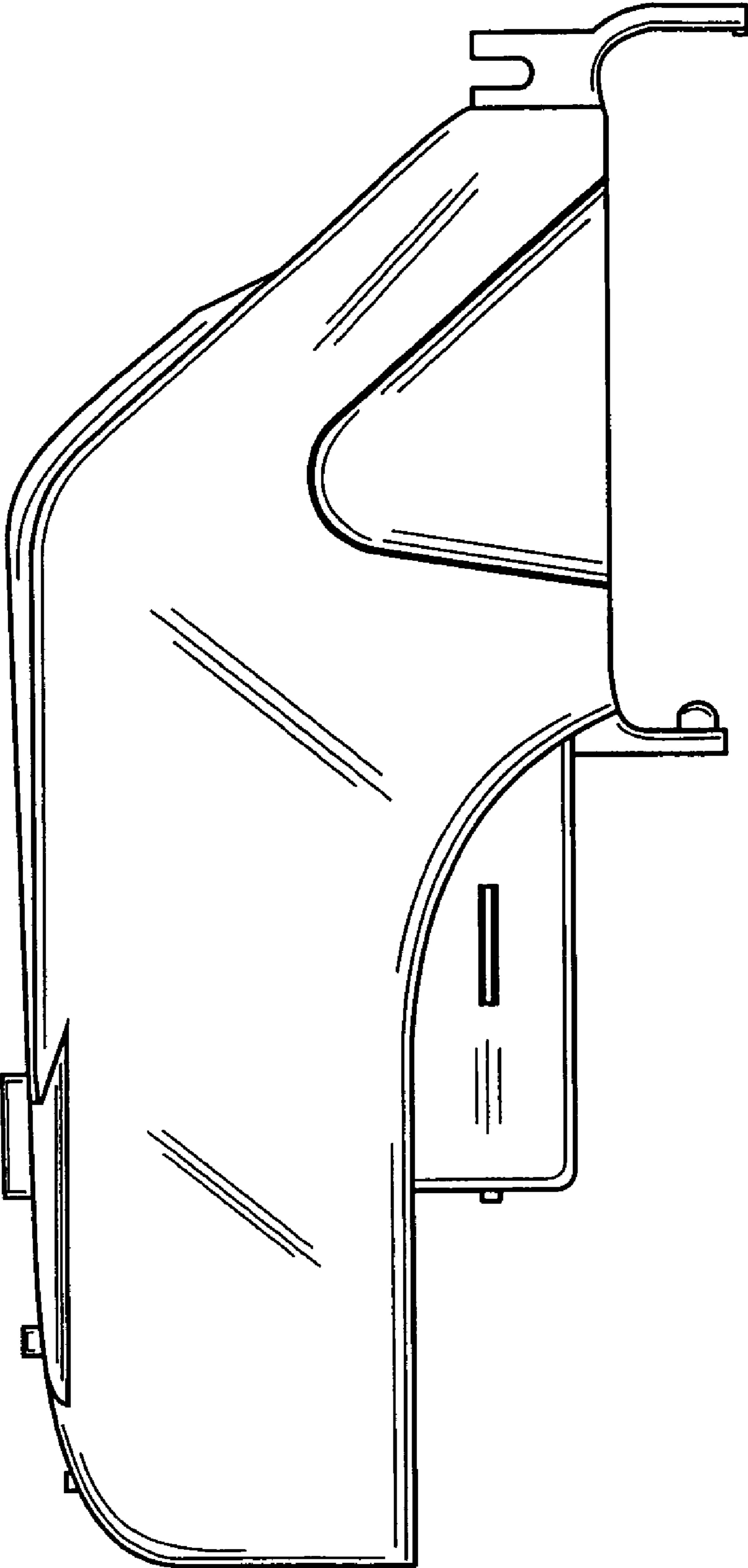


FIG. 5



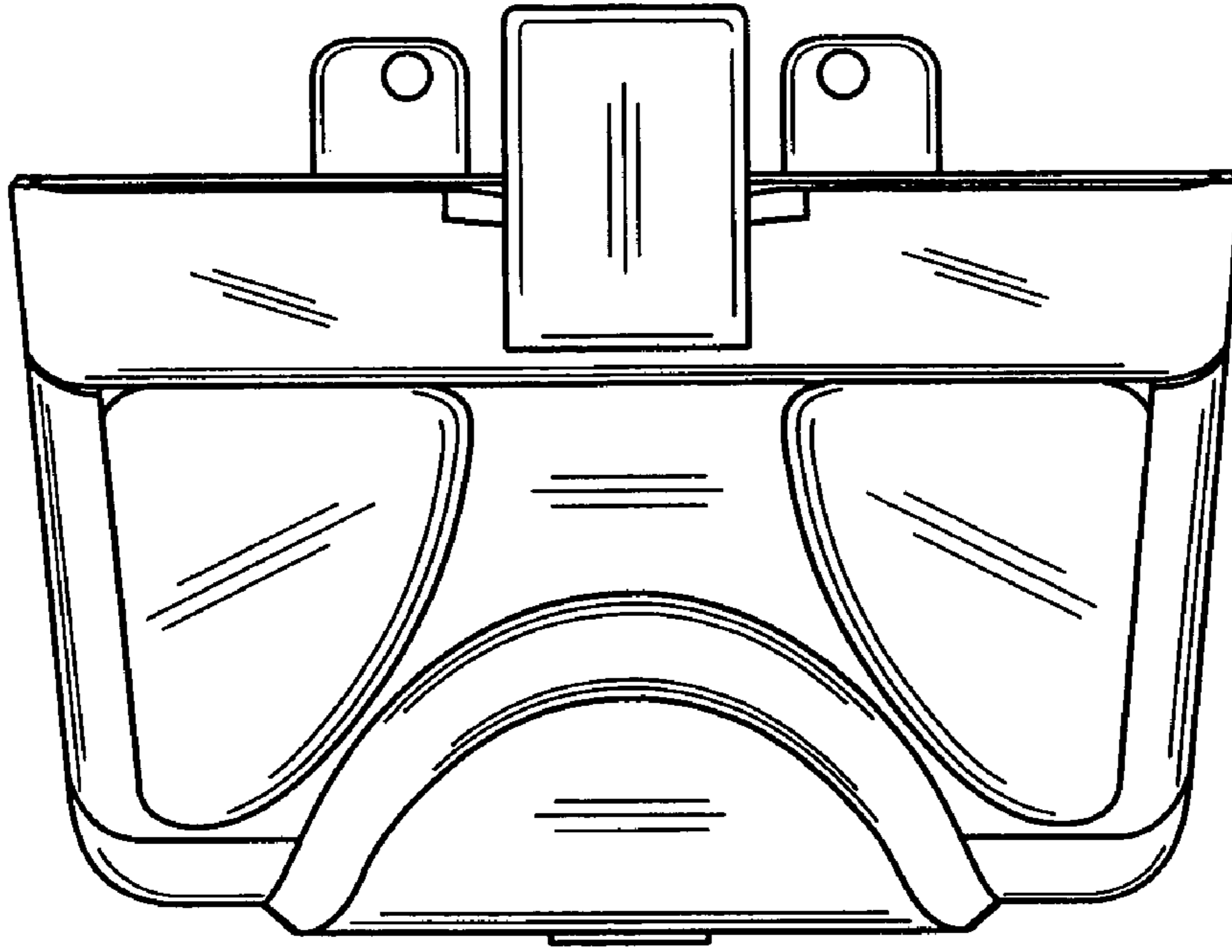


FIG. 6

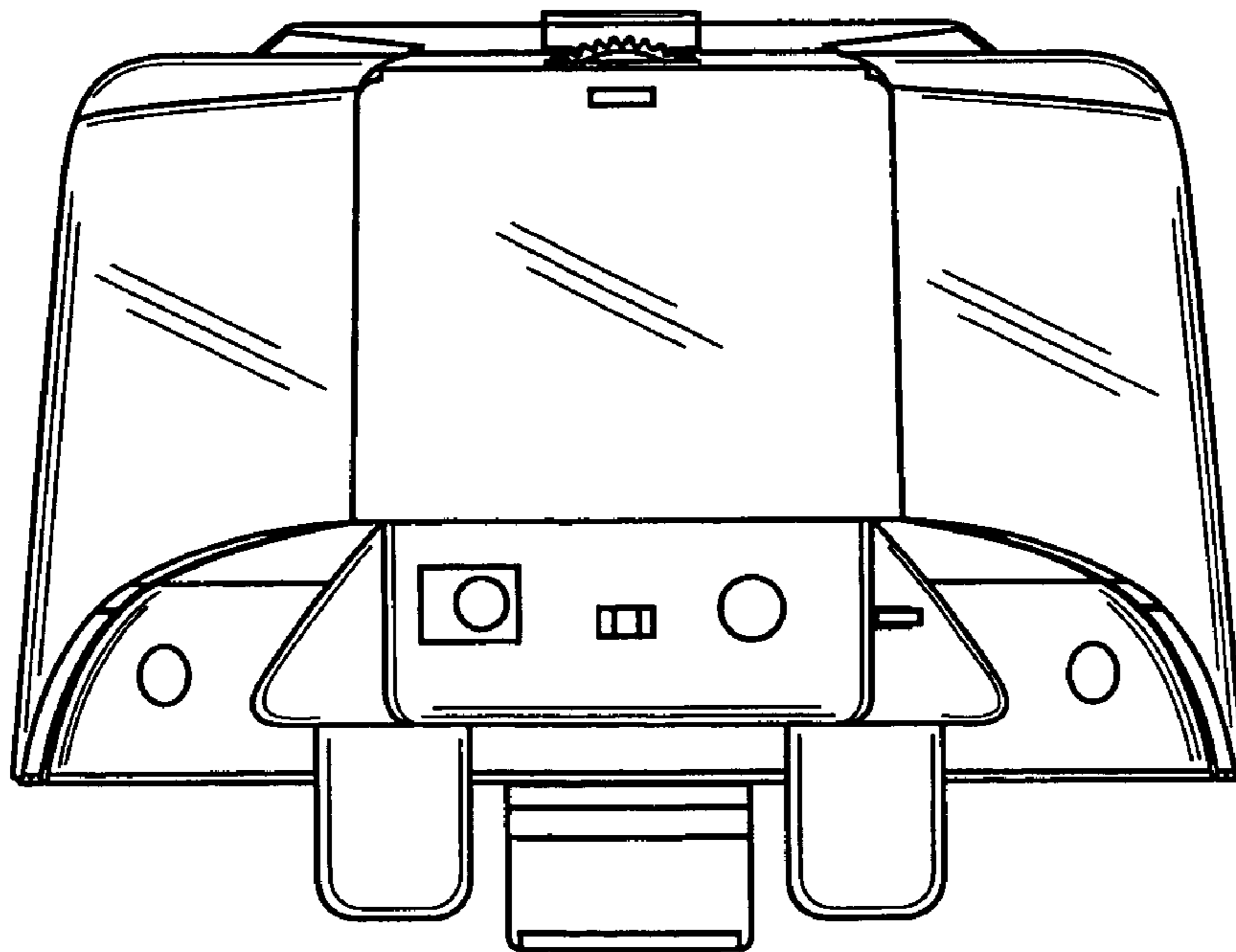


FIG. 7