



US00D547755S

(12) **United States Design Patent**
Wang et al.

(10) **Patent No.:** **US D547,755 S**

(45) **Date of Patent:** **** Jul. 31, 2007**

(54) **DISPLAY STAND**

(75) Inventors: **Dragon Wang**, Taipei (TW); **Jami Wang**, Taipei (TW); **Kelly Chuang**, Taipei (TW)

(73) Assignee: **Inventec Corporation**, Taipei (TW)

(**) Term: **14 Years**

(21) Appl. No.: **29/243,214**

(22) Filed: **Nov. 22, 2005**

(51) **LOC (8) Cl.** **14-03**

(52) **U.S. Cl.** **D14/239**

(58) **Field of Classification Search** D14/125-134,
D14/239, 451, 439, 371, 136, 374-382; 312/7.2;
348/836, 180, 838, 184, 325, 739; 341/12;
248/917-924, 465; 345/104, 133, 156, 168,
345/173; 720/605, 600, 655, 669; 369/99,
369/197; 455/344-347

See application file for complete search history.

(56) **References Cited**

U.S. PATENT DOCUMENTS

- D326,847 S * 6/1992 Savio D14/375
- D408,382 S * 4/1999 Chuo et al. D14/374
- D460,425 S * 7/2002 Joe D14/126
- D474,189 S * 5/2003 Andre et al. D14/447

- D483,020 S * 12/2003 Nagao et al. D14/126
- 6,711,005 B2 * 3/2004 Martin 361/683
- D512,423 S * 12/2005 Tanimura et al. D14/371
- D533,168 S * 12/2006 Inoue D14/239
- D533,170 S * 12/2006 Yamamoto et al. D14/239
- D534,139 S * 12/2006 Yokota D14/126

* cited by examiner

Primary Examiner—Raphael Barkai

Assistant Examiner—Randall H. Gholson

(74) *Attorney, Agent, or Firm*—Birch, Stewart, Kolasch & Birch, LLP

(57) **CLAIM**

The ornamental design for a display stand, as shown.

DESCRIPTION

FIG. 1 is a perspective view of a display stand showing my new design;

FIG. 2 is a front elevational view thereof;

FIG. 3 is a rear elevational view thereof;

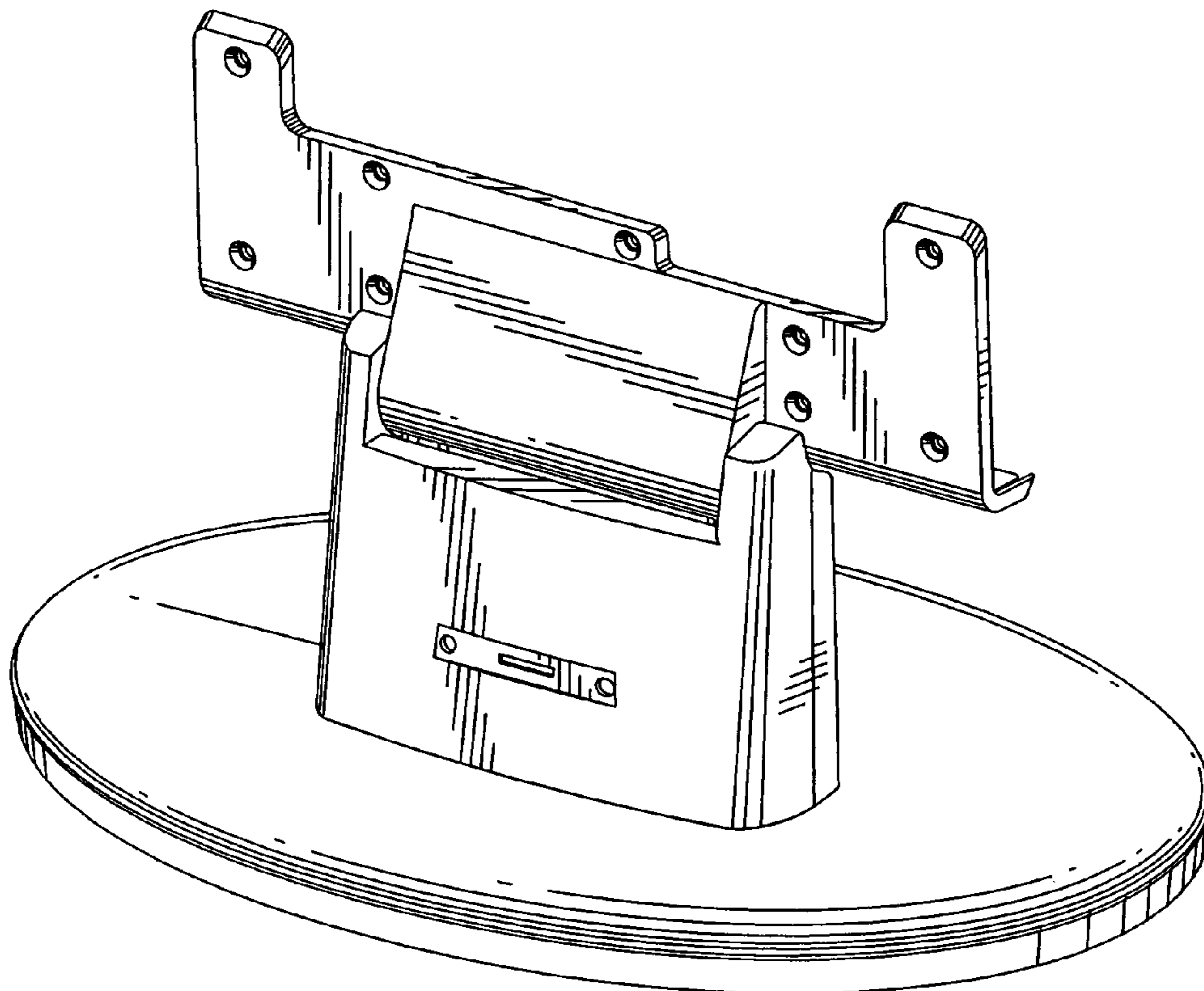
FIG. 4 is a right side elevational view thereof;

FIG. 5 is a left side elevational view thereof;

FIG. 6 is a top plan view thereof; and,

FIG. 7 is a bottom plan view thereof.

1 Claim, 4 Drawing Sheets



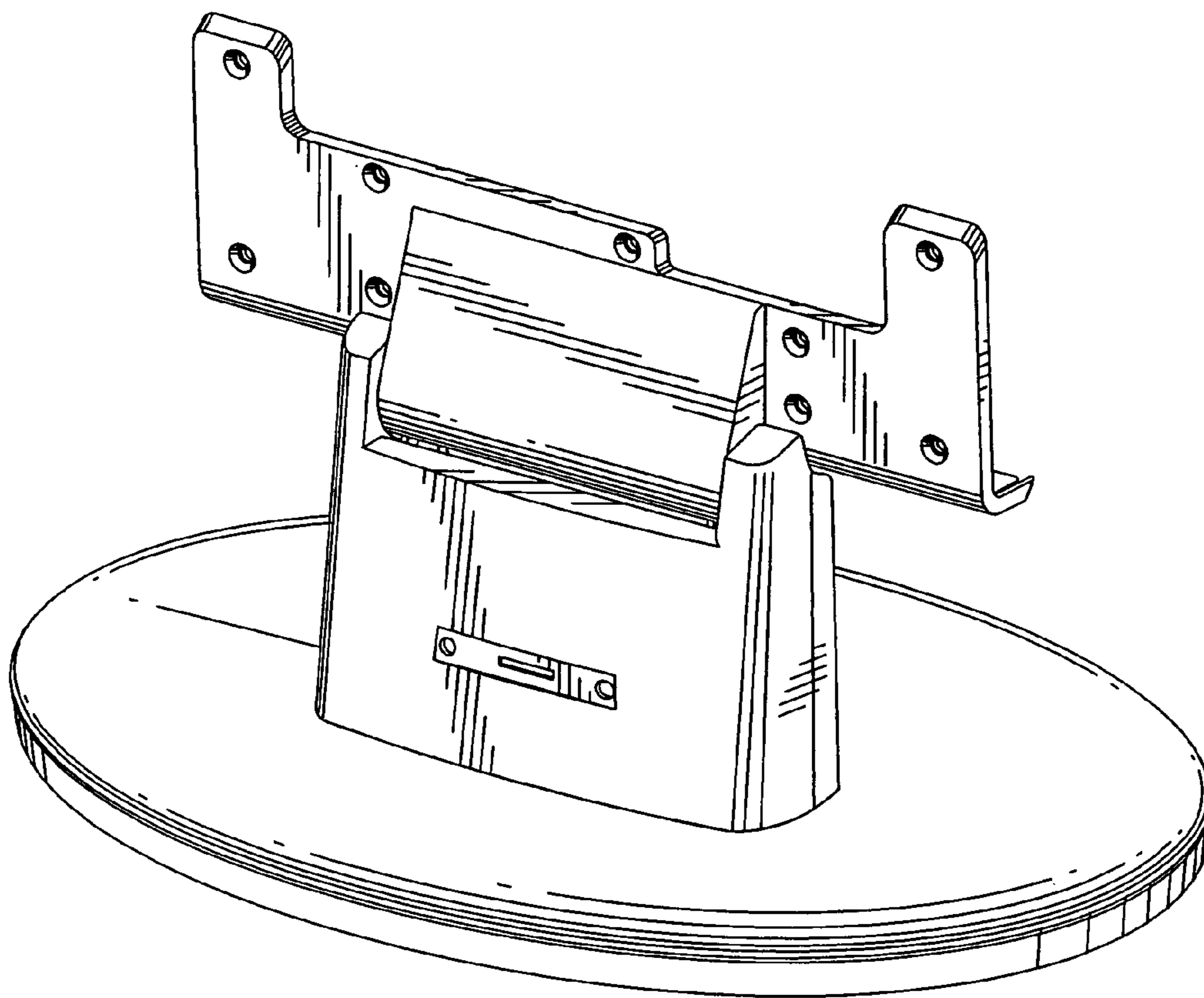


Fig. 1

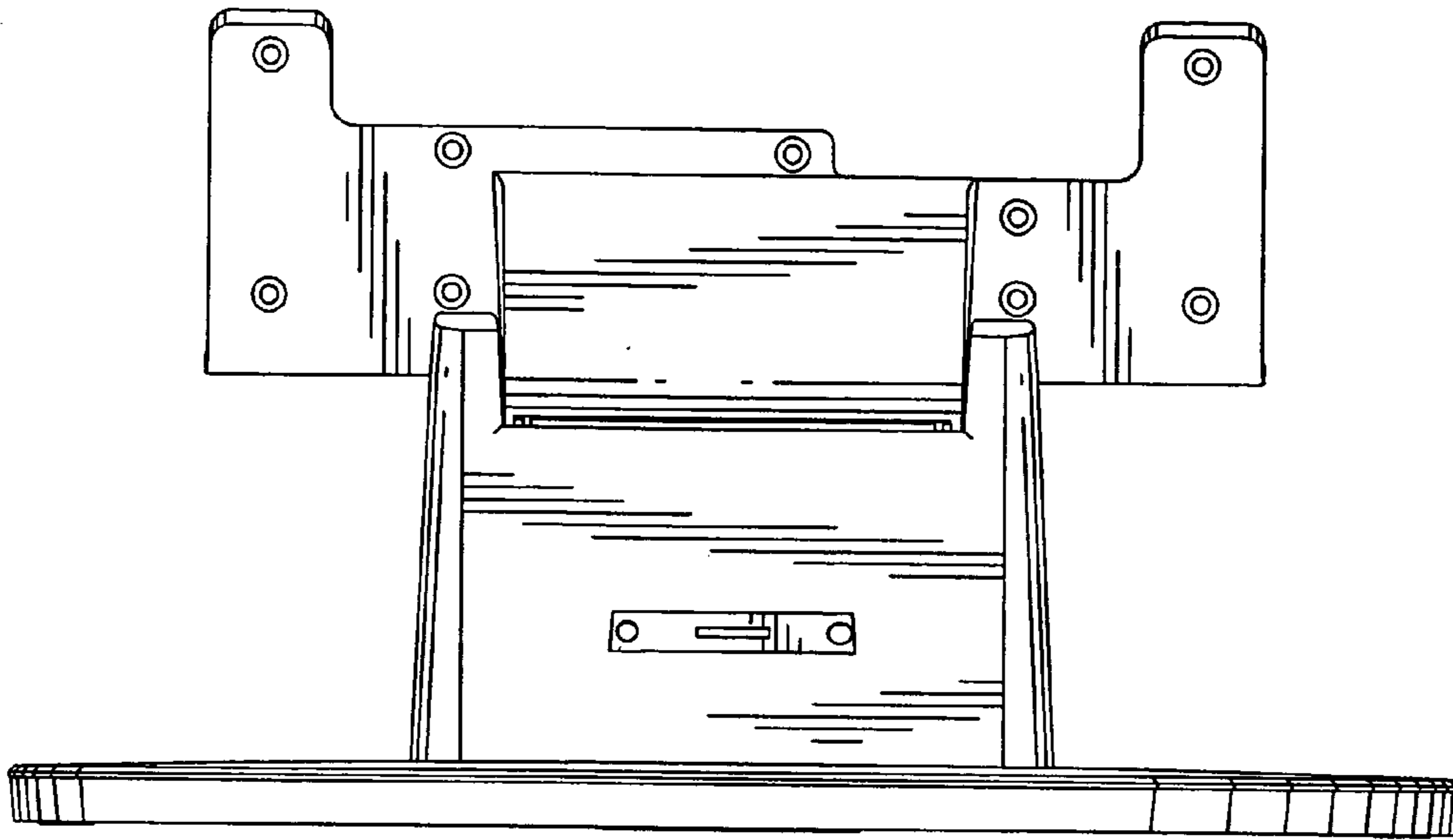


Fig. 2

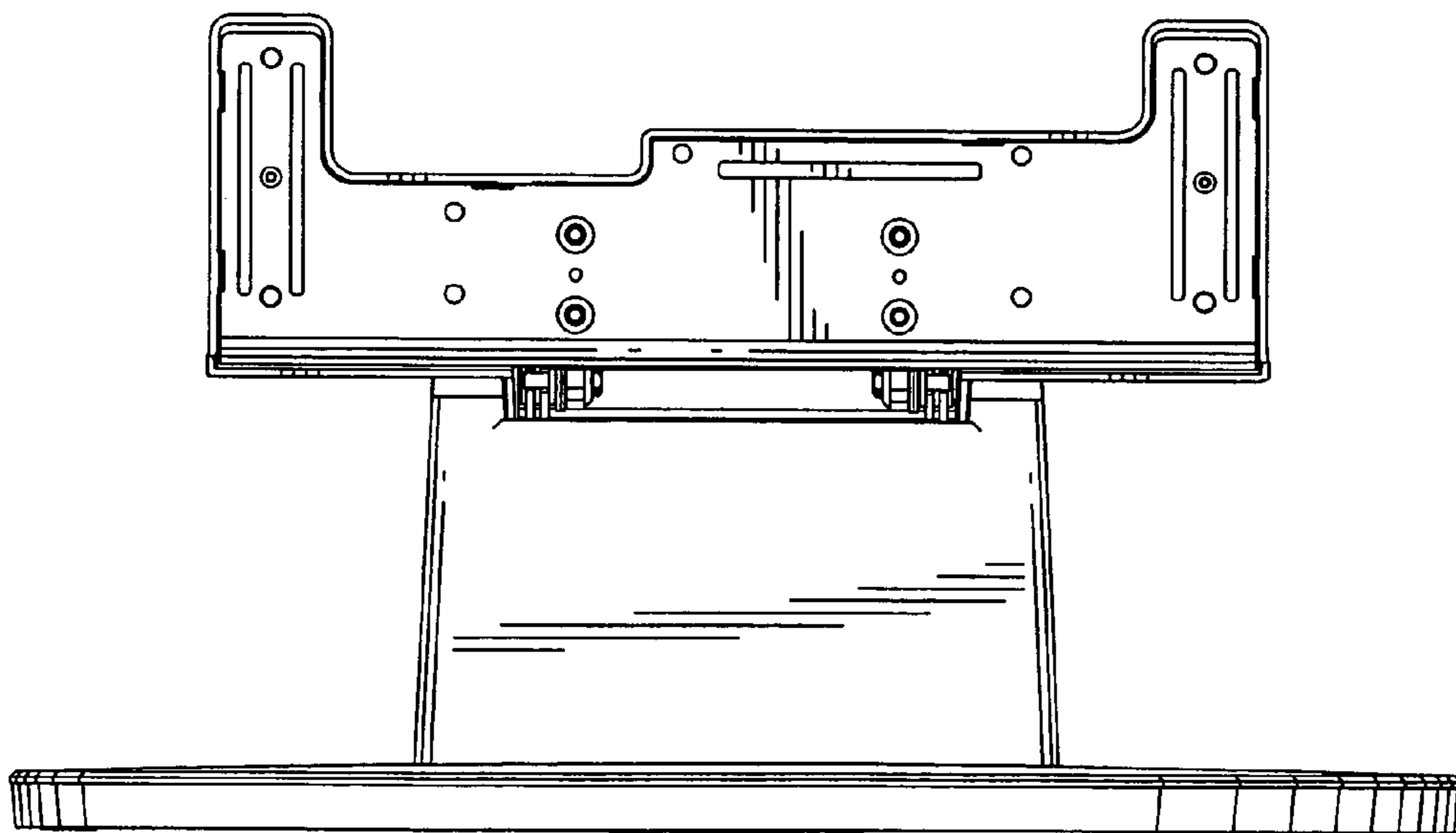


Fig. 3

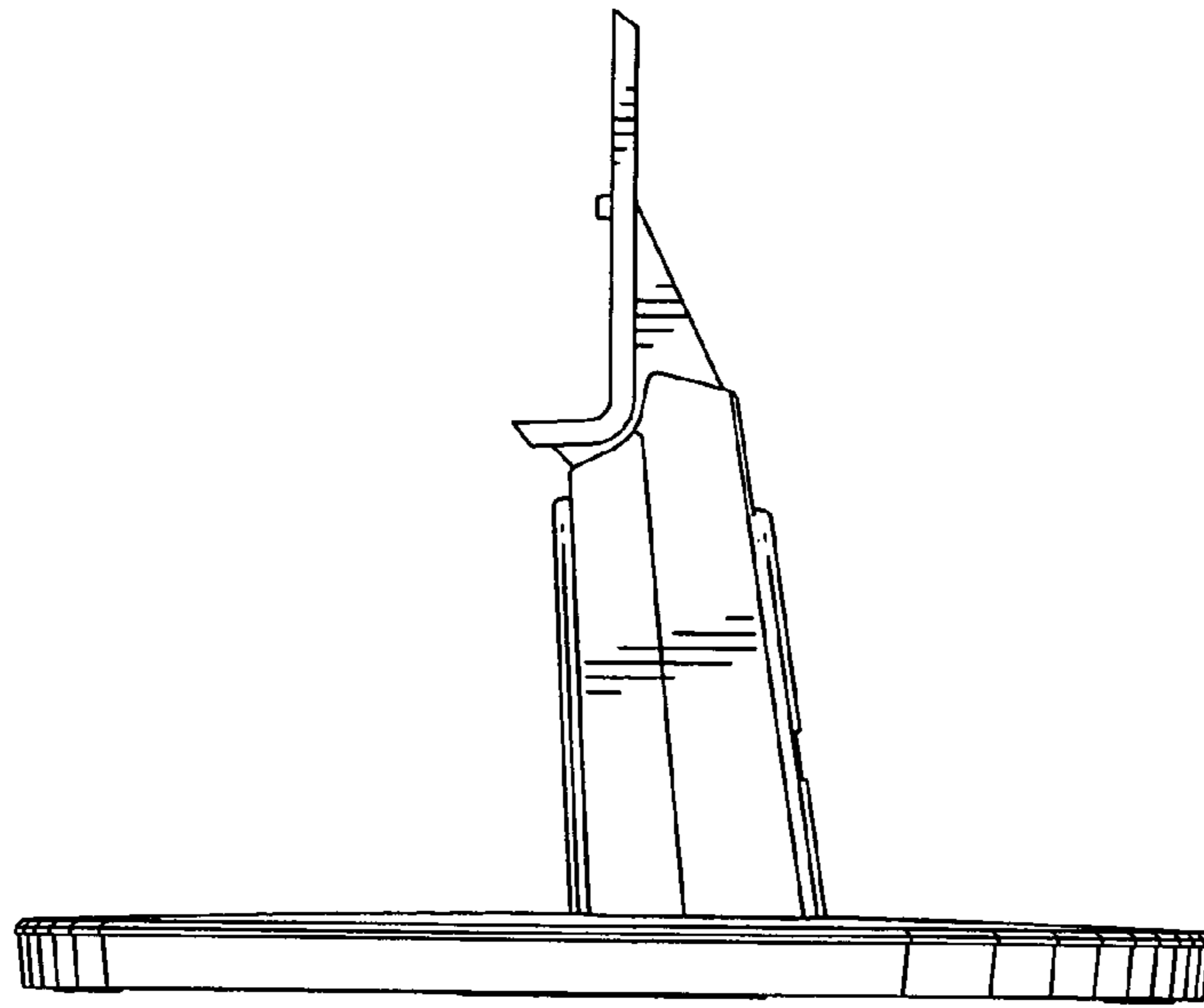


Fig. 4

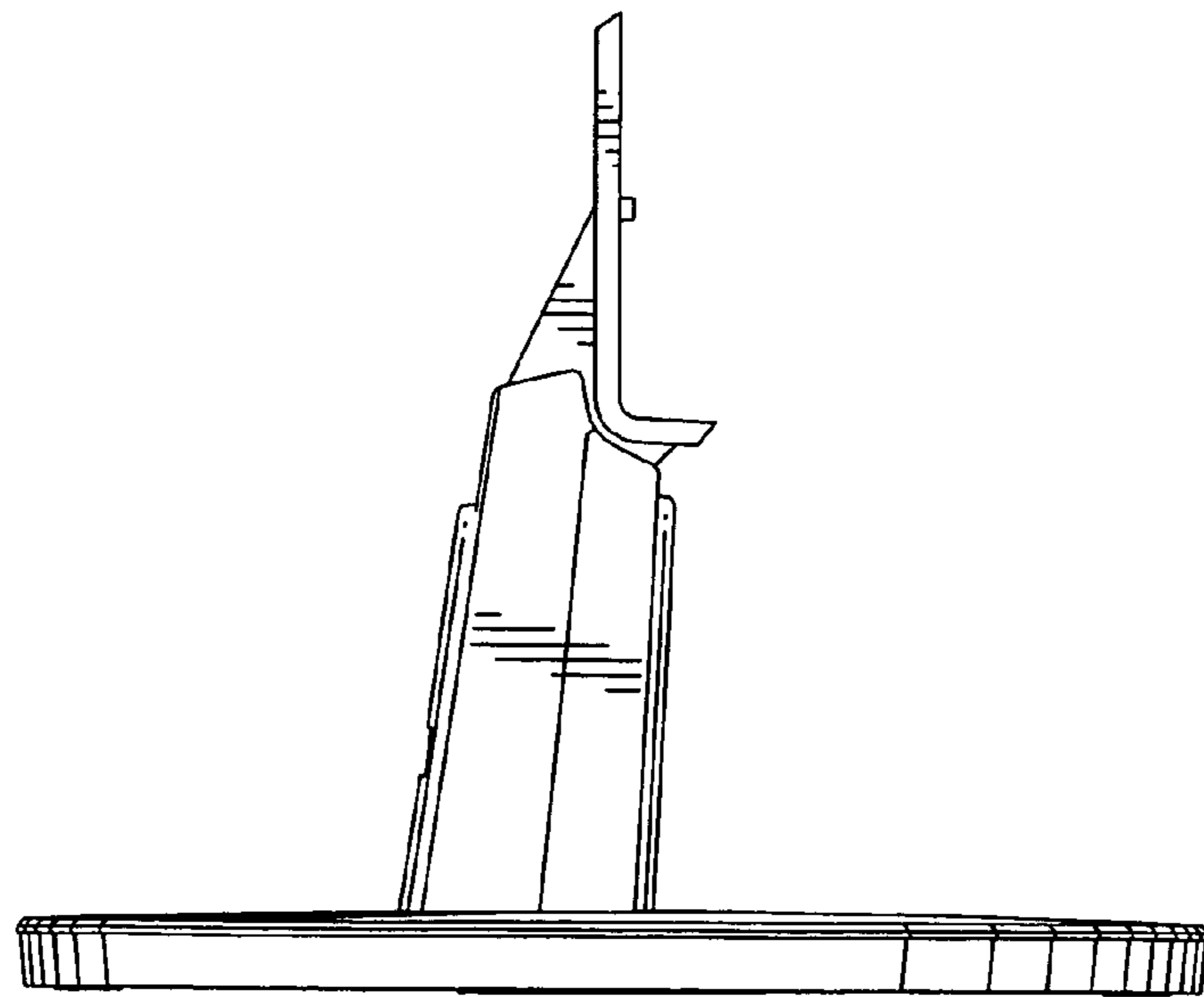


Fig. 5

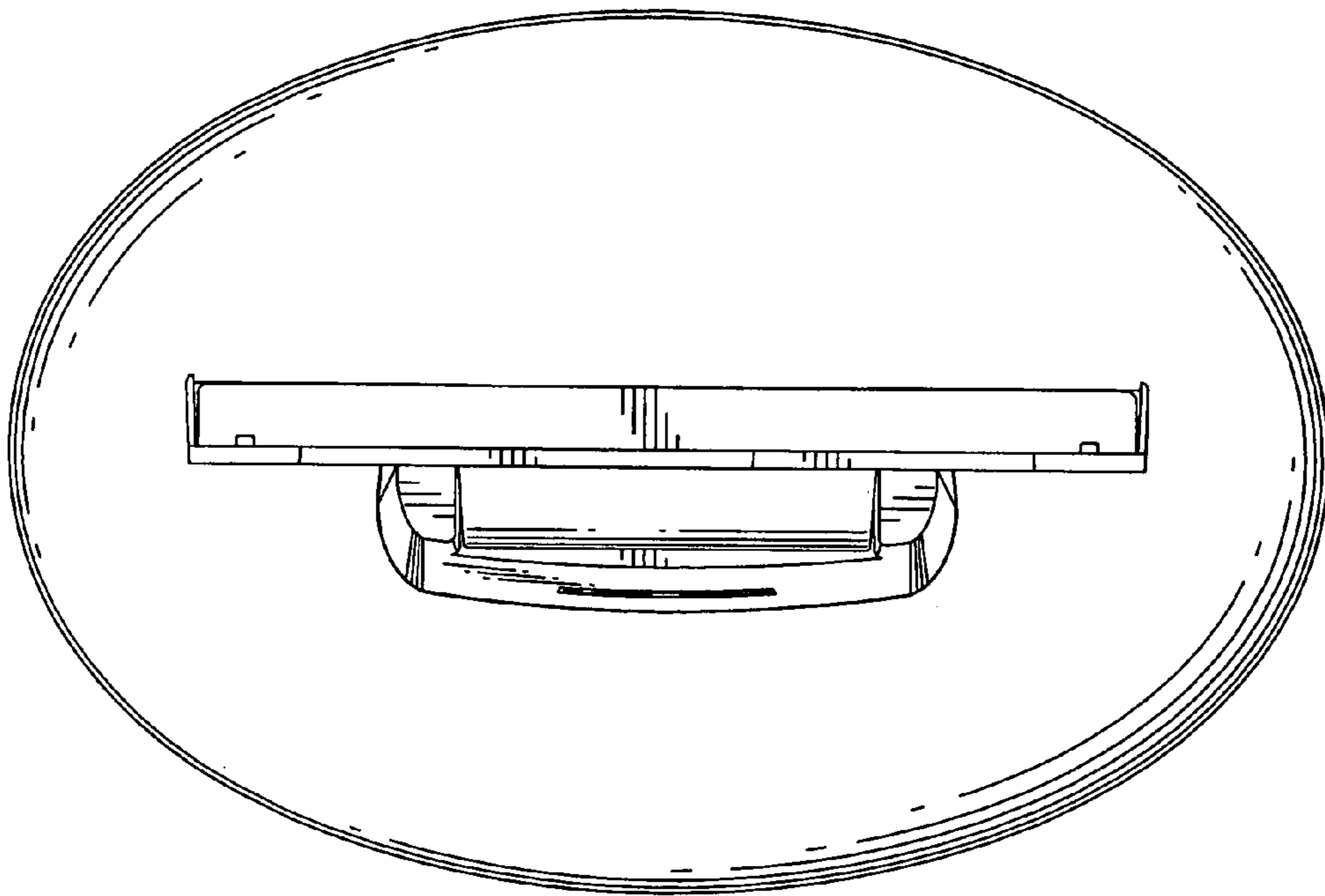


Fig. 6

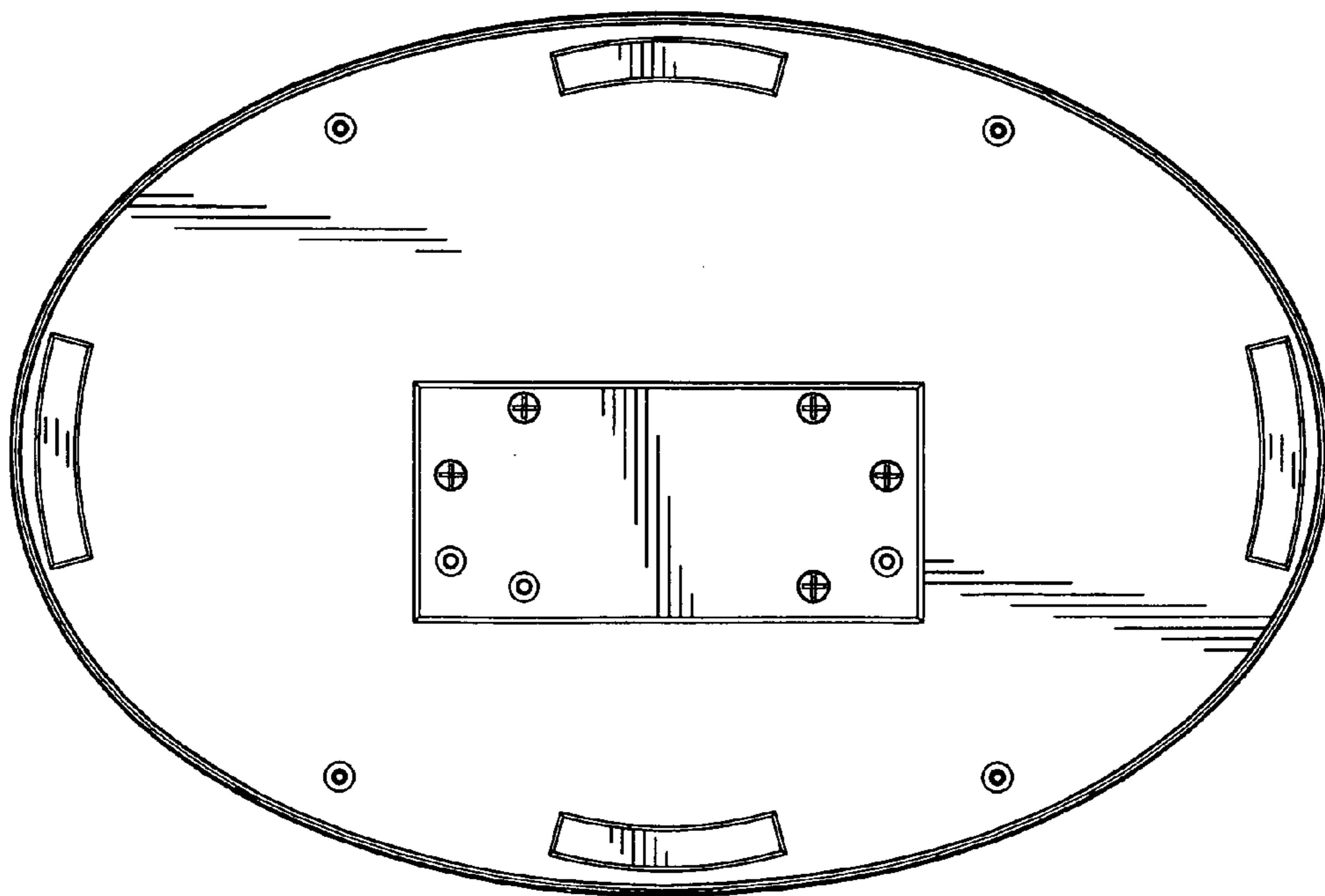


Fig. 7