

US00D547751S

(12) **United States Design Patent**
Shiono

(10) **Patent No.:** **US D547,751 S**

(45) **Date of Patent:** **** Jul. 31, 2007**

(54) **SPEAKER**

D488,802 S * 4/2004 Uehara et al. D14/216

(75) Inventor: **Daisuke Shiono**, Tokyo (JP)

OTHER PUBLICATIONS

(73) Assignee: **Sony Corporation**, Tokyo (JP)

U.S. Appl. No. 29/257,024, filed Mar. 29, 2006, Shiono.

U.S. Appl. No. 29/257,023, filed Mar. 29, 2006, Shiono.

(**) Term: **14 Years**

* cited by examiner

(21) Appl. No.: **29/257,023**

Primary Examiner—Nanda Bondade

(22) Filed: **Mar. 29, 2006**

(74) *Attorney, Agent, or Firm*—Oblon, Spivak, McClelland,
Maier & Neustadt, P.C.

(30) **Foreign Application Priority Data**

(57) **CLAIM**

Sep. 30, 2005 (CN) 2005 3 0129126

The ornamental design for a speaker, as shown and described.

(51) **LOC (8) Cl.** **14-01**

(52) **U.S. Cl.** **D14/216**

(58) **Field of Classification Search** D14/204,
D14/209–216, 221; 181/143–144, 147–148,
181/150, 157, 198–199, 151, 153; 381/300–302,
381/306, 333, 345, 361–364, 386–388, 332,
381/336

DESCRIPTION

See application file for complete search history.

FIG. 1 is a top and right front perspective view of a speaker, showing my design;

FIG. 2 is a front elevational view of my design;

FIG. 3 is a rear elevational view of my design;

FIG. 4 is a left side elevational view of my design, with the right side elevational view being a mirror image thereof; and,

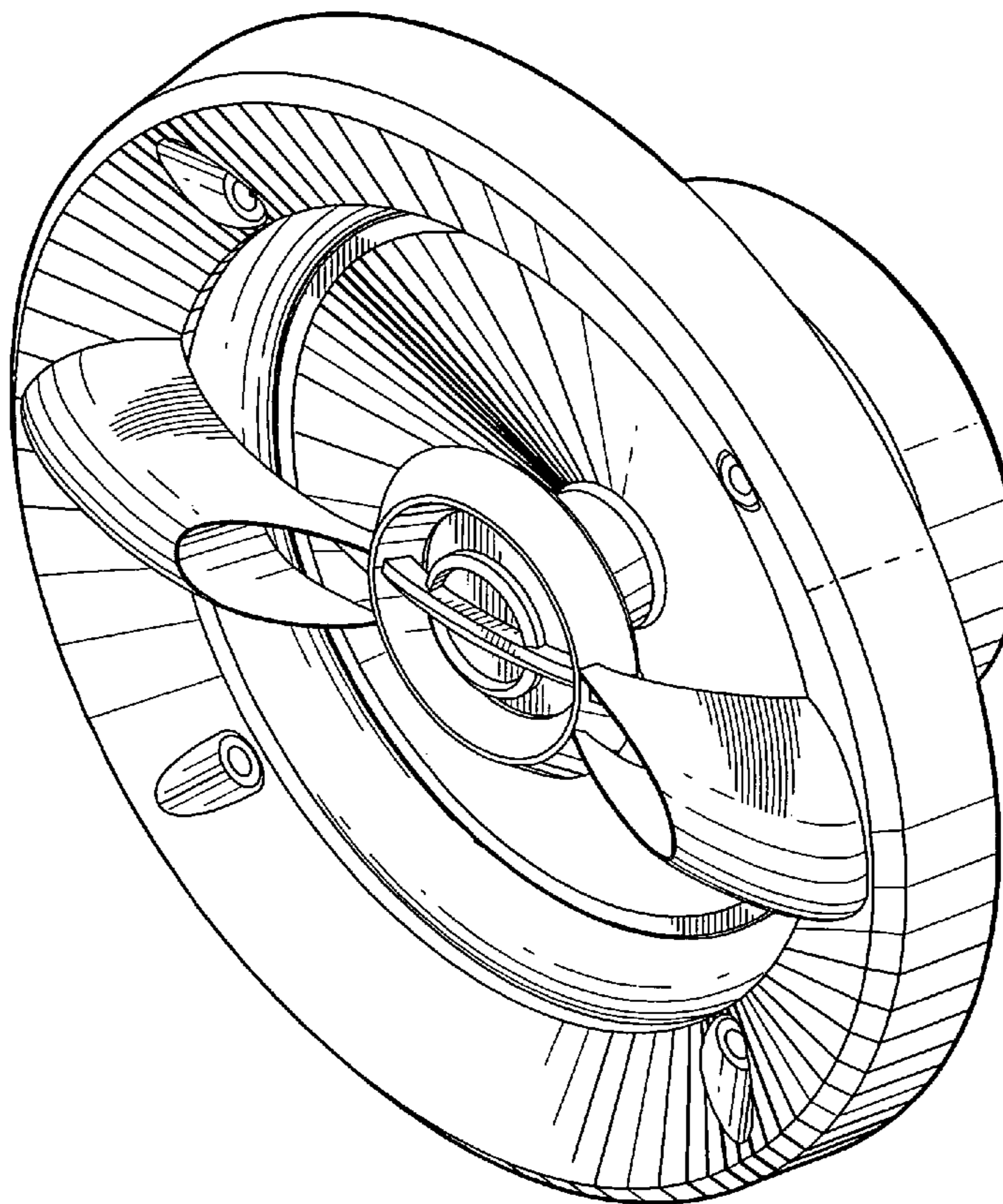
FIG. 5 is a top plan view of my design, with the bottom plan view being a mirror image thereof.

(56) **References Cited**

U.S. PATENT DOCUMENTS

D186,670 S * 11/1959 Durbin D14/216
D197,716 S * 3/1964 Boldt et al. D14/216
D409,198 S * 5/1999 Harvey et al. D14/215

1 Claim, 5 Drawing Sheets



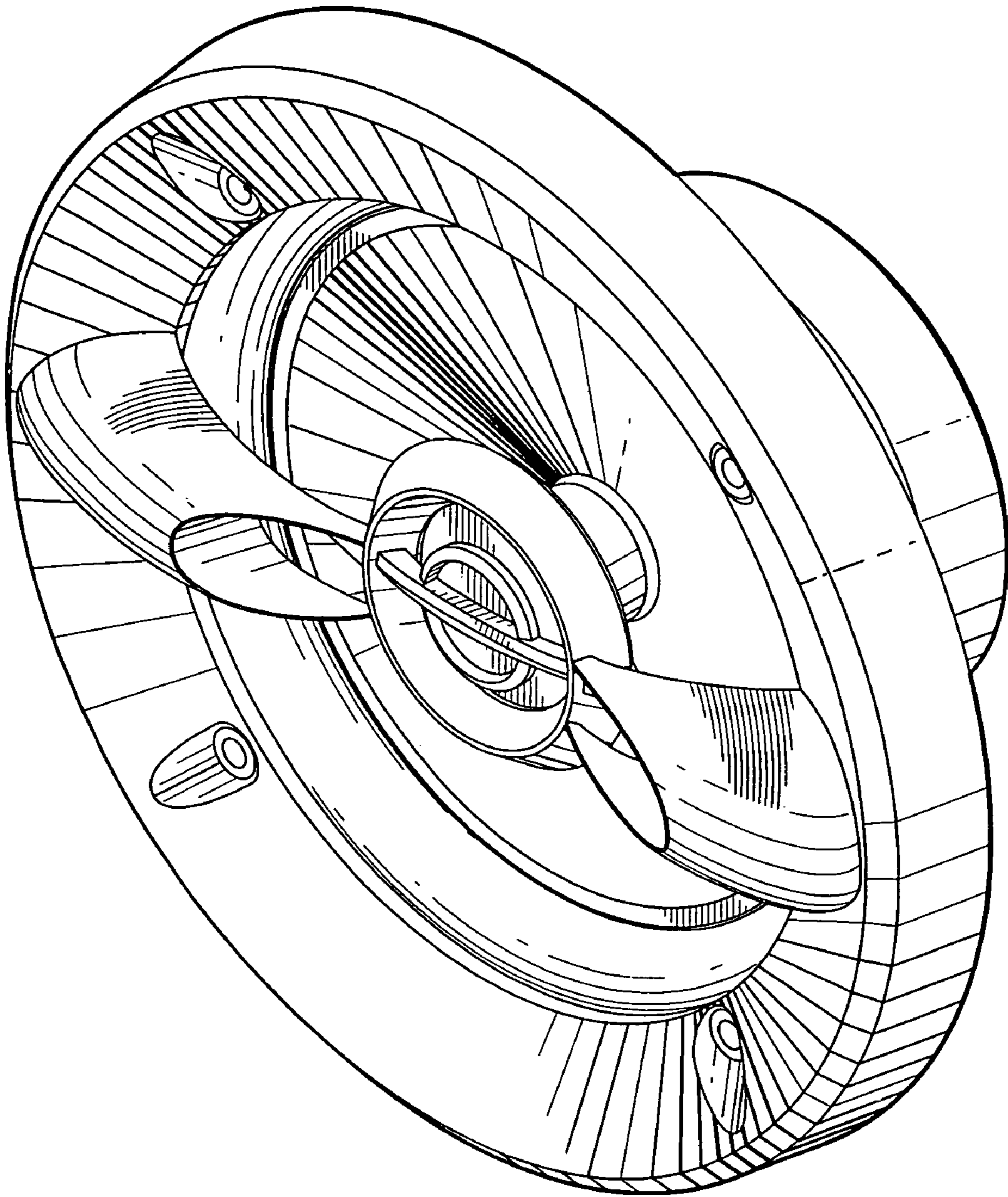


Fig. 1

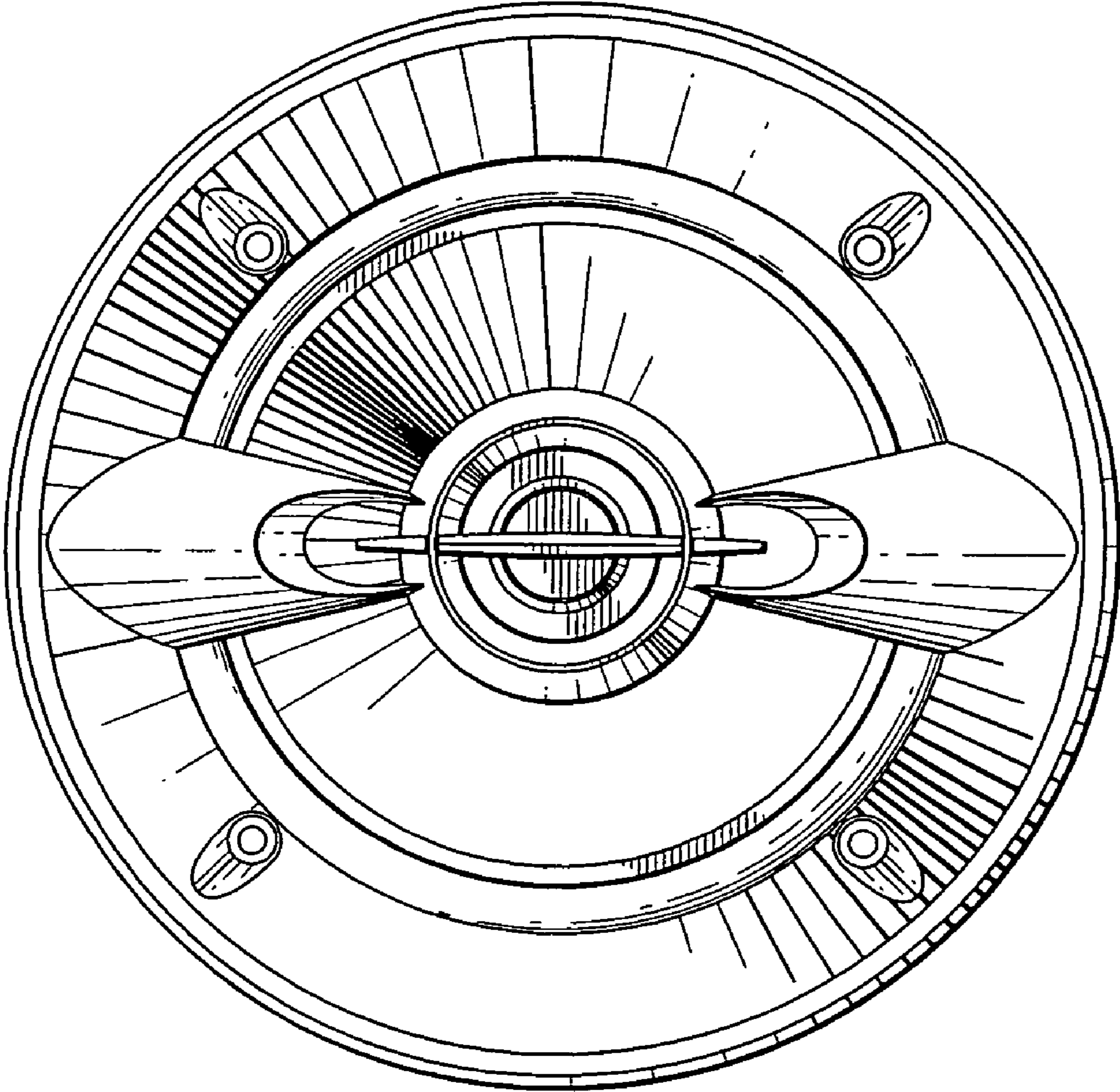


Fig. 2

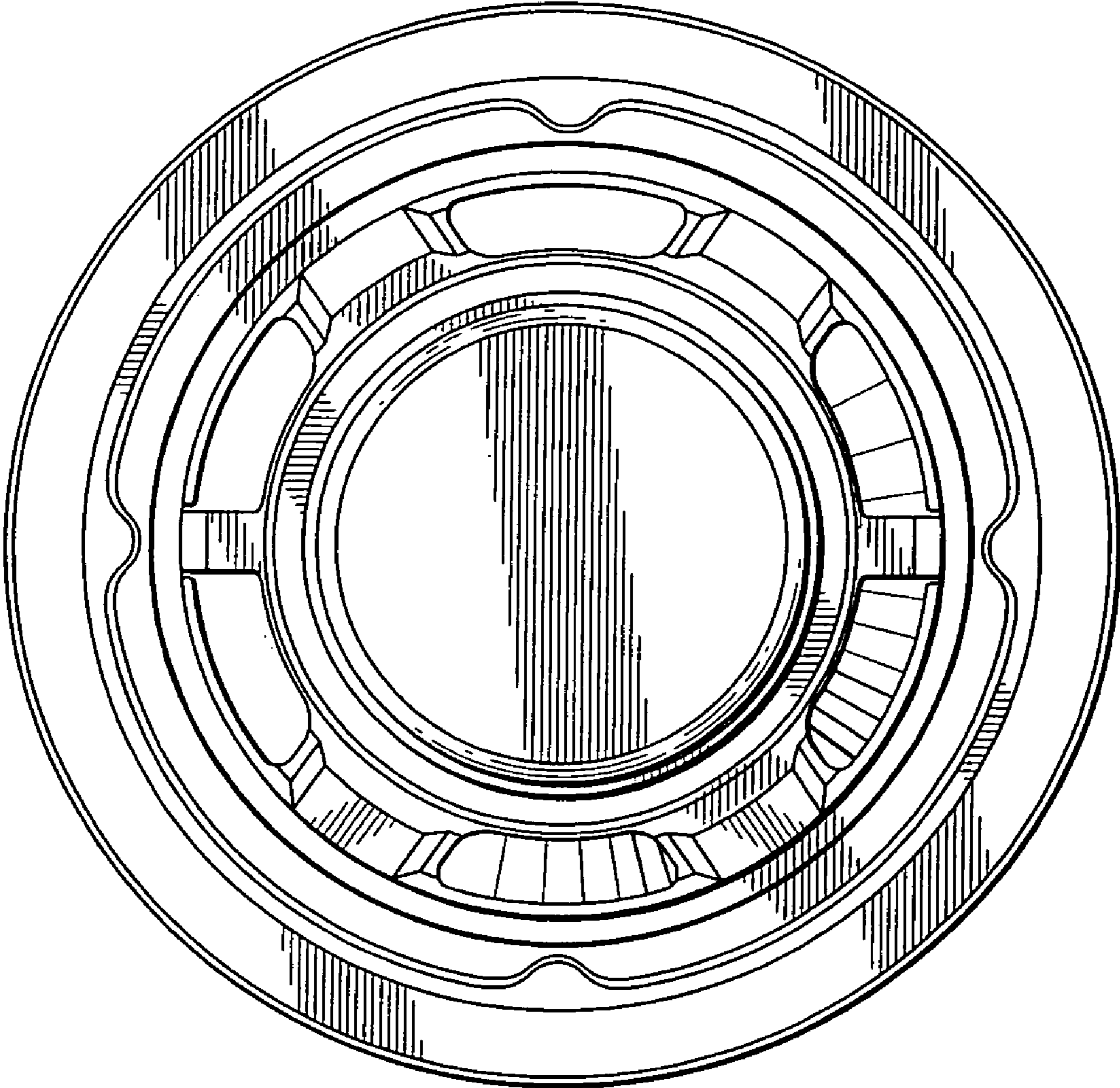


Fig 3

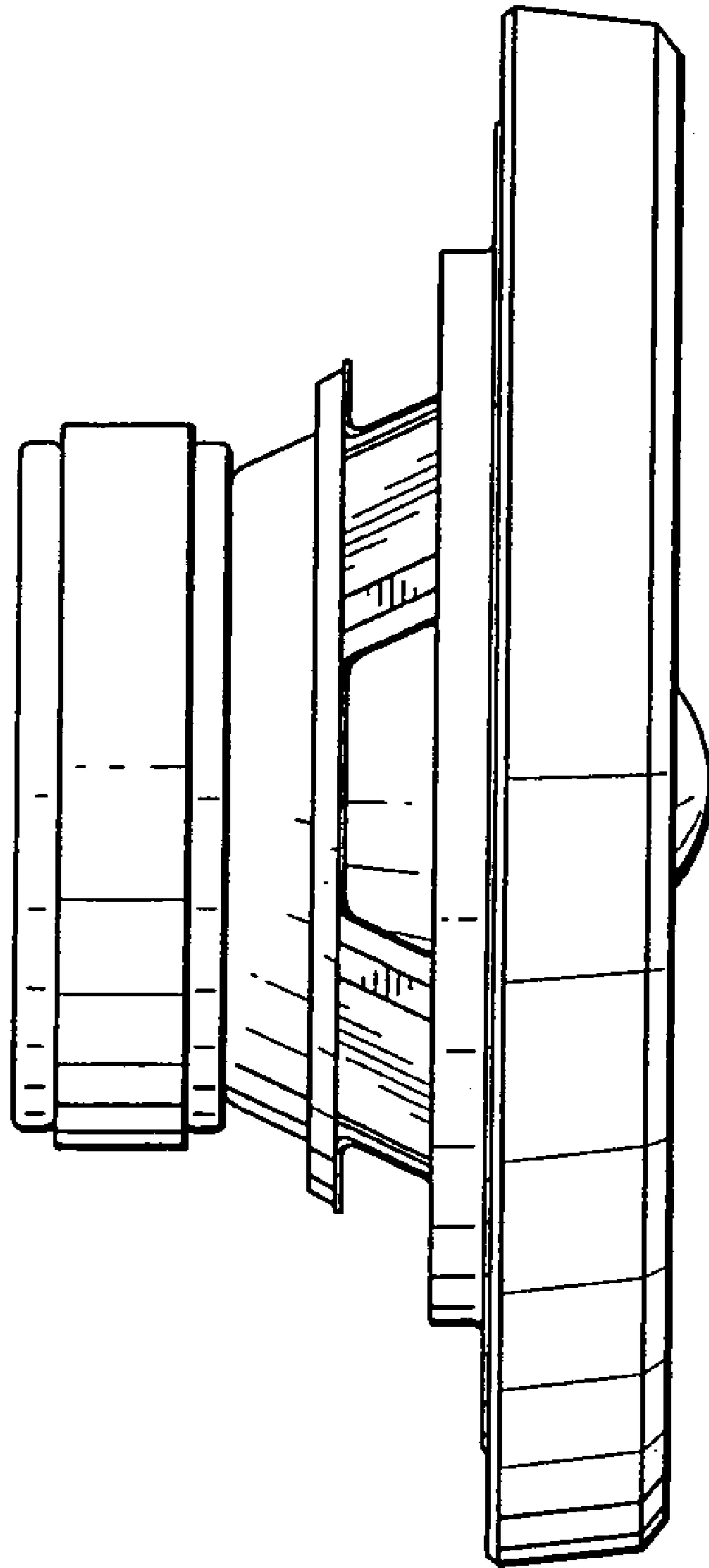


Fig. 4

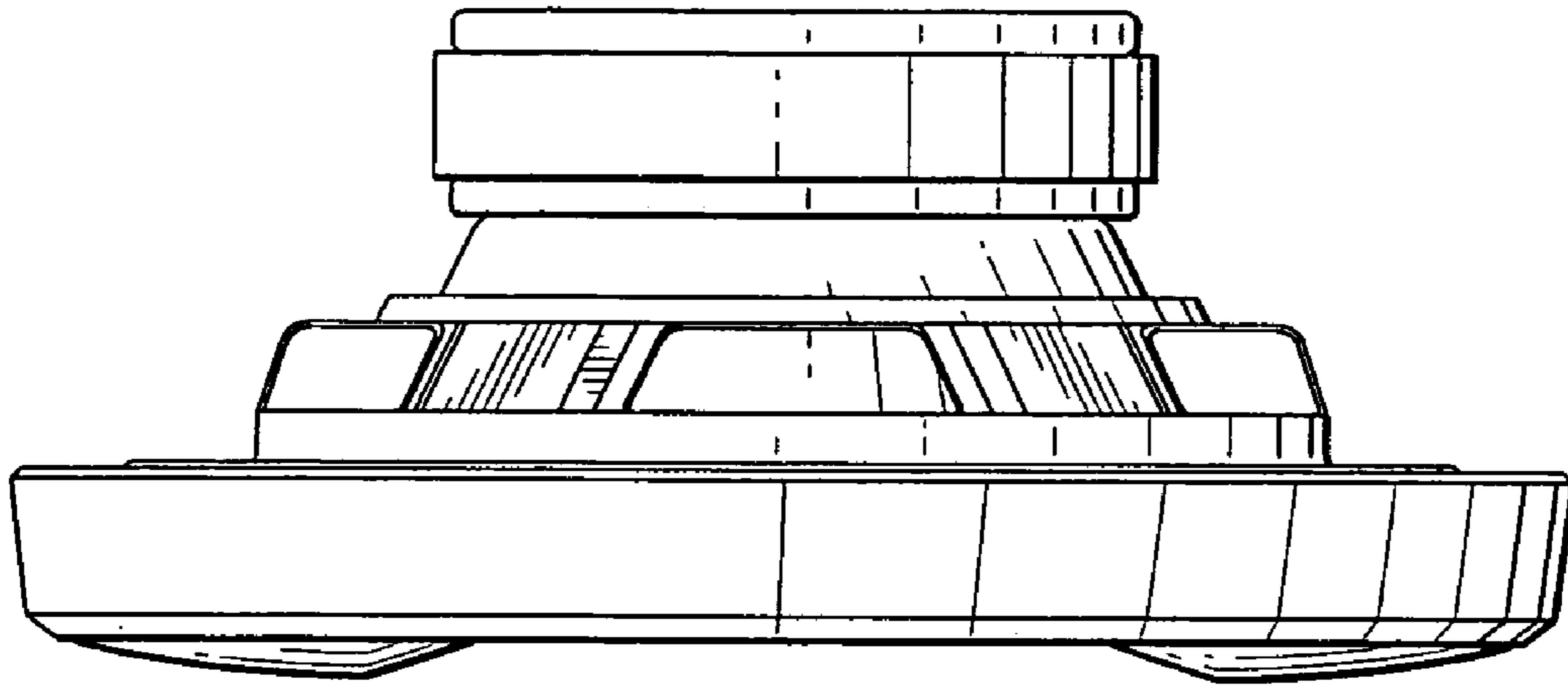


Fig. 5