

US00D547747S

(12) **United States Design Patent** (10) **Patent No.:** **US D547,747 S**  
**Allen** (45) **Date of Patent:** **\*\* Jul. 31, 2007**

(54) <b>LOUDSPEAKER</b>	D496,349 S	9/2004	Allen
	D496,350 S	9/2004	Allen
(75) Inventor: <b>Graham Allen</b> , Alderly Edge (GB)	D496,351 S	9/2004	Allen
	D496,923 S	10/2004	Allen
(73) Assignee: <b>GP Acoustics (UK) Limited</b> ,	D497,155 S	10/2004	Allen
Maidstone, Kent (GB)	D498,229 S	11/2004	Allen
	D501,845 S	2/2005	Allen
(**) Term: <b>14 Years</b>	D511,758 S	11/2005	Allen
	D511,759 S	11/2005	Allen
(21) Appl. No.: <b>29/258,370</b>	D513,745 S	1/2006	Allen
	D513,746 S	1/2006	Allen
(22) Filed: <b>Apr. 20, 2006</b>	D527,372 S	8/2006	Allen

(30) **Foreign Application Priority Data**  
 Oct. 20, 2005 (EM) ..... 000417969

(51) **LOC (8) Cl.** ..... **14-01**  
 (52) **U.S. Cl.** ..... **D14/211; D14/215**  
 (58) **Field of Classification Search** ..... D14/204,  
 D14/207, 209–216, 356; 181/143–144, 147–148,  
 181/150, 157, 198–199, 151, 153; 381/300–302,  
 381/306, 333, 345, 361–364, 386–388, 332,  
 381/336  
 See application file for complete search history.

(56) **References Cited**

U.S. PATENT DOCUMENTS

D430,142 S *	8/2000	Kuo et al.	.....	D14/216
D437,843 S *	2/2001	Masui	.....	D14/215
D440,557 S *	4/2001	Su	.....	D14/215
D485,257 S	1/2004	Allen		
D485,258 S	1/2004	Allen		
D485,259 S	1/2004	Allen		
D485,543 S	1/2004	Allen		
D486,143 S	2/2004	Allen		
D486,473 S	2/2004	Allen		
D486,474 S	2/2004	Allen		
D486,475 S	2/2004	Allen		
D486,476 S	2/2004	Allen		
D491,916 S	6/2004	Allen		
D491,919 S	6/2004	Allen		
D494,566 S *	8/2004	Allen	.....	D14/215
D496,025 S	9/2004	Allen		

OTHER PUBLICATIONS

KEF KHT1005 product overview, What Hi-Fi? Sound and Vision ,  
 Apr. 2004, p. 45.  
 KEF Works on its Eggs, as early as Nov. 2004; KEF KHT 2005.2  
 product overview, T3 “the worlds No. 1 gadget mag,” Mar. 16,  
 2004, [http://www.t3.co.uk/reviews/entertainment/speakers/  
 kef\\_kht\\_2005.2](http://www.t3.co.uk/reviews/entertainment/speakers/kef_kht_2005.2).

\* cited by examiner

*Primary Examiner*—Nanda Bondade  
 (74) *Attorney, Agent, or Firm*—Kenneth L. Sherman, Esq.;  
 Myers Dawer Andras & Sherman, LLP

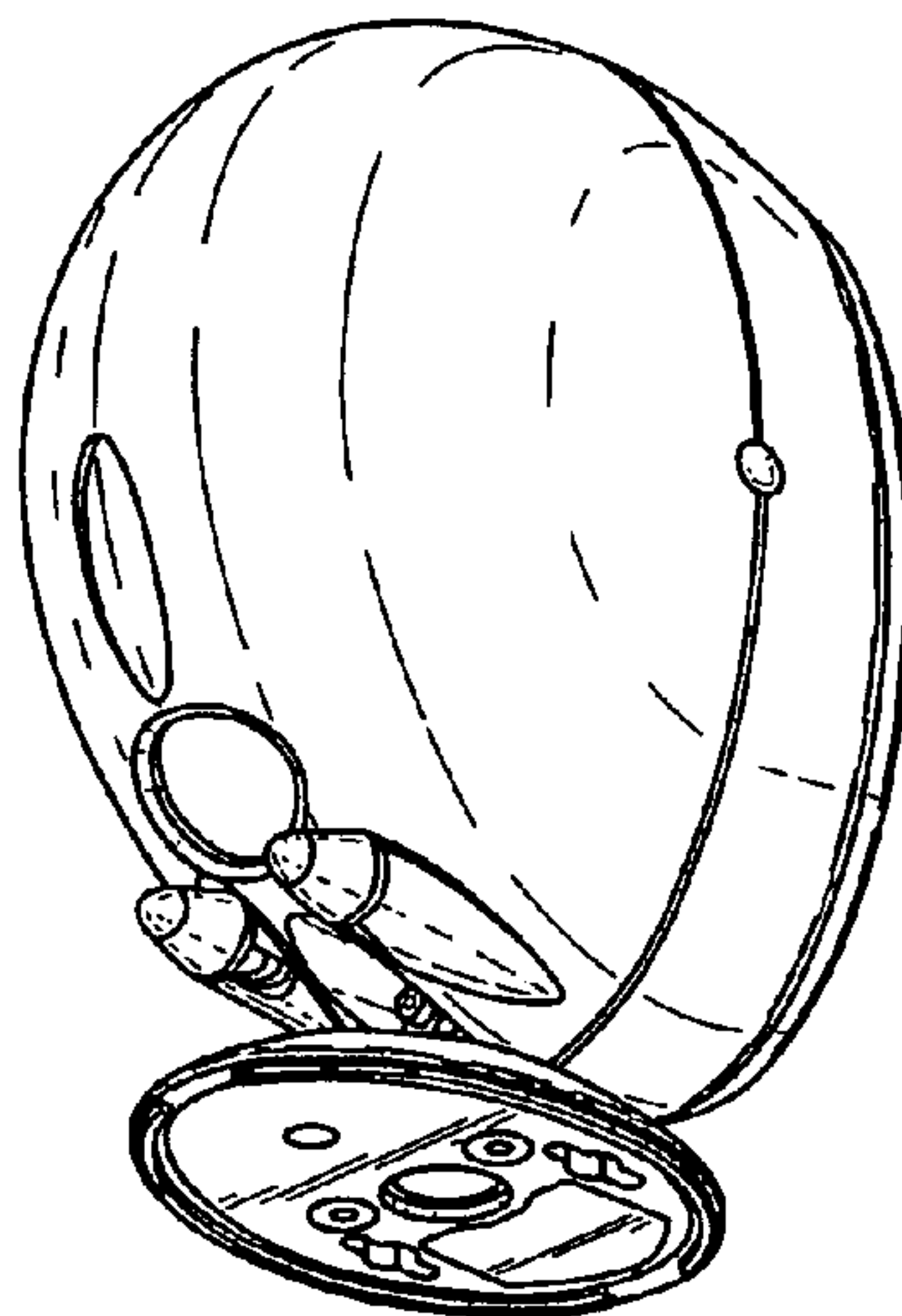
(57) **CLAIM**

I claim the ornamental design for a loudspeaker, substan-  
 tially as shown and described.

**DESCRIPTION**

FIG. 1 is a rear perspective view of a loudspeaker showing  
 my new design;  
 FIG. 2 is top plan view thereof;  
 FIG. 3 is a front perspective view thereof;  
 FIG. 4 is a side view thereof;  
 FIG. 5 is a rear view thereof;  
 FIG. 6 is a bottom plan view thereof; and,  
 FIG. 7 is a front view thereof.

**1 Claim, 2 Drawing Sheets**



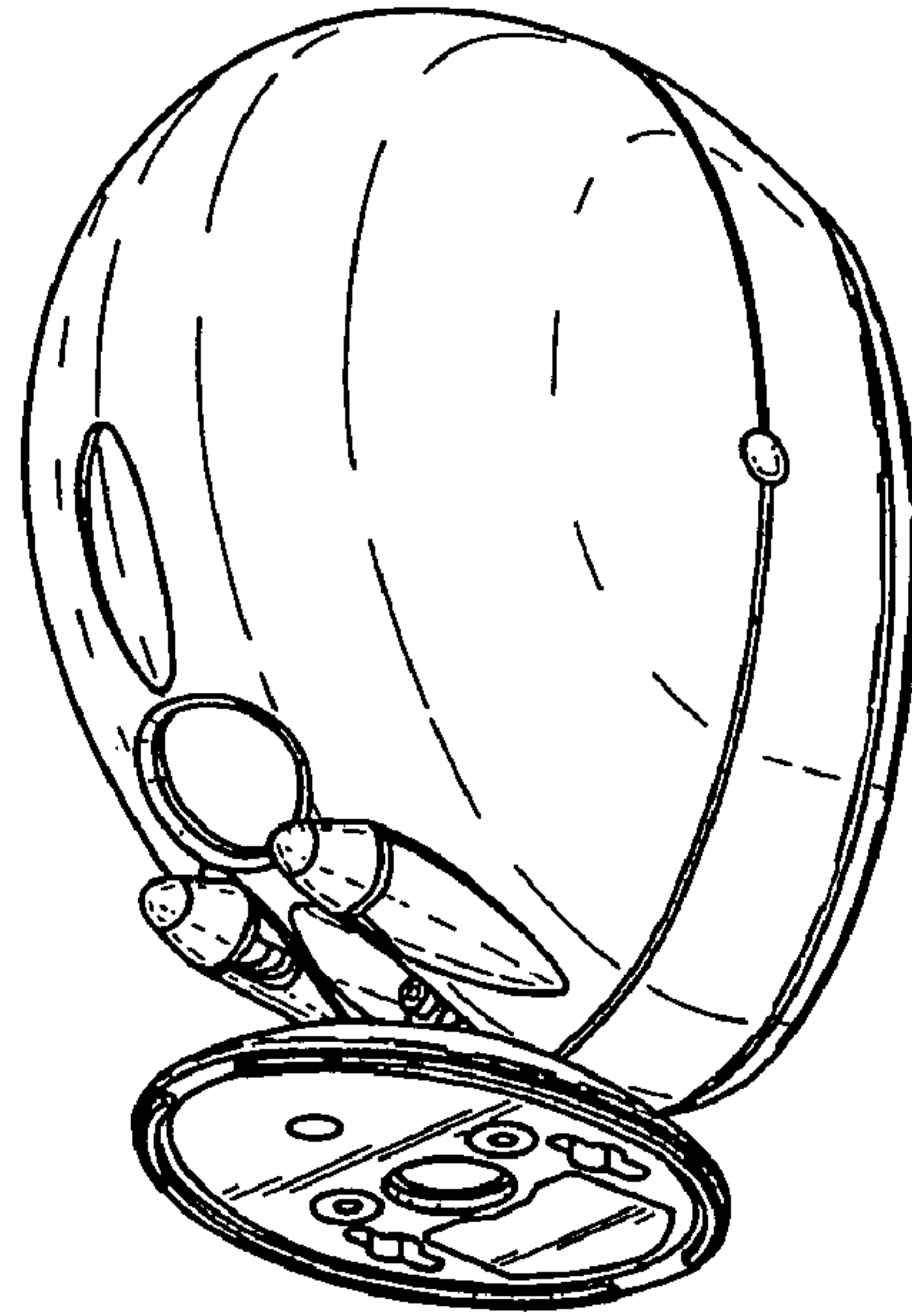


Fig.1.

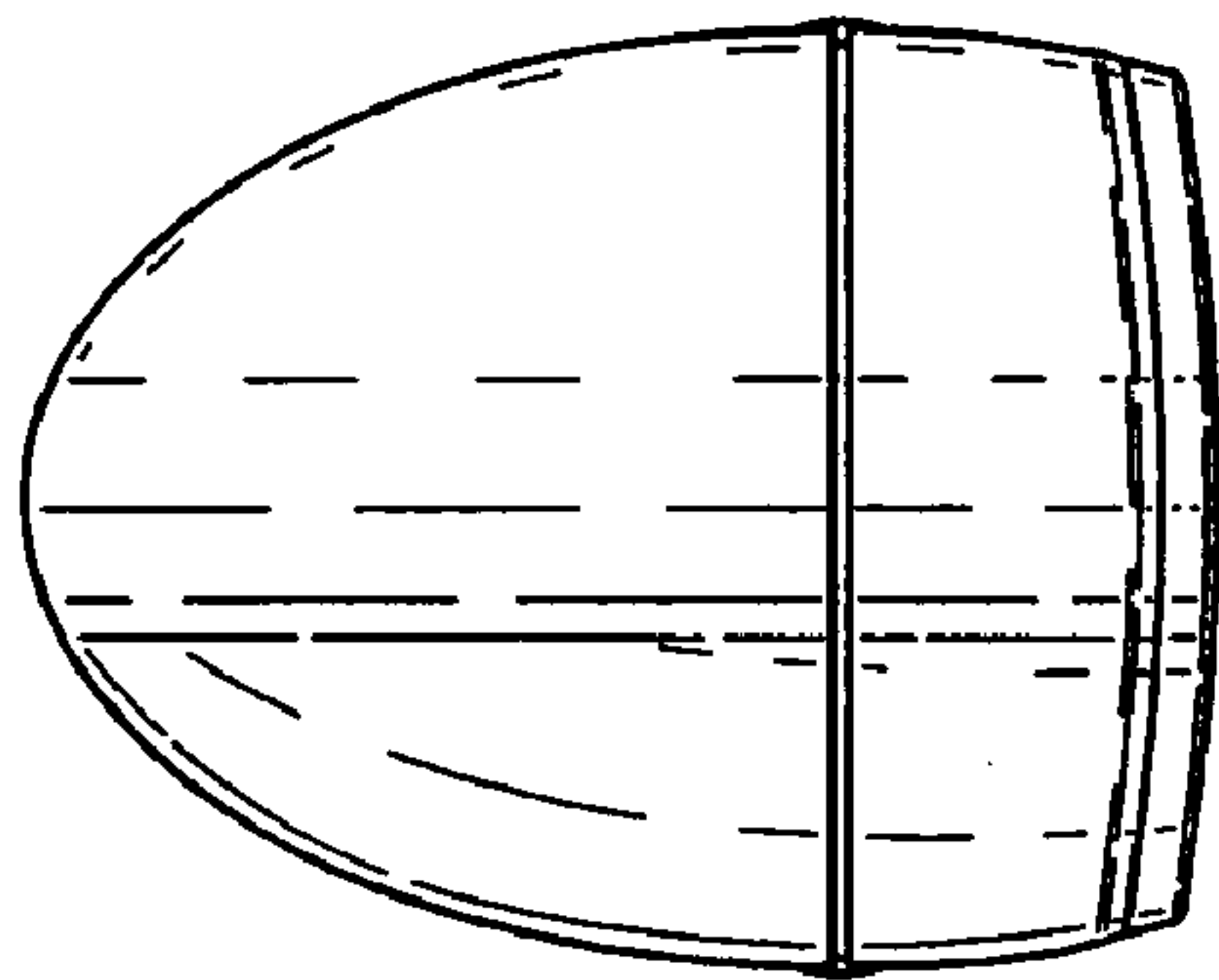


Fig.2.

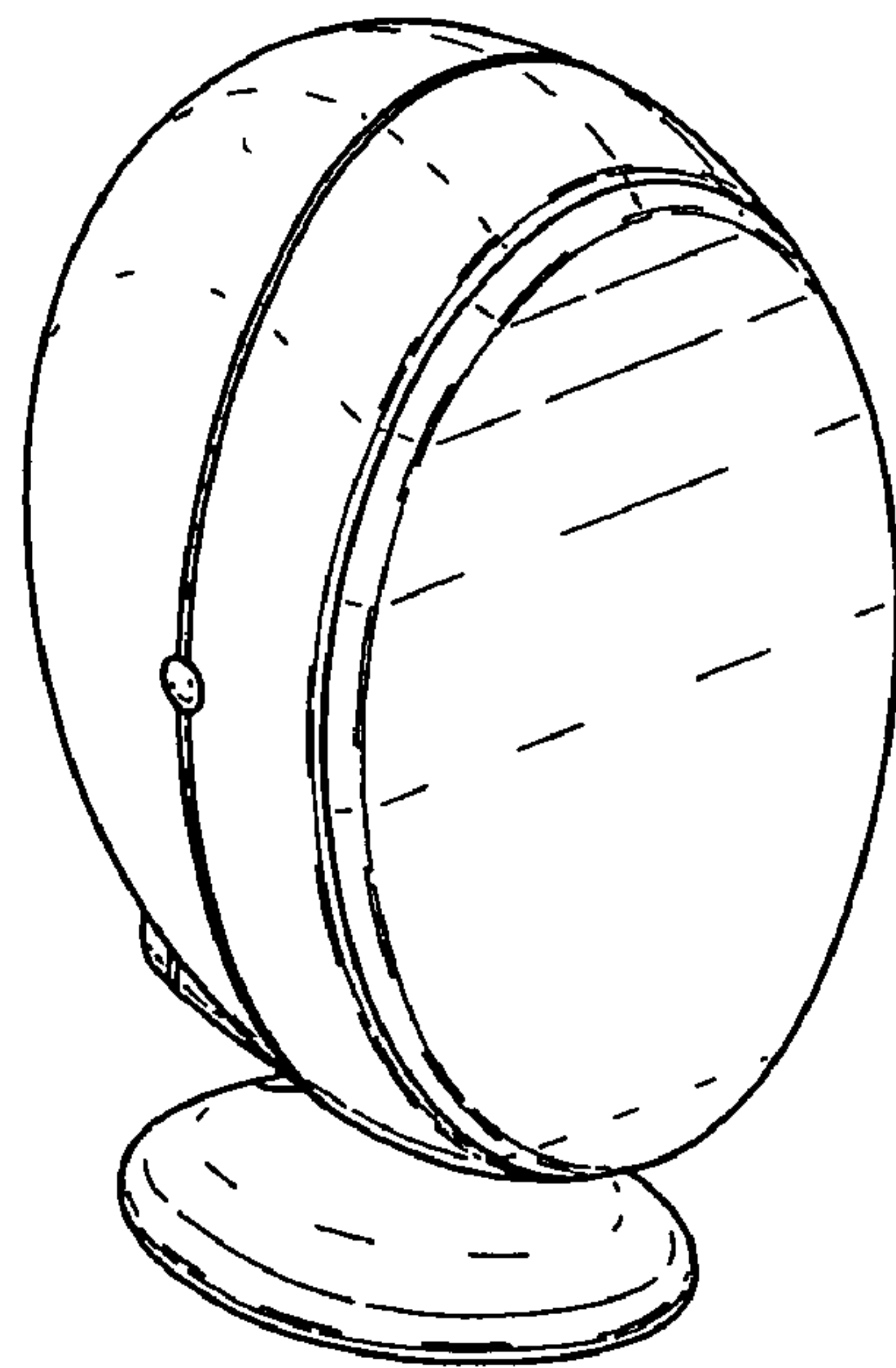


Fig.3.

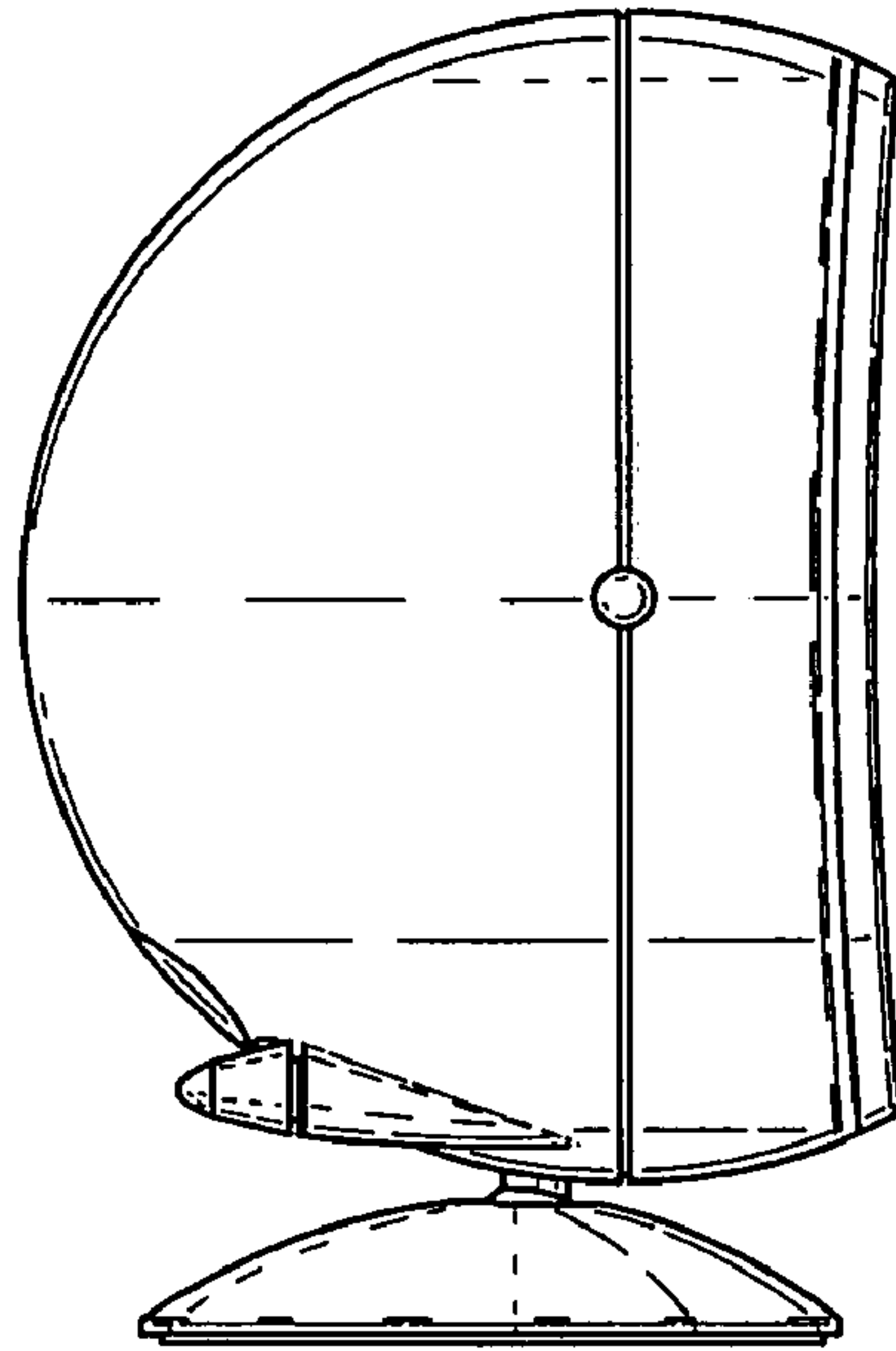


Fig.4.

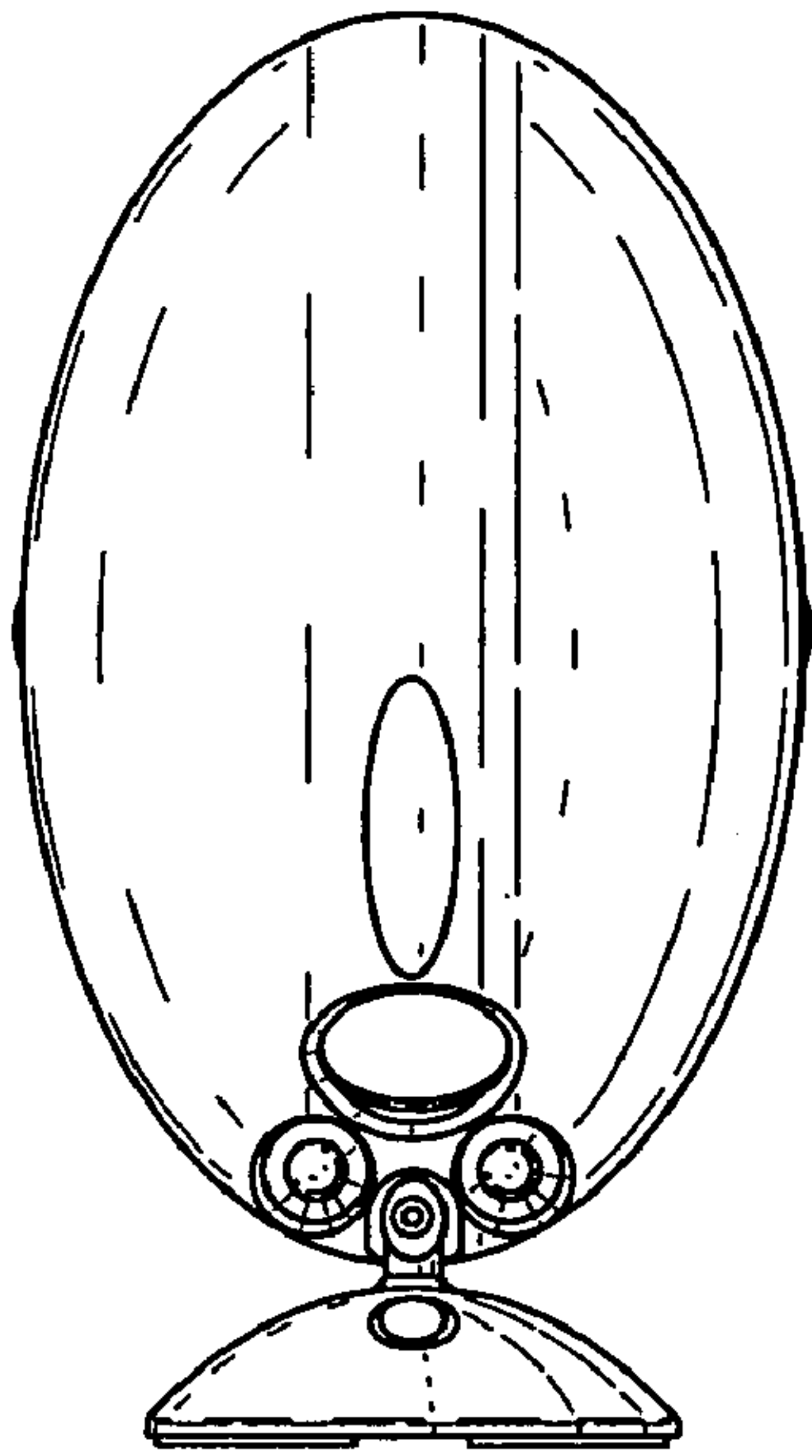


Fig.5.

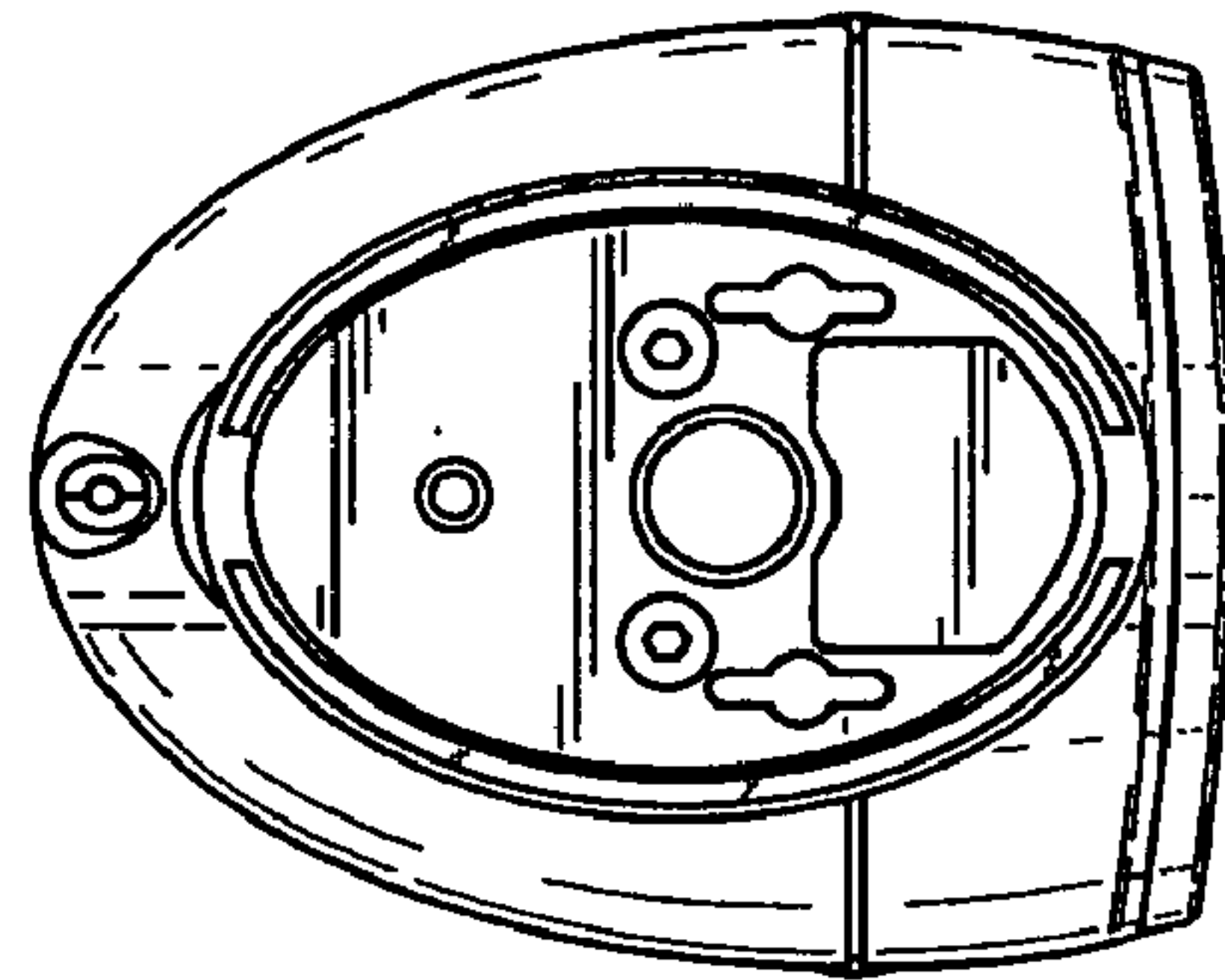


Fig.6.

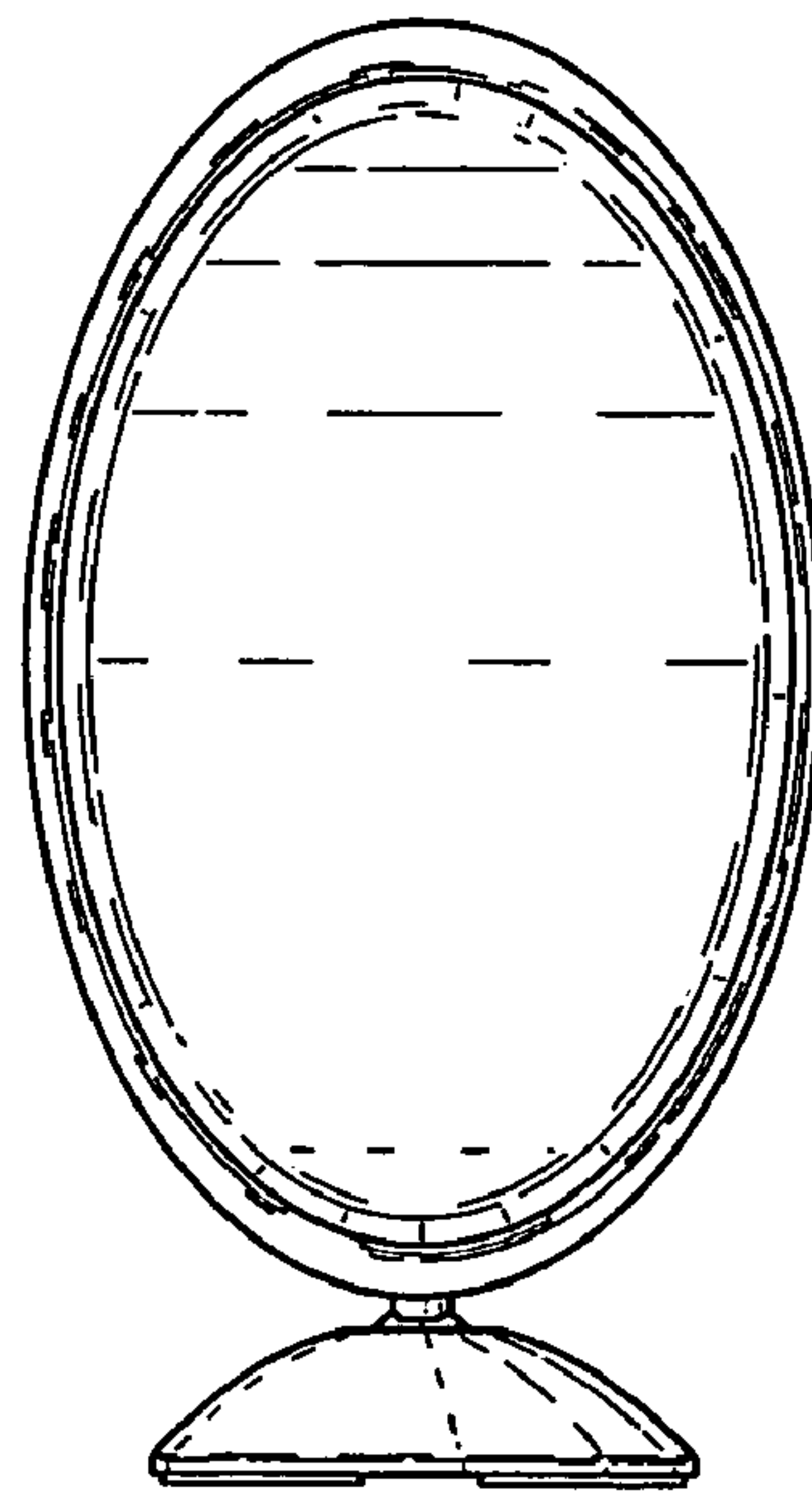


Fig.7.