

US00D547746S

(12) **United States Design Patent** (10) **Patent No.:** **US D547,746 S**
Allen (45) **Date of Patent:** **** Jul. 31, 2007**

(54) **LOUDSPEAKER**
(75) Inventor: **Graham Allen**, Alderly Edge (GB)
(73) Assignee: **GP Acoustics (UK) Limited**,
Maidstone, Kent (GB)
(**) Term: **14 Years**
(21) Appl. No.: **29/258,341**
(22) Filed: **Apr. 20, 2006**

D496,349 S 9/2004 Allen
D496,350 S 9/2004 Allen
D496,351 S 9/2004 Allen
D496,923 S 10/2004 Allen
D497,155 S 10/2004 Allen
D498,229 S 11/2004 Allen
D501,845 S 2/2005 Allen
D511,758 S 11/2005 Allen
D511,759 S 11/2005 Allen
D513,745 S 1/2006 Allen
D513,746 S 1/2006 Allen
D527,372 S 8/2006 Allen

(30) **Foreign Application Priority Data**
Oct. 20, 2005 (EM) 000417969
(51) **LOC (8) Cl.** **14-01**
(52) **U.S. Cl.** **D14/211; D14/215**
(58) **Field of Classification Search** D14/204,
D14/207, 209–216, 356; 181/143–144, 147–148,
181/150, 157, 198–199, 151, 153; 381/300–302,
381/306, 333, 345, 361–364, 386–388, 332,
381/336
See application file for complete search history.

OTHER PUBLICATIONS

KEF KHT1005 product overview, What Hi-Fi? Sound and Vision, Apr. 2004, p. 45.
KEF Works on its Eggs, as early as Nov. 2004; KEF KHT 2005.2 product overview, T3 “the worlds No. 1 gadget mag,” Mar. 16, 2004, http://www.t3.co.uk/reviews/entertainment/speakers/kef_kht_2005.2.

* cited by examiner

Primary Examiner—Nanda Bondade
(74) *Attorney, Agent, or Firm*—Kenneth L. Sherman, Esq.;
Myers Dawes Andras & Sherman, LLP

(56) **References Cited**
U.S. PATENT DOCUMENTS
D430,142 S * 8/2000 Kuo et al. D14/216
D437,843 S * 2/2001 Masui D14/215
D440,557 S * 4/2001 Su D14/215
D485,257 S 1/2004 Allen
D485,258 S 1/2004 Allen
D485,259 S 1/2004 Allen
D485,543 S 1/2004 Allen
D486,143 S 2/2004 Allen
D486,473 S 2/2004 Allen
D486,474 S 2/2004 Allen
D486,475 S 2/2004 Allen
D486,476 S 2/2004 Allen
D491,916 S 6/2004 Allen
D491,919 S 6/2004 Allen
D494,566 S * 8/2004 Allen D14/215
D496,025 S 9/2004 Allen

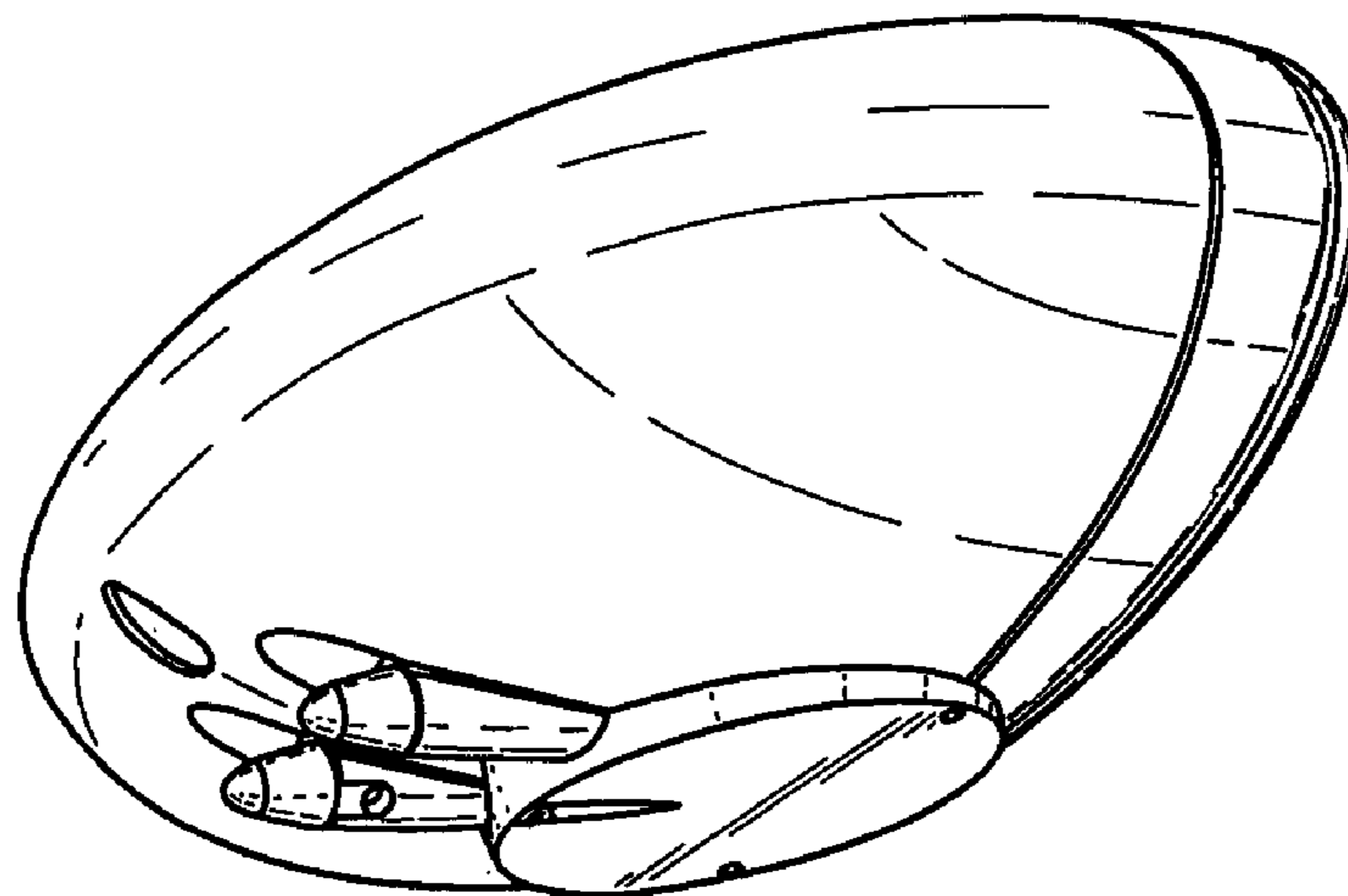
(57) **CLAIM**

I claim the ornamental design for a loudspeaker, substantially as shown and described.

DESCRIPTION

FIG. 1 is a rear perspective view of a loudspeaker showing my new design;
FIG. 2 is a top plan view thereof;
FIG. 3 is front elevational view thereof;
FIG. 4 is a left side elevational view thereof;
FIG. 5 is a right side view thereof;
FIG. 6 is a bottom plan view thereof; and,
FIG. 7 is a front perspective view thereof.

1 Claim, 2 Drawing Sheets



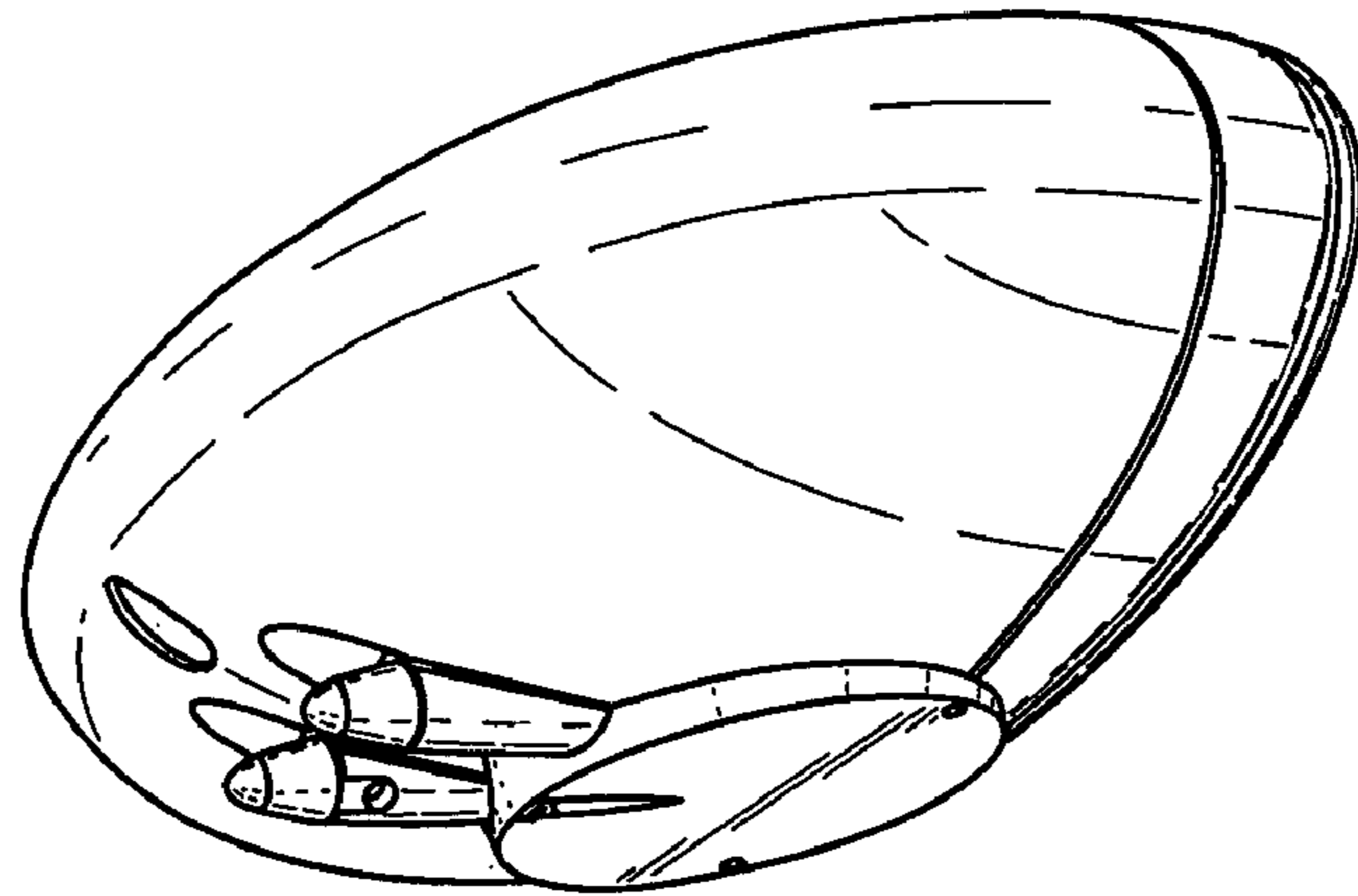


Fig.1.

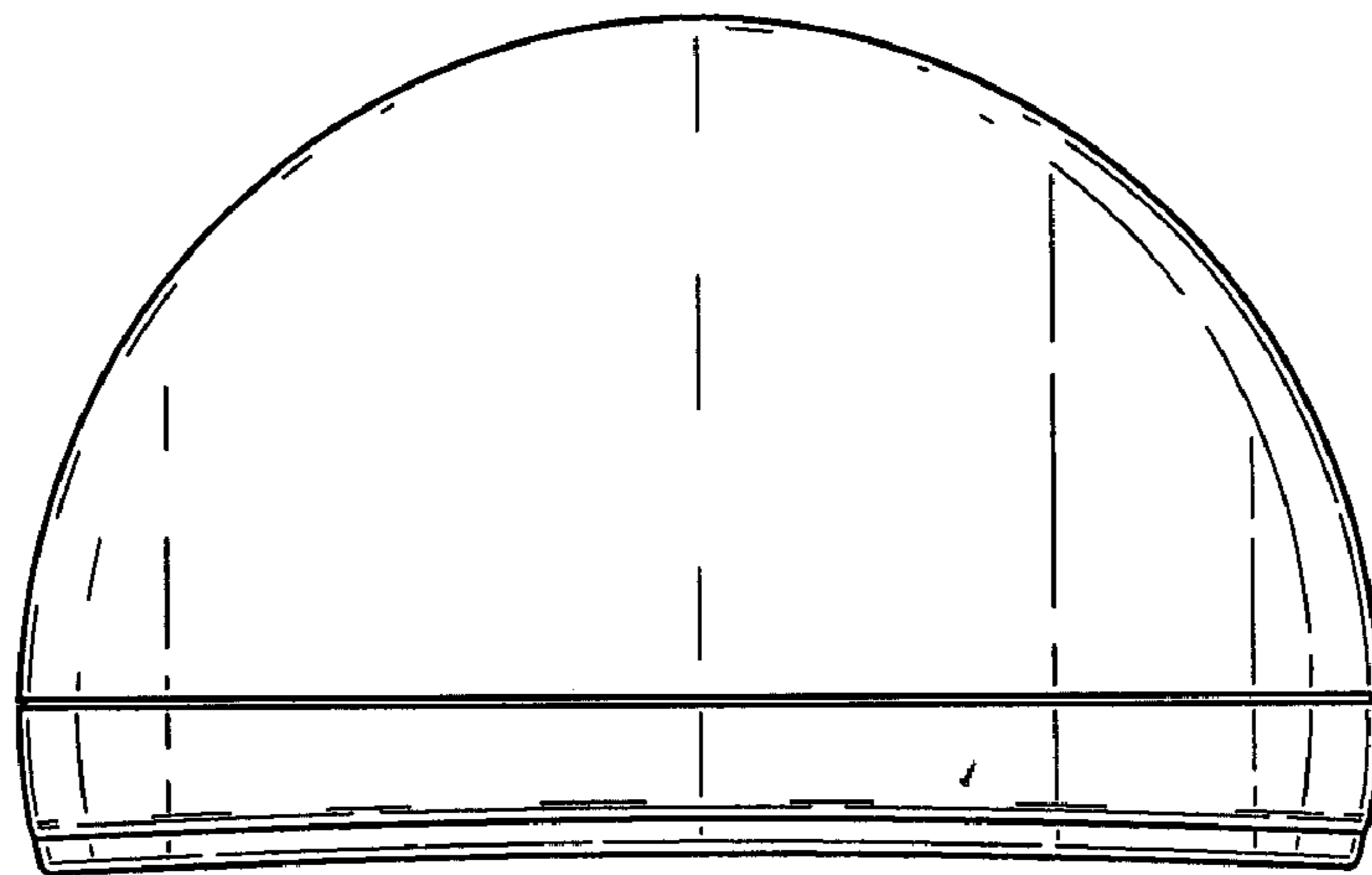


Fig.2.

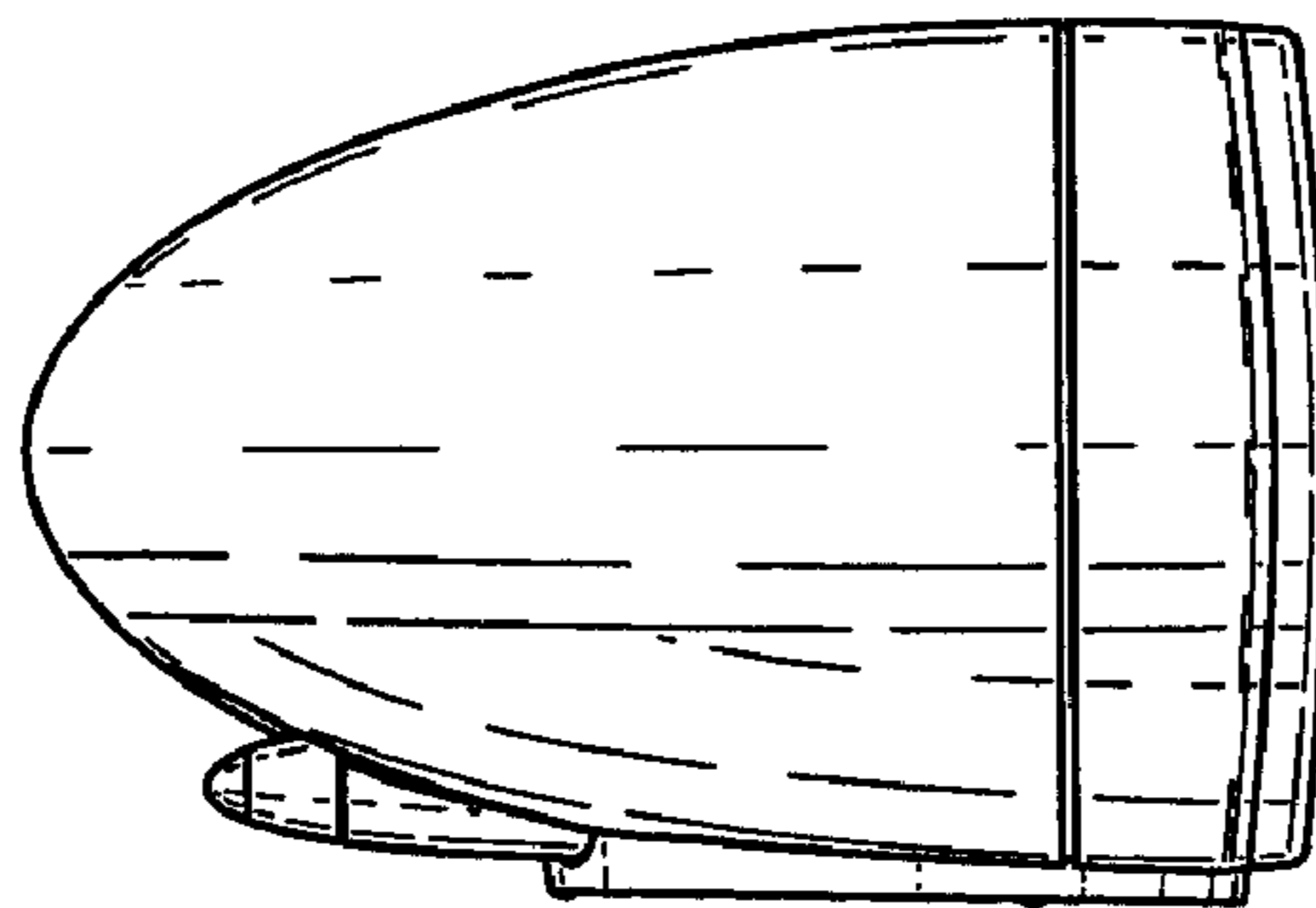


Fig.3.

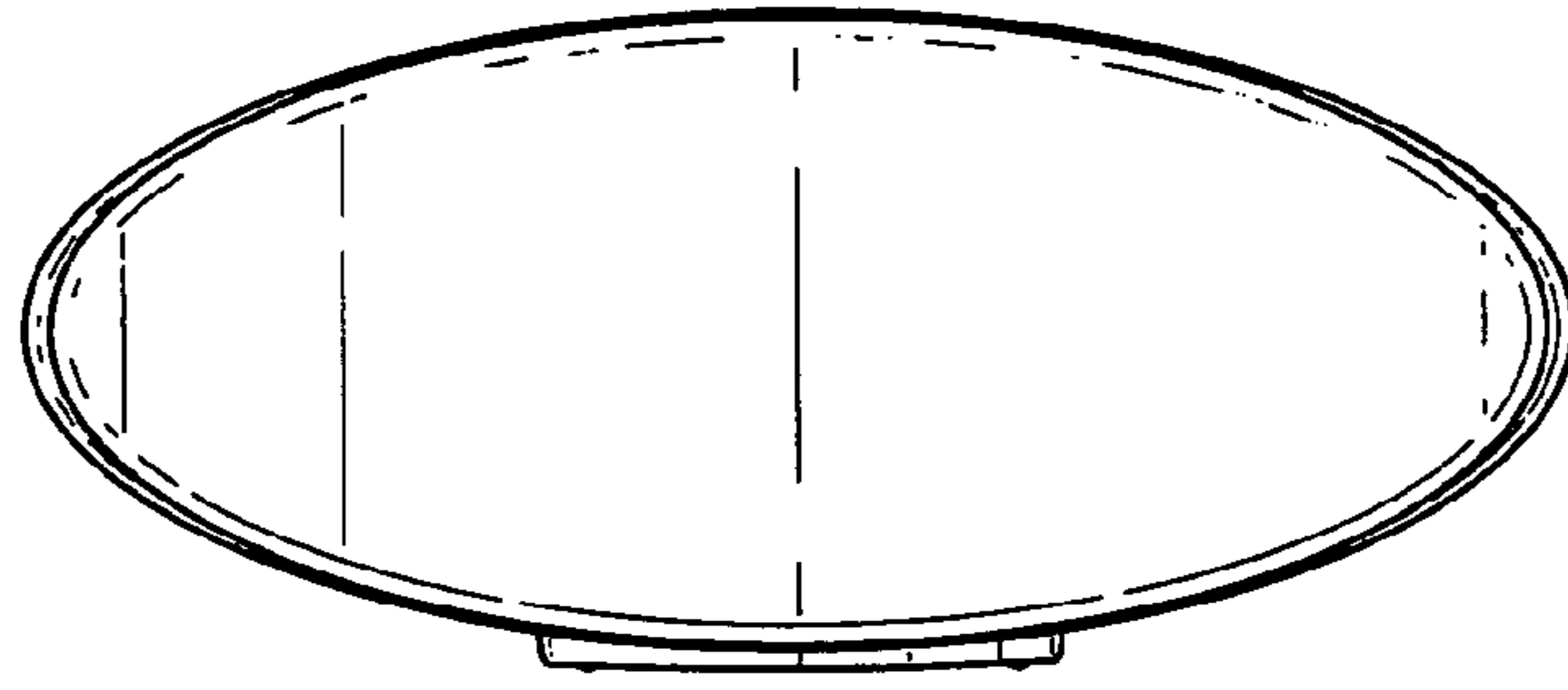


Fig.4.

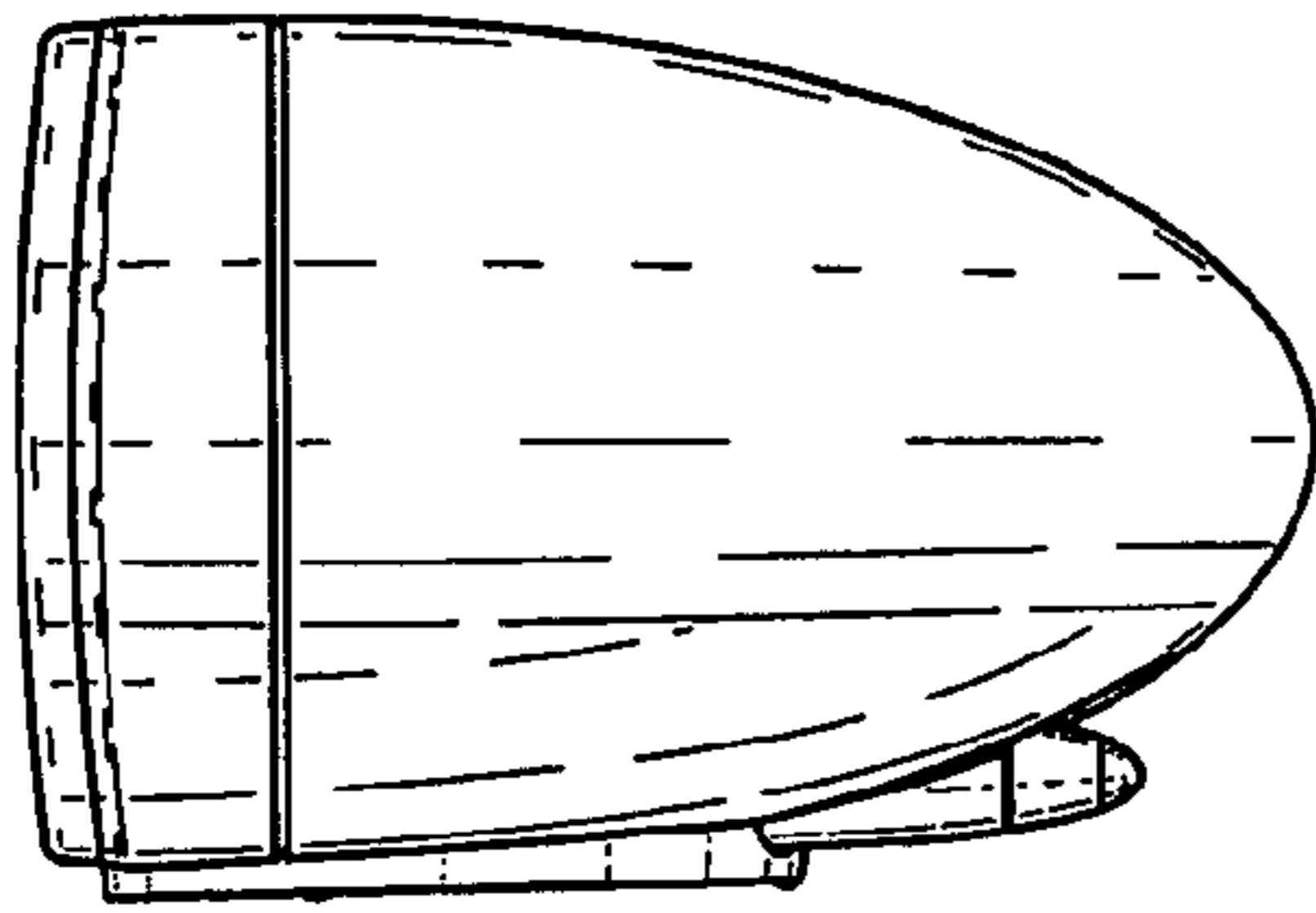


Fig.5.

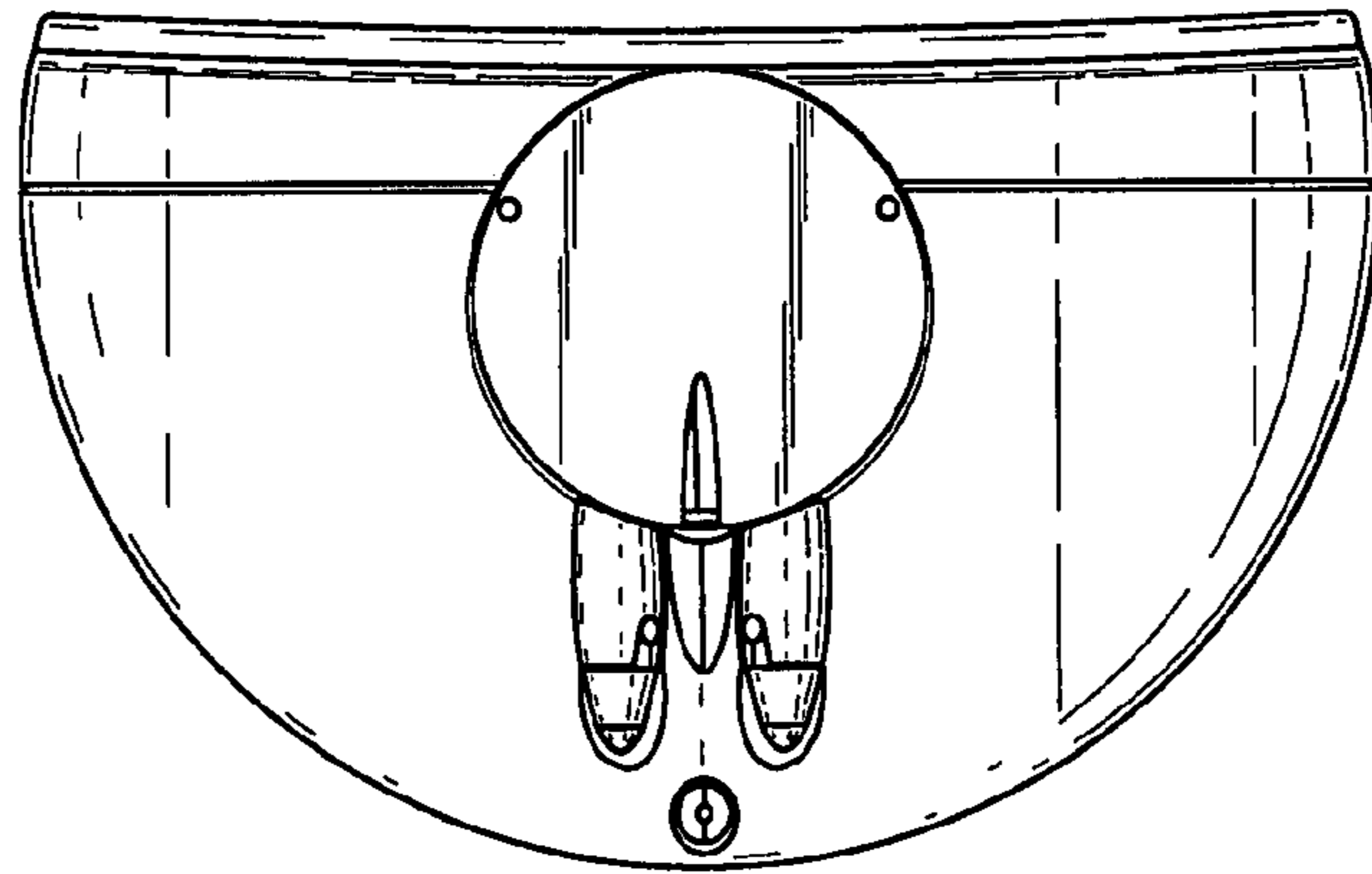


Fig.6.

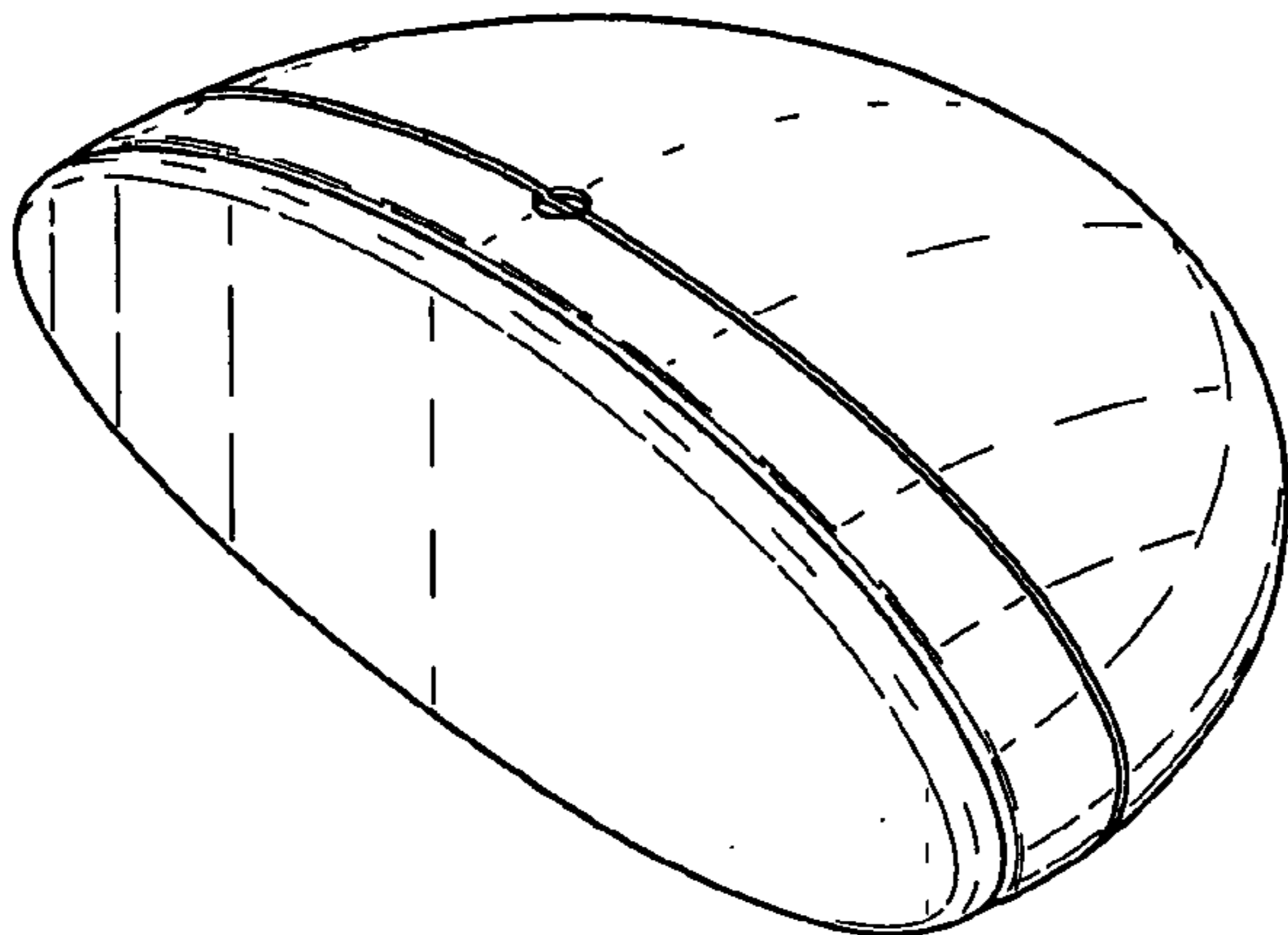


Fig.7.