



US00D547745S

(12) **United States Design Patent**
Cheung

(10) **Patent No.:** **US D547,745 S**

(45) **Date of Patent:** **** Jul. 31, 2007**

(54) **PORTABLE CD RADIO**

(76) **Inventor:** **Wallace Cheung**, Kenwin Industrial
HK Ltd., Rm 1512, 15/F, Shatin
Galleria, 18-24 Shan Mei St., Fotan,
N.T., Hong Kong (HK)

(**) **Term:** **14 Years**

(21) **Appl. No.:** **29/192,177**

(22) **Filed:** **Oct. 20, 2003**

(51) **LOC (8) Cl.** **14-01**

(52) **U.S. Cl.** **D14/168**

(58) **Field of Classification Search** D14/156,
D14/160-165, 167-168, 193-198, 188, 217,
D14/445; 360/99.02, 99.07, 75.11, 75.21,
360/77.21; 720/612, 619, 647, 655; 455/344,
455/347-351; 369/77.11

See application file for complete search history.

(56) **References Cited**

U.S. PATENT DOCUMENTS

D358,593 S * 5/1995 Oba D14/168

D406,843 S * 3/1999 Zeitman D14/162

D451,487 S * 12/2001 Ng D14/156

D464,637 S * 10/2002 Ng D14/168

D467,570 S * 12/2002 Kulkarni D14/168

* cited by examiner

Primary Examiner—Nanda Bondade

(74) *Attorney, Agent, or Firm*—Eric Hanscom

(57) **CLAIM**

The ornamental design for a portable CD radio, as shown.

DESCRIPTION

FIG. 1 is a front perspective view of a portable CD radio showing my new design;

FIG. 2 is a front view thereof;

FIG. 3 is a bottom view thereof;

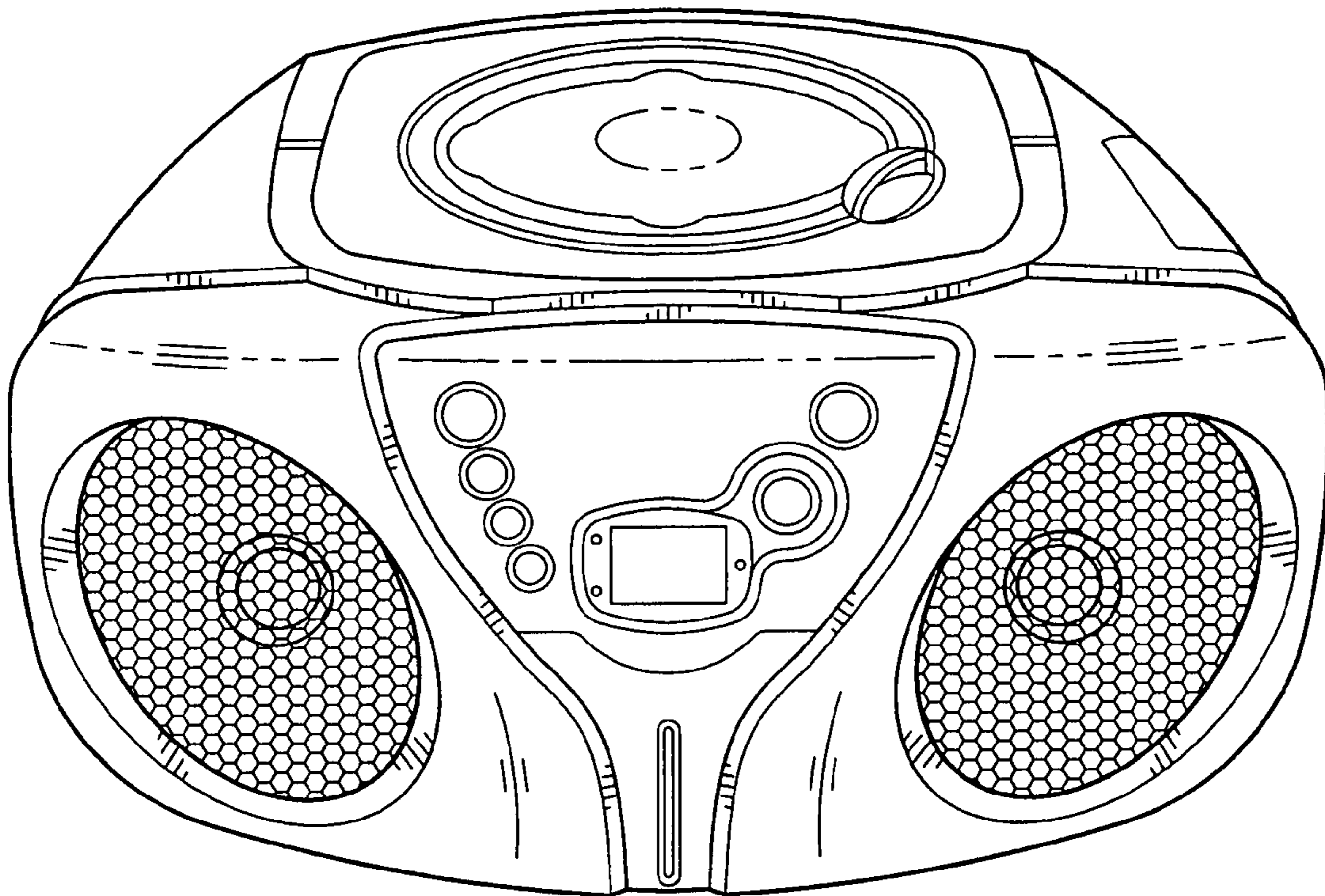
FIG. 4 is a right side view thereof;

FIG. 5 is a left side view thereof;

FIG. 6 is a back view thereof; and,

FIG. 7 is a top view thereof.

1 Claim, 4 Drawing Sheets



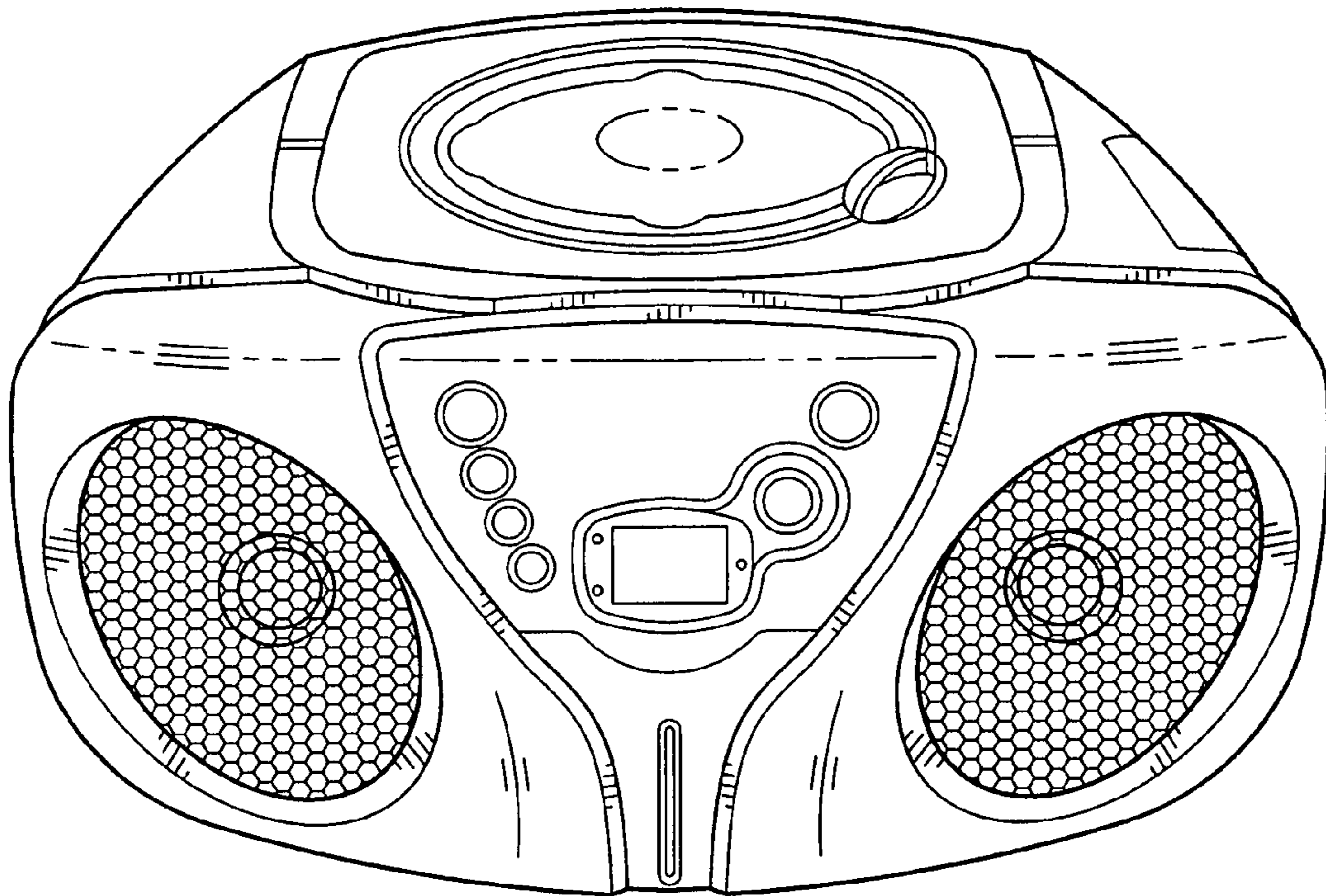


FIG. 1

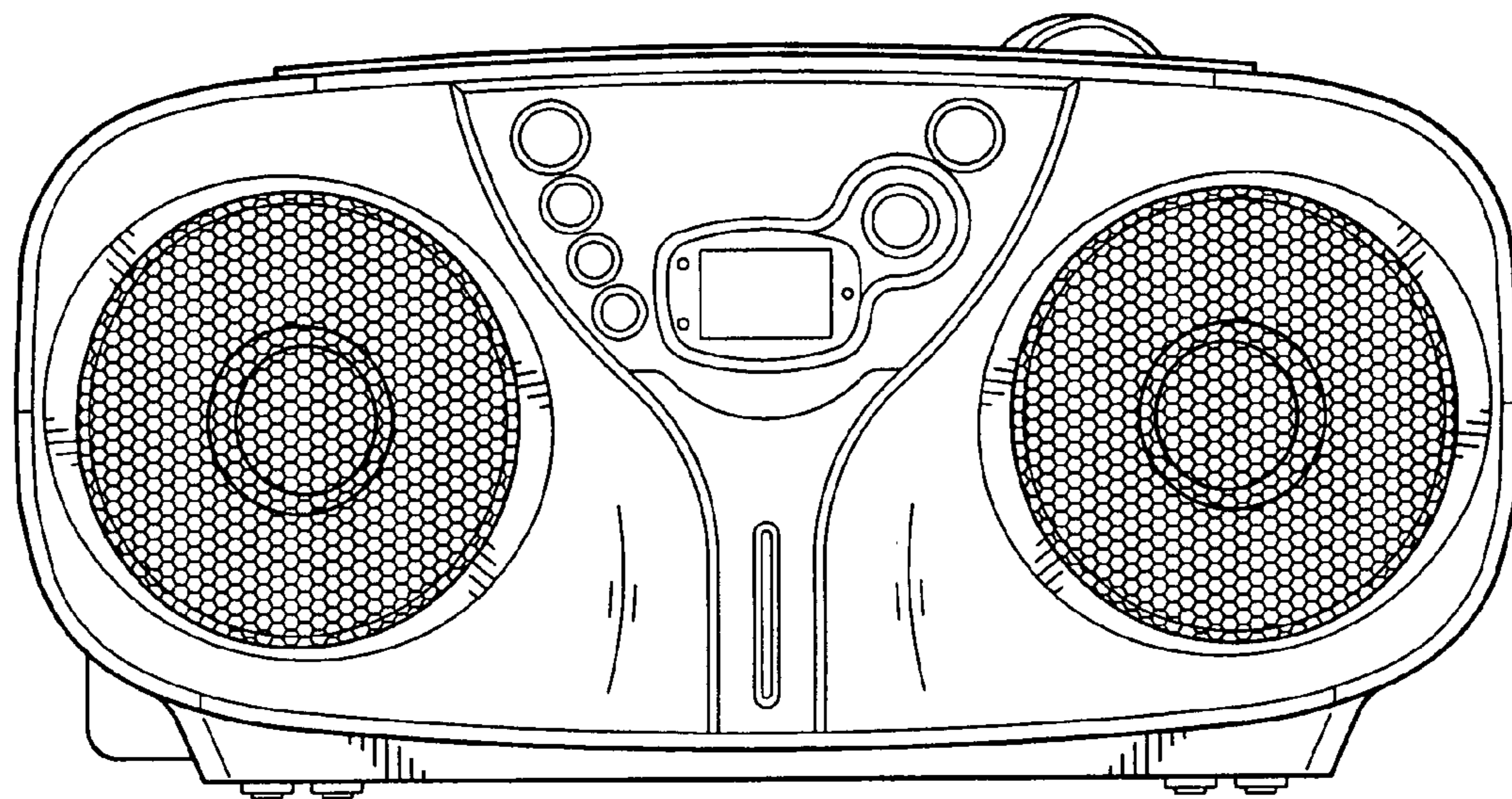


FIG. 2

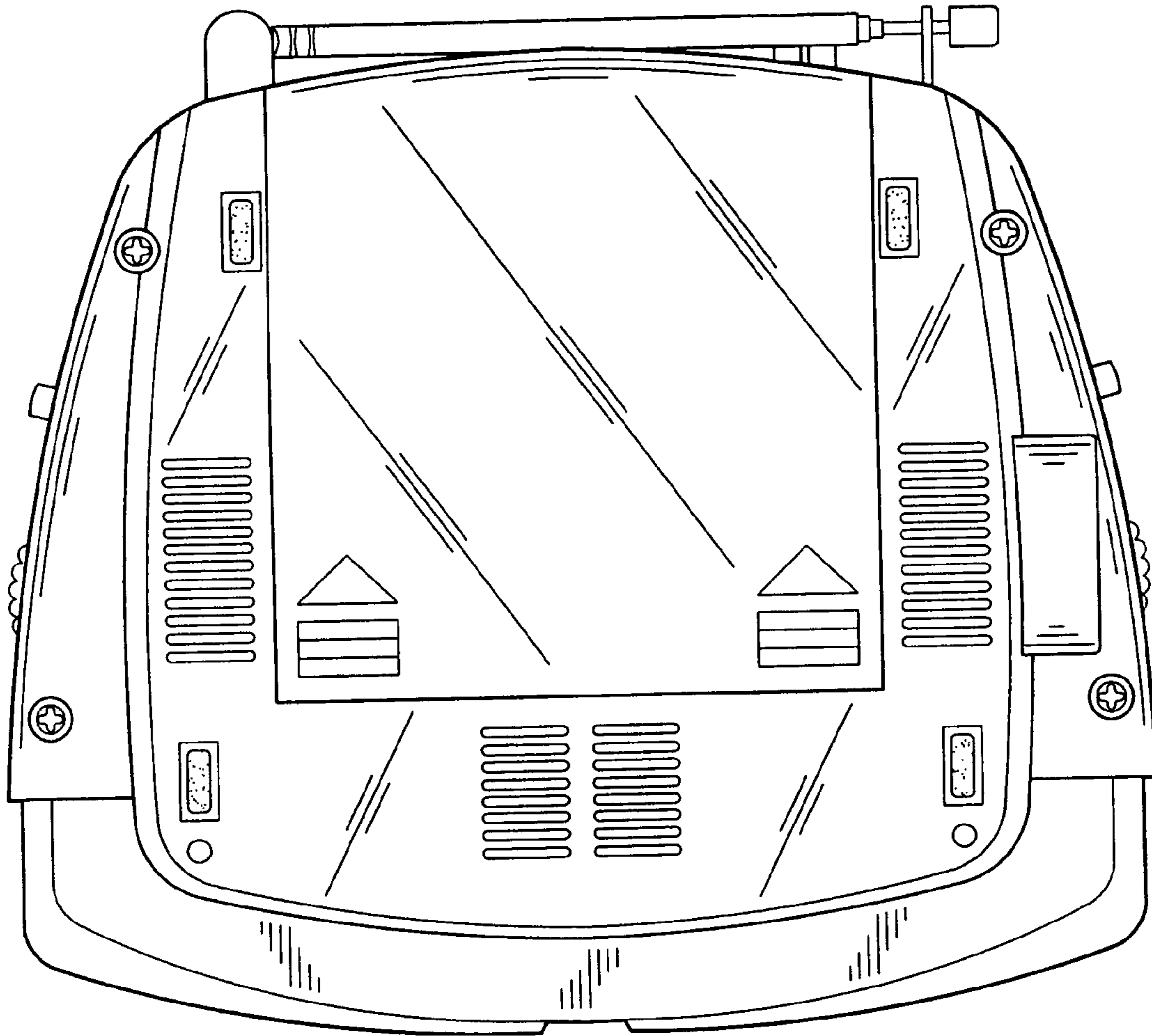


FIG. 3

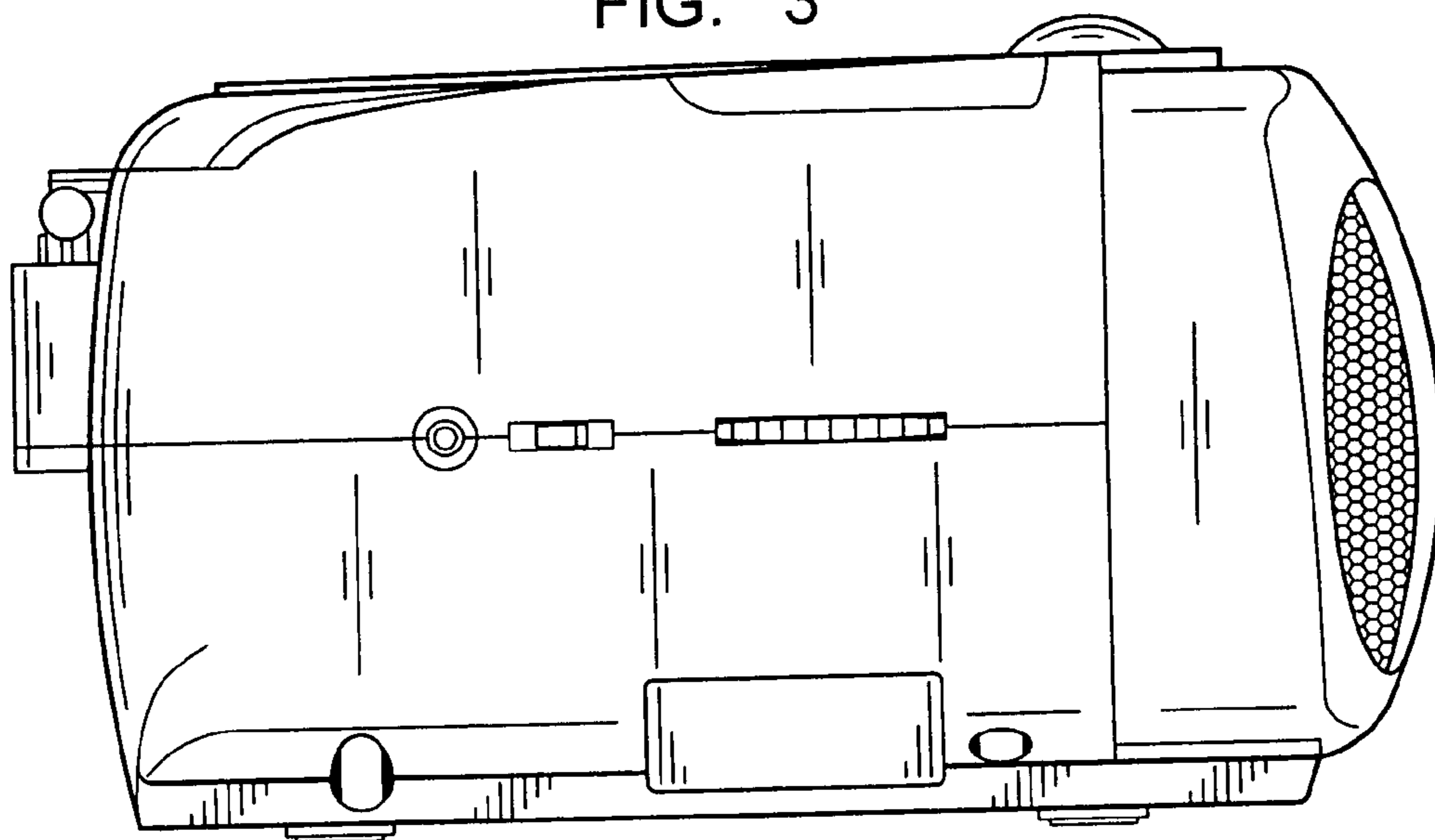


FIG. 4

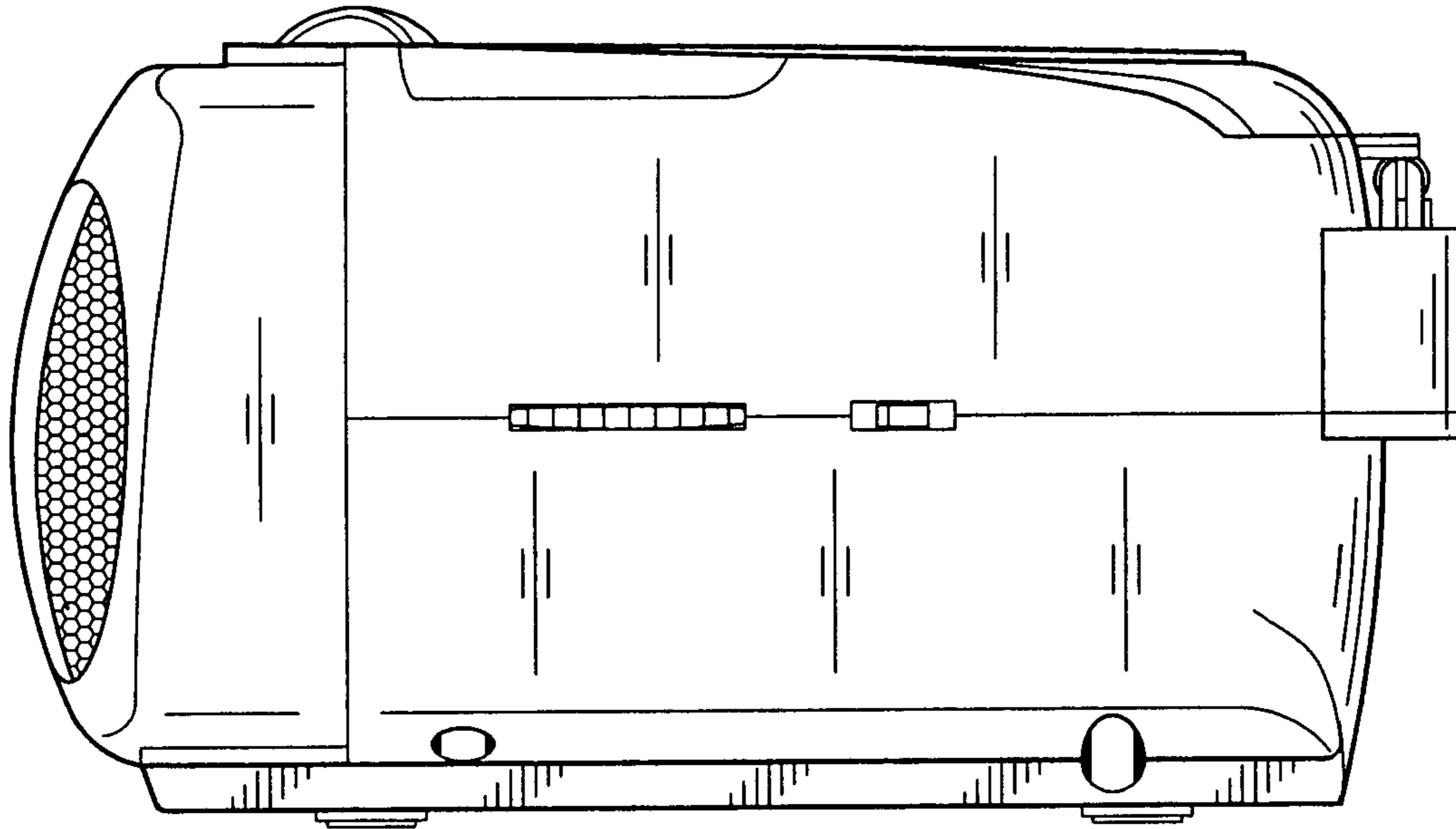


FIG. 5

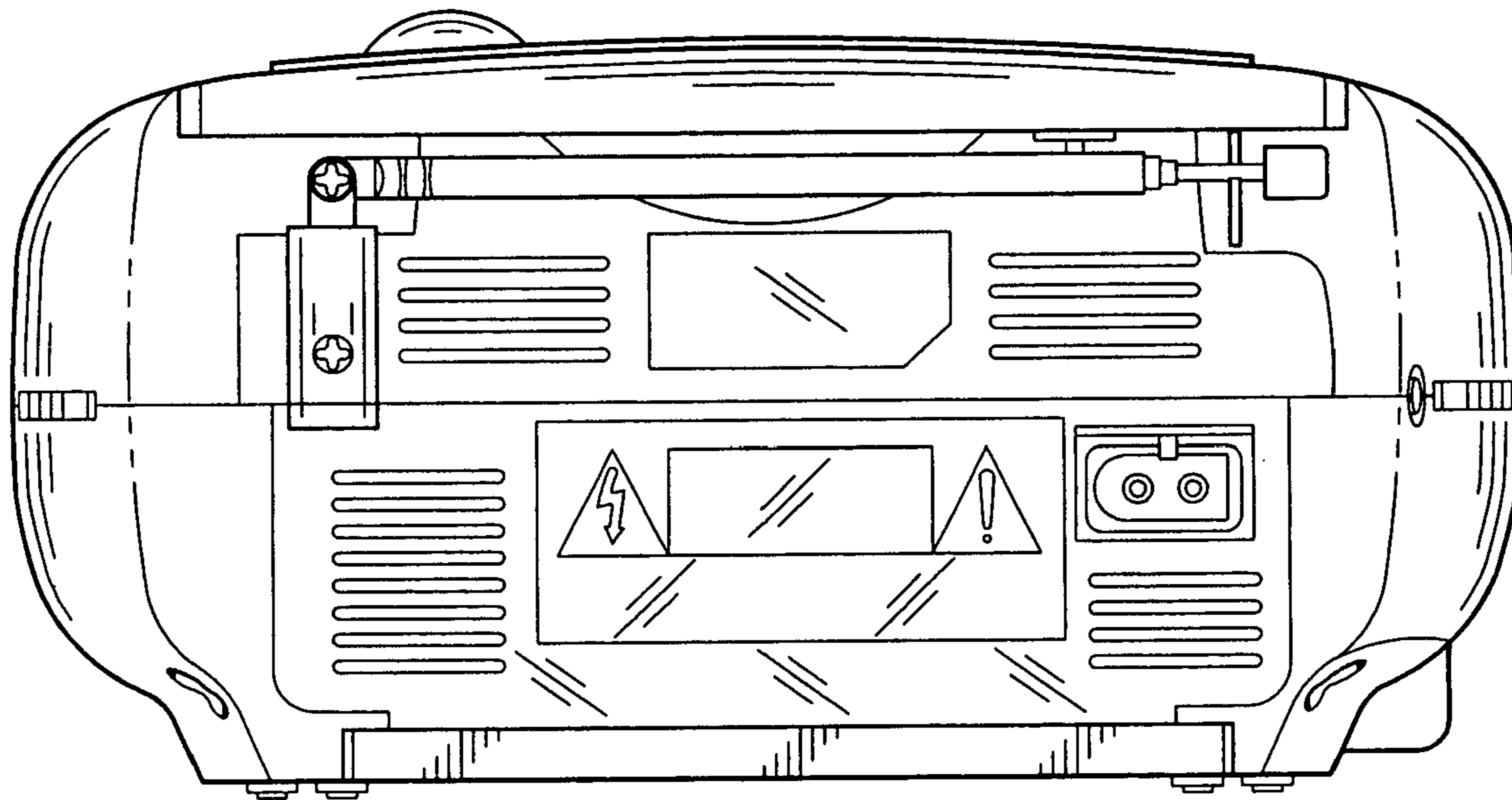


FIG. 6

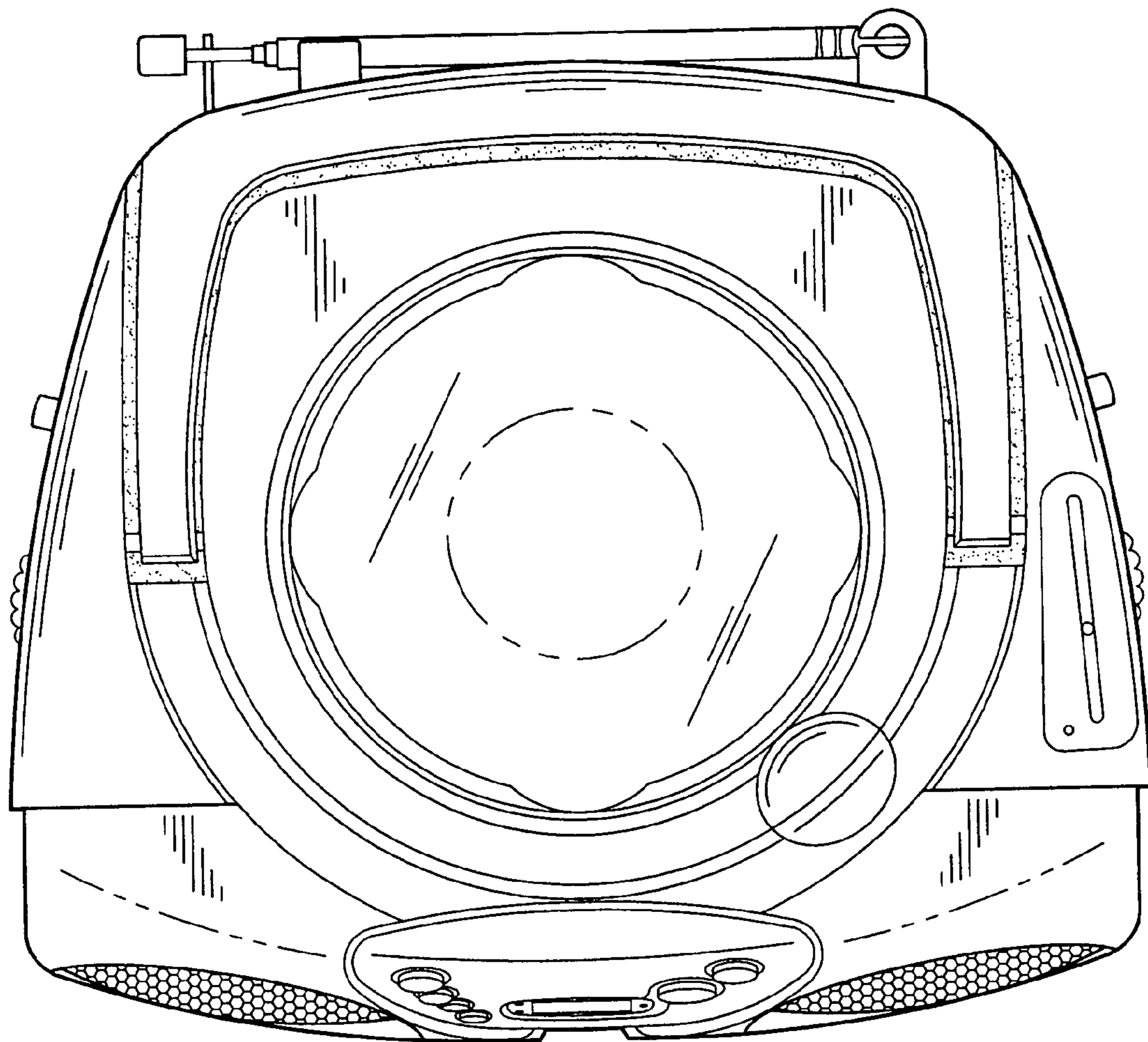


FIG. 7