



US00D547741S

(12) **United States Design Patent**
Vitito

(10) **Patent No.:** **US D547,741 S**
(45) **Date of Patent:** **** Jul. 31, 2007**

(54) **VEHICLE ENTERTAINMENT SYSTEM**

(57) **CLAIM**

(76) Inventor: **Christopher J. Vitito**, 514
Longmeadow St., Celebration, FL (US)
34747

The ornamental design for a vehicle entertainment system,
as shown and described.

(**) Term: **14 Years**

DESCRIPTION

(21) Appl. No.: **29/259,172**

FIG. 1 is a front view of a vehicle entertainment system
showing my new design.

(22) Filed: **May 4, 2006**

FIG. 2 is a rear view of the vehicle entertainment system
shown in FIG. 1.

(51) **LOC (8) Cl.** **14-03**

FIG. 3 is a bottom view of the vehicle entertainment system
shown in FIG. 1.

(52) **U.S. Cl.** **D14/127; D14/132**

FIG. 4 is a side view of the vehicle entertainment system
shown in FIG. 1.

(58) **Field of Classification Search** D14/125-136,
D14/239, 371, 374-376; 312/7.2; 348/836,
348/838, 180, 184, 325, 739; 341/12; 248/917-924;
345/104, 133, 156, 168, 87, 173; 353/74;
340/700; D12/415-418, 345; D21/329,
D21/515
See application file for complete search history.

FIG. 5 is an opposite side view of the vehicle entertainment
system shown in FIG. 1.

FIG. 6 is a front view of the vehicle entertainment system
shown in FIG. 1 with the video monitor pivoted.

FIG. 7 is a front view of the vehicle entertainment system in
accordance with an alternate embodiment.

FIG. 8 is a rear view of the vehicle entertainment system
shown in FIG. 7.

FIG. 9 is a bottom view of the vehicle entertainment system
shown in FIG. 7.

FIG. 10 is a side view of the vehicle entertainment system
shown in FIG. 7.

FIG. 11 is an opposite side view of the vehicle entertainment
system shown in FIG. 7; and,

FIG. 12 is a front view of the vehicle entertainment system
shown in FIG. 7 with the video monitor pivoted.

The broken lines shown in FIGS. 1, 6, 7 and 12 are for
illustrative purposes only and form no part of the claimed
design.

(56) **References Cited**

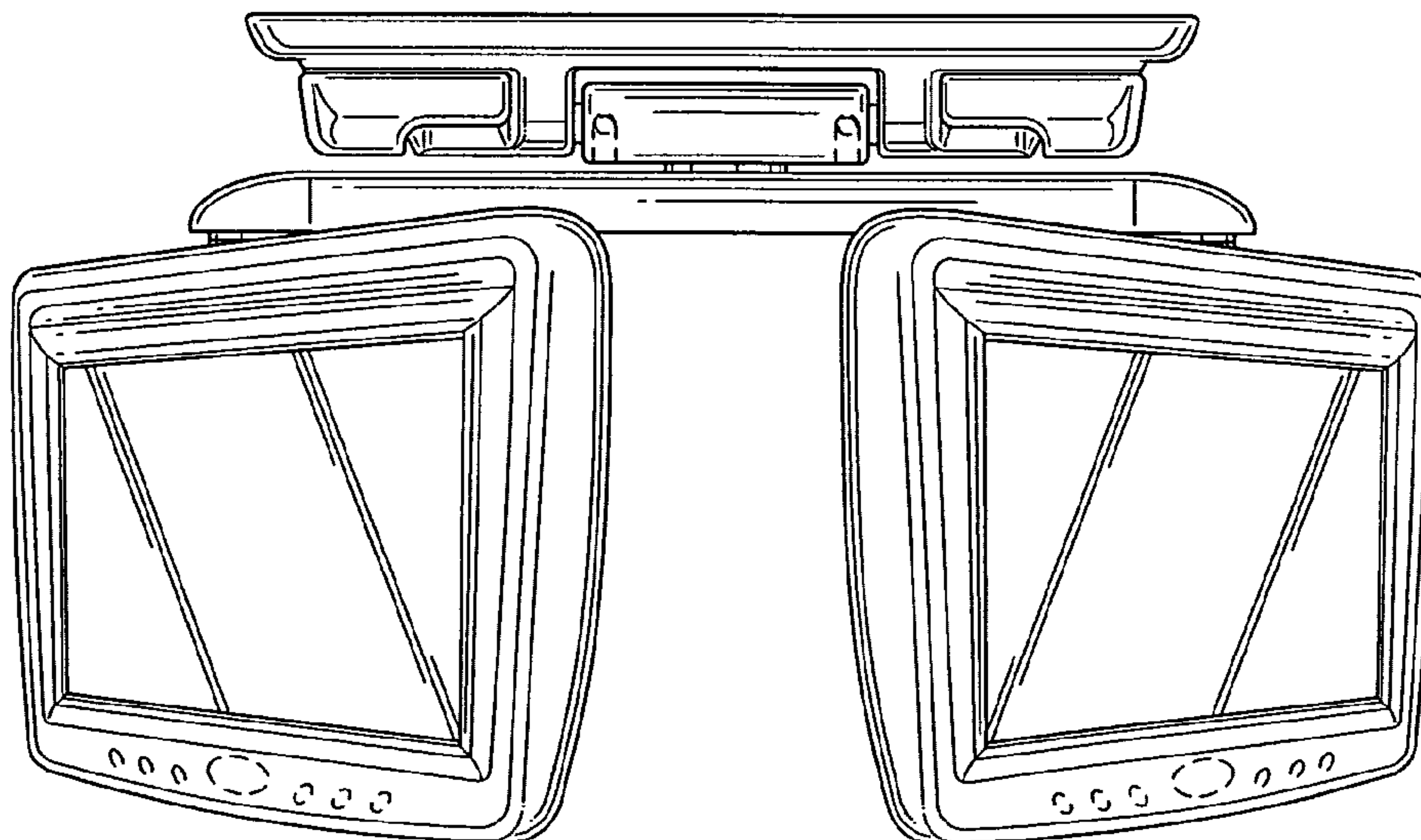
U.S. PATENT DOCUMENTS

D395,298 S *	6/1998	Rosen	D14/127
D485,812 S *	1/2004	Park	D14/132
D508,900 S *	8/2005	Kawano et al.	D14/132

* cited by examiner

Primary Examiner—Raphael Barkai
(74) *Attorney, Agent, or Firm*—Welsh & Flaxman LLC

1 Claim, 4 Drawing Sheets



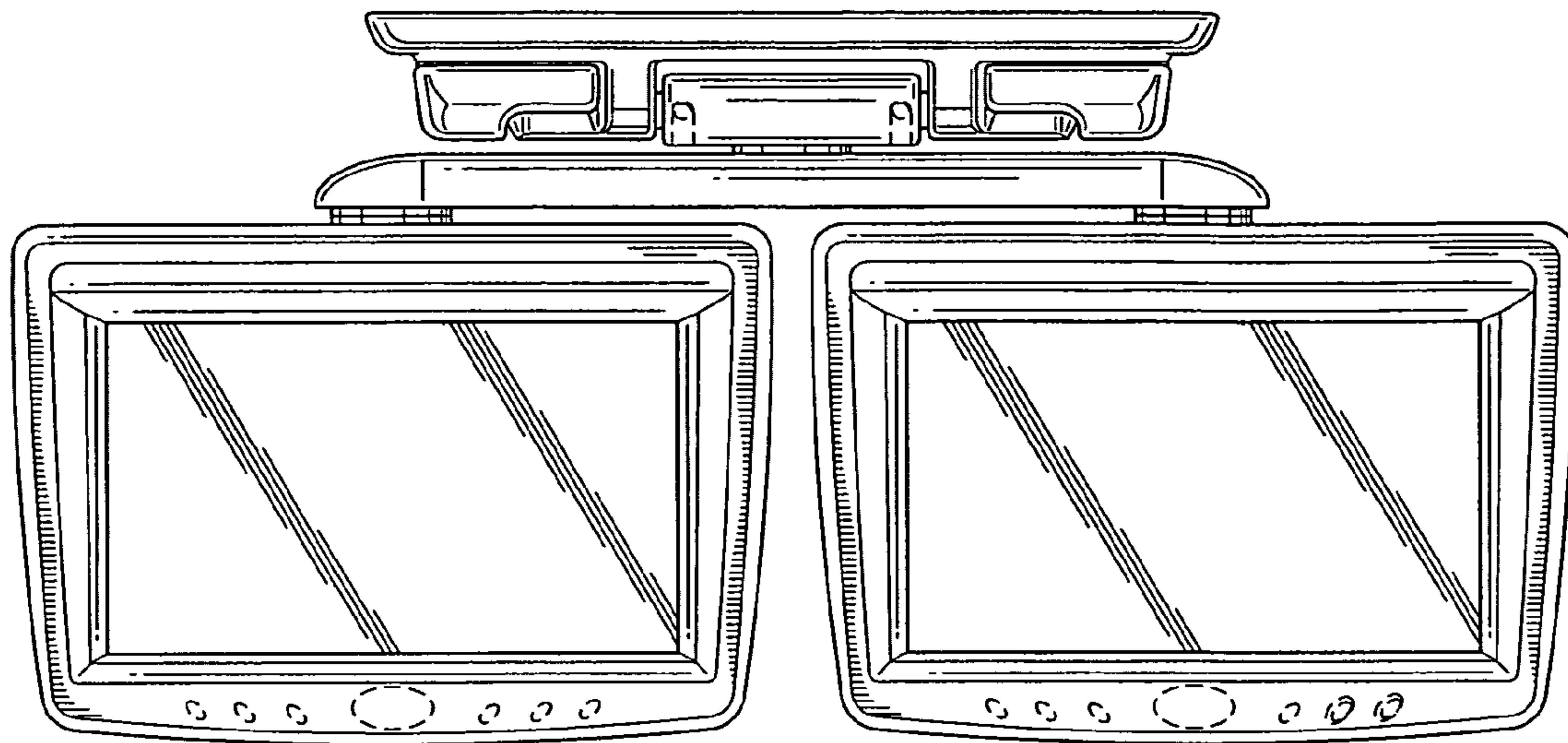


FIG. 1

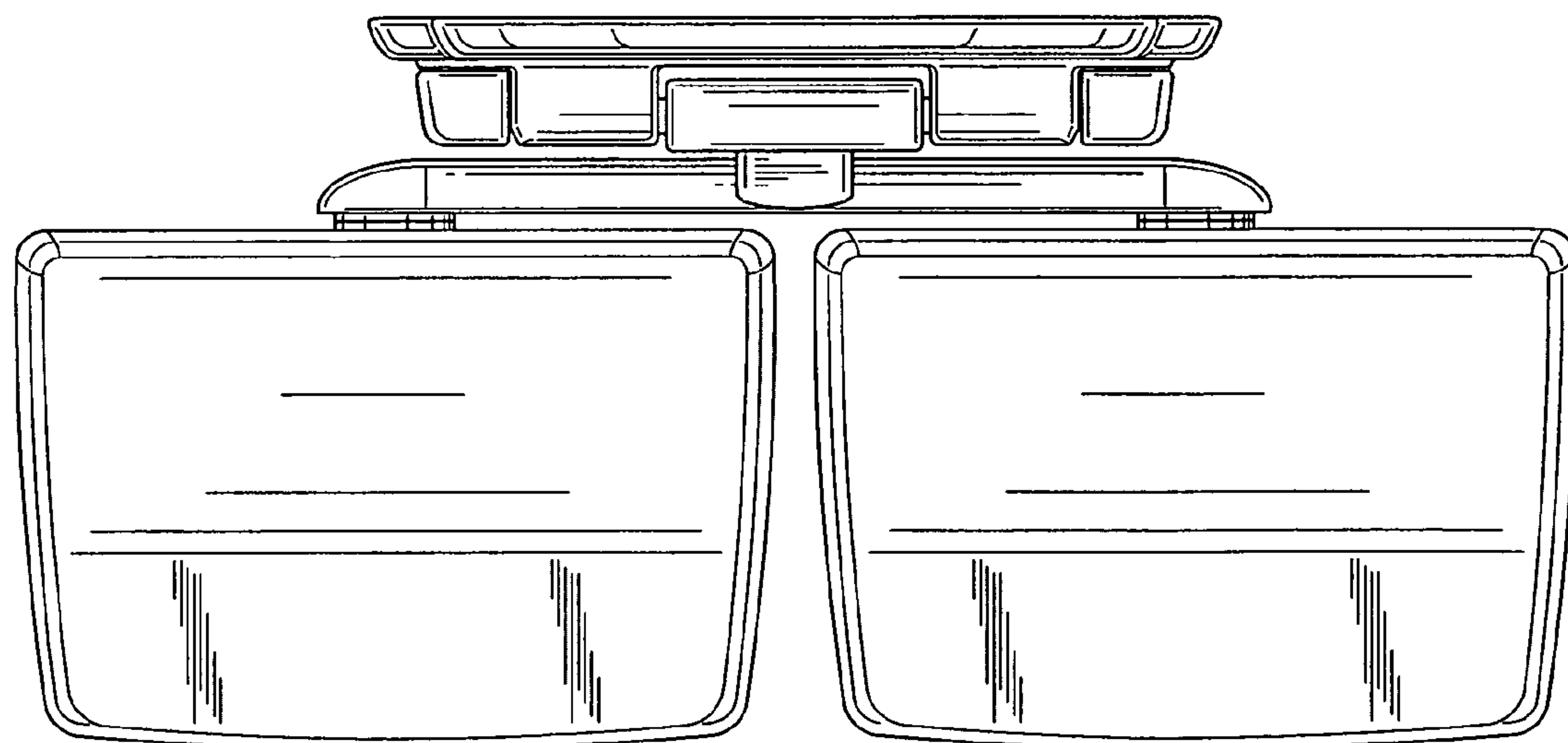


FIG. 2

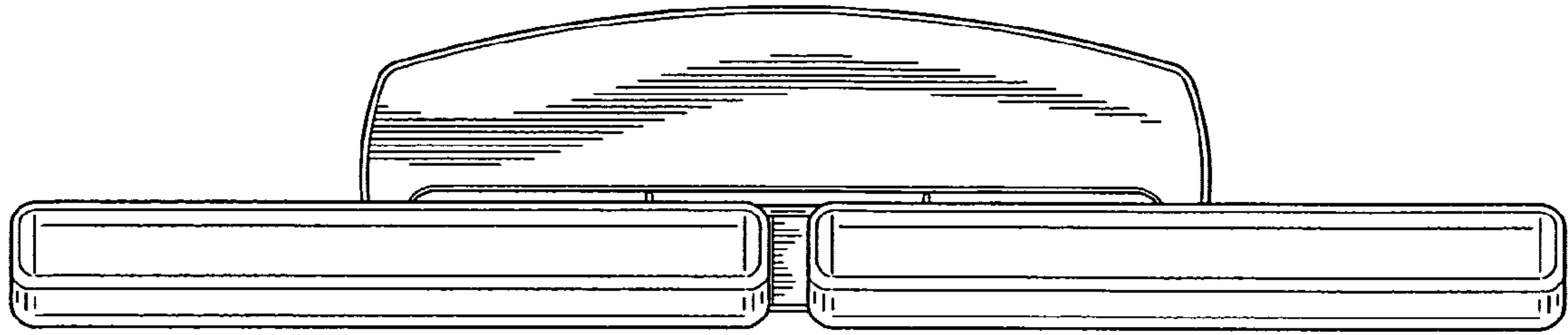


FIG. 3

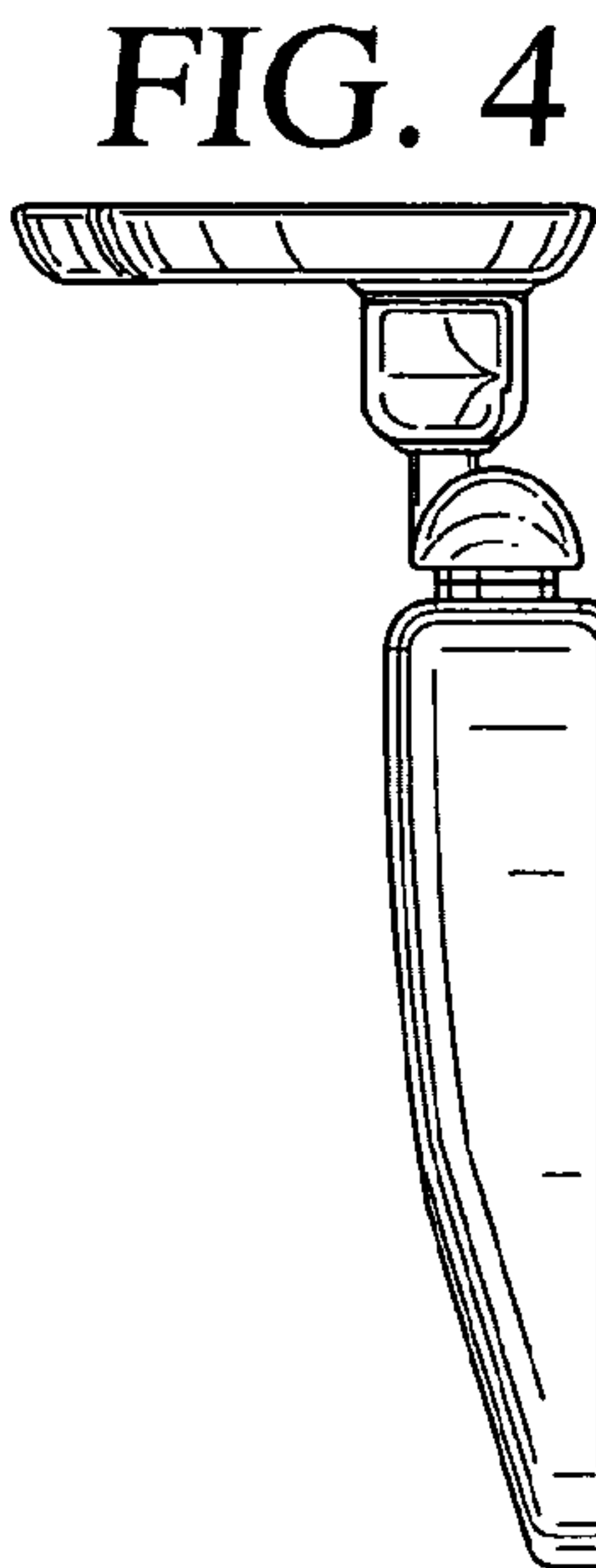


FIG. 4

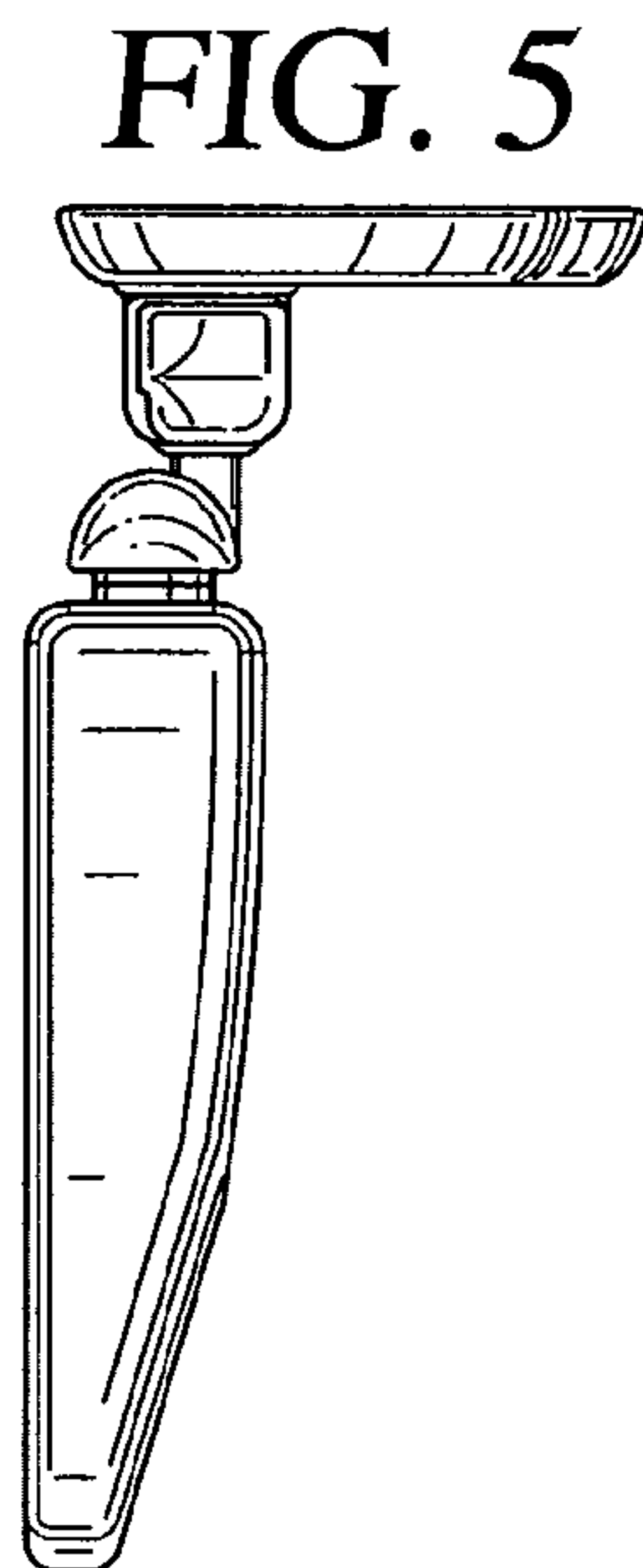
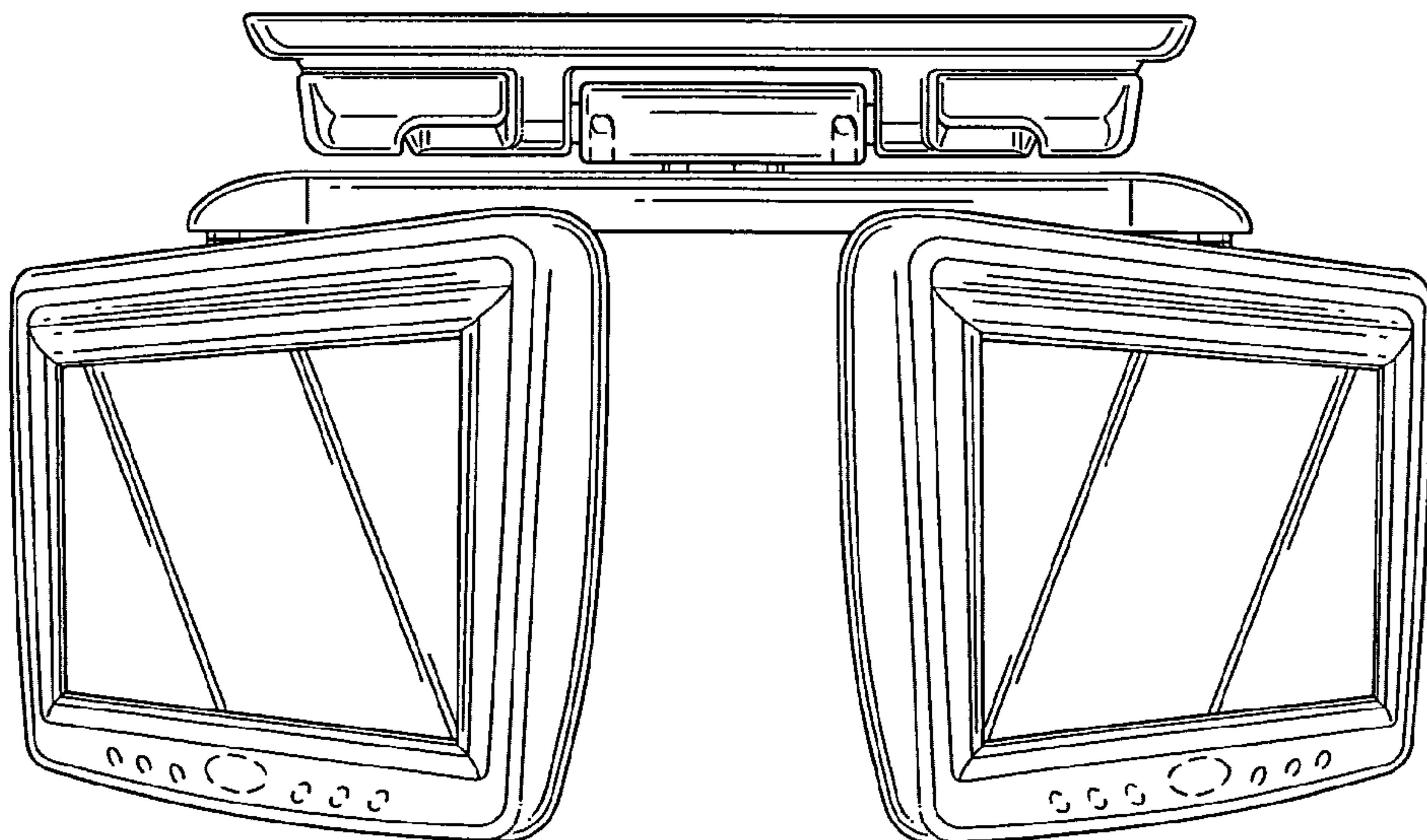


FIG. 5

FIG. 6



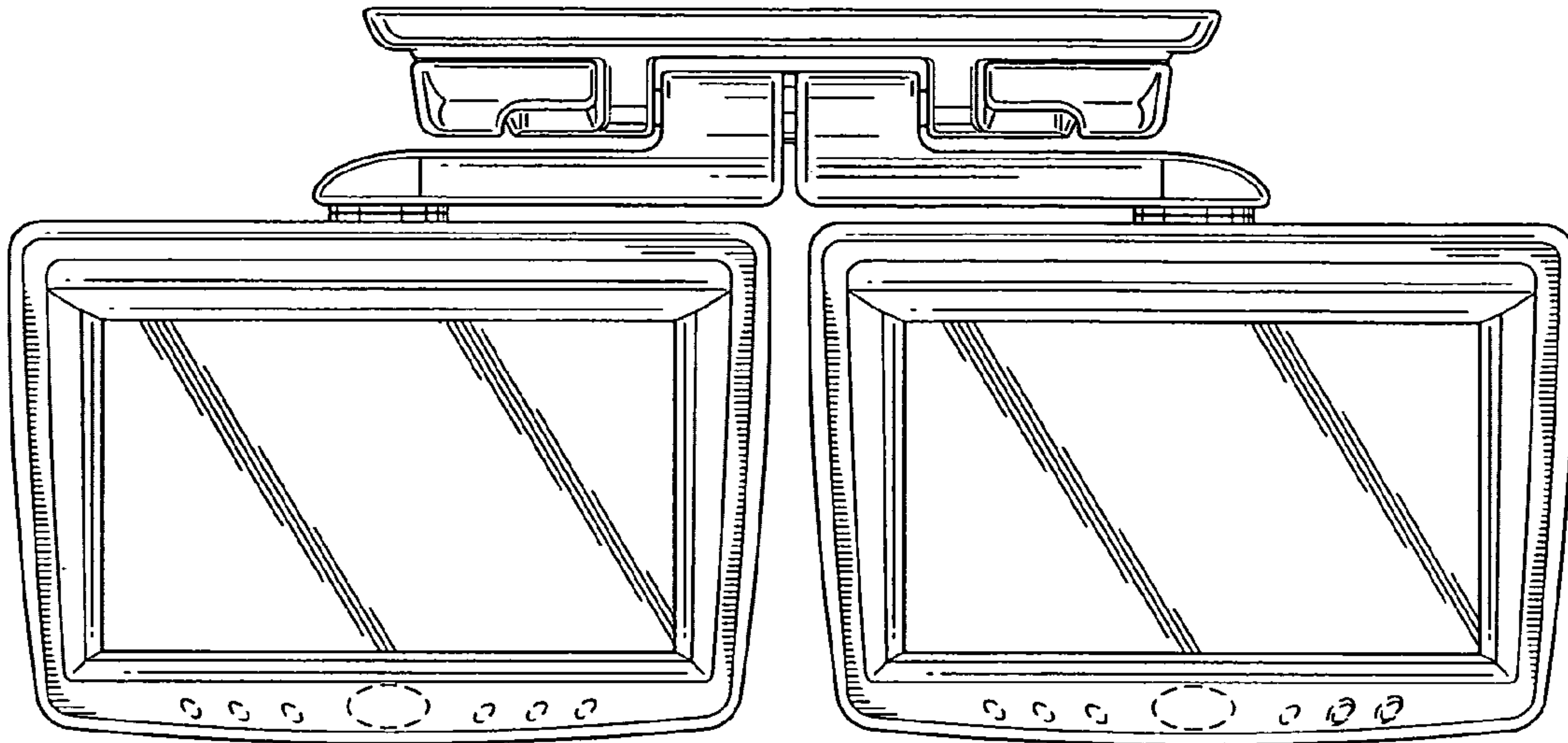


FIG. 7

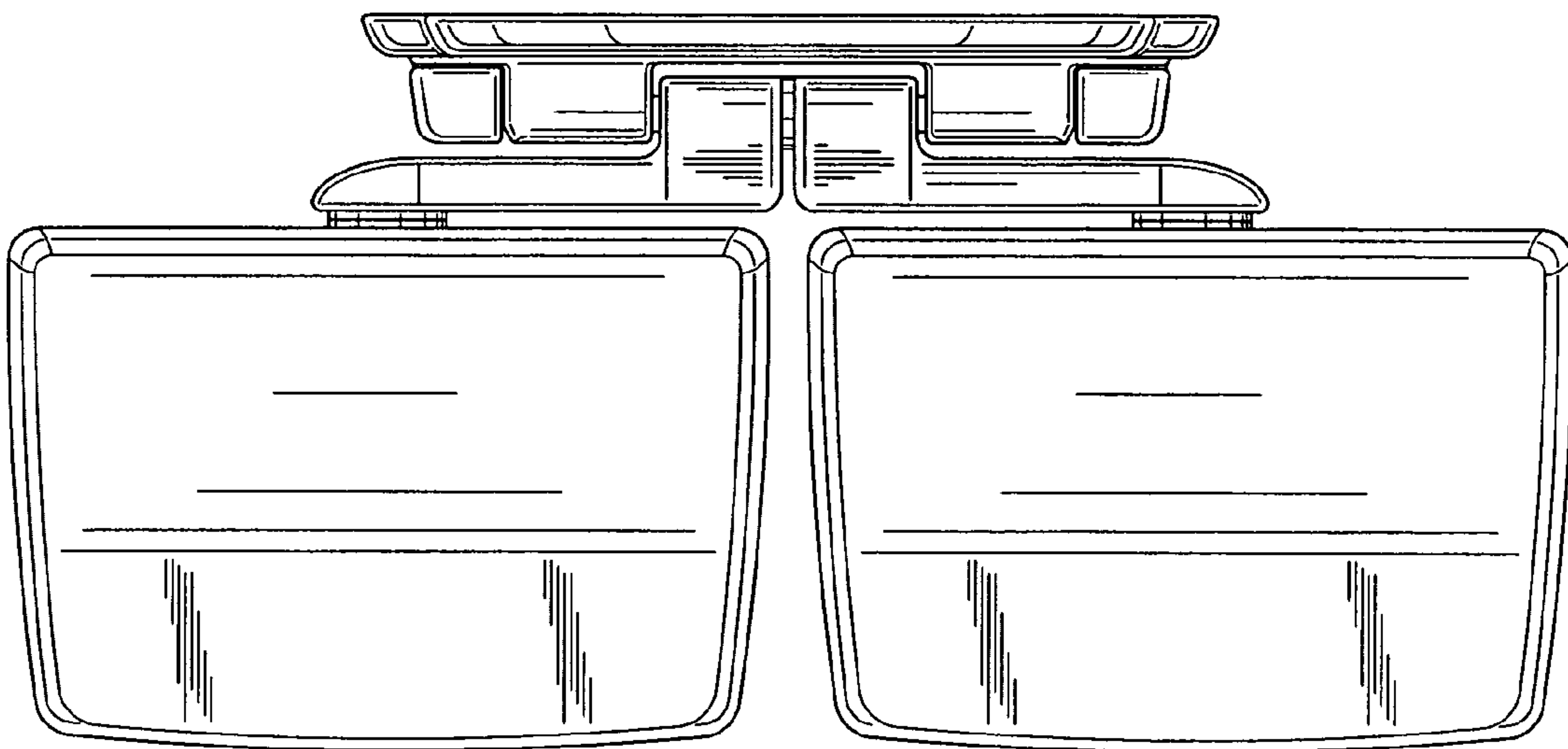


FIG. 8

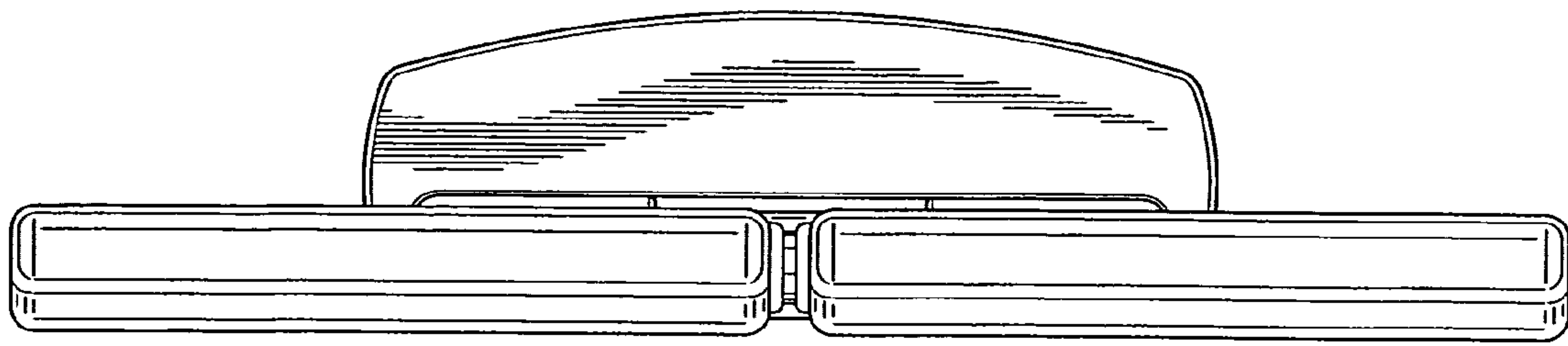


FIG. 9

FIG. 10

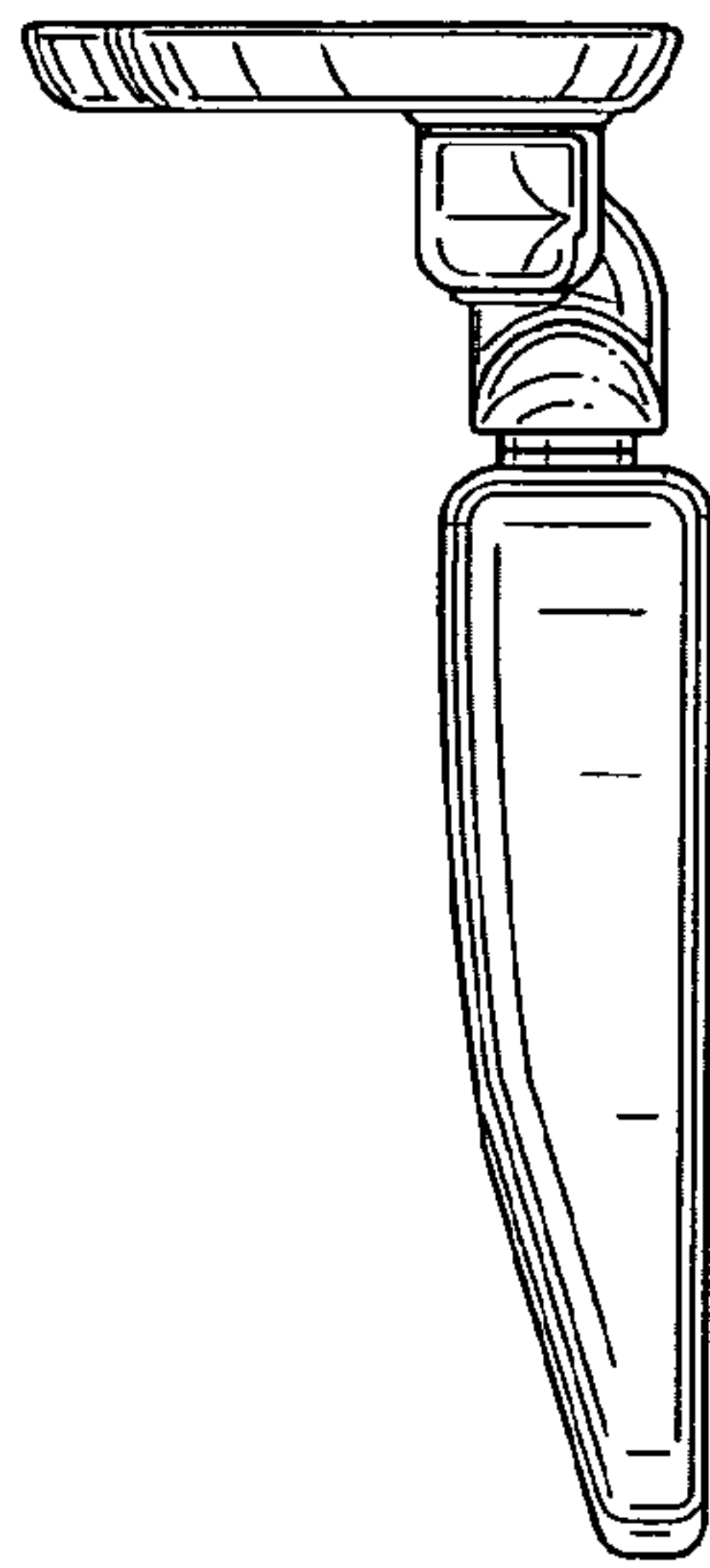


FIG. 11

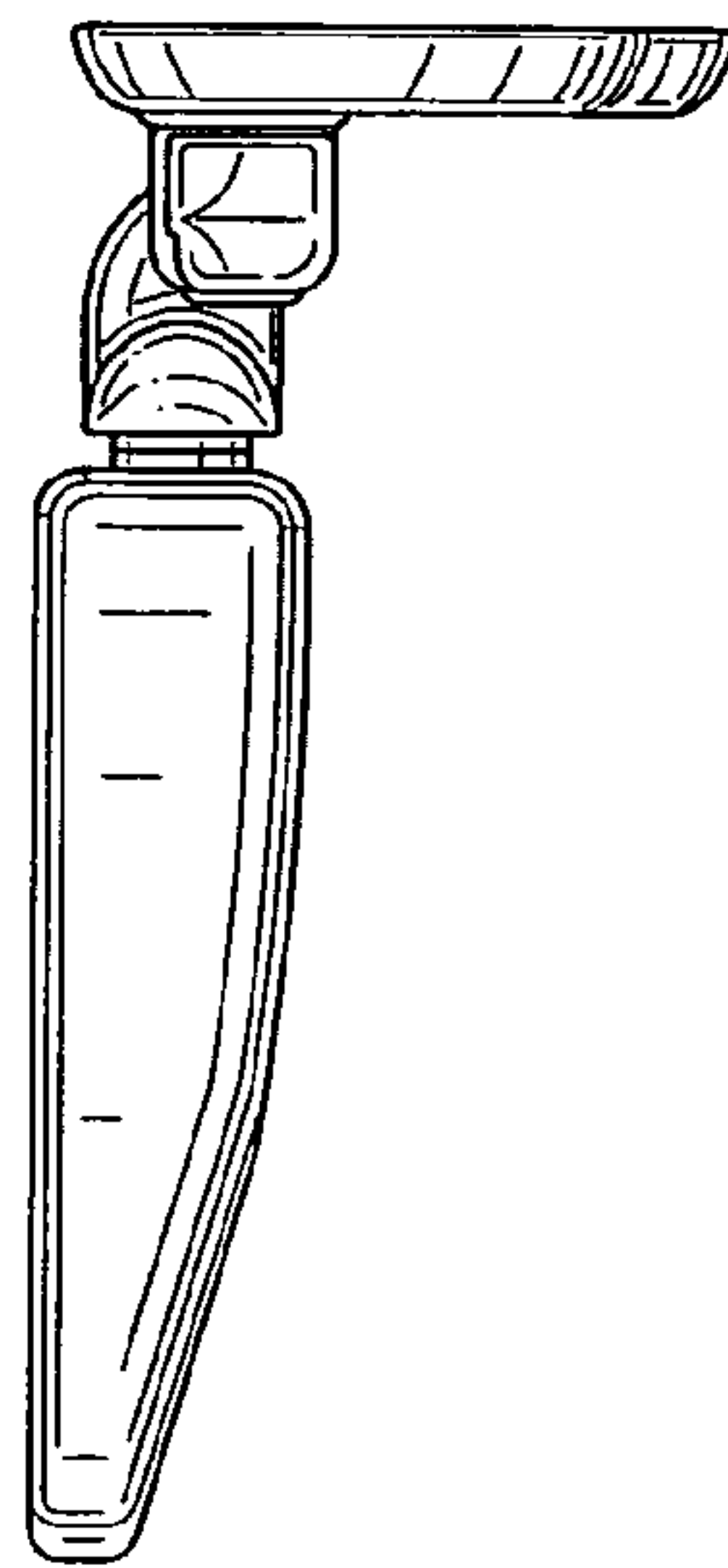


FIG. 12

