



US00D547740S

(12) **United States Design Patent** (10) **Patent No.:** **US D547,740 S**
Otani (45) **Date of Patent:** **** Jul. 31, 2007**

(54) **MONITOR TELEVISION RECEIVER**

(75) Inventor: **Yusuke Otani**, Tokyo (JP)

(73) Assignee: **Sony Corporation**, Tokyo (JP)

(**) Term: **14 Years**

(21) Appl. No.: **29/262,307**

(22) Filed: **Jun. 30, 2006**

(51) **LOC (8) Cl.** **14-03**

(52) **U.S. Cl.** **D14/126**

(58) **Field of Classification Search** D14/125-134,
D14/239, 371, 136, 374-377; 312/7.2; 348/836,
348/838, 180, 184, 325, 739; 341/12; 248/917-924,
248/465; 345/104, 133, 156, 168, 87, 173;
720/605, 669, 600, 655; 369/99, 197; 455/344-347
See application file for complete search history.

(56) **References Cited**

U.S. PATENT DOCUMENTS

D472,552 S *	4/2003	Borsboom et al.	D14/375
D484,860 S *	1/2004	Kubota	D14/239
D494,165 S *	8/2004	Yokota	D14/341
D495,702 S *	9/2004	Olson et al.	D14/371
D499,386 S *	12/2004	Yang	D14/126
D509,491 S *	9/2005	Chen	D14/132
D510,919 S *	10/2005	Kubota et al.	D14/126
D524,772 S *	7/2006	Reza	D14/126
D527,358 S *	8/2006	Voege	D14/126
D531,967 S *	11/2006	Chia	D14/126

D534,139 S *	12/2006	Yokota	D14/126
D534,508 S *	1/2007	Yamada	D14/126
2003/0137584 A1 *	7/2003	Norvell et al.	348/61

FOREIGN PATENT DOCUMENTS

JP D1243659 S 6/2005

* cited by examiner

Primary Examiner—Raphael Barkai

(74) *Attorney, Agent, or Firm*—Rader, Fishman & Grauer PLLC

(57) **CLAIM**

The ornamental design for a monitor television receiver, as shown.

DESCRIPTION

FIG. 1 is a perspective view of a monitor television receiver showing my new design;

FIG. 2 is a front elevational view thereof;

FIG. 3 is a rear elevational view thereof;

FIG. 4 is a left side elevational view thereof;

FIG. 5 is a right side elevational view thereof;

FIG. 6 is a top plan view thereof; and,

FIG. 7 is a bottom plan view thereof.

The broken lines shown in FIGS. 1-7 are for illustrative purposes only and form no part of the claimed design.

1 Claim, 7 Drawing Sheets

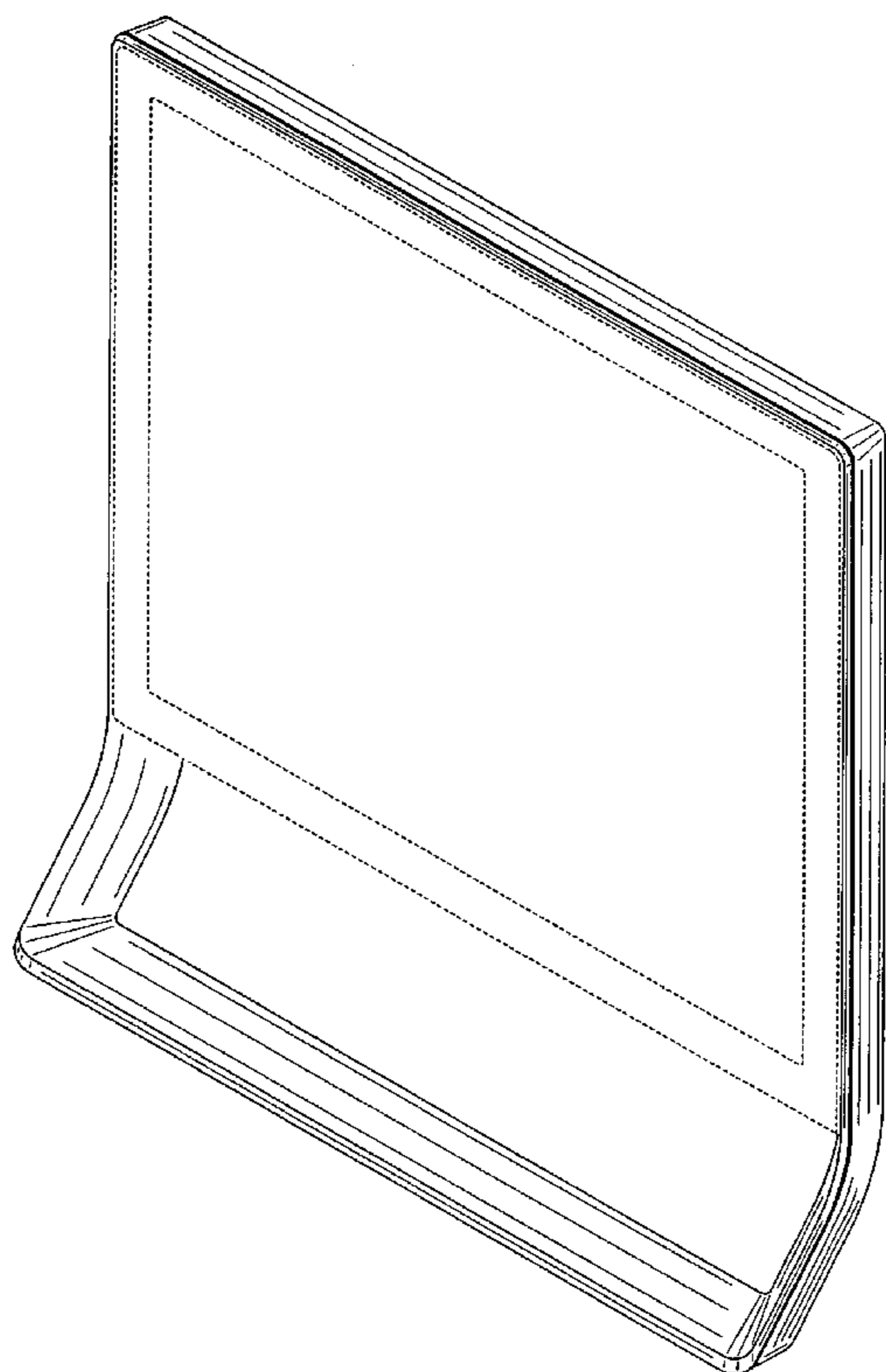


Fig.1

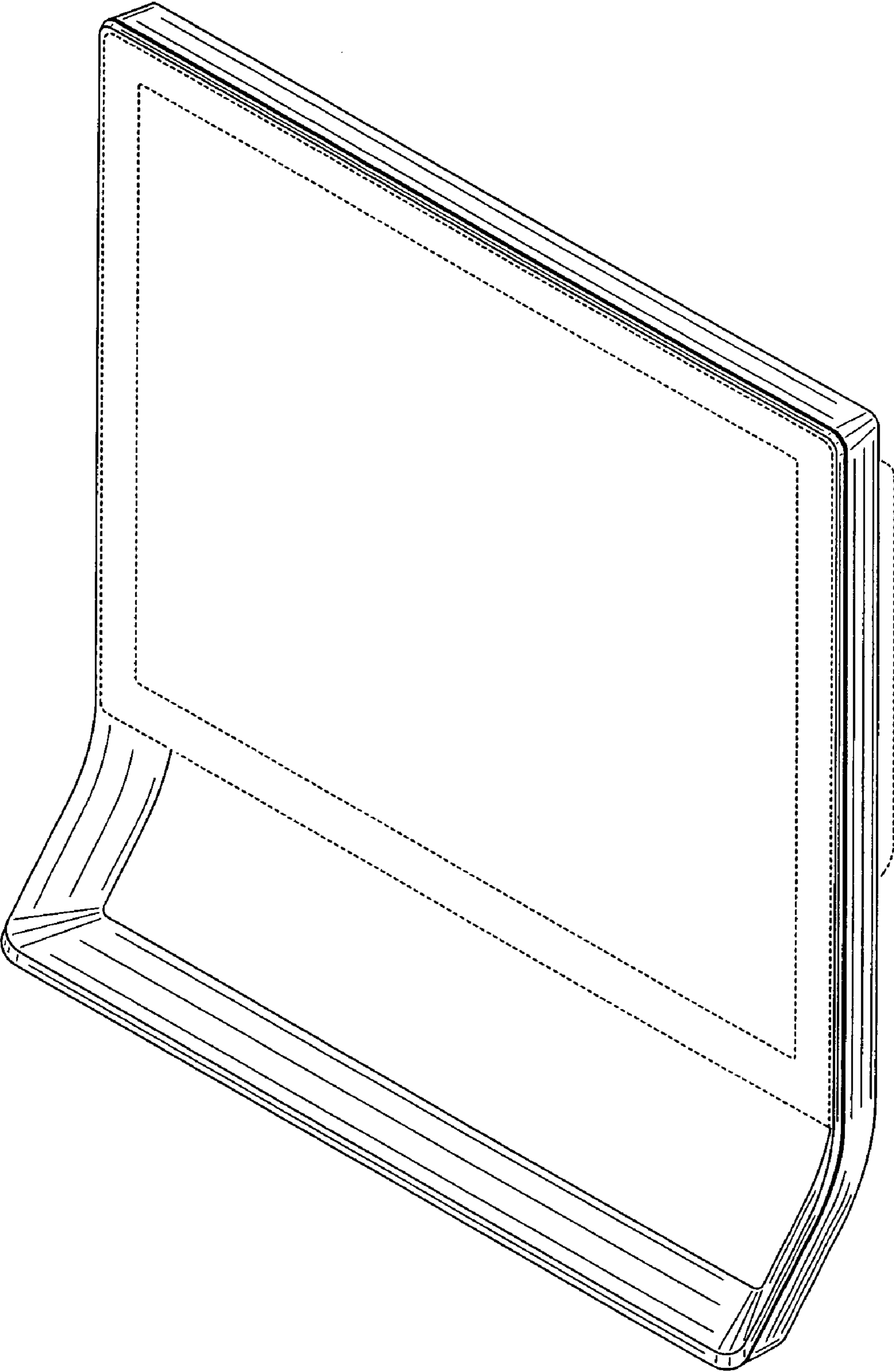


Fig.2

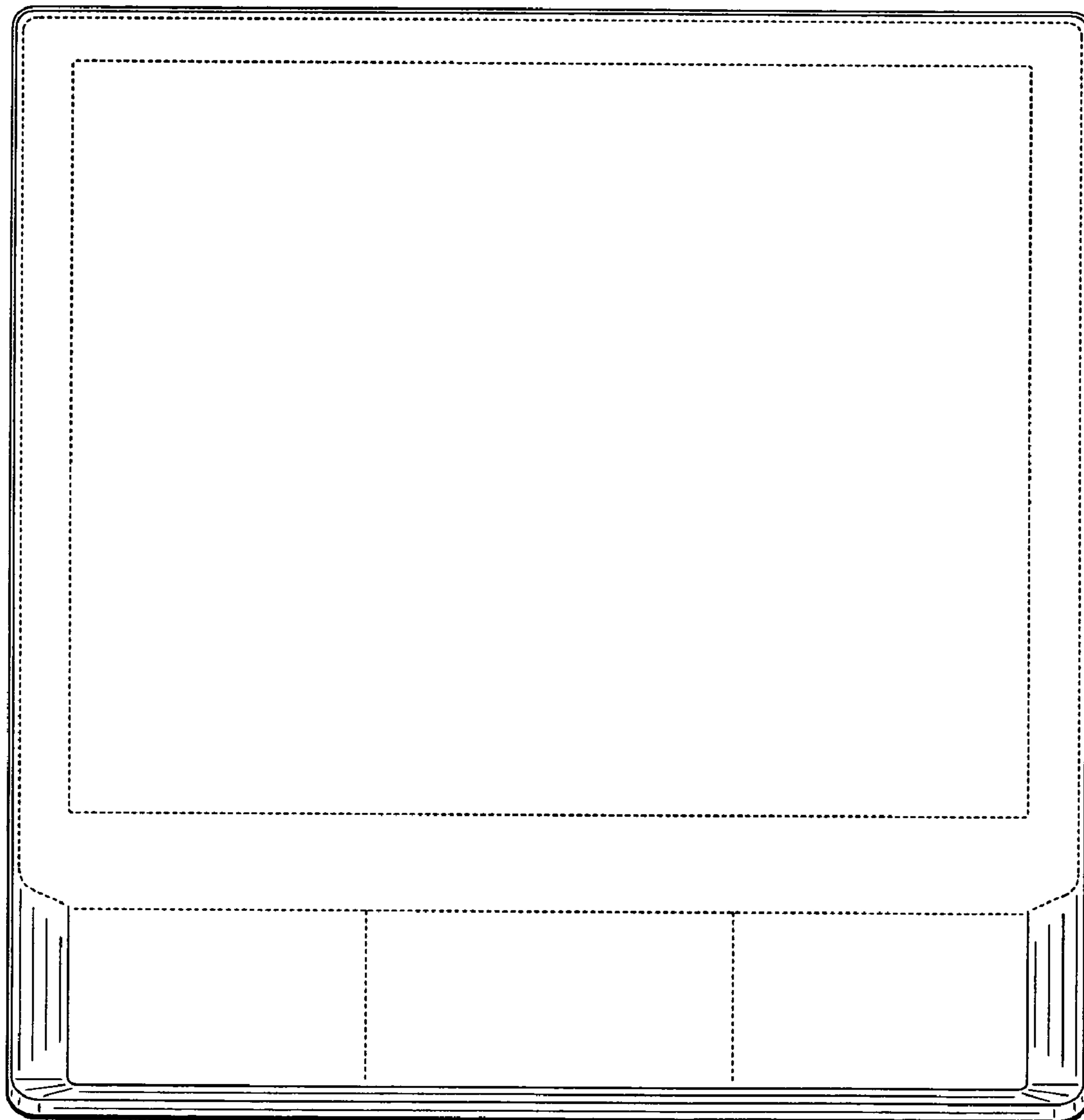


Fig.3

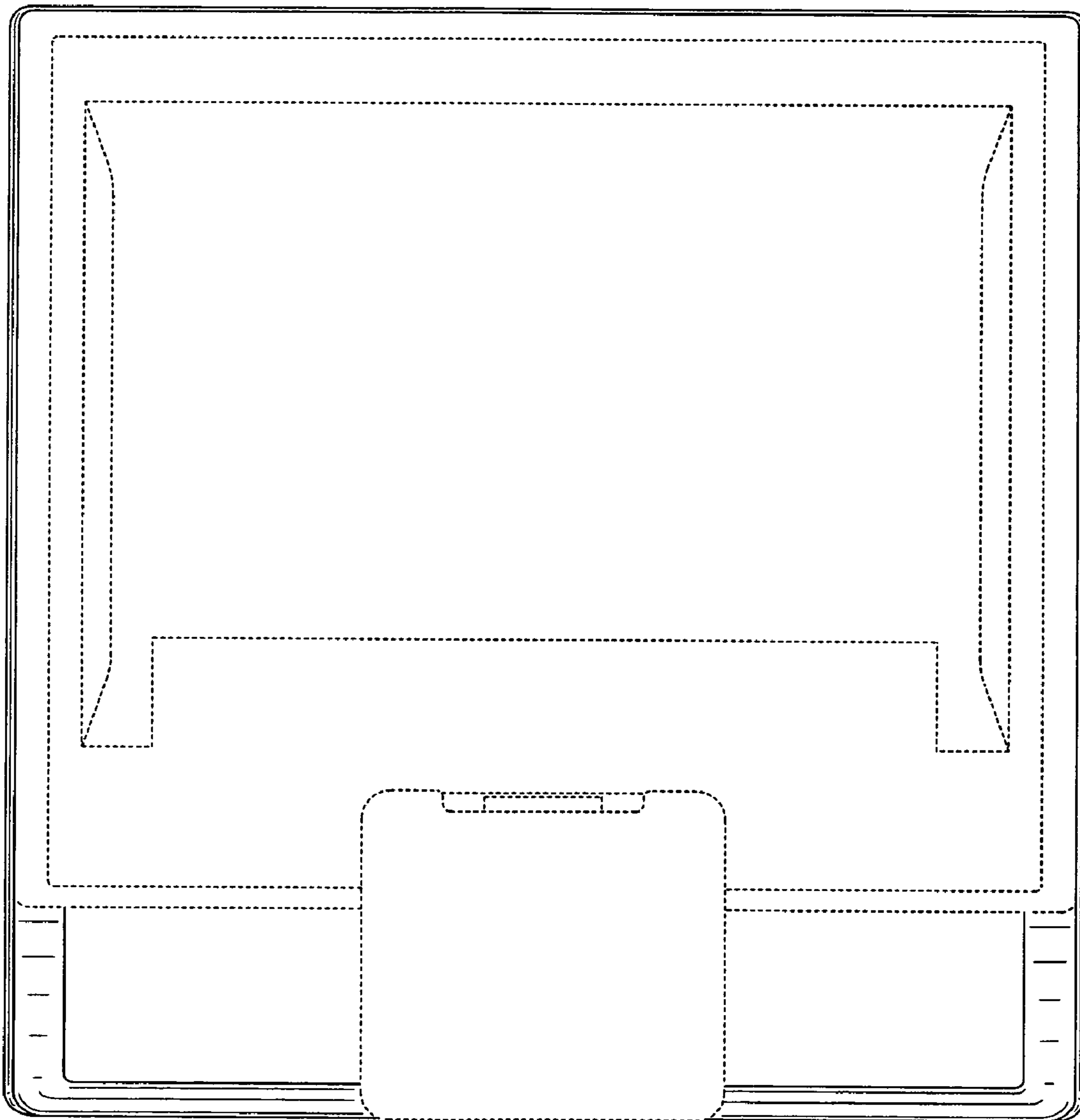


Fig.4

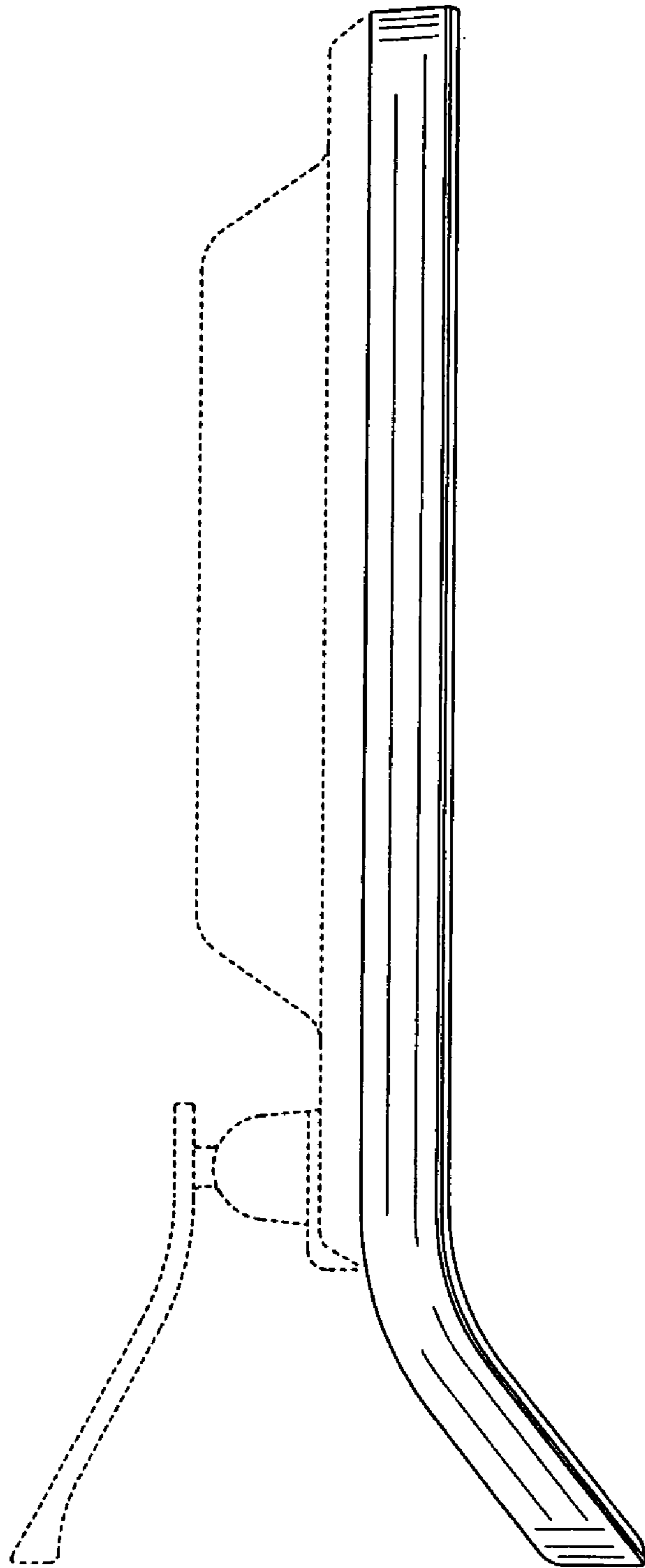


Fig.5

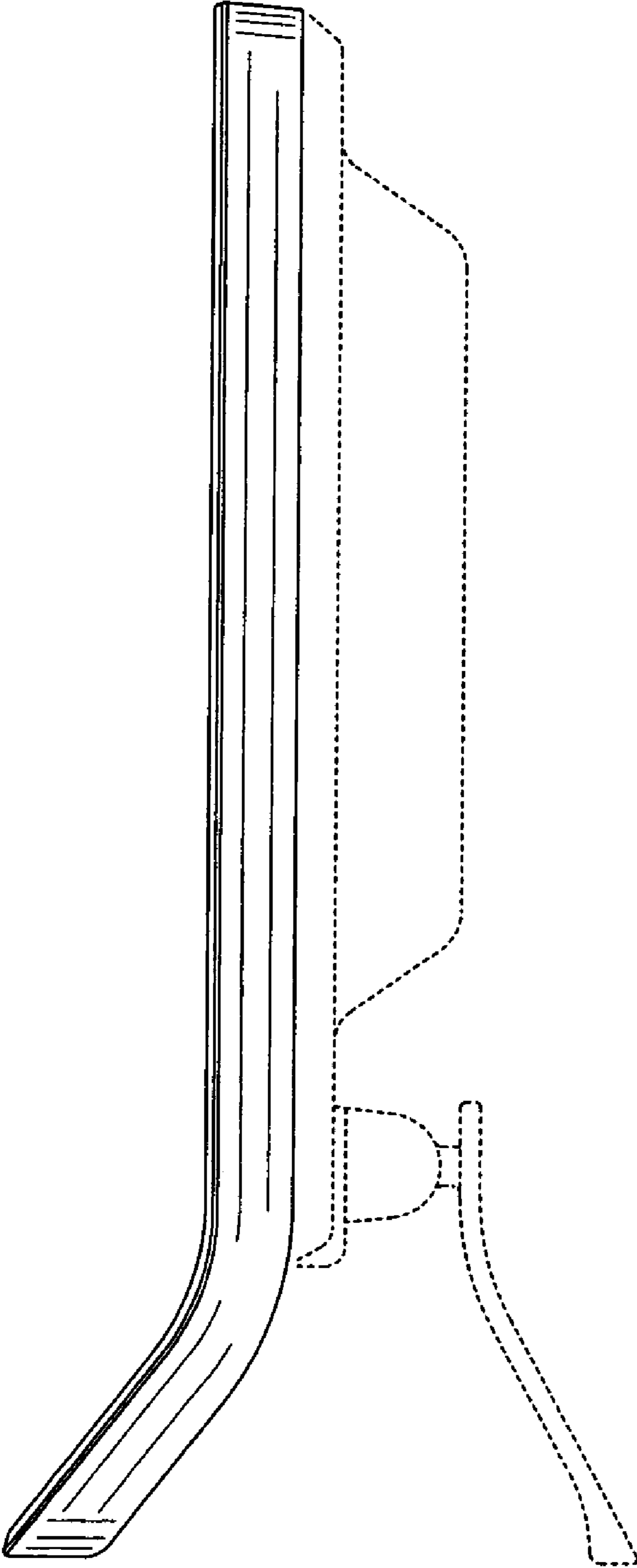


Fig.6

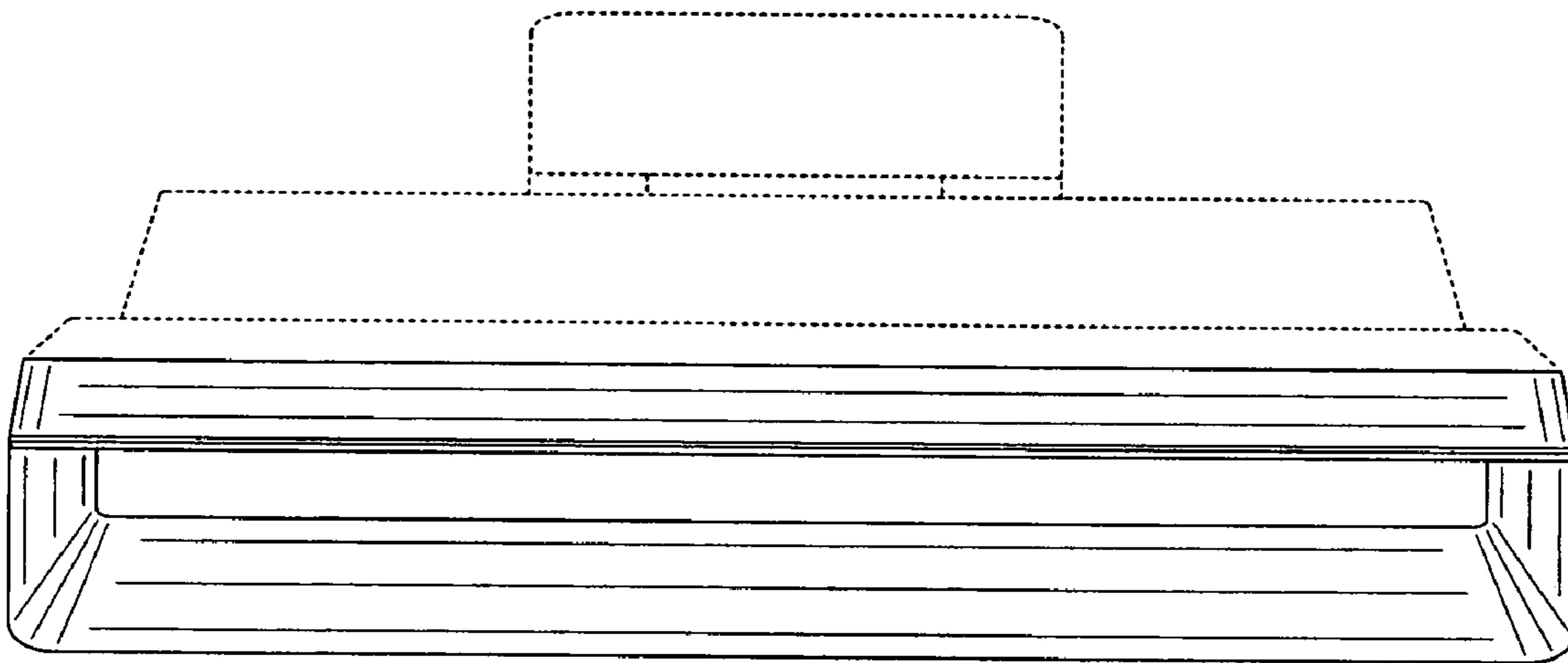


Fig.7

