

US00D547736S

(12) **United States Design Patent** (10) **Patent No.:** **US D547,736 S**  
**Kamada** (45) **Date of Patent:** **\*\* Jul. 31, 2007**

(54) **LIGHT EMITTING DIODE**

(75) Inventor: **Kazuhiro Kamada**, Tokushima-ken (JP)

(73) Assignee: **Nichia Corporation**, Anan (JP)

(\*\*) Term: **14 Years**

(21) Appl. No.: **29/267,973**

(22) Filed: **Oct. 26, 2006**

**Related U.S. Application Data**

(62) Division of application No. 29/254,314, filed on Feb. 23, 2006, now Pat. No. Des. 534,505, which is a division of application No. 29/236,523, filed on Aug. 18, 2005, now Pat. No. Des. 519,943, which is a division of application No. 29/218,477, filed on Dec. 3, 2004, now Pat. No. Des. 516,527, which is a division of application No. 29/186,594, filed on Jul. 21, 2003, now Pat. No. Des. 499,384, which is a division of application No. 29/163,058, filed on Jun. 27, 2002, now Pat. No. Des. 482,337.

**Foreign Application Priority Data**

(30) Foreign Application Priority Data  
Dec. 28, 2001 (JP) ..... 2001-038909  
Dec. 28, 2001 (JP) ..... 2001-038910  
Dec. 28, 2001 (JP) ..... 2001-038911  
Dec. 28, 2001 (JP) ..... 2001-038912  
Dec. 28, 2001 (JP) ..... 2001-038913  
Dec. 28, 2001 (JP) ..... 2001-038914  
Dec. 28, 2001 (JP) ..... 2001-038915  
Dec. 28, 2001 (JP) ..... 2001-038916  
Dec. 28, 2001 (JP) ..... 2001-038917  
Dec. 28, 2001 (JP) ..... 2001-038918

(51) **LOC (8) Cl.** ..... **13-03**

(52) **U.S. Cl.** ..... **D13/180**

(58) **Field of Classification Search** ..... D13/180, D13/182; D10/104, 114; 257/76, 79, 88, 257/89, 93, 99, 434, 676, 678, 687, 690, 257/698; 313/498, 499; 372/45; 361/760, 361/820; 362/226, 241, 249, 250, 307, 555  
See application file for complete search history.

(56) **References Cited**

**U.S. PATENT DOCUMENTS**

3,783,353 A 1/1974 Pankove

(Continued)

**FOREIGN PATENT DOCUMENTS**

JP D1095890 S 1/2001

(Continued)

**OTHER PUBLICATIONS**

Surface Mount Type LED-Light Emitting Diode-, Product Guide, May 2001, 6 pages, Cat. No. 01055K, Nichia Corporation, Japan.

*Primary Examiner*—Selina Sikder

(74) *Attorney, Agent, or Firm*—Smith Patent Office

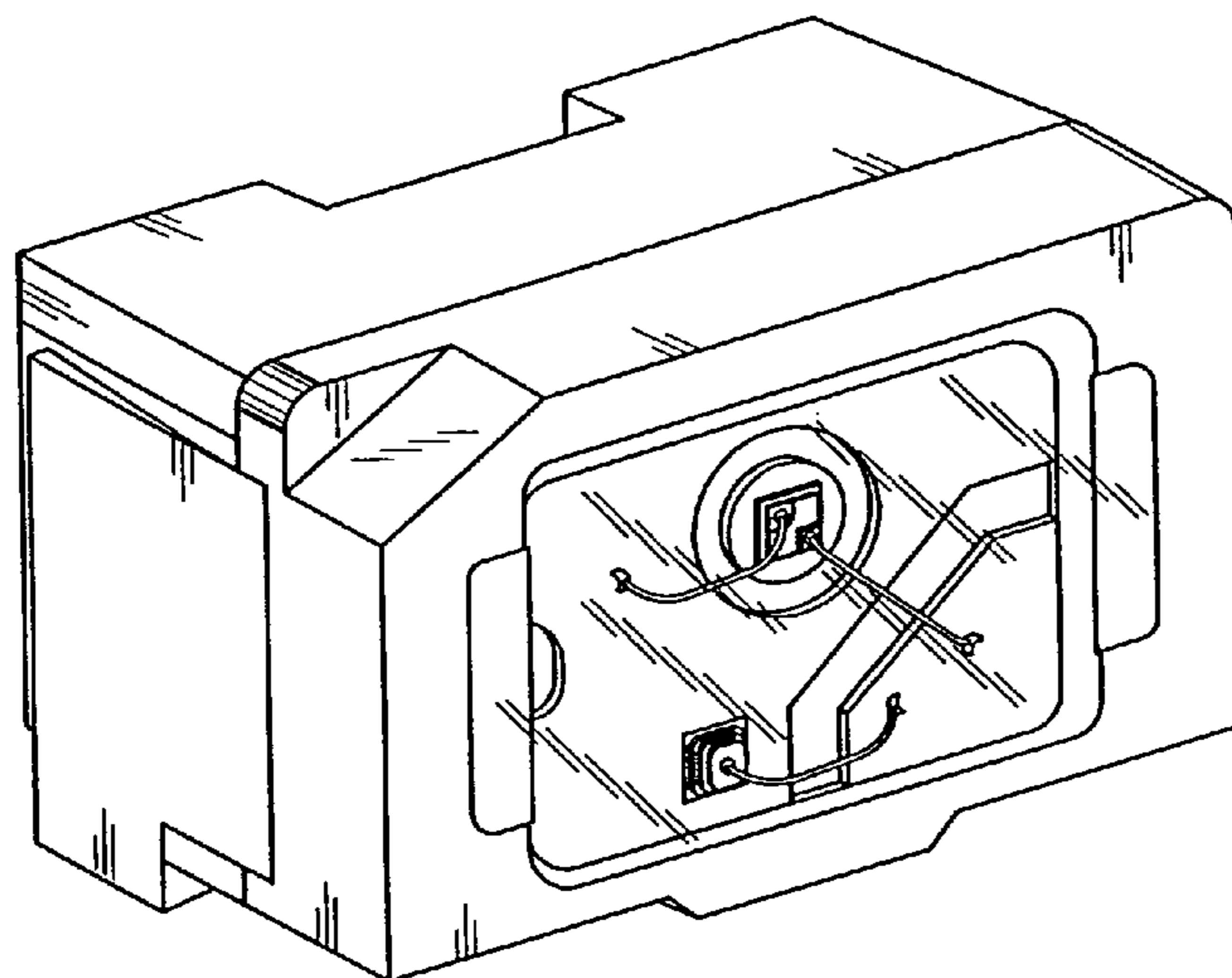
(57) **CLAIM**

I claim the ornamental design for the light emitting diode, as shown and described.

**DESCRIPTION**

FIG. 1 is a perspective view of a light emitting diode showing my new design;  
FIG. 2 is a top plan view thereof;  
FIG. 3 is a left side elevation view thereof;  
FIG. 4 is a front elevation view thereof;  
FIG. 5 is a right side elevation view thereof;  
FIG. 6 is a bottom plan view thereof; and,  
FIG. 7 is a rear elevation view thereof.

**1 Claim, 2 Drawing Sheets**



# US D547,736 S

Page 2

---

## U.S. PATENT DOCUMENTS

4,127,792 A 11/1978 Nakata  
5,226,053 A 7/1993 Cho et al.  
5,534,718 A 7/1996 Chang  
RE36,614 E 3/2000 Lombard et al.  
D432,095 S 10/2000 Seeger et al.  
6,174,070 B1 1/2001 Takamura et al.  
D437,798 S 2/2001 Kiba et al.  
D439,351 S 3/2001 Kiba et al.  
D453,745 S 2/2002 Suenaga  
6,386,733 B1 5/2002 Ohkohdo et al.  
6,450,663 B1 9/2002 Reinbach  
D477,579 S 7/2003 Suenaga  
6,610,563 B1 8/2003 Waitl et al.  
D482,337 S 11/2003 Kamada

D490,782 S 6/2004 Suenaga  
6,747,293 B2 6/2004 Nitta et al.  
D499,384 S 12/2004 Kamada  
D511,147 S 11/2005 Suenaga  
D516,527 S 3/2006 Kamada  
D519,943 S 5/2006 Kamada  
D534,505 S \* 1/2007 Kamada ..... D13/180

## FOREIGN PATENT DOCUMENTS

JP D1095891 S 1/2001  
JP D1106536 S 4/2001  
JP D1106839 S 4/2001  
JP D1106840 S 4/2001

\* cited by examiner

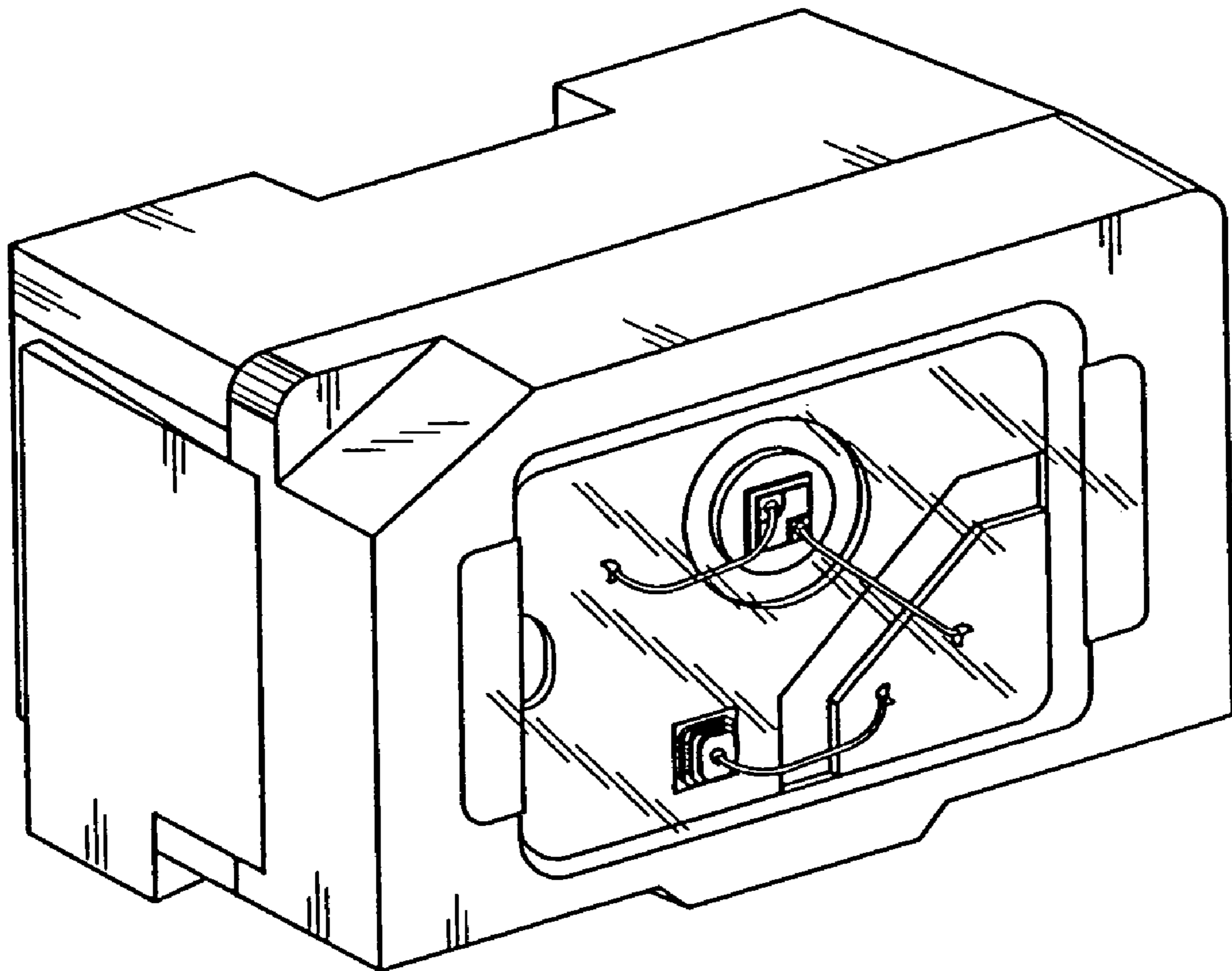


FIG. 1

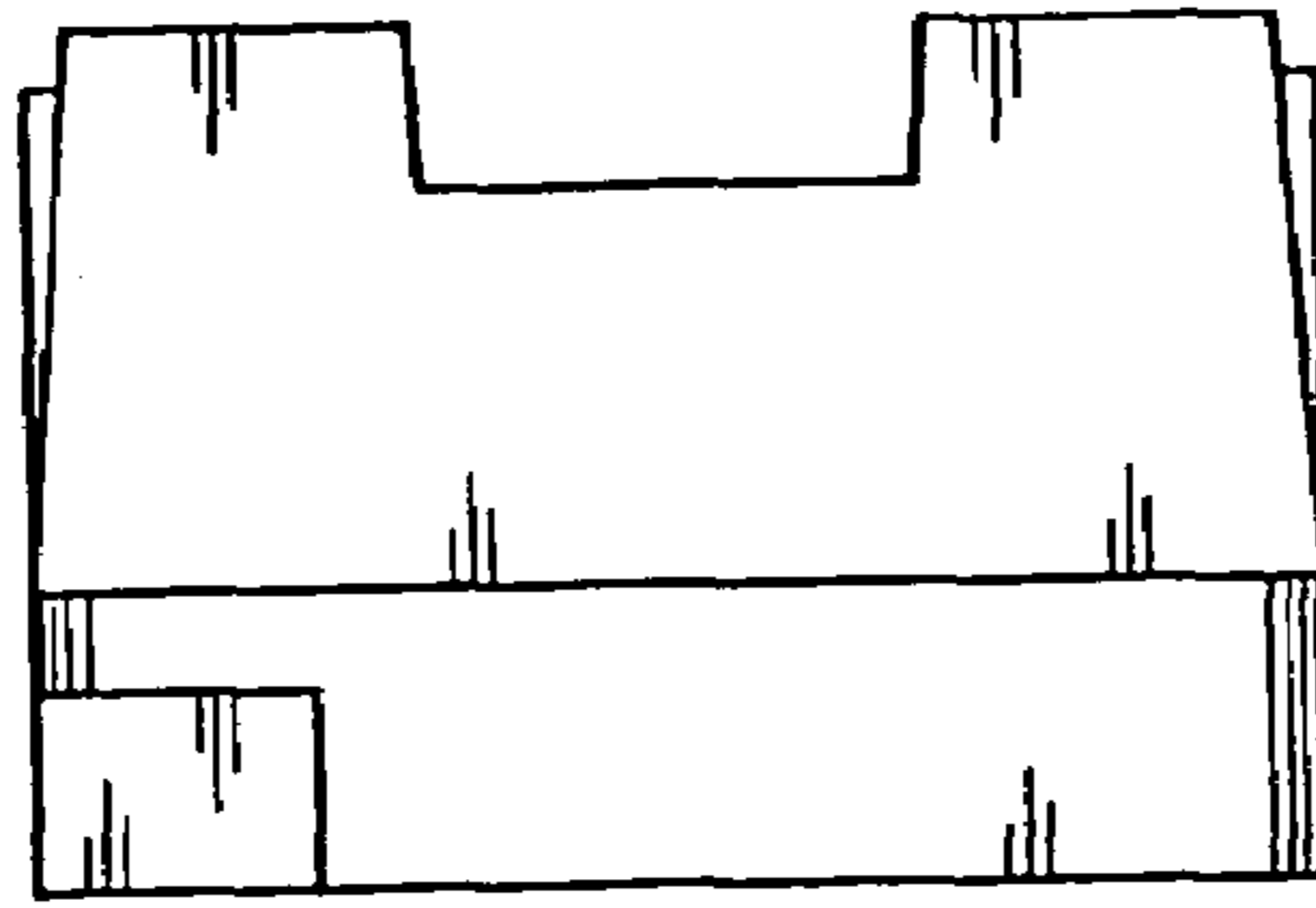


FIG. 2

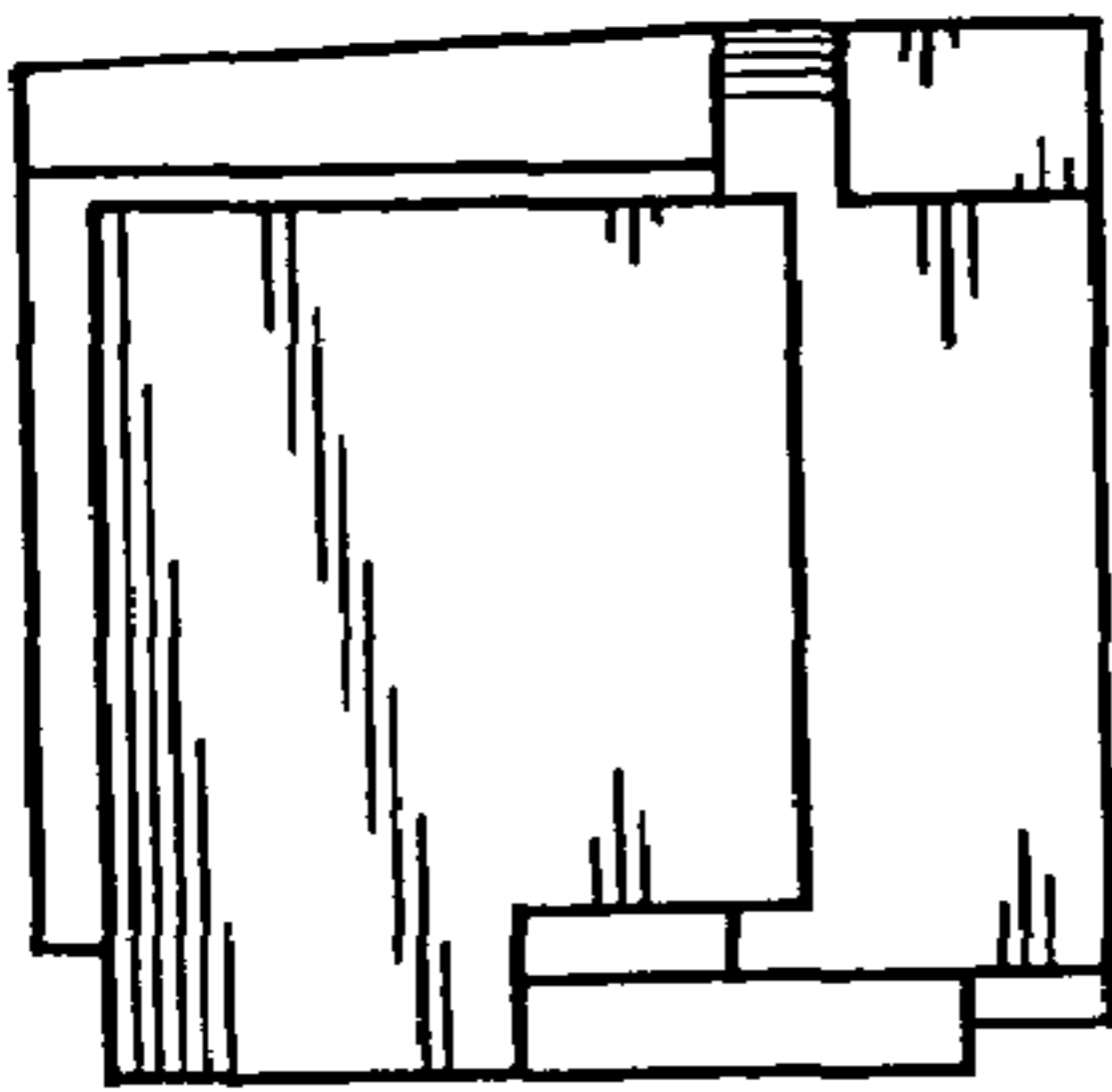


FIG. 3

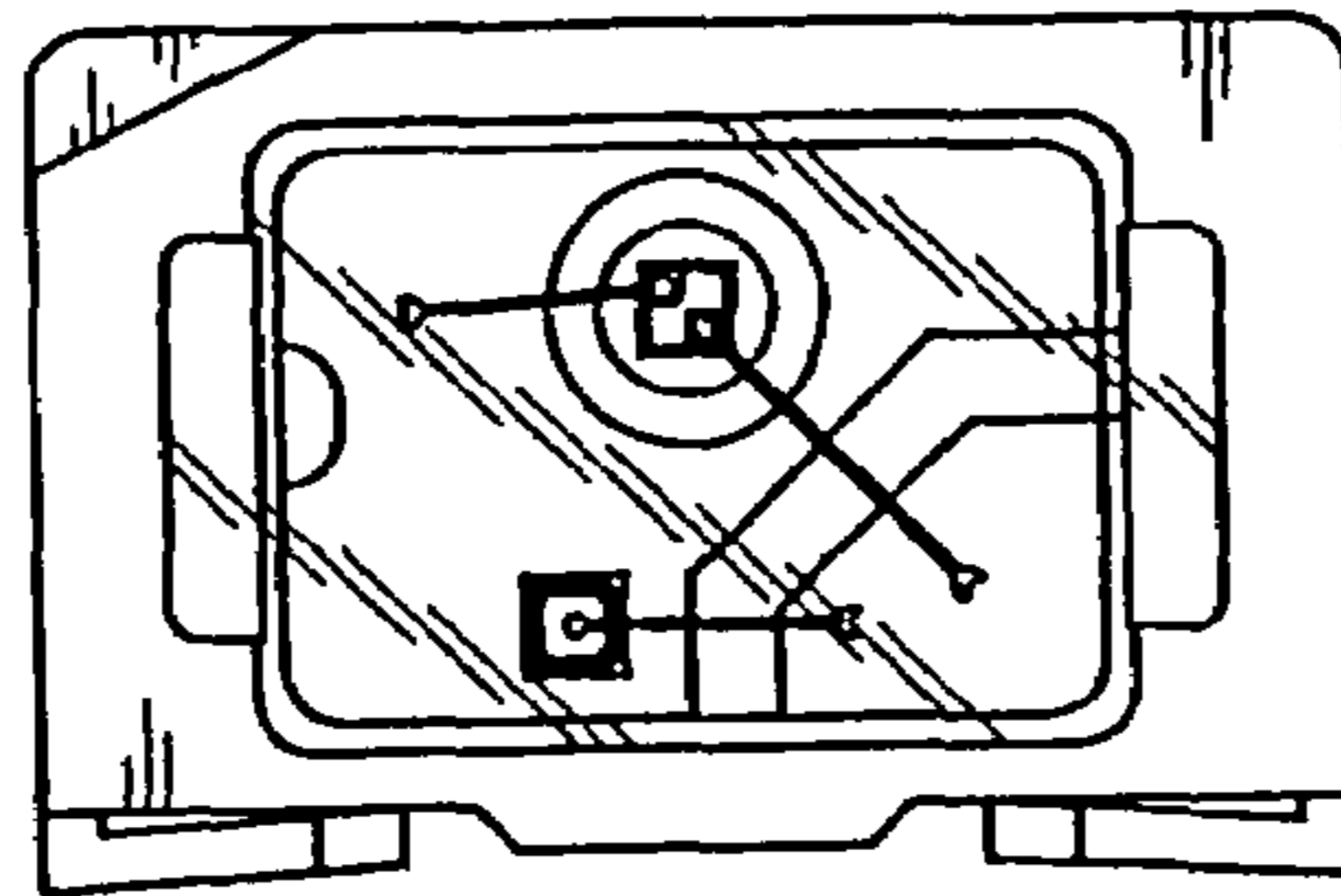


FIG. 4

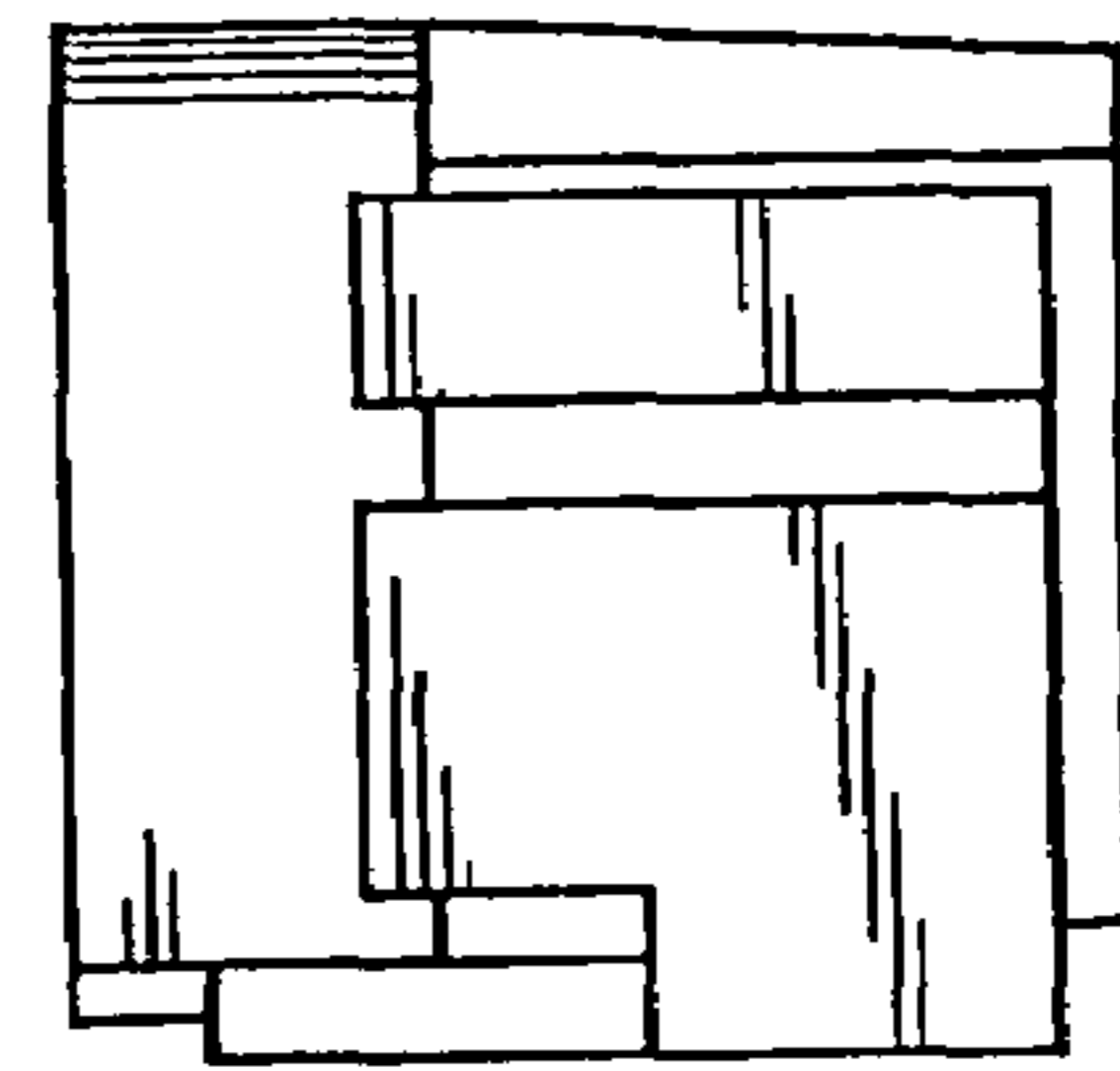


FIG. 5

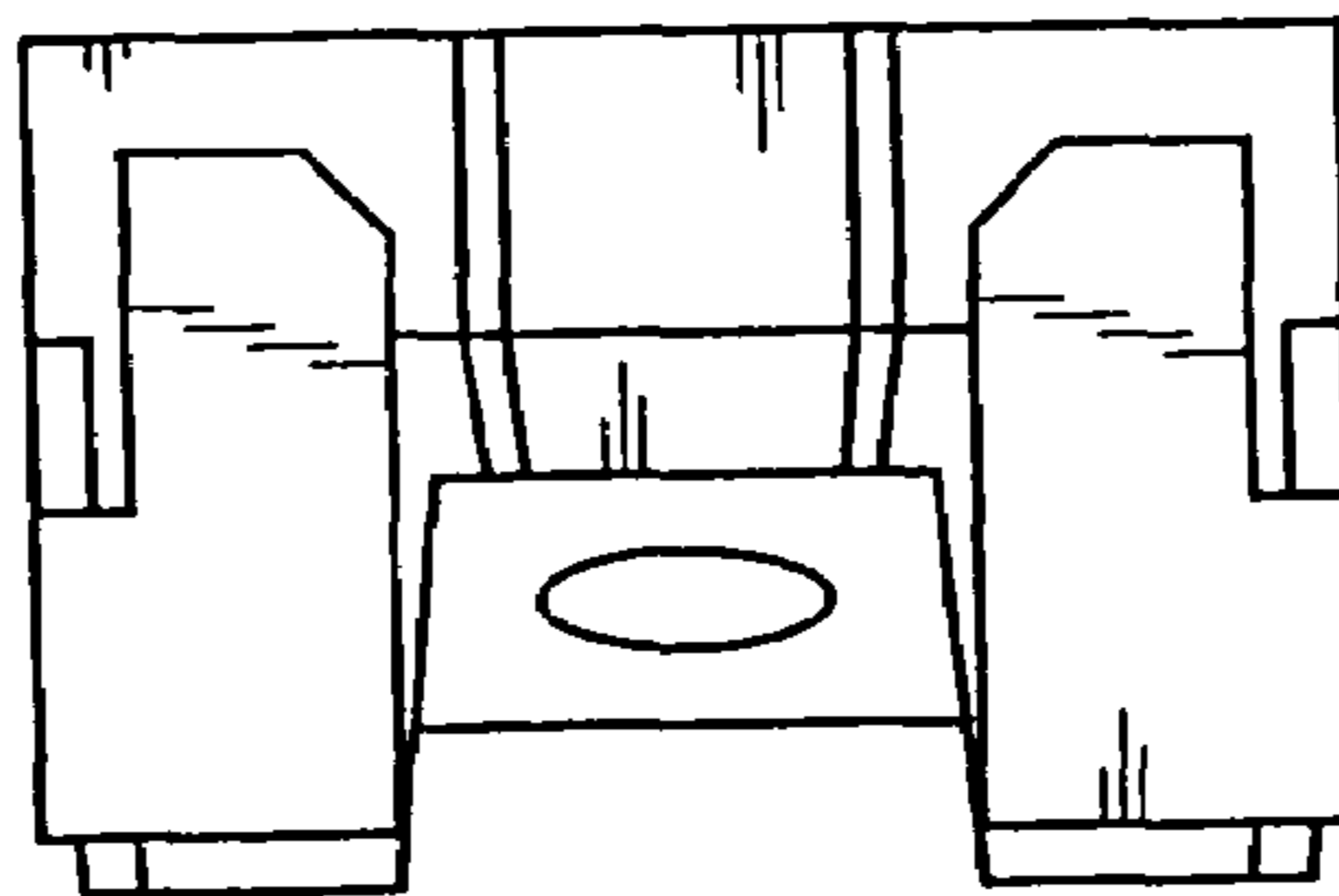


FIG. 6

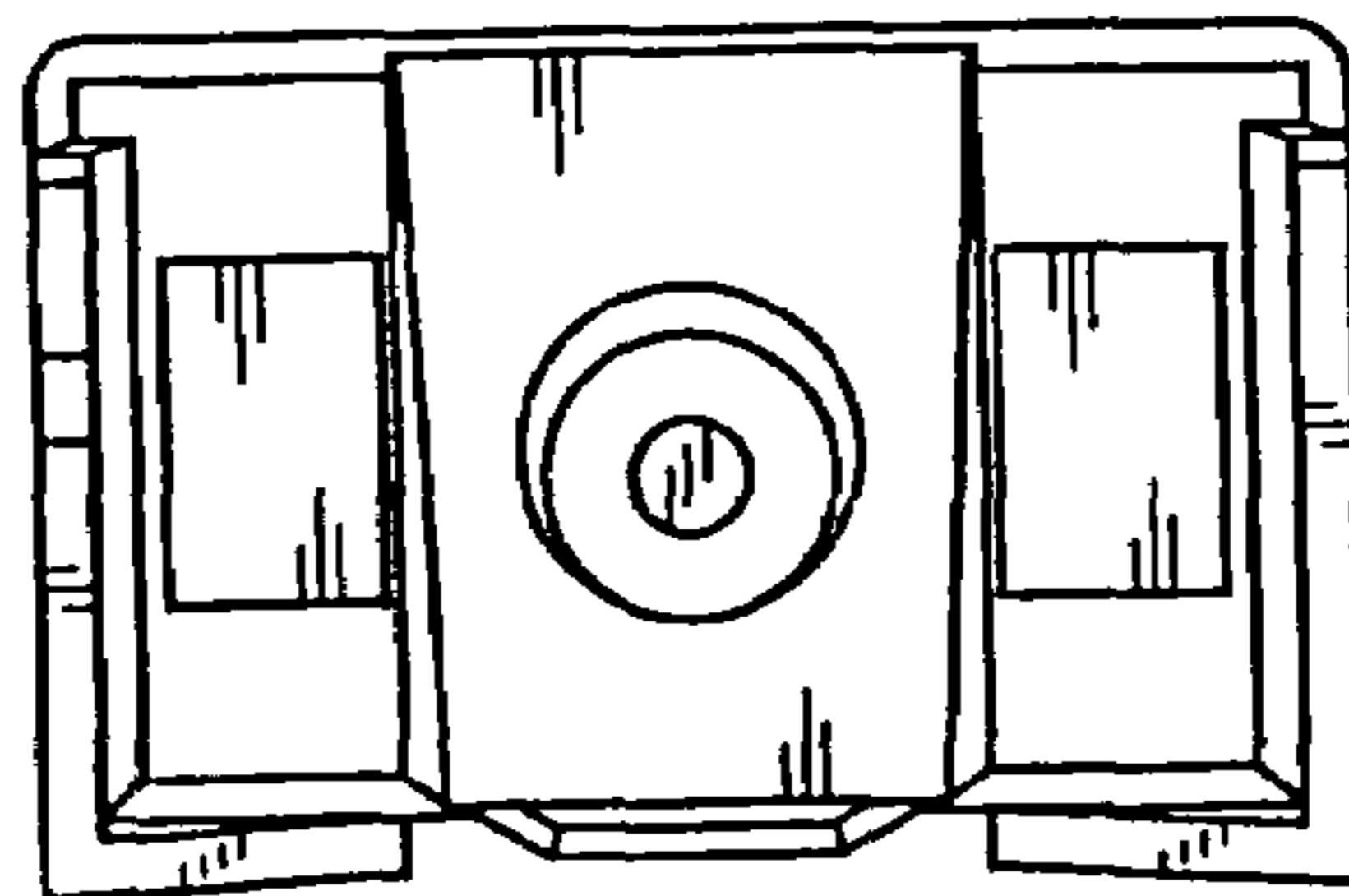


FIG. 7