

US00D547735S

(12) **United States Design Patent** (10) **Patent No.:** **US D547,735 S**  
**Altonen et al.** (45) **Date of Patent:** **\*\* Jul. 31, 2007**

(54) **DIMMER SWITCH**

(75) Inventors: **Gregory Altonen**, Easton, PA (US);  
**Noel Mayo**, Philadelphia, PA (US); **Joel S. Spira**, Coopersburg, PA (US)

(73) Assignee: **Lutron Electronics Co., Inc.**,  
Coopersburg, PA (US)

(\*\*) Term: **14 Years**

(21) Appl. No.: **29/267,348**

(22) Filed: **Oct. 11, 2006**

**Related U.S. Application Data**

(62) Division of application No. 29/256,270, filed on Mar. 17, 2006.

(51) **LOC (8) Cl.** ..... **13-03**

(52) **U.S. Cl.** ..... **D13/170; D13/174**

(58) **Field of Classification Search** ..... D13/162,  
D13/164, 169, 170, 171, 174; D10/108,  
D10/116, 118; D8/353; 200/5 A, 293, 296,  
200/297, 329, 333, 335, 339, 341, 520, 530,  
200/537, 552; 220/241; 307/125, 139; 315/291-296  
See application file for complete search history.

(56) **References Cited**

**U.S. PATENT DOCUMENTS**

- D241,853 S 10/1976 Spira et al.
- D337,755 S 7/1993 Rowen et al.
- D342,234 S 12/1993 Graybill et al.
- 5,637,930 A 6/1997 Rowen et al.
- 5,669,484 A 9/1997 Paulson
- D384,646 S 10/1997 Miller et al.
- D471,879 S 3/2003 Mayo et al.

- D477,574 S 7/2003 Mayo et al.
- D479,207 S 9/2003 Mayo et al.
- D481,365 S 10/2003 Mayo et al.
- D482,007 S 11/2003 Mayo et al.
- 6,774,328 B2 8/2004 Adams et al.
- D526,969 S \* 8/2006 Spira ..... D13/171
- D534,872 S \* 1/2007 Spira ..... D13/162
- 2003/0089587 A1 5/2003 Mayo et al.

**OTHER PUBLICATIONS**

Lutron Electronics, Switching Systems Technical Guide, Aug. 2004, pp. front cover, 51, rear cover.

\* cited by examiner

*Primary Examiner*—Selina Sikder

(74) *Attorney, Agent, or Firm*—Mark E. Rose

(57) **CLAIM**

We claim the ornamental design for a dimmer switch, as shown and described.

**DESCRIPTION**

FIG. 1 is a perspective view of a dimmer switch according to our new design.

FIG. 2 is a front view thereof.

FIG. 3 is a left side view thereof.

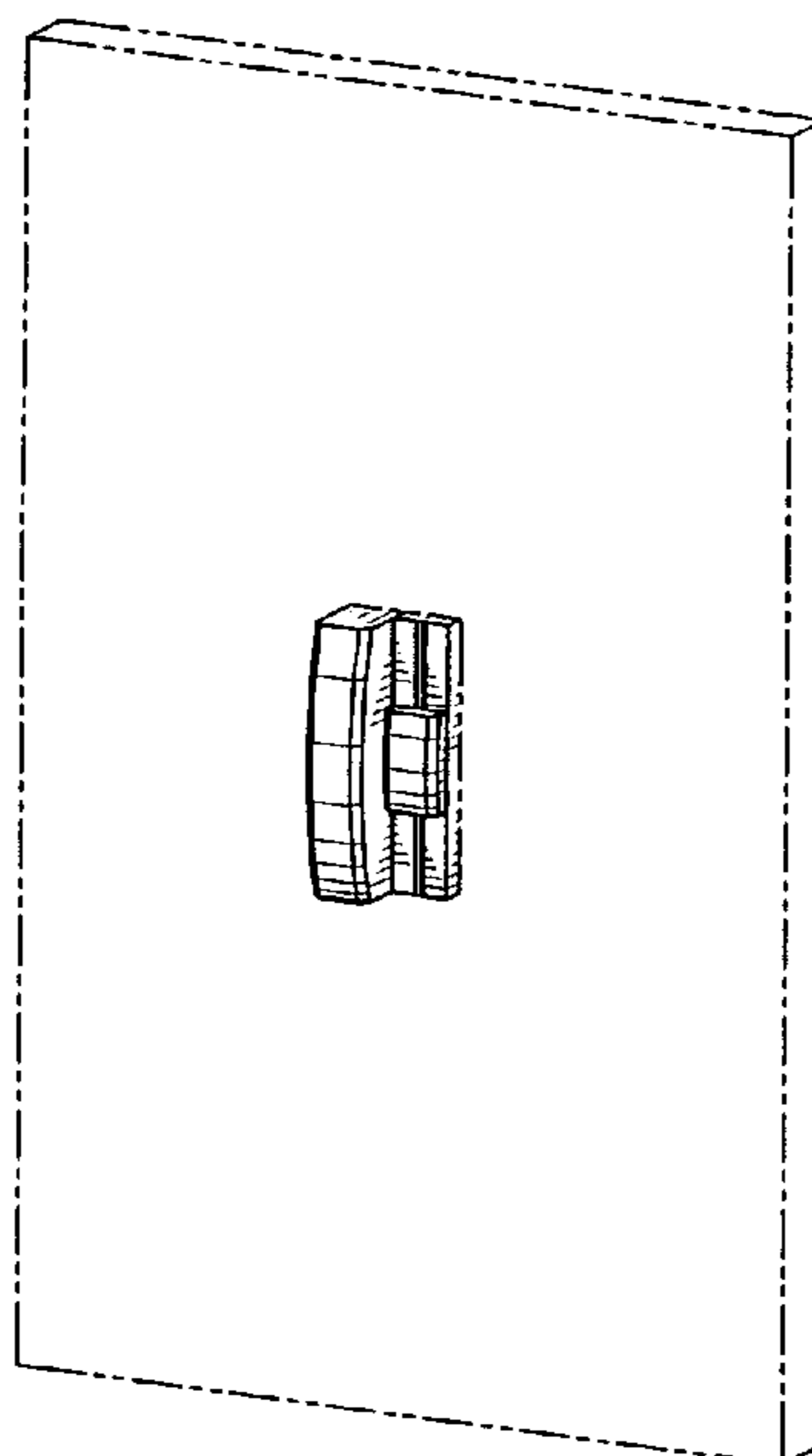
FIG. 4 is a right side view thereof.

FIG. 5 is a top view thereof; and,

FIG. 6 is a bottom view thereof.

The rear view forms no part of the design and is omitted. The portions of the drawings appearing in broken line are for environment only and do not form a part of the design.

**1 Claim, 4 Drawing Sheets**



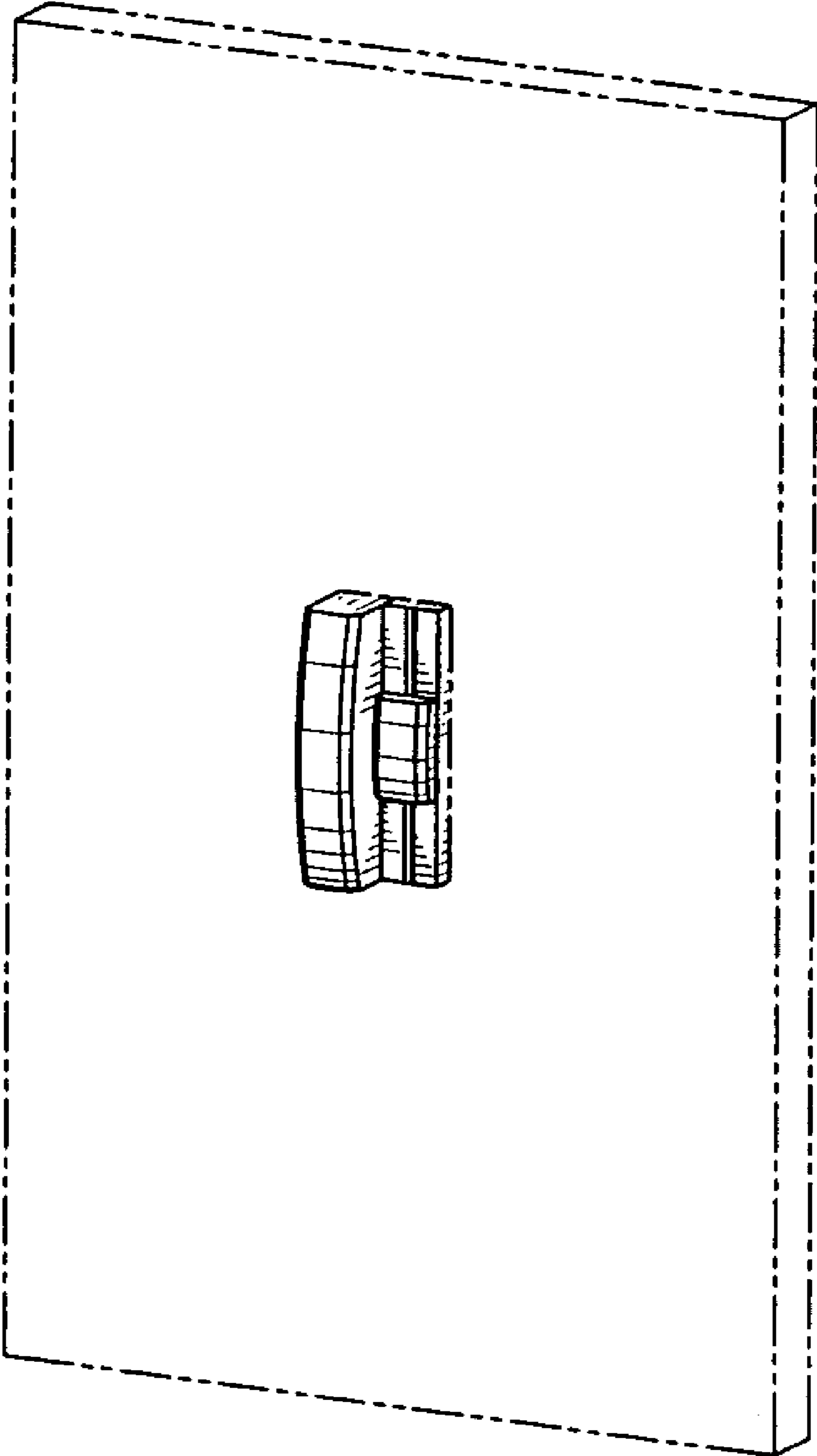


Fig. 1

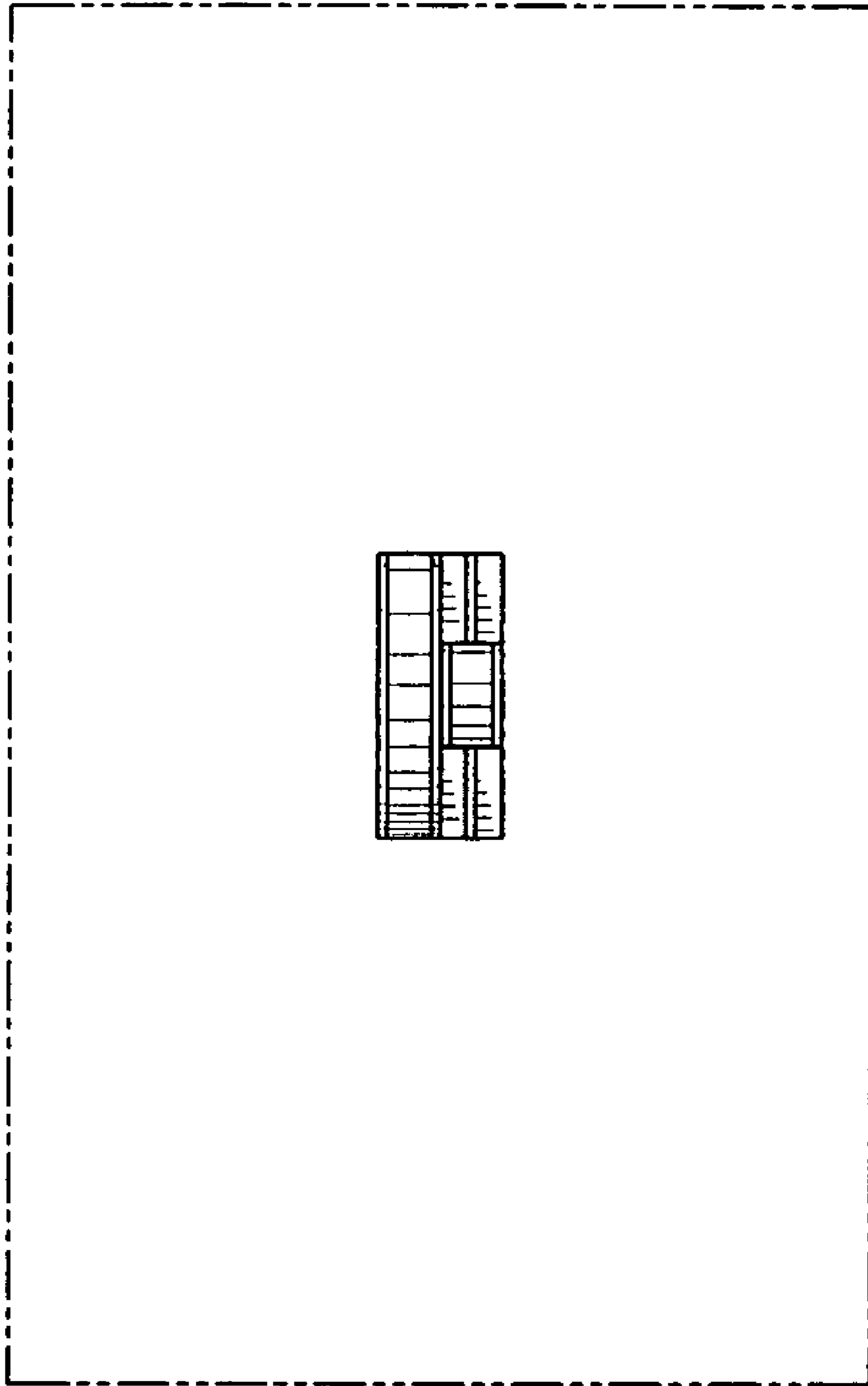


Fig. 2

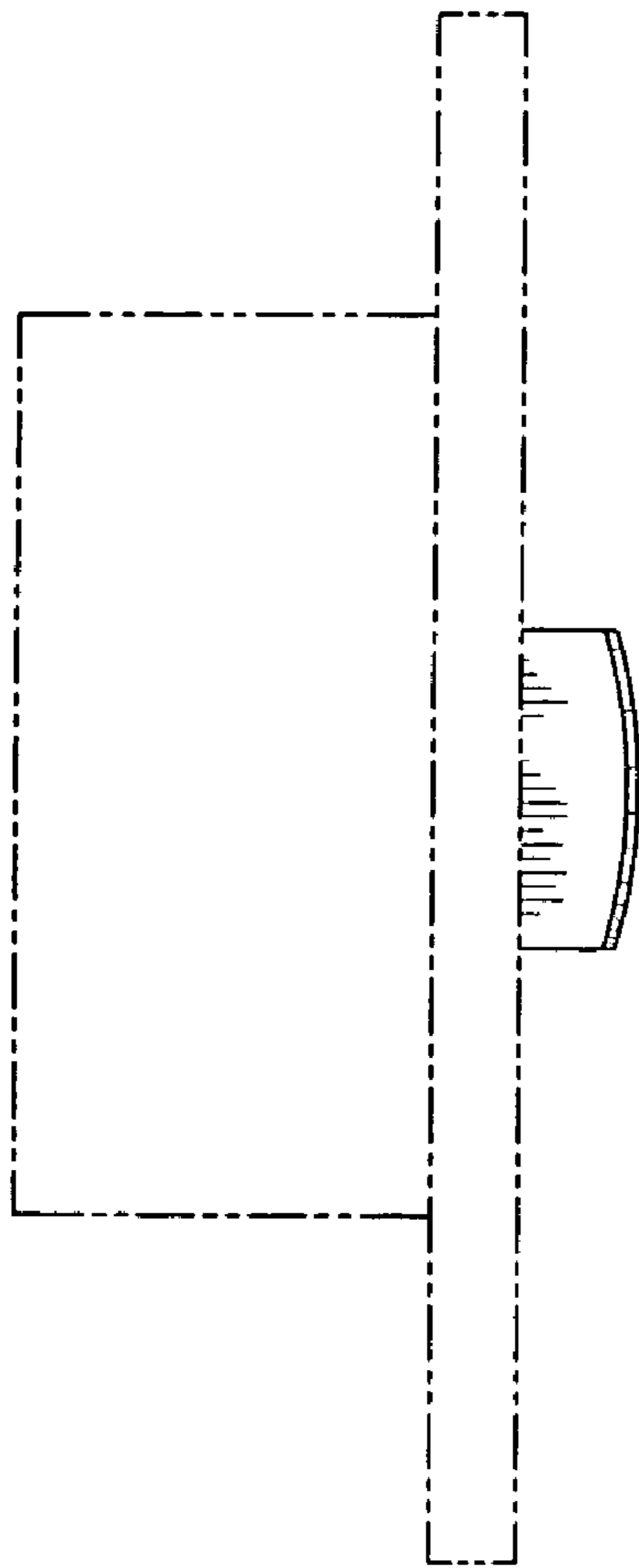


Fig. 3

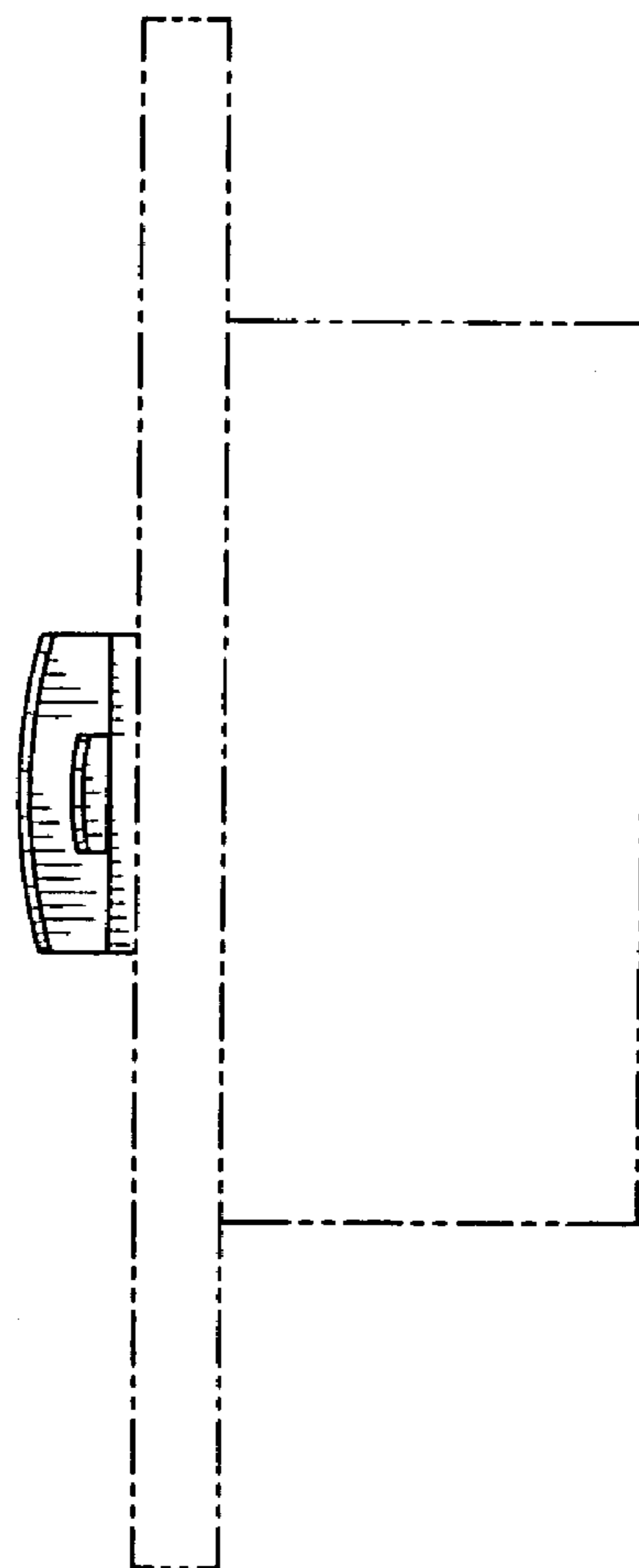


Fig. 4

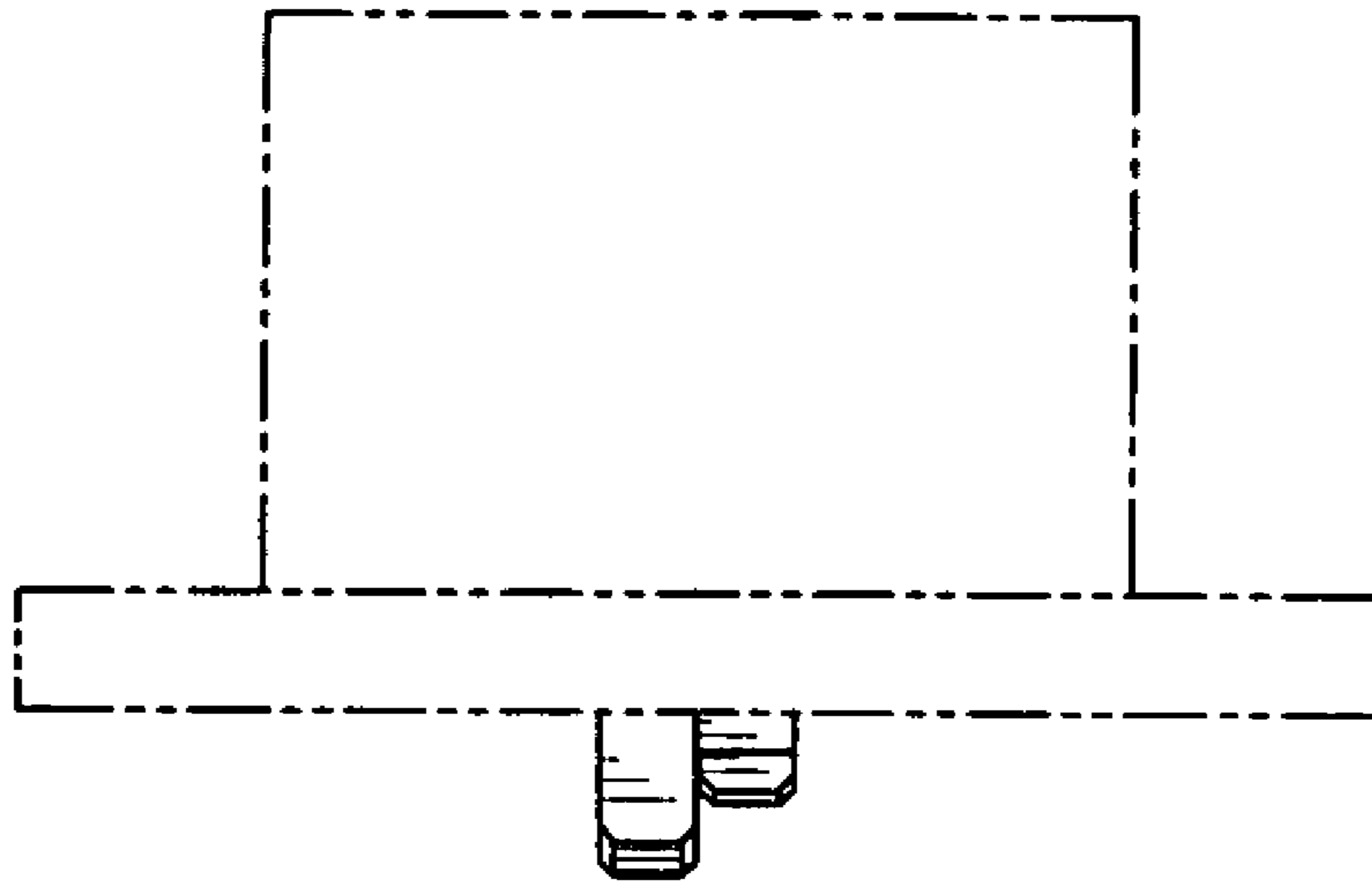


Fig. 5

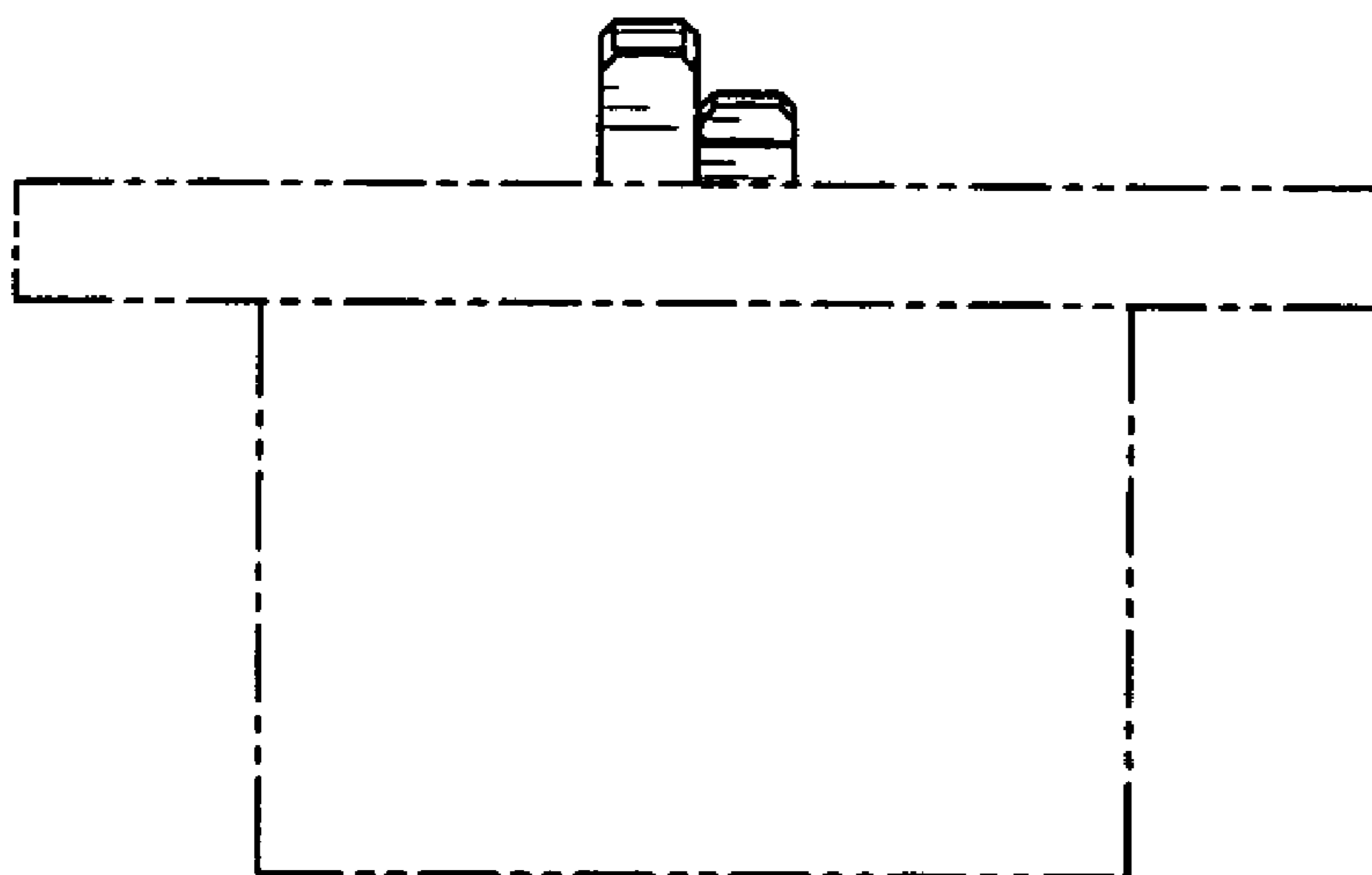


Fig. 6