

US00D547730S

(12) **United States Design Patent** (10) **Patent No.:** **US D547,730 S**
Azzola et al. (45) **Date of Patent:** **** Jul. 31, 2007**

(54) **ELECTRICAL CIRCUIT BREAKER**

(75) Inventors: **Lucio Azzola**, Bergamo (IT); **Giovanni Frassinetti**, Bergamo (IT)

(73) Assignee: **ABB Service S.r.l.** (IT)

(**) Term: **14 Years**

(21) Appl. No.: **29/250,297**

(22) Filed: **Nov. 9, 2006**

Related U.S. Application Data

(62) Division of application No. 29/188,211, filed on Aug. 15, 2003, now Pat. No. Des. 535,626.

Foreign Application Priority Data

Feb. 20, 2003 (IT) BG2003O0002

(51) **LOC (8) Cl.** **13-03**

(52) **U.S. Cl.** **D13/160**

(58) **Field of Classification Search** D13/160;
200/43.14, 50.01, 50.21–50.23, 51 R, 293,
200/400, 401; 361/42, 44, 45, 50, 71, 115,
361/608, 634

See application file for complete search history.

(56) **References Cited**

U.S. PATENT DOCUMENTS

D319,627 S * 9/1991 Smith et al. D13/160

5,296,664 A * 3/1994 Crookston et al. 200/401
D442,146 S * 5/2001 Greenberg et al. D13/160
D535,626 S * 1/2007 Azzola et al. D13/160
2001/0022713 A1* 9/2001 Gimenez et al. 361/42
2001/0025773 A1* 10/2001 Rane et al. 200/50.21
2004/0045796 A1* 3/2004 Azzola et al. 200/50.01
2005/0109597 A1* 5/2005 Etscheidt et al. 200/293

FOREIGN PATENT DOCUMENTS

WO DM/055 273 4/2001

* cited by examiner

Primary Examiner—Selina Sikder

(74) *Attorney, Agent, or Firm*—Connolly Bove Lodge & Hutz, LLP; Larry J. Hume

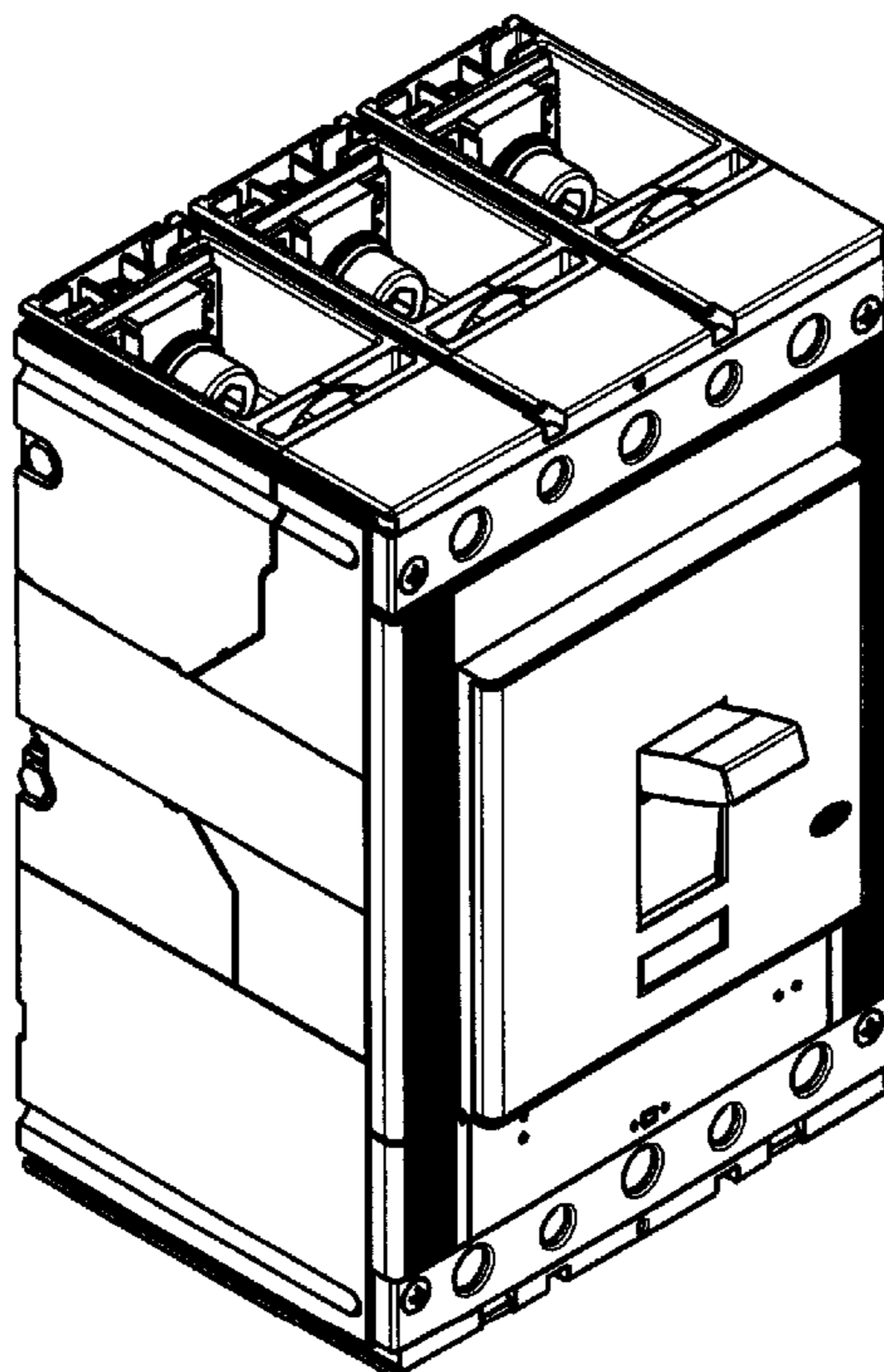
(57) **CLAIM**

We claim the ornamental design for an electrical circuit breaker, as shown and described.

DESCRIPTION

FIG. 1 is a perspective view of an embodiment of the design; FIG. 2 is a front elevational view thereof; FIG. 3 is a side elevational view thereof; and, FIG. 4 is a top view thereof.

1 Claim, 2 Drawing Sheets



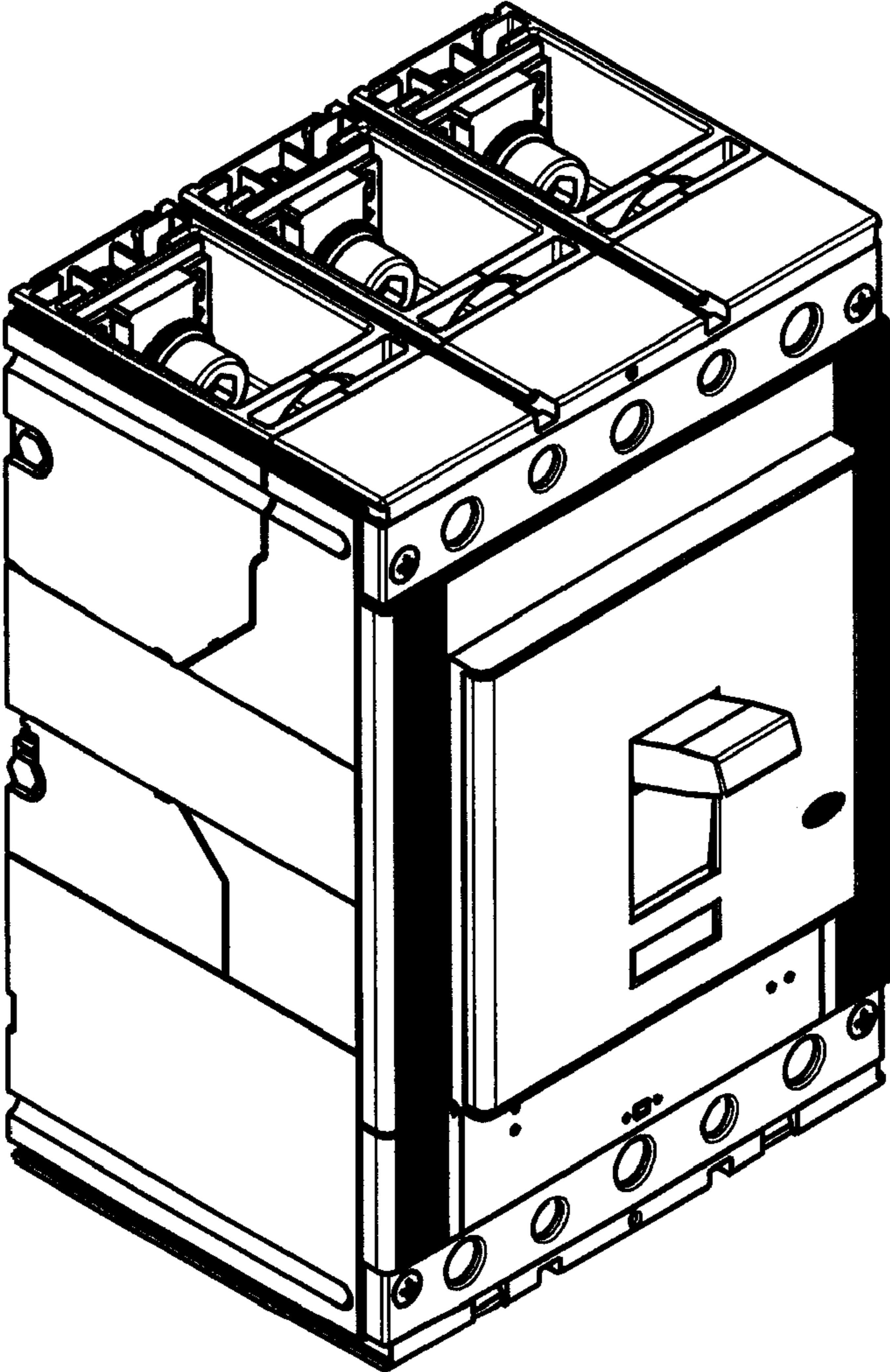


Fig. 1

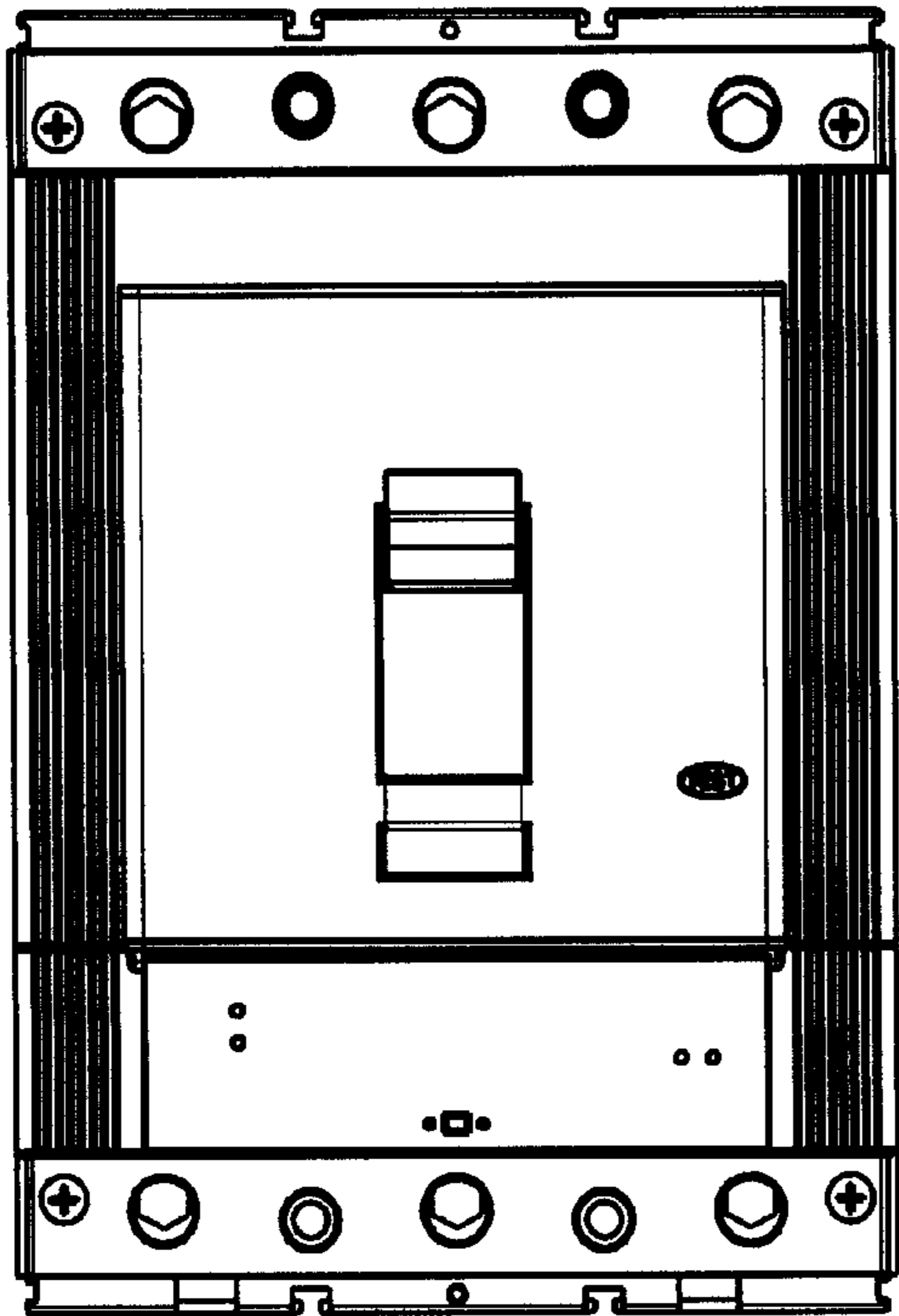


Fig. 2

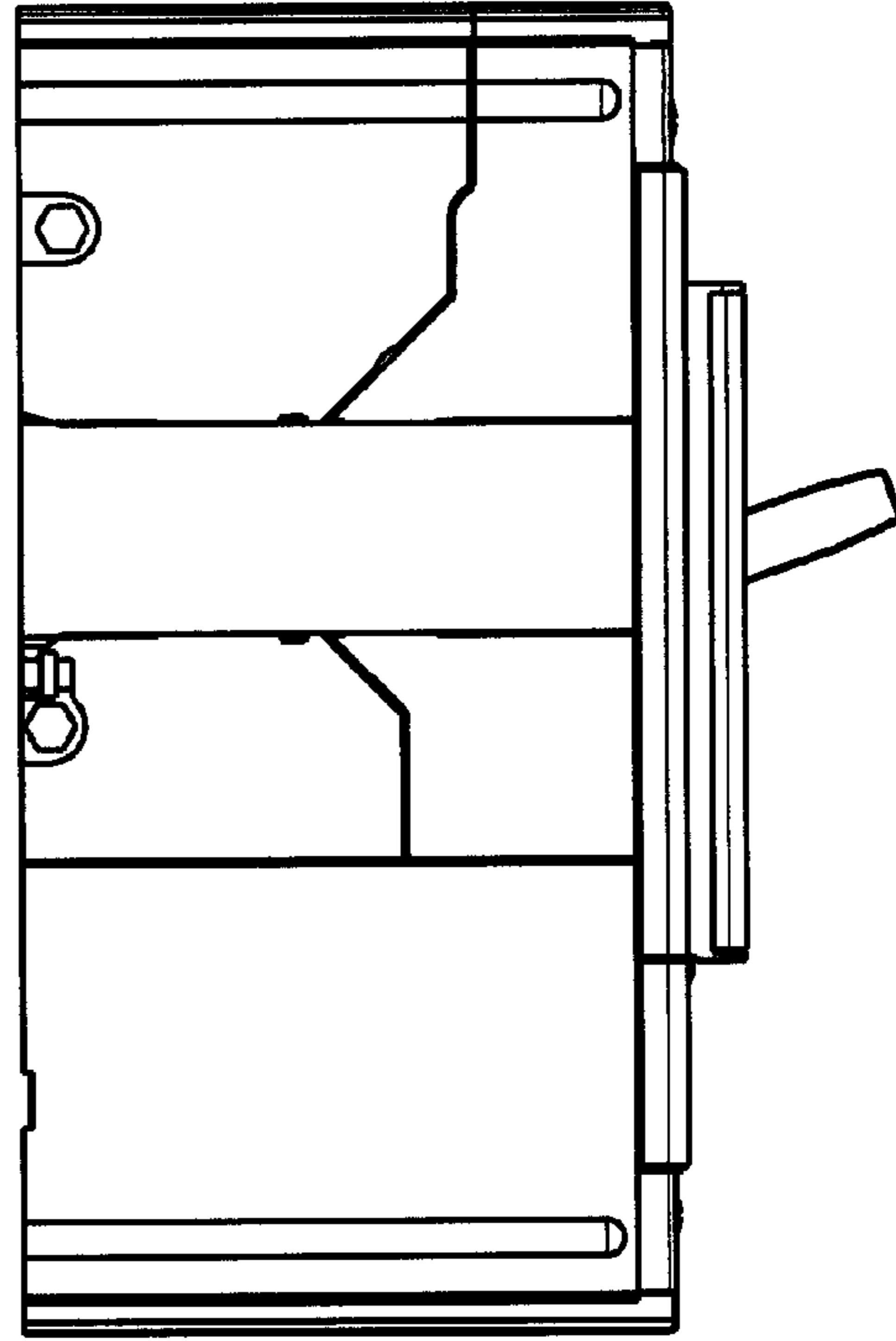


Fig. 3

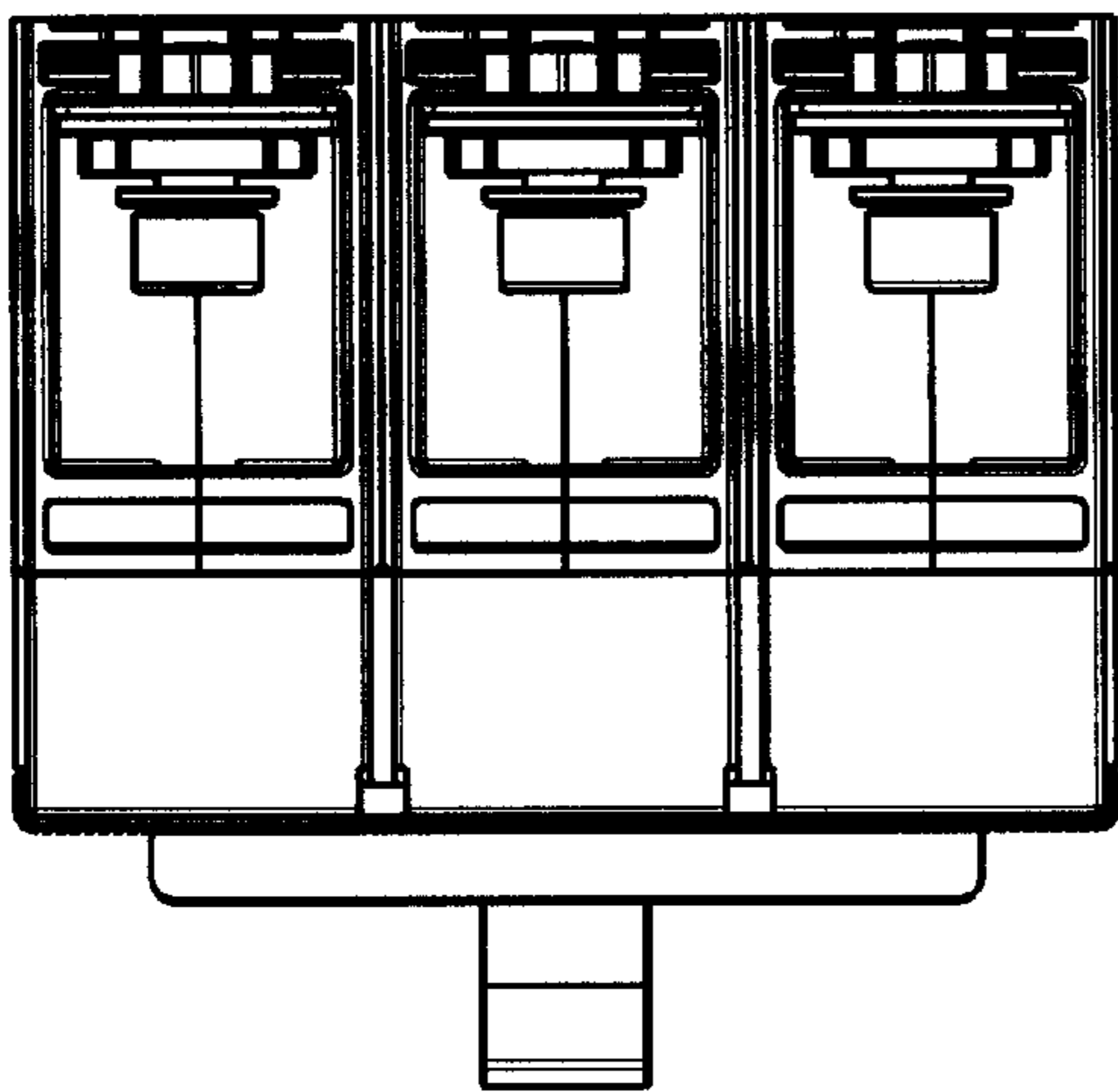


Fig. 4