



US00D547728S

(12) **United States Design Patent**
Lee et al.

(10) **Patent No.:** **US D547,728 S**
(45) **Date of Patent:** **** Jul. 31, 2007**

(54) **MEMORY CARD CONNECTOR**

(75) Inventors: **Yun-Chien Lee**, Tu-Cheng (TW);
Chung-Hsin Huang, Tu-Cheng (TW);
Mei-Chuan Yang, Tu-Cheng (TW)

(73) Assignee: **Cheng Uei Precision Industry Co., Ltd.**, Taipei Hsien (TW)

(**) Term: **14 Years**

(21) Appl. No.: **29/269,193**

(22) Filed: **Nov. 24, 2006**

(51) **LOC (8) Cl.** **13-03**

(52) **U.S. Cl.** **D13/147**

(58) **Field of Classification Search** D13/133,
D13/146-147, 149, 154, 184, 199; D14/432-433,
D14/435; 361/684, 754; 439/64, 79, 159-160,
439/108, 607-610, 629-630, 636, 638
See application file for complete search history.

(56) **References Cited**

U.S. PATENT DOCUMENTS

5,813,878 A * 9/1998 Kuwata et al. 439/326
D410,628 S * 6/1999 Wu D13/147
6,835,100 B1 * 12/2004 Chen 439/630
6,971,921 B1 * 12/2005 Lai 439/676

D520,453 S * 5/2006 Yoneyama et al. D13/147
D520,957 S * 5/2006 Chang et al. D13/147
D529,869 S * 10/2006 Lee et al. D13/147
2006/0063422 A1 * 3/2006 Lu et al. 439/489

* cited by examiner

Primary Examiner—Daniel Bui

(74) *Attorney, Agent, or Firm*—Rosenberg, Klein & Lee

(57) **CLAIM**

The ornamental design for a memory card connector, as shown and described.

DESCRIPTION

FIG. 1 is a perspective view of a memory card connector showing our new design;

FIG. 2 is a front elevational view thereof;

FIG. 3 is a rear elevational view thereof;

FIG. 4 is a left side elevational view thereof;

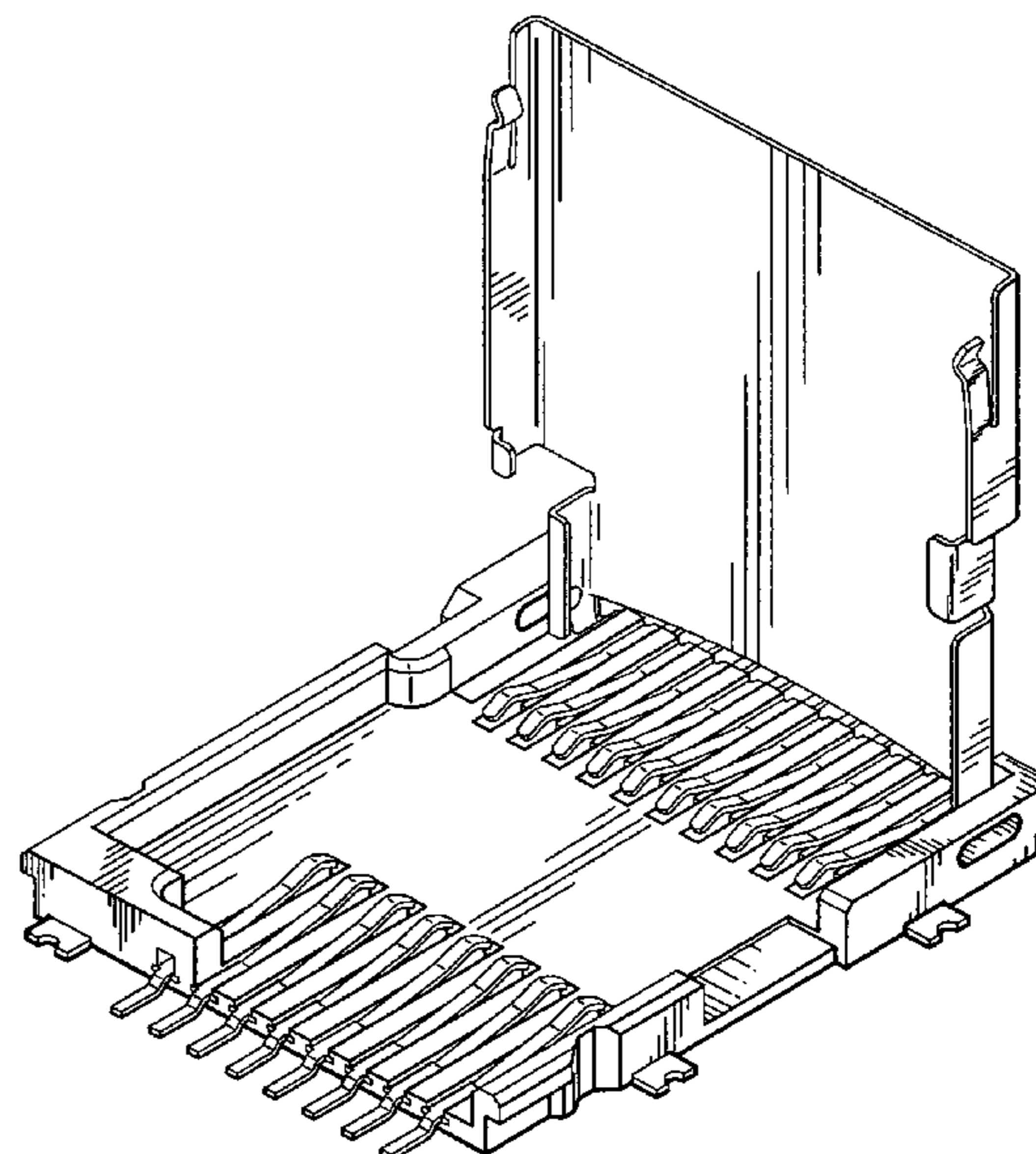
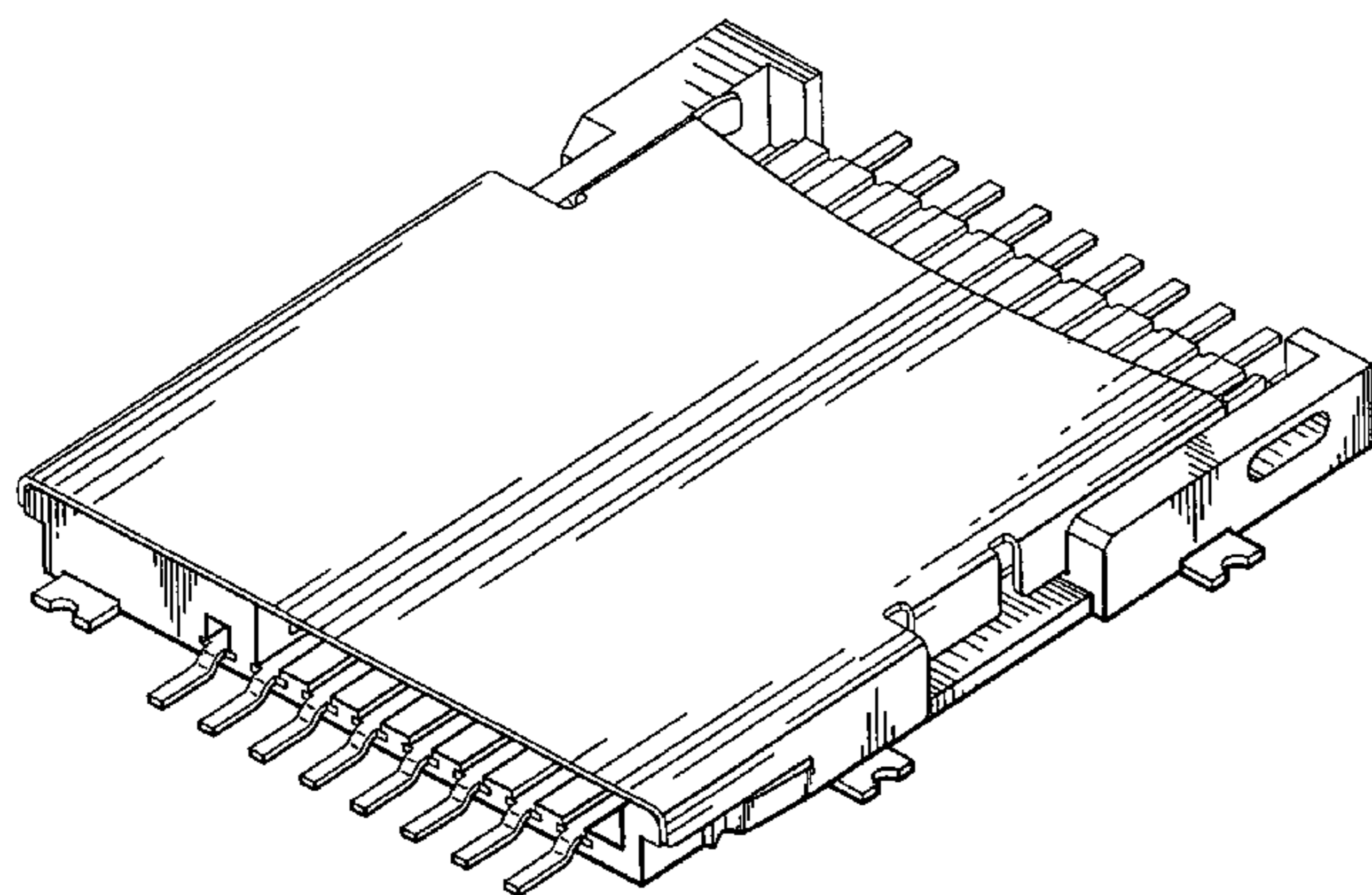
FIG. 5 is a right side elevational view thereof;

FIG. 6 is a top plan view thereof;

FIG. 7 is a bottom plan view thereof; and,

FIG. 8 is a perspective view showing the memory card connector at open state.

1 Claim, 8 Drawing Sheets



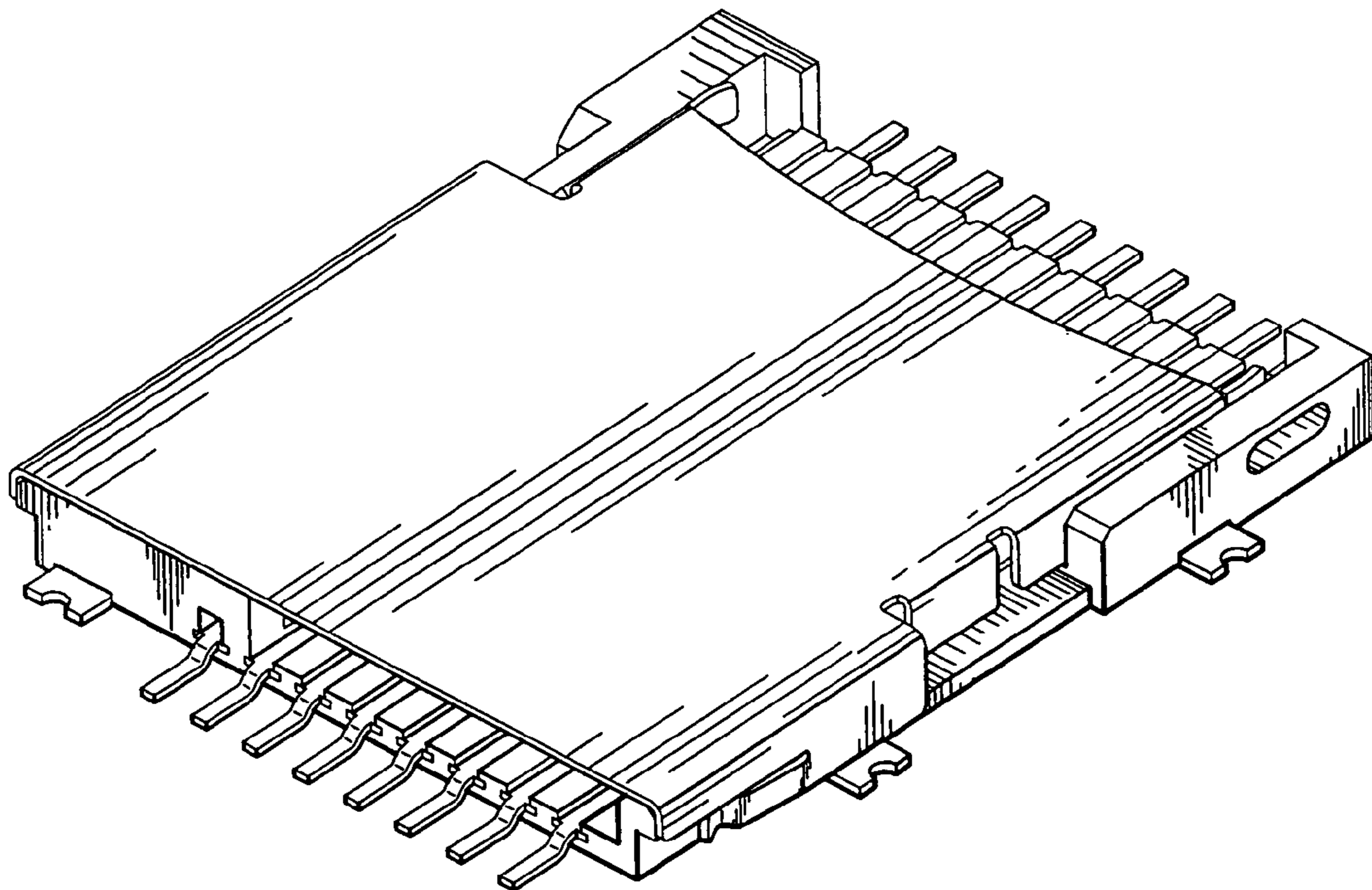


FIG. 1

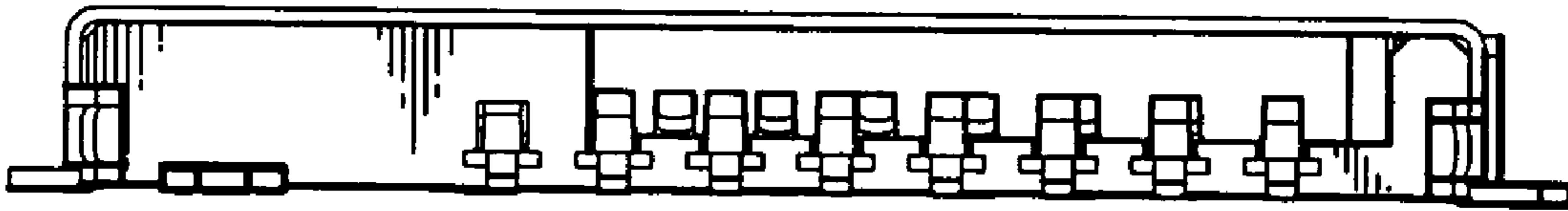


FIG. 2



FIG. 3

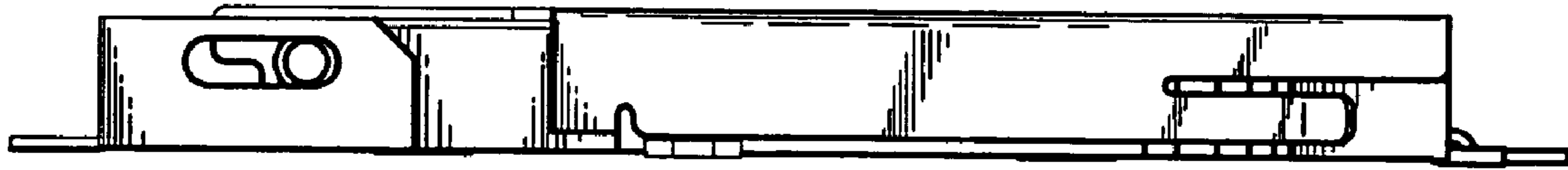


FIG. 4



FIG. 5

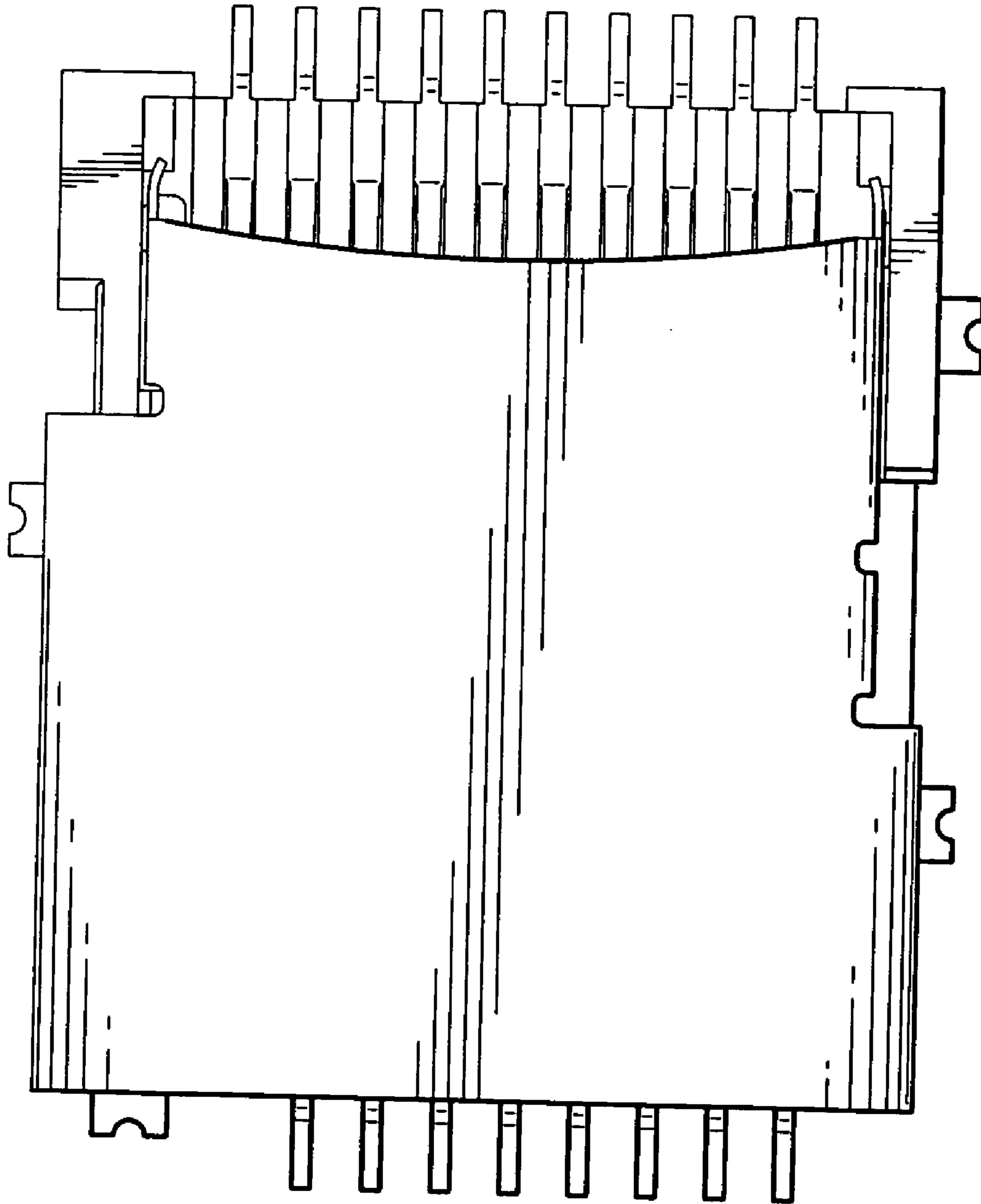


FIG. 6

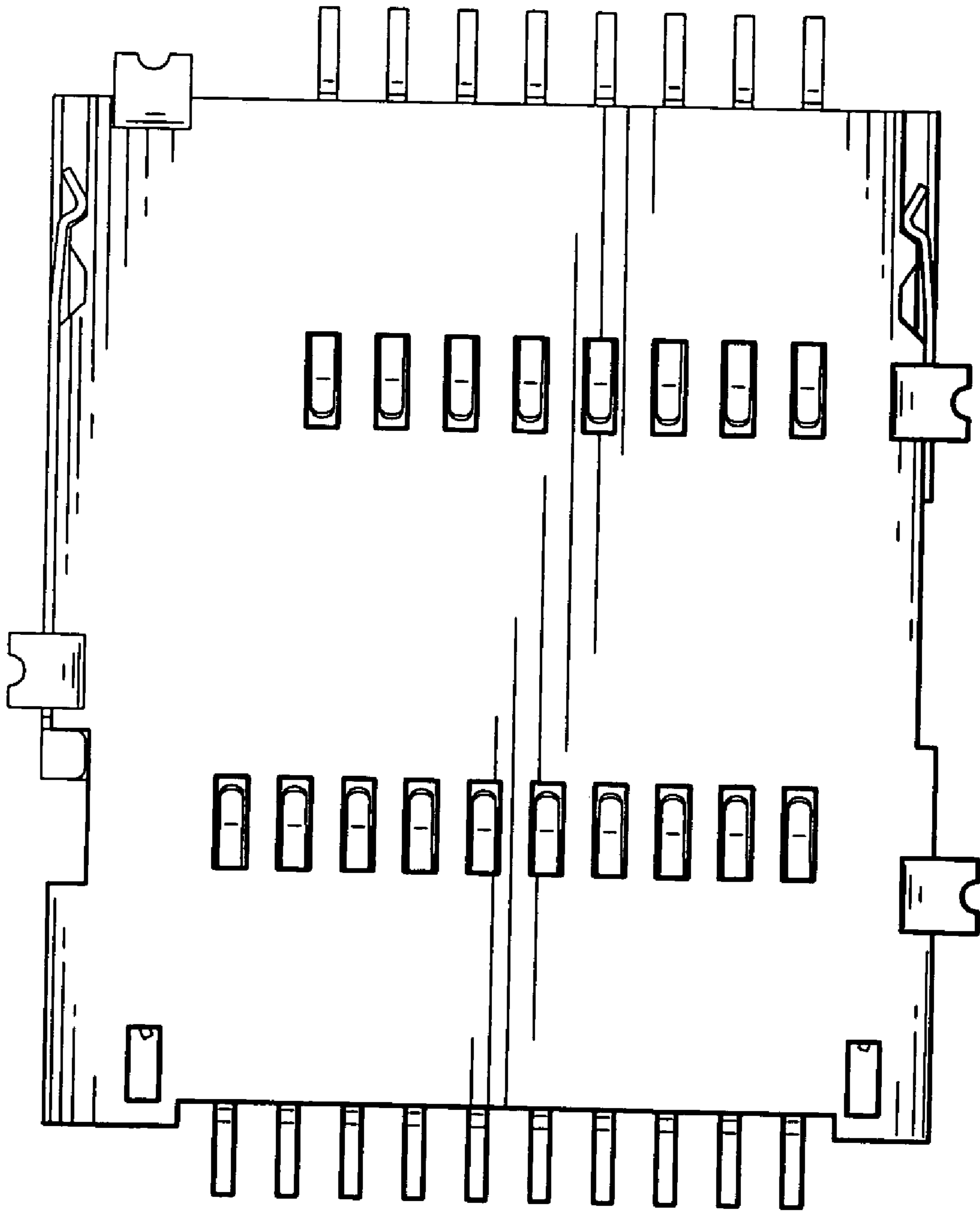


FIG. 7

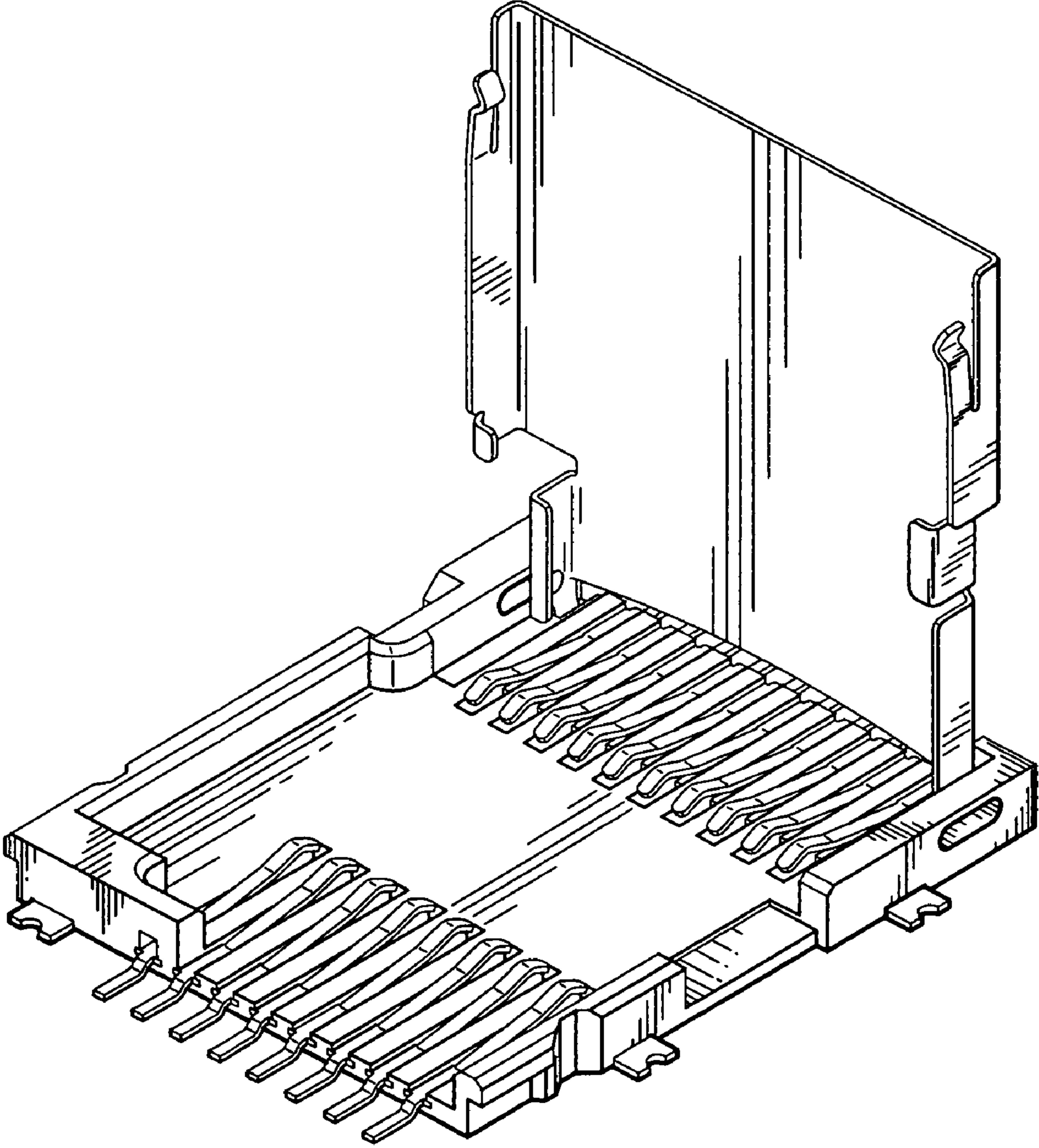


FIG. 8