

US00D547727S

(12) **United States Design Patent**  
**Sasaki**

(10) **Patent No.:** **US D547,727 S**  
(45) **Date of Patent:** **\*\* Jul. 31, 2007**

(54) **ADAPTER FOR USE WITH MEMORY CARD**

FOREIGN PATENT DOCUMENTS

(75) Inventor: **Masamichi Sasaki**, Tokyo (JP)

TW 545966 8/2003

\* cited by examiner

(73) Assignee: **Japan Aviation Electronics Industry, Limited**, Tokyo (JP)

*Primary Examiner*—Nanda Bondade

*Assistant Examiner*—Daniel Bui

(\*\*) Term: **14 Years**

(74) *Attorney, Agent, or Firm*—Collard & Roe, P.C.

(21) Appl. No.: **29/237,596**

(57) **CLAIM**

(22) Filed: **Sep. 2, 2005**

An ornamental design for an adapter for use with memory card, as shown and described.

(30) **Foreign Application Priority Data**

**DESCRIPTION**

Mar. 4, 2005 (JP) ..... 2005-009945

(51) **LOC (8) Cl.** ..... **13-03**

(52) **U.S. Cl.** ..... **D13/147**

(58) **Field of Classification Search** ..... D13/133,  
D13/146–147, 149, 154, 184; D14/432–436,  
D14/438; 439/64, 79, 159–160, 492, 496,  
439/607–610

See application file for complete search history.

FIG. 1 is a front elevational view of an adapter for use with memory card, showing my new design;

FIG. 2 is a top plan view thereof;

FIG. 3 is a bottom plan view thereof;

FIG. 4 is a rear elevational view thereof;

FIG. 5 is a right side elevational view thereof;

FIG. 6 is a left side elevational view thereof;

FIG. 7 is a front, bottom and right side perspective view thereof;

FIG. 8 is a rear, top and right side perspective view thereof; and,

FIG. 9 is a front, bottom, and right side perspective view of the adapter together with a board, an electrical connector mounted thereon, and a memory card in a state where the memory card is not inserted in the adapter.

The broken line showing of the environment is for illustrative purposes only and forms no part of the claimed design.

(56) **References Cited**

U.S. PATENT DOCUMENTS

D322,604 S \* 12/1991 Komatsu ..... D13/147

D488,444 S \* 4/2004 Motojima ..... D13/147

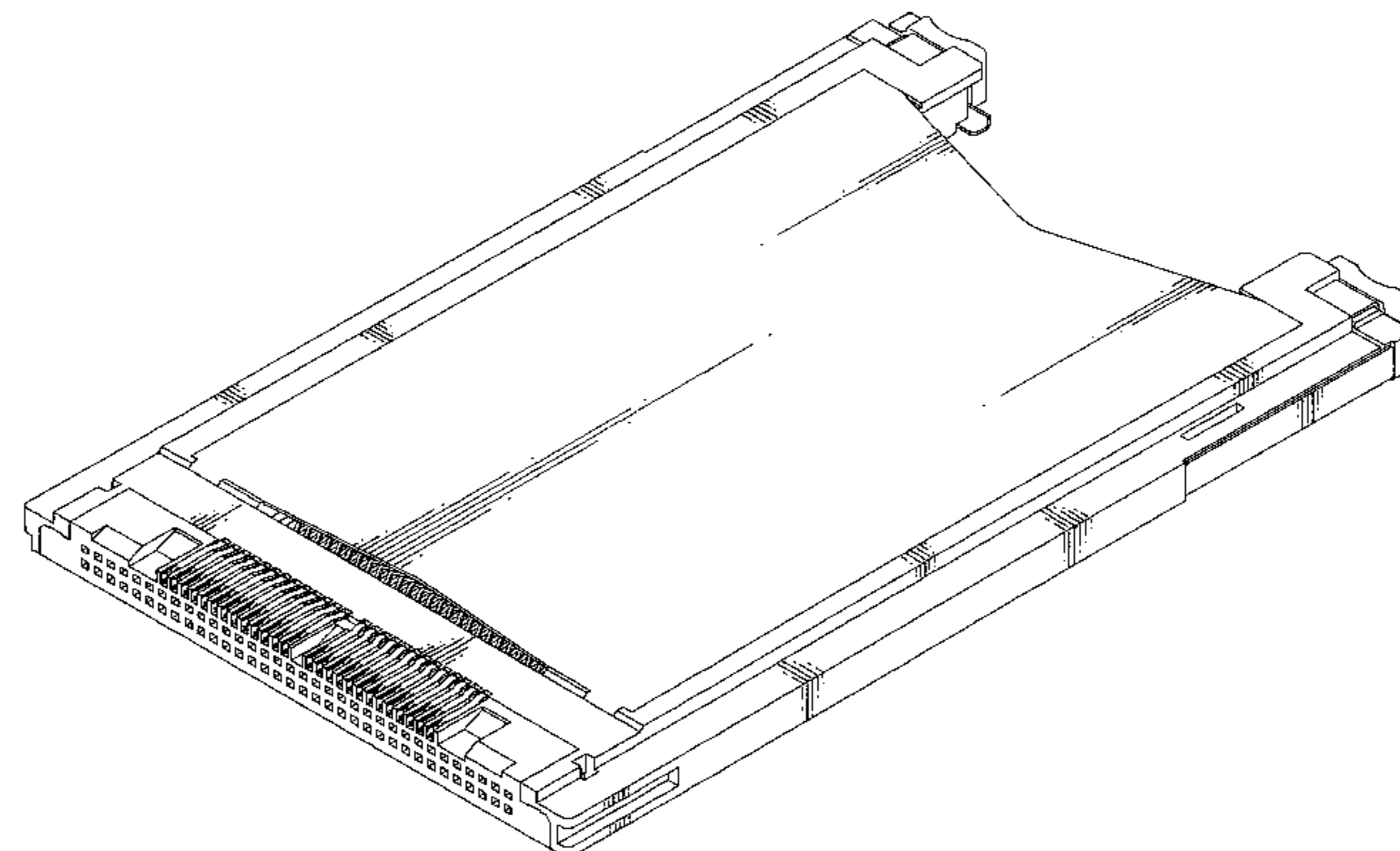
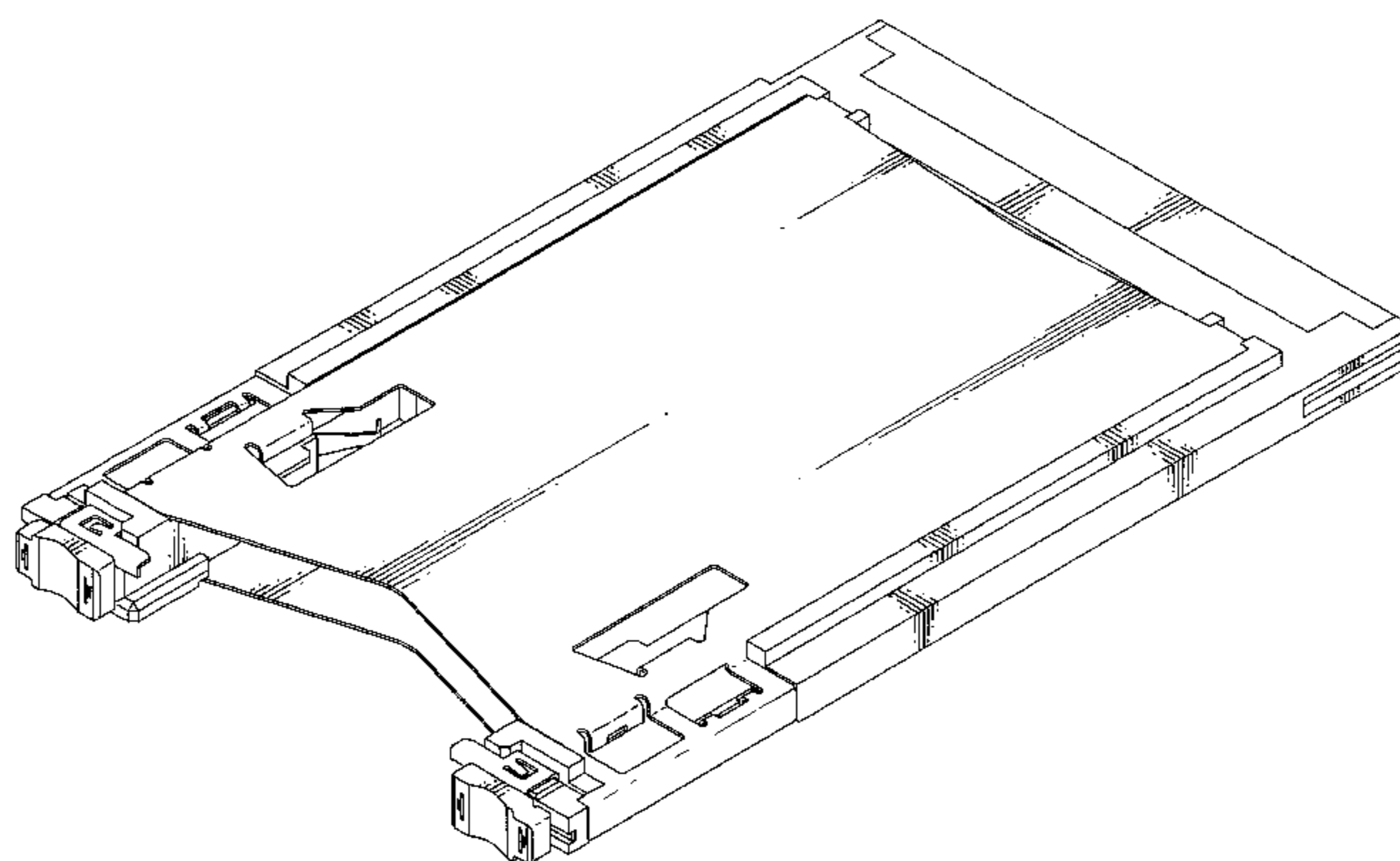
6,997,752 B2 \* 2/2006 Kato et al. .... 439/637

2004/0082210 A1 \* 4/2004 Wallace et al. .... 439/152

2005/0136744 A1 \* 6/2005 Kato et al. .... 439/630

2005/0186817 A1 \* 8/2005 Yang et al. .... 439/159

**1 Claim, 8 Drawing Sheets**



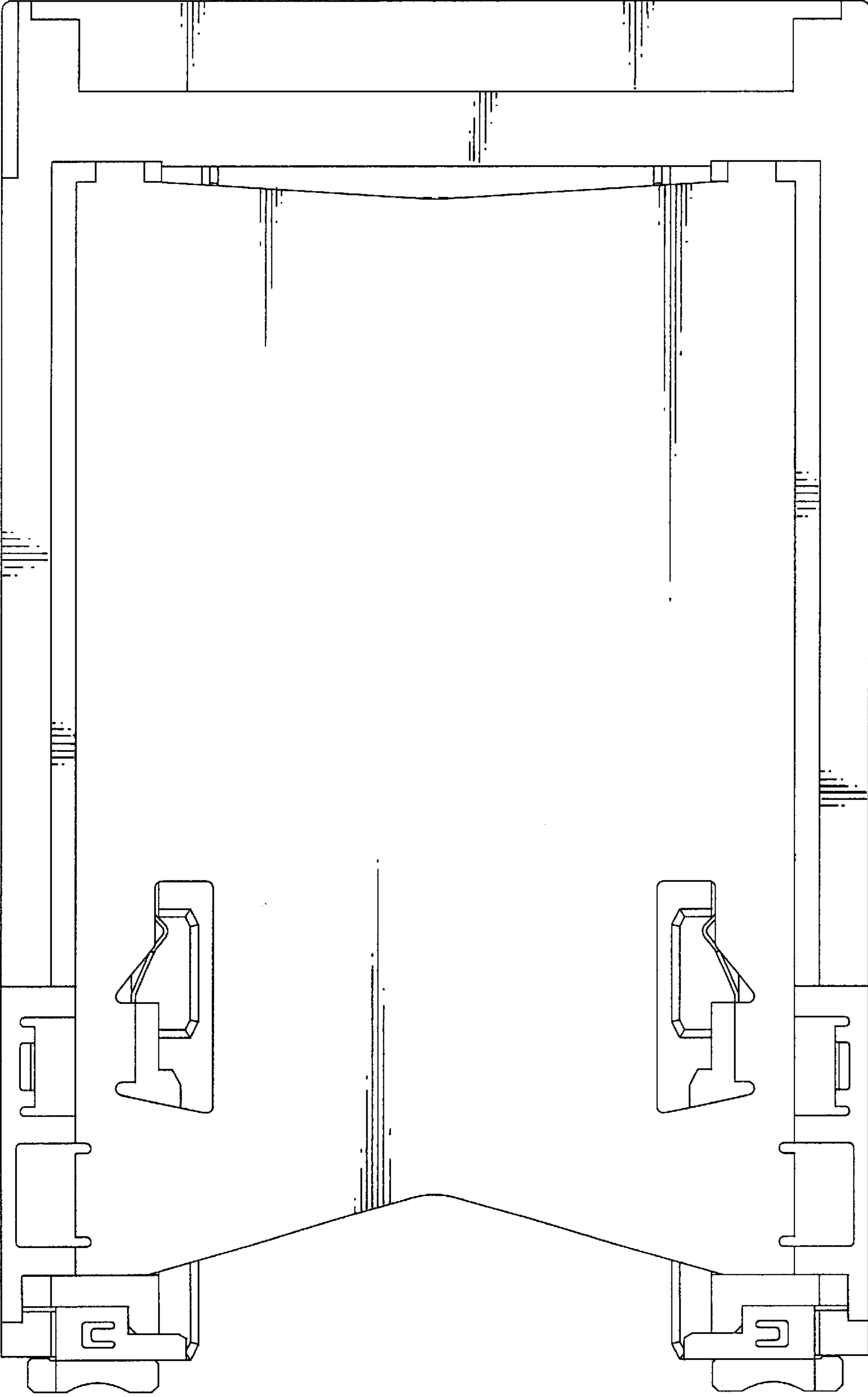


FIG. 1

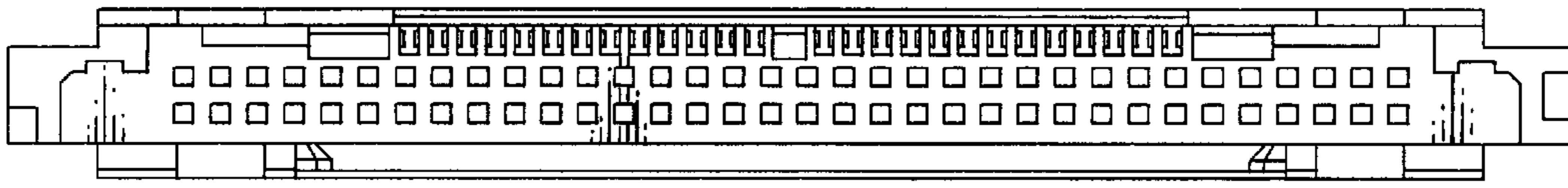


FIG. 2

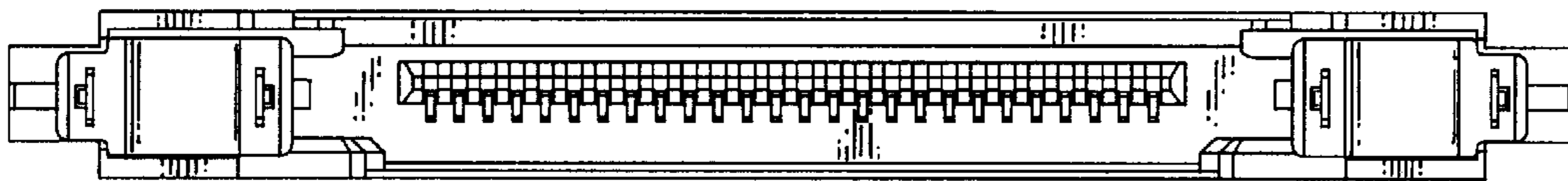


FIG. 3

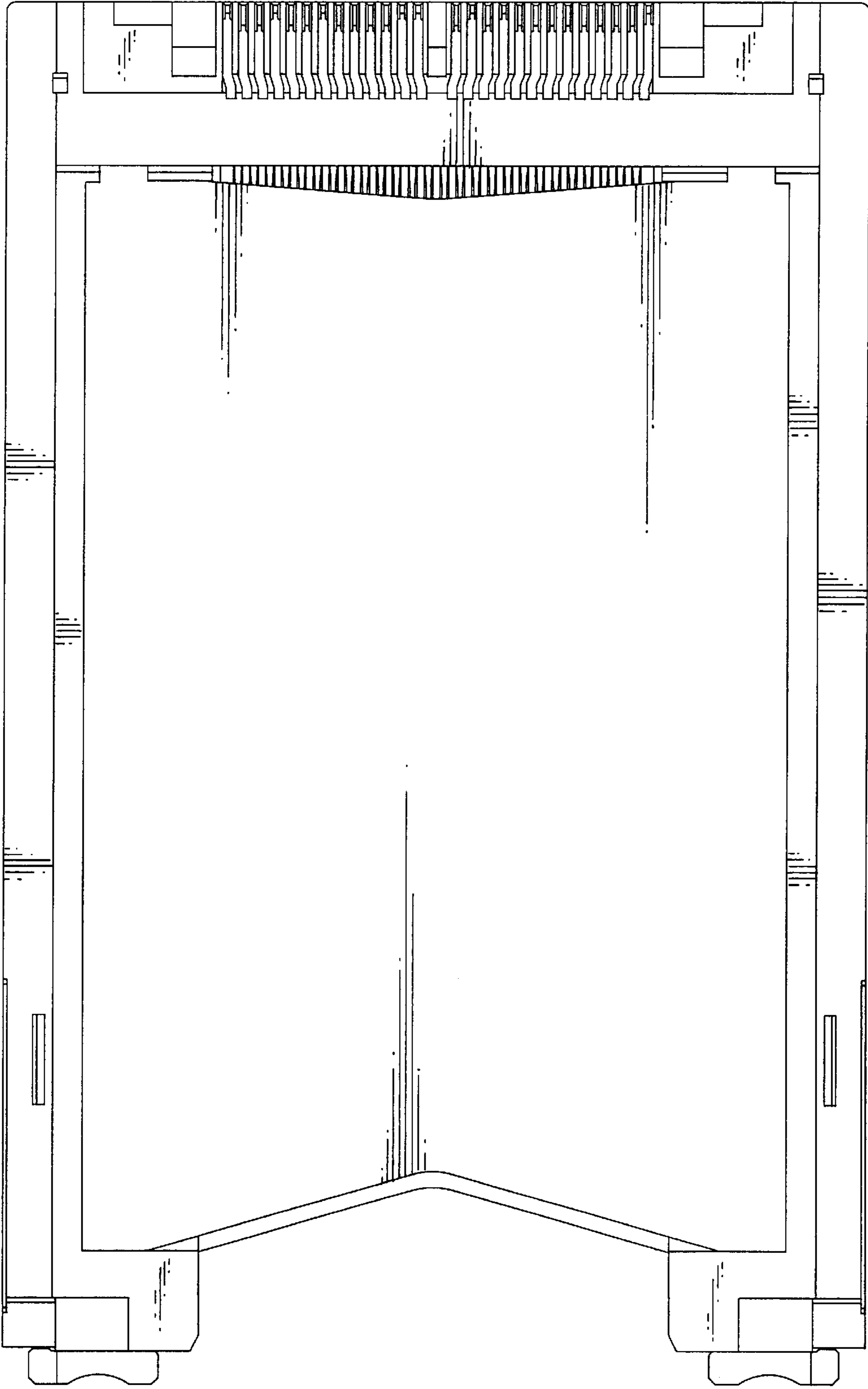


FIG. 4

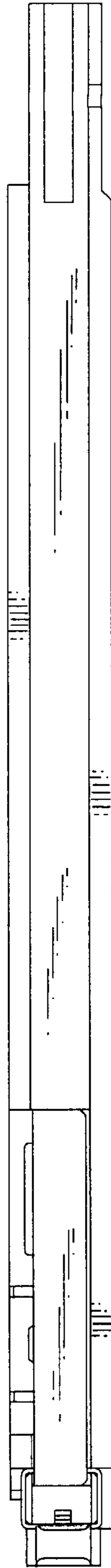


FIG. 5

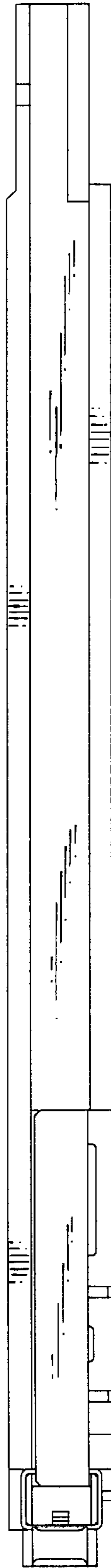


FIG. 6

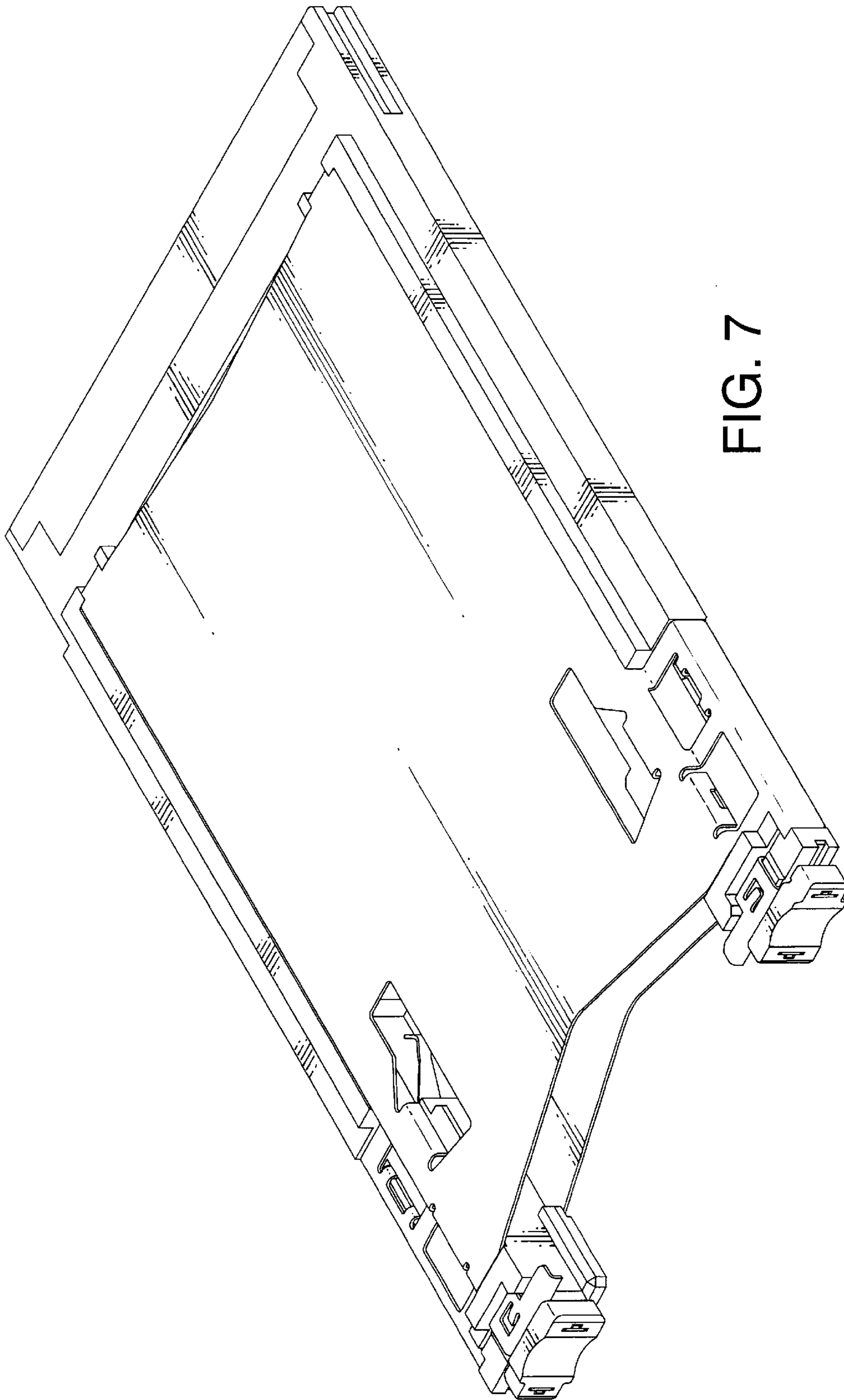
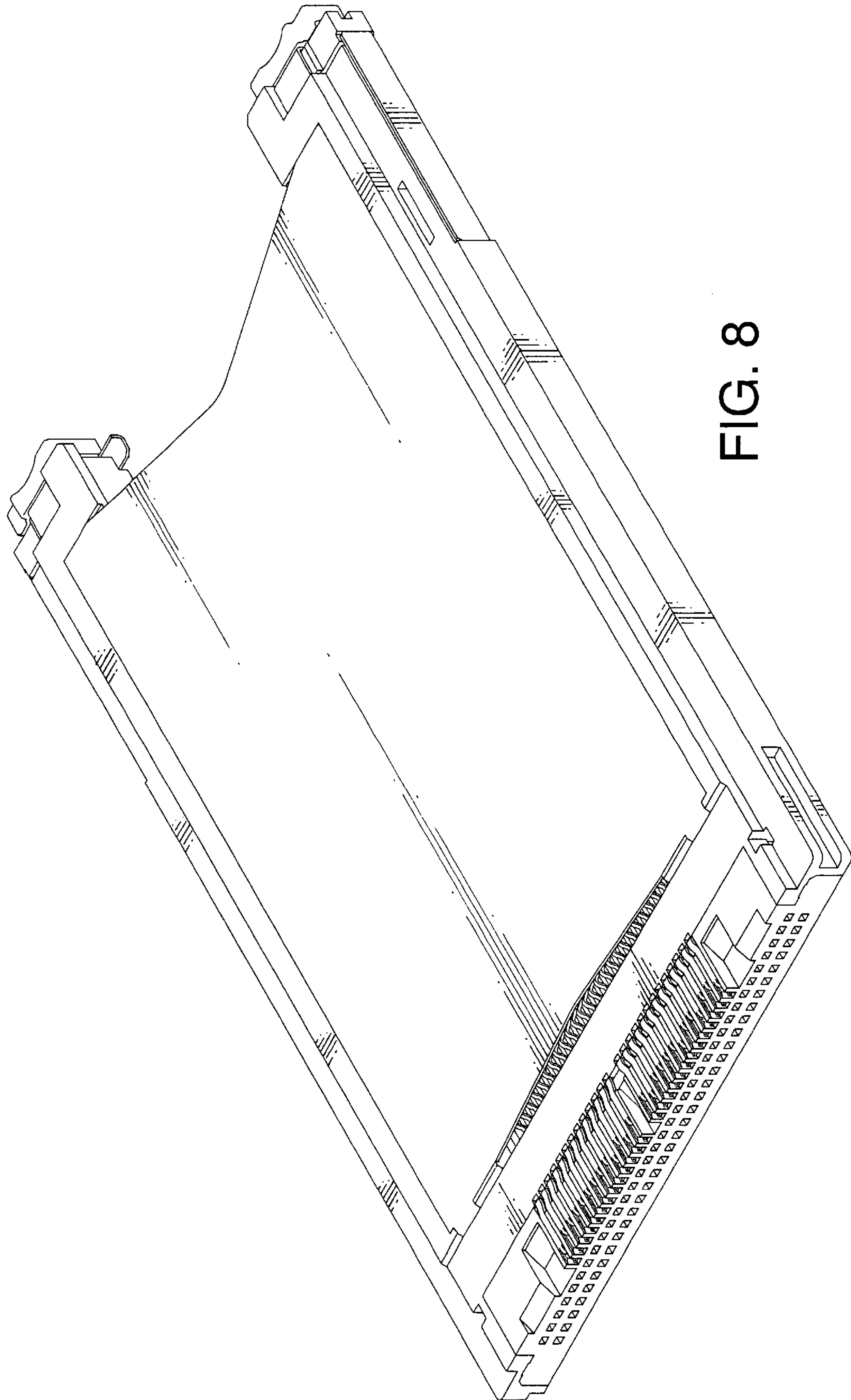


FIG. 7





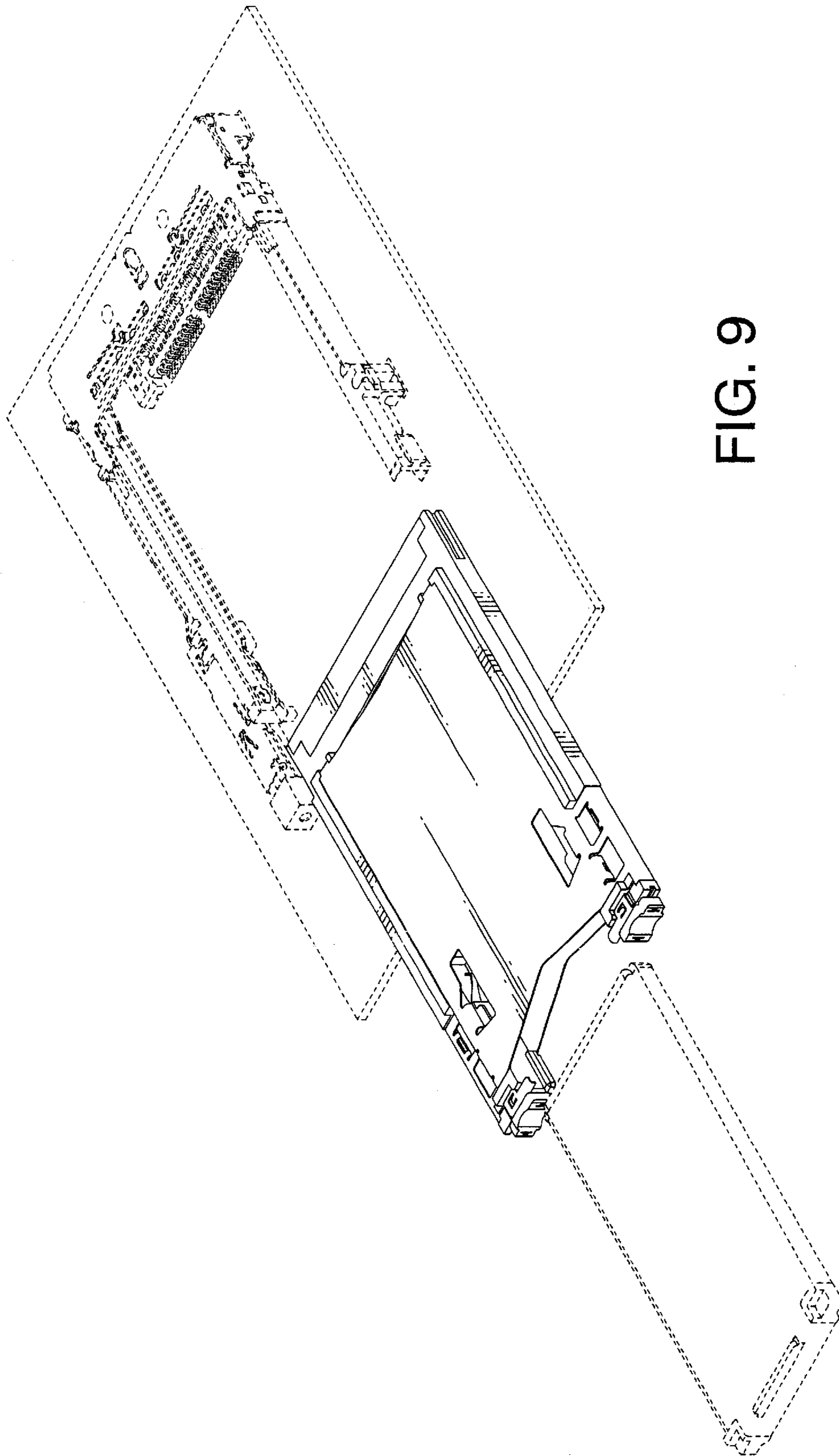


FIG. 9