

US00D547726S

(12) **United States Design Patent**  
Ng

(10) **Patent No.:** **US D547,726 S**

(45) **Date of Patent:** **\*\* Jul. 31, 2007**

(54) **WORKSHOP SURGE PROTECTOR WITH DUST COVERS**

*Primary Examiner*—Alan P. Douglas  
*Assistant Examiner*—Rosemary K. Tarcza

(76) Inventor: **Kenneth Yat Chung Ng**, 1111 Corporate Center Dr., #304A, Monterey Park, CA (US) 91754

(57) **CLAIM**

The ornamental design for a workshop surge protector with dust covers, as shown.

(\*\*) Term: **14 Years**

(21) Appl. No.: **29/266,512**

(22) Filed: **Sep. 22, 2006**

**DESCRIPTION**

(51) **LOC (8) Cl.** ..... **13-03**

(52) **U.S. Cl.** ..... **D13/139.8**

(58) **Field of Classification Search** ..... D13/137.1, D13/137.3, 137.4, 139.1, 139.4, 139.6–139.8, D13/124, 160, 162, 164, 178, 184; 361/118, 361/119; 439/106–108, 188, 535, 650–654  
See application file for complete search history.

FIG. 1 is a perspective view of a workshop surge protector with dust covers showing my new design, shown on an enlarged scale;

FIG. 2 is a top view thereof;

FIG. 3 is a bottom view thereof;

FIG. 4 is a front view thereof;

FIG. 5 is a rear view thereof;

FIG. 6 is a left side view thereof;

FIG. 7 is a right side view thereof;

FIG. 8 is a perspective view thereof showing multiple dust covers in the opened position, shown on an enlarged scale;

FIG. 9 is an enlarged partial view showing the larger dust cover in the opened position; and,

FIG. 10 is an enlarged partial view showing the smaller dust cover in the opened position.

The portion of the drawing shown in dashed lines is for illustrative purposes only and forms no part of the claimed design.

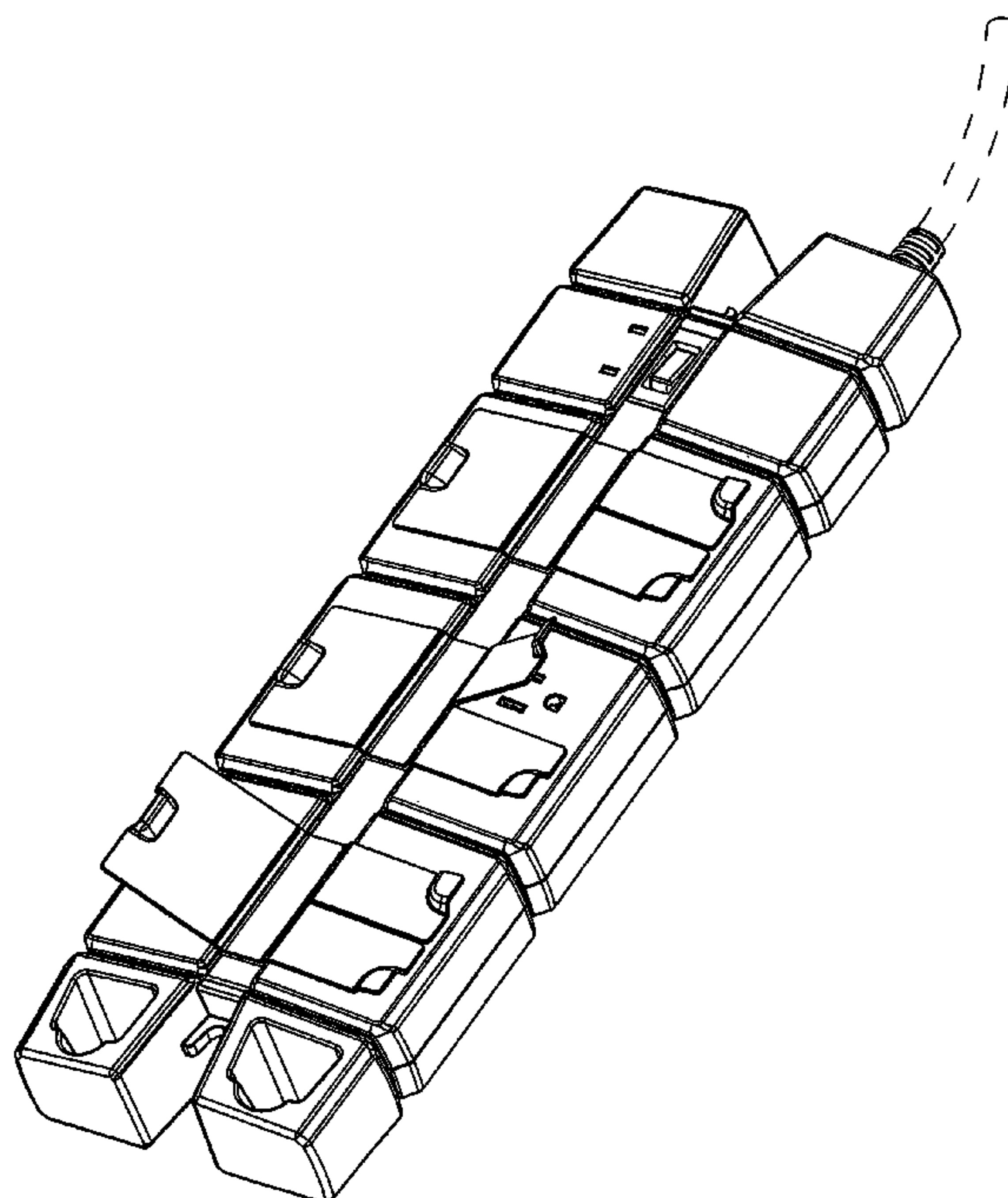
(56) **References Cited**

U.S. PATENT DOCUMENTS

D365,803	S	*	1/1996	Boesel et al.	.....	D13/139.8
D368,893	S	*	4/1996	Harwood et al.	.....	D13/139.8
D380,195	S	*	6/1997	Stekelenburg	.....	D13/139.6
D409,978	S	*	5/1999	Stekelenburg	.....	D13/139.6
D435,517	S	*	12/2000	Stekelenburg	.....	D13/139.8
D435,518	S	*	12/2000	Stekelenburg	.....	D13/139.8
D445,400	S	*	7/2001	Tong et al.	.....	D13/139.8
D445,401	S	*	7/2001	Tong et al.	.....	D13/139.8
D449,580	S	*	10/2001	Gee, II	.....	D13/139.8
6,527,599	B2	*	3/2003	Bechtold et al.	.....	439/736
D472,522	S	*	4/2003	MacKay	.....	D13/139.6
D484,099	S	*	12/2003	Bettencourt	.....	D13/139.8
D519,927	S	*	5/2006	Sung et al.	.....	D13/139.8

\* cited by examiner

**1 Claim, 8 Drawing Sheets**



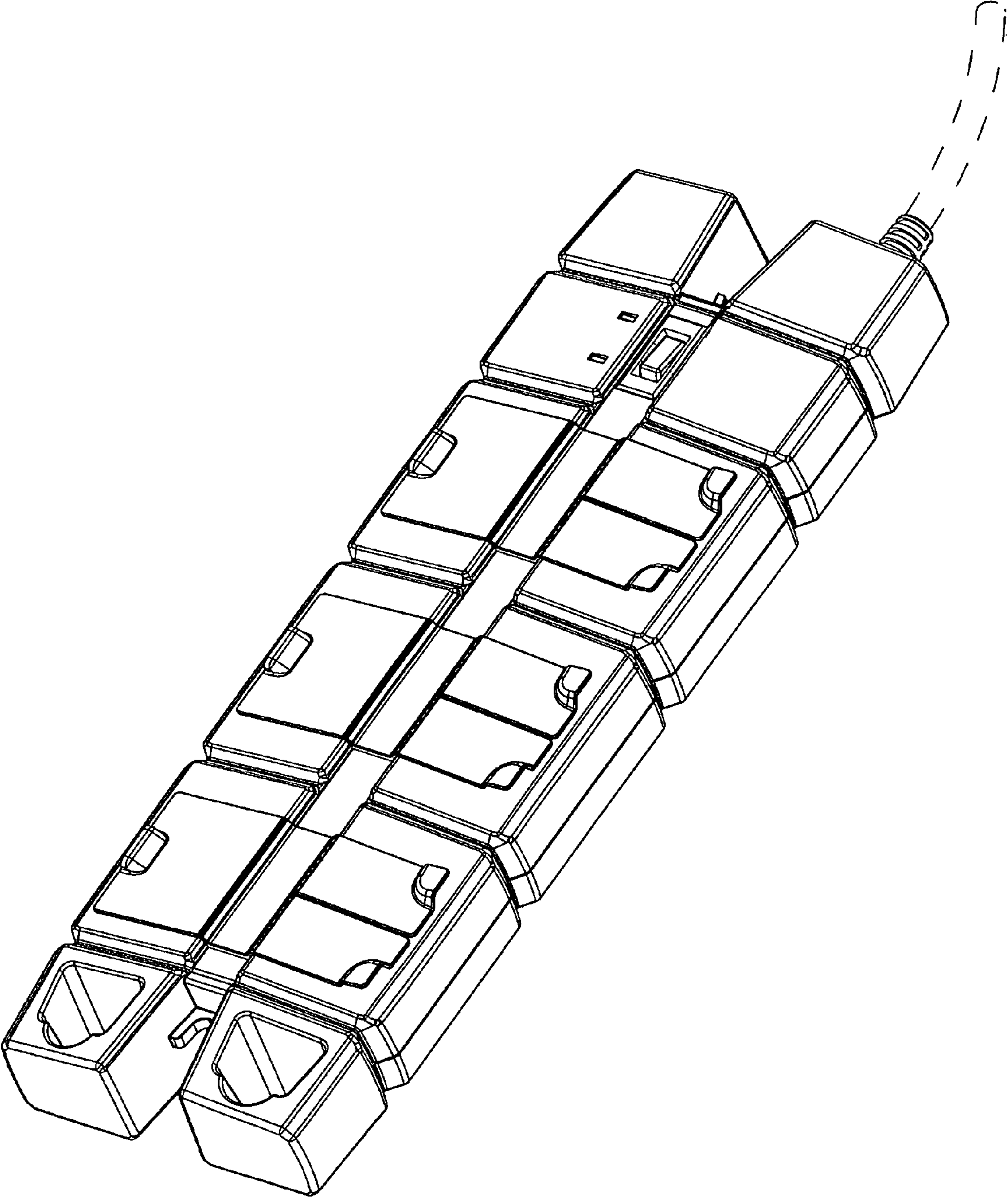


Fig. 1

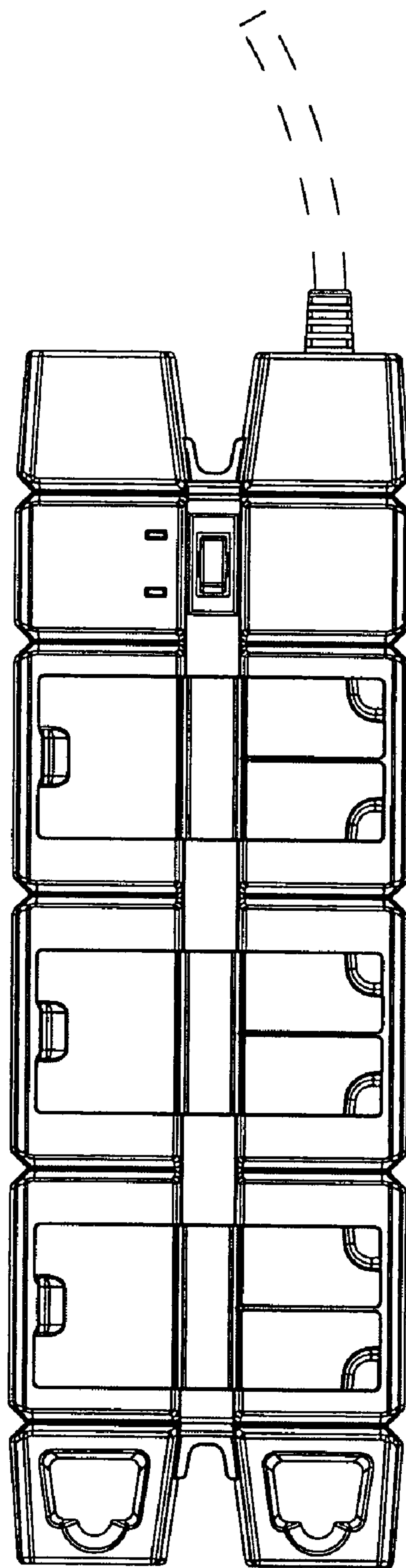


Fig. 2

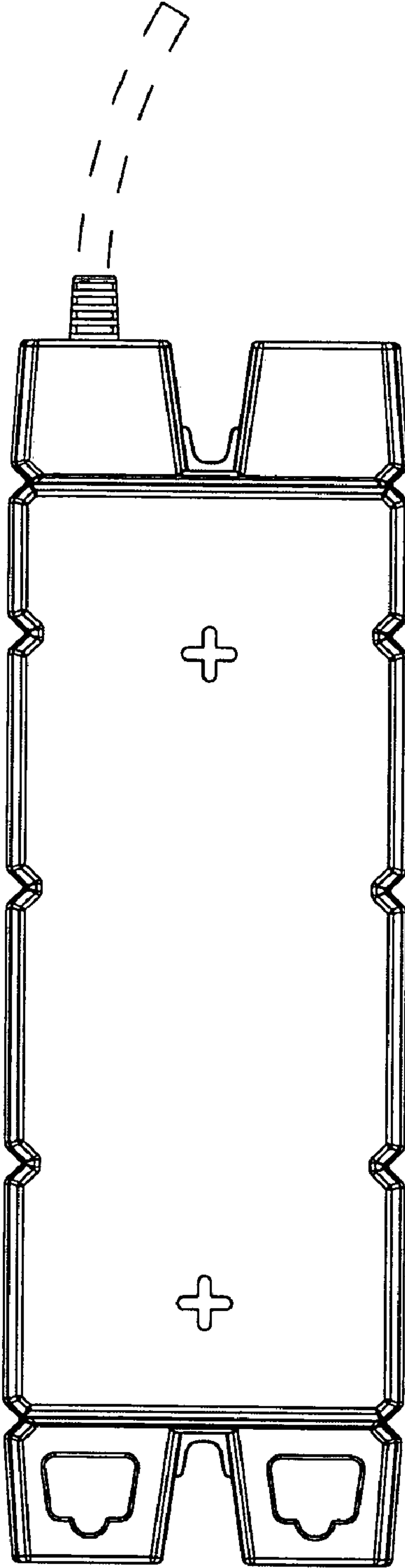


Fig. 3

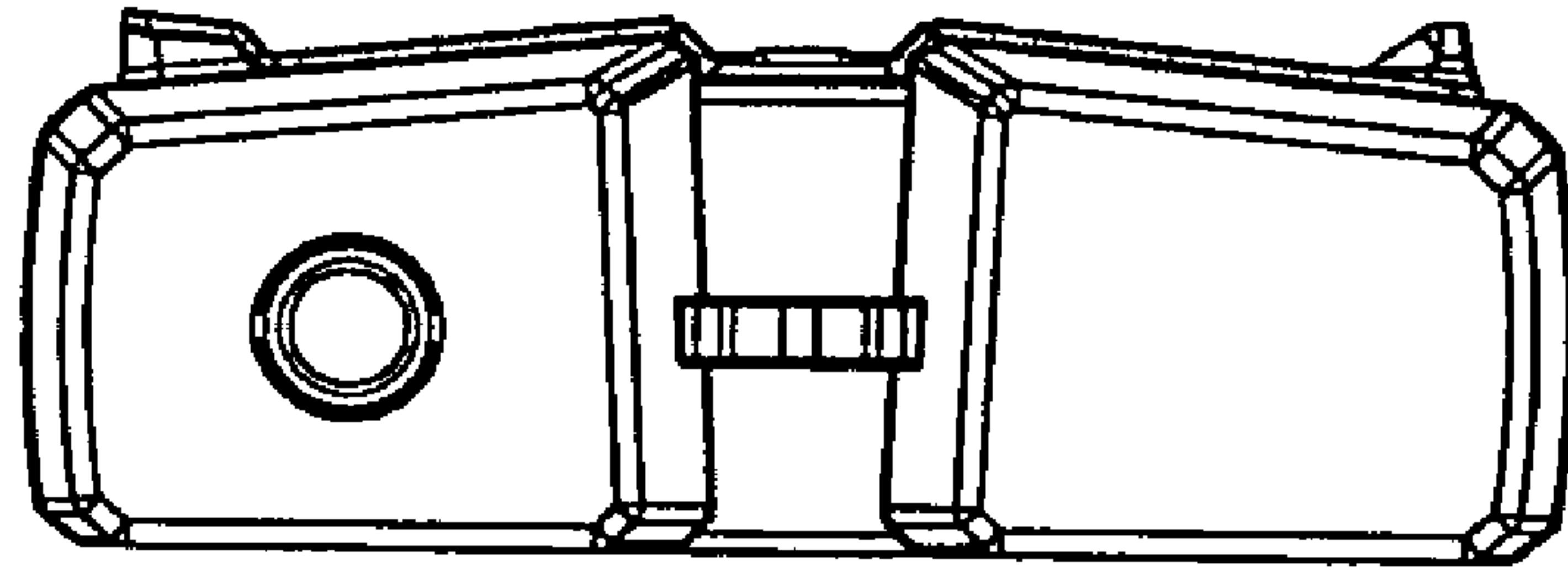


Fig. 4

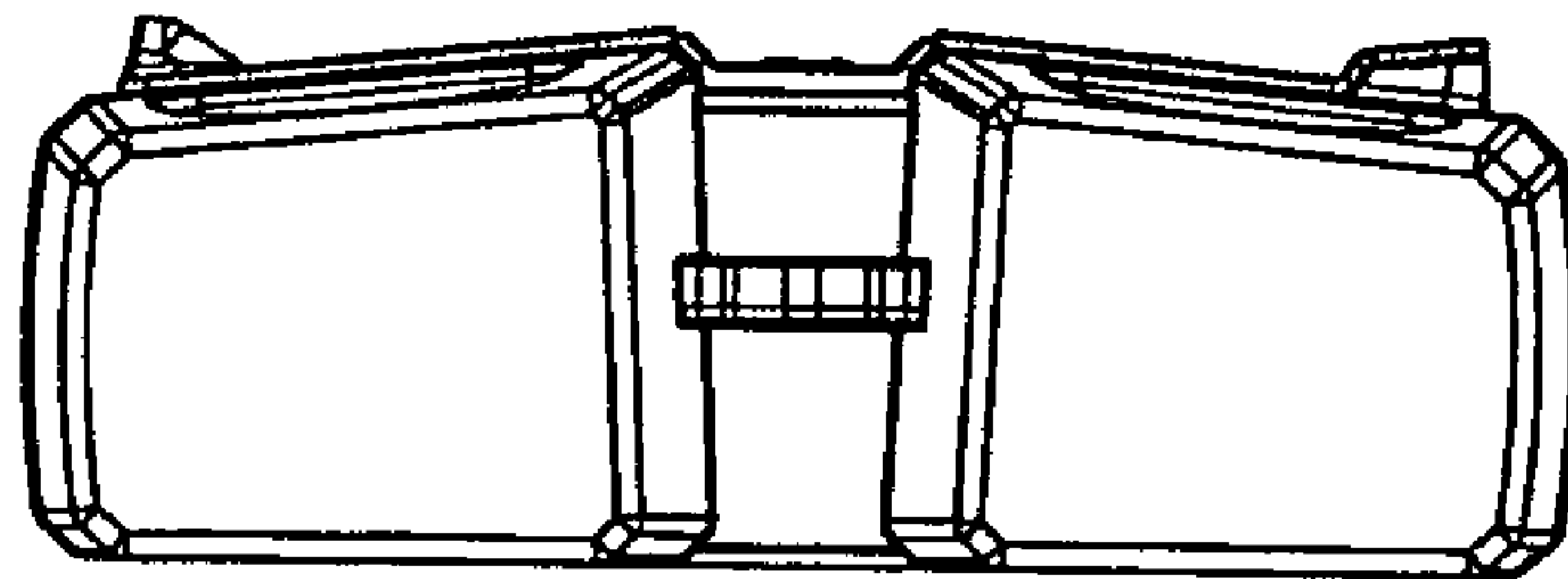


Fig. 5

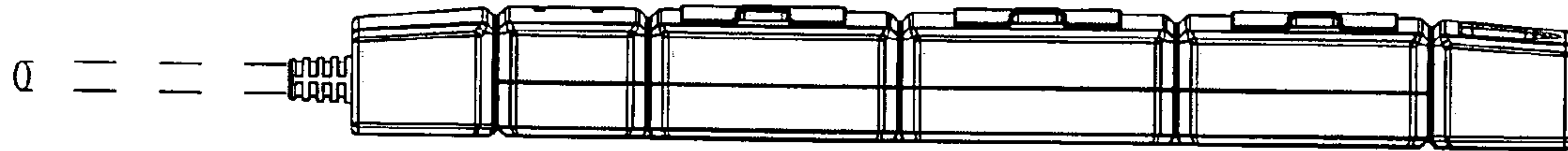


Fig. 6

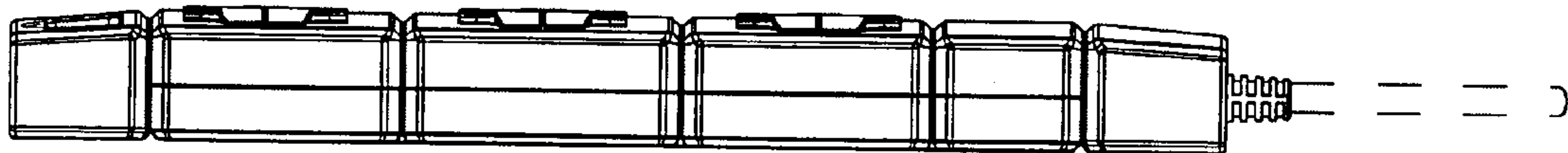


Fig. 7



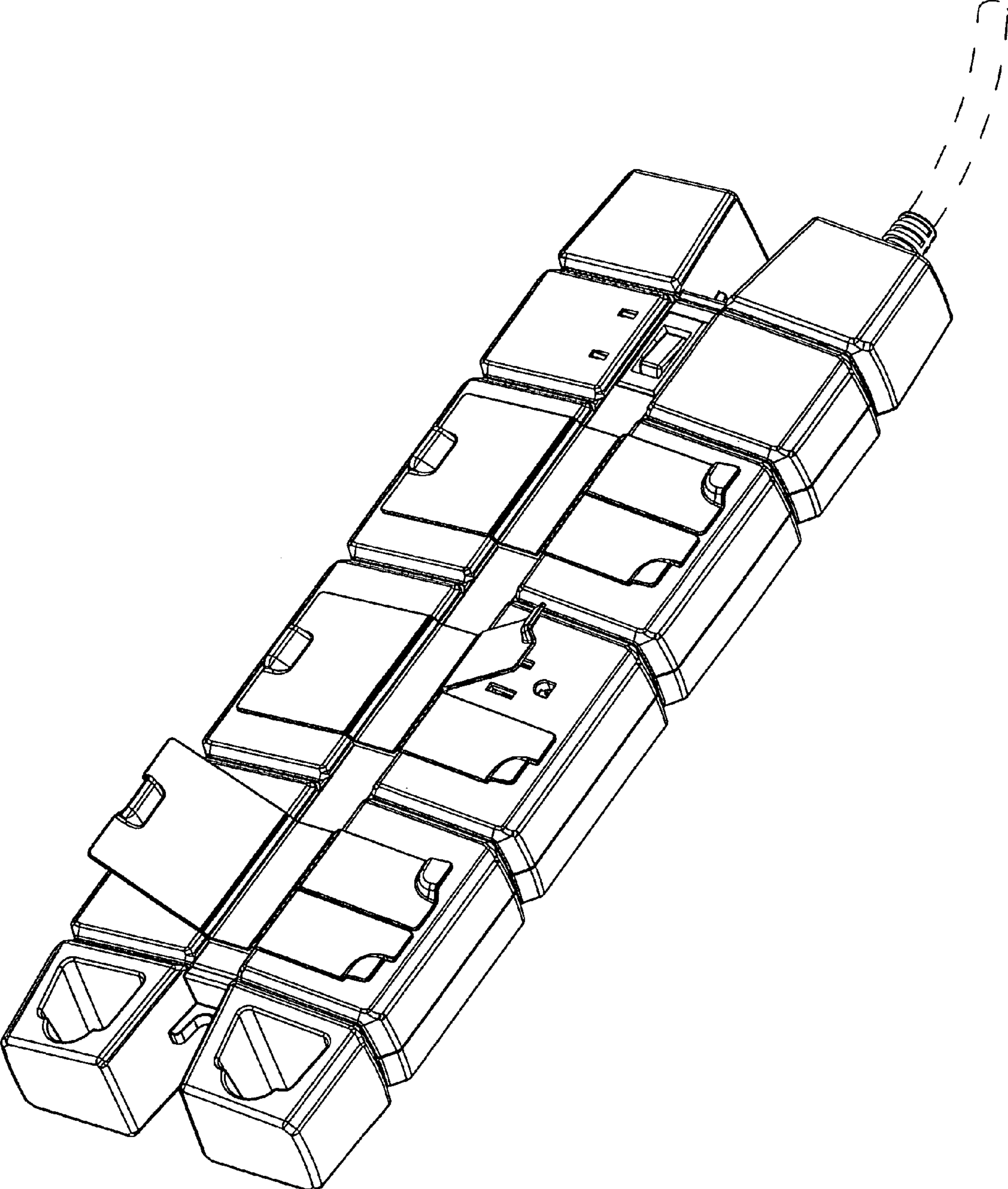


Fig. 8

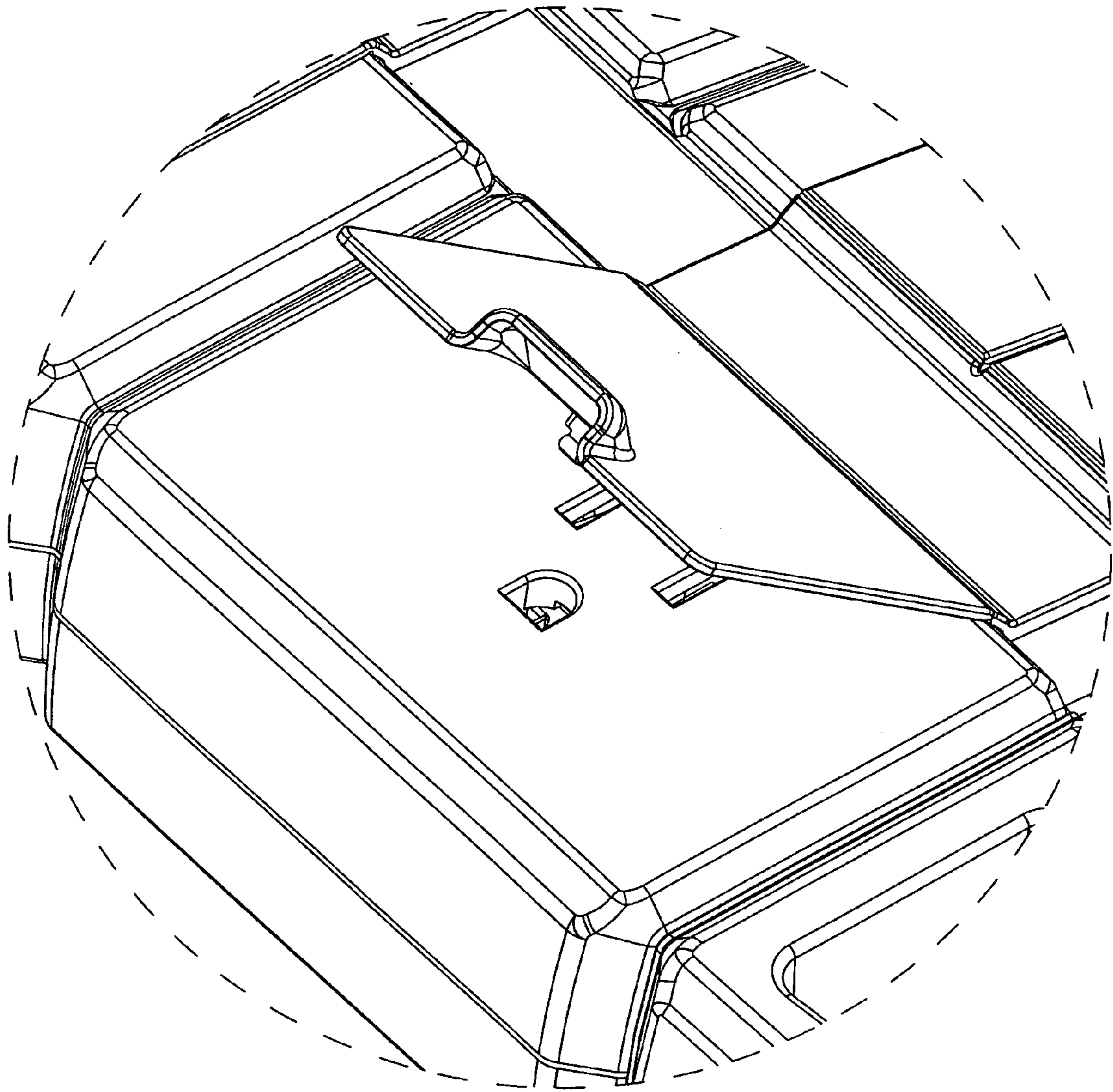


Fig. 9



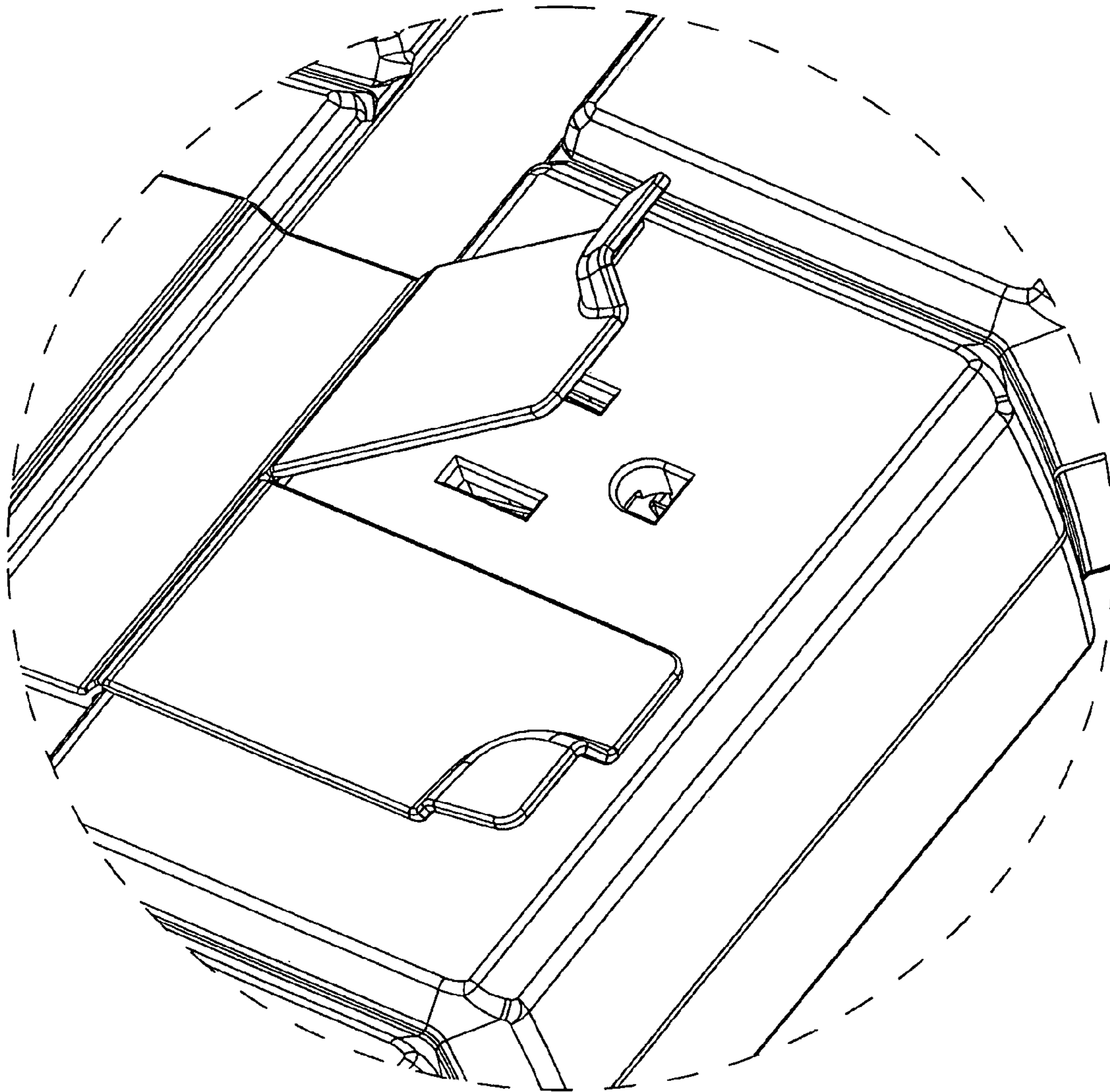


Fig. 10