



US00D547725S

(12) **United States Design Patent**  
**Ciancanelli et al.**

(10) **Patent No.:** **US D547,725 S**

(45) **Date of Patent:** **\*\* Jul. 31, 2007**

(54) **STEPPED PIN BASE CONNECTOR**

6,163,102 A \* 12/2000 Tucker et al. .... 313/113  
6,884,103 B1 \* 4/2005 Kovacs ..... 439/336

(75) Inventors: **Gino J. Ciancanelli**, Southbury, CT  
(US); **Betty Jean Zayas**, Bridgeport,  
CT (US)

\* cited by examiner

*Primary Examiner*—Daniel Bui

(73) Assignee: **LightSources Inc.**, Orange, CT (US)

(74) *Attorney, Agent, or Firm*—Cantor Colburn LLP

(\*\*) Term: **14 Years**

(57) **CLAIM**

(21) Appl. No.: **29/266,660**

The ornamental design for a stepped pin base connector, as shown and described.

(22) Filed: **Sep. 26, 2006**

**DESCRIPTION**

(51) **LOC (8) Cl.** ..... **13-03**

FIG. 1 is a top, front and right side perspective view of a stepped pin base connector, showing our new design;

(52) **U.S. Cl.** ..... **D13/134**

FIG. 2 is a top, rear and left side perspective view thereof;

(58) **Field of Classification Search** ..... D13/133–136,  
D13/154, 184, 199; D26/24, 113; 313/318.01,  
313/318.02, 318.03, 318.05, 318.12; 362/260,  
362/581; 439/168, 220, 226, 232, 280, 336,  
439/419, 602

FIG. 3 is a front elevation view thereof;

FIG. 4 is a rear elevation view thereof;

FIG. 5 is a right side elevation view thereof;

See application file for complete search history.

FIG. 6 is a left side elevation view thereof;

FIG. 7 is a top plan view thereof; and,

FIG. 8 is a bottom plan view thereof.

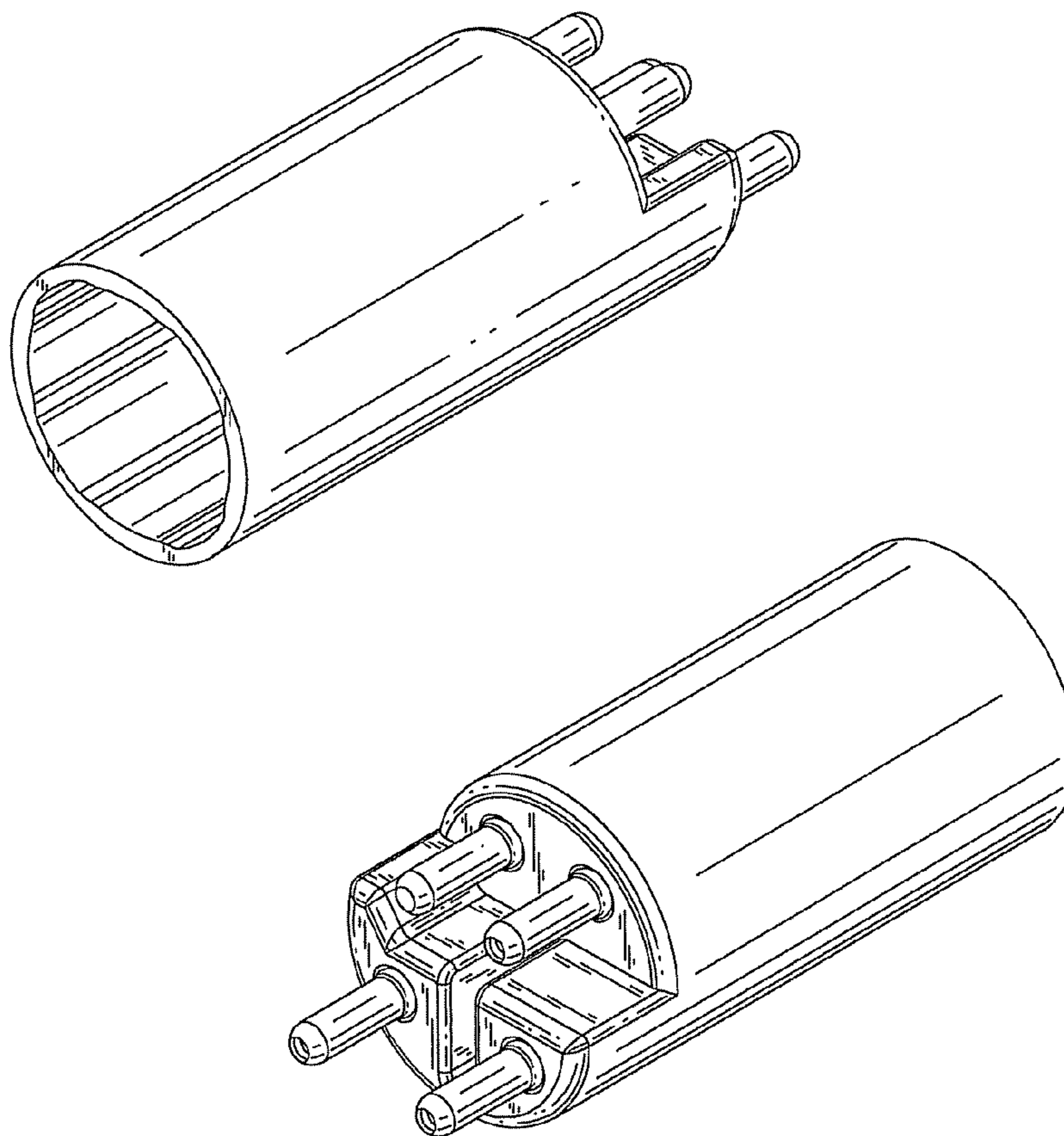
(56) **References Cited**

The broken line showing of the environment is for illustrative purposes only and forms no part of the claimed design.

**U.S. PATENT DOCUMENTS**

2,690,522 A \* 9/1954 Baker ..... 313/258  
D209,054 S \* 10/1967 Baiman et al. .... D13/125  
D210,210 S \* 2/1968 Braiman ..... D13/125  
D330,336 S \* 10/1992 Baarman ..... D10/49

**1 Claim, 2 Drawing Sheets**



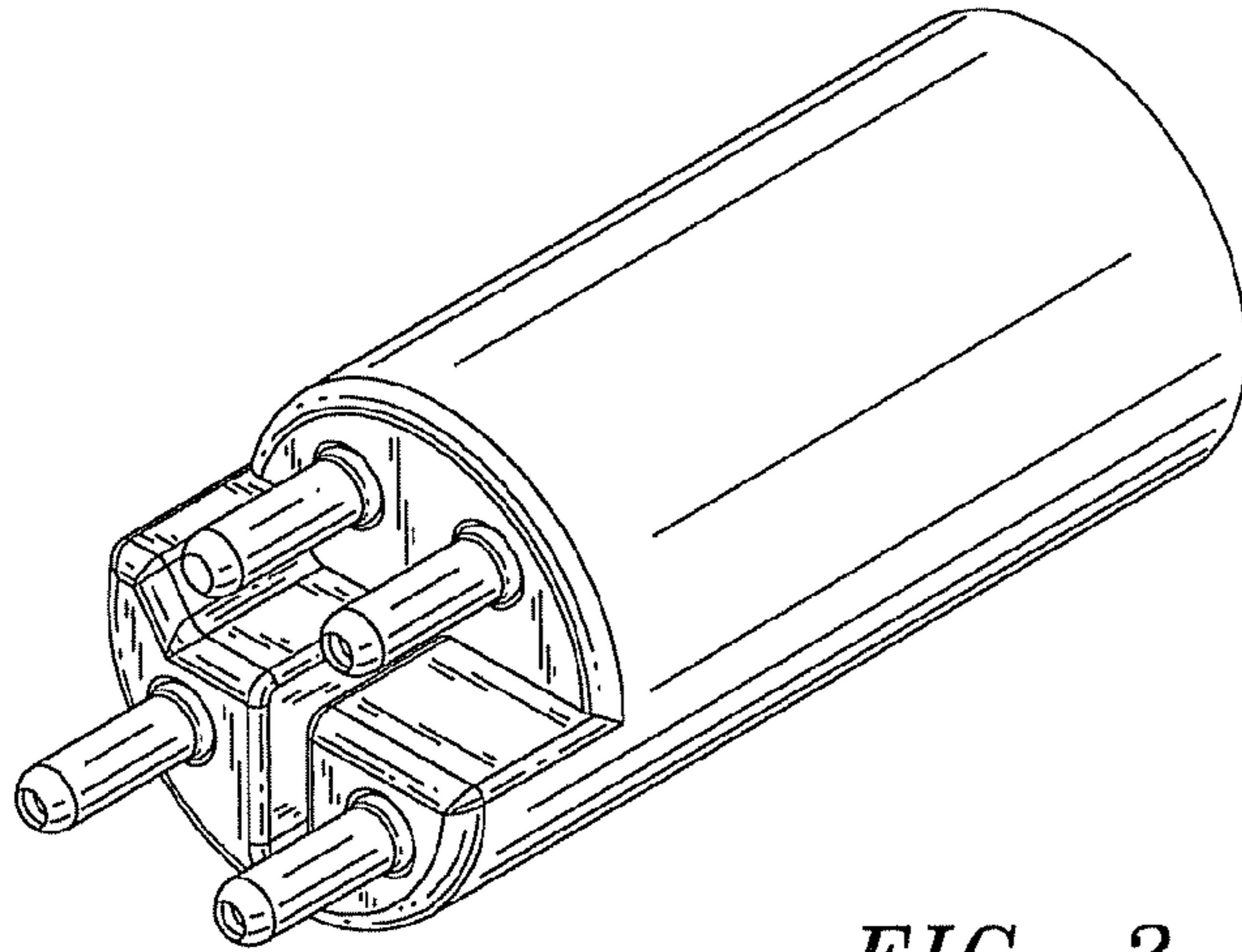


FIG. 2

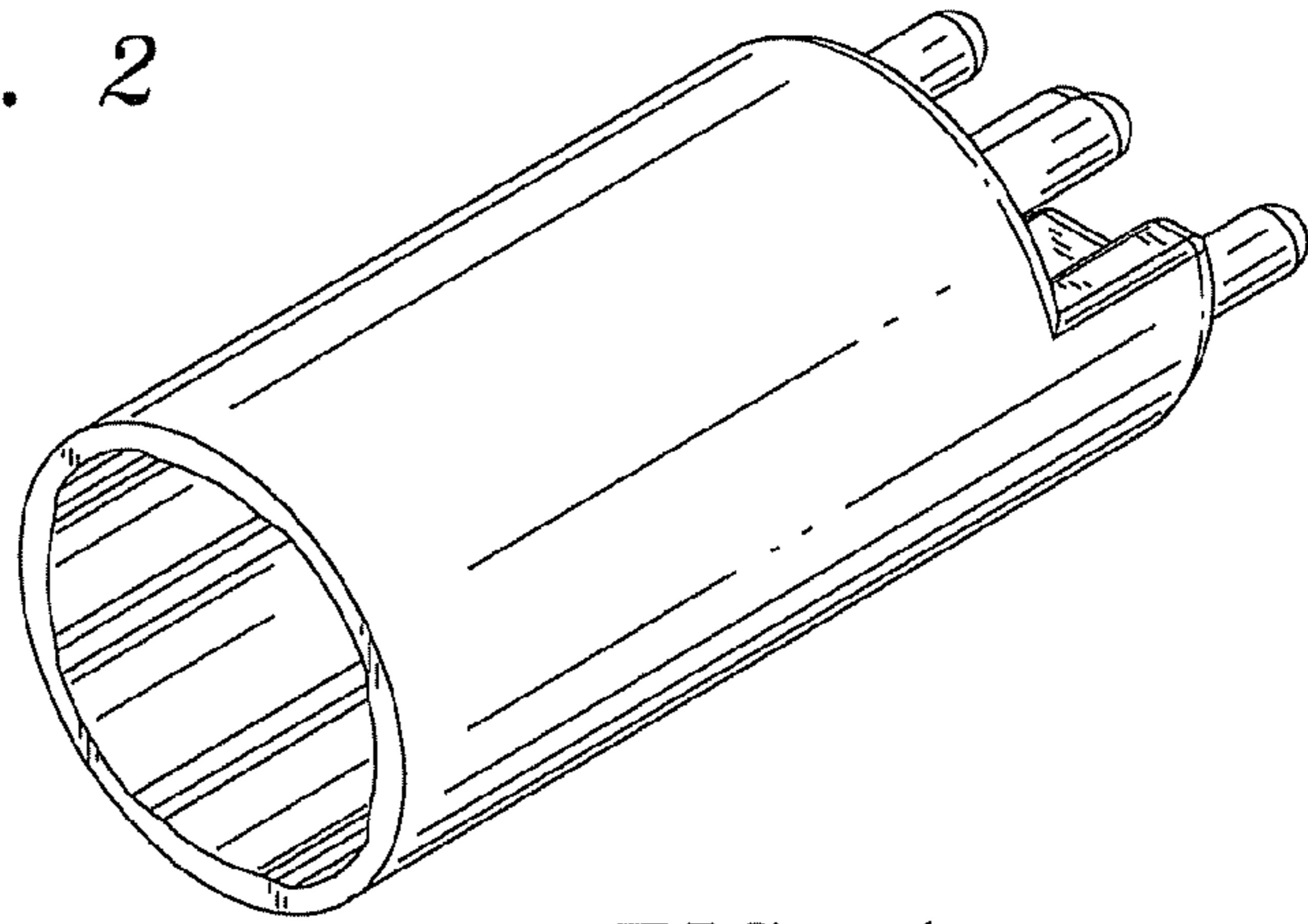


FIG. 1

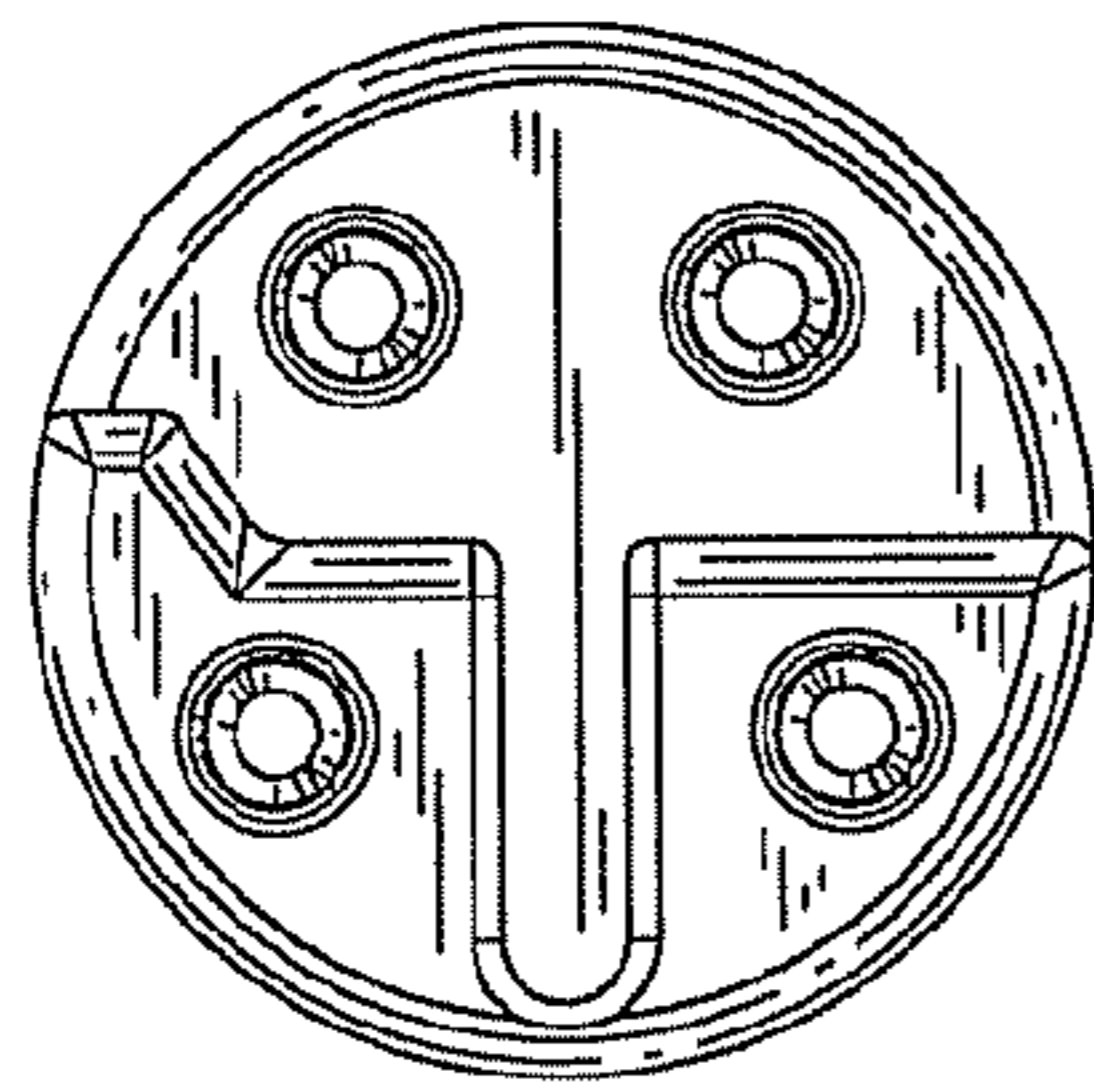


FIG. 3

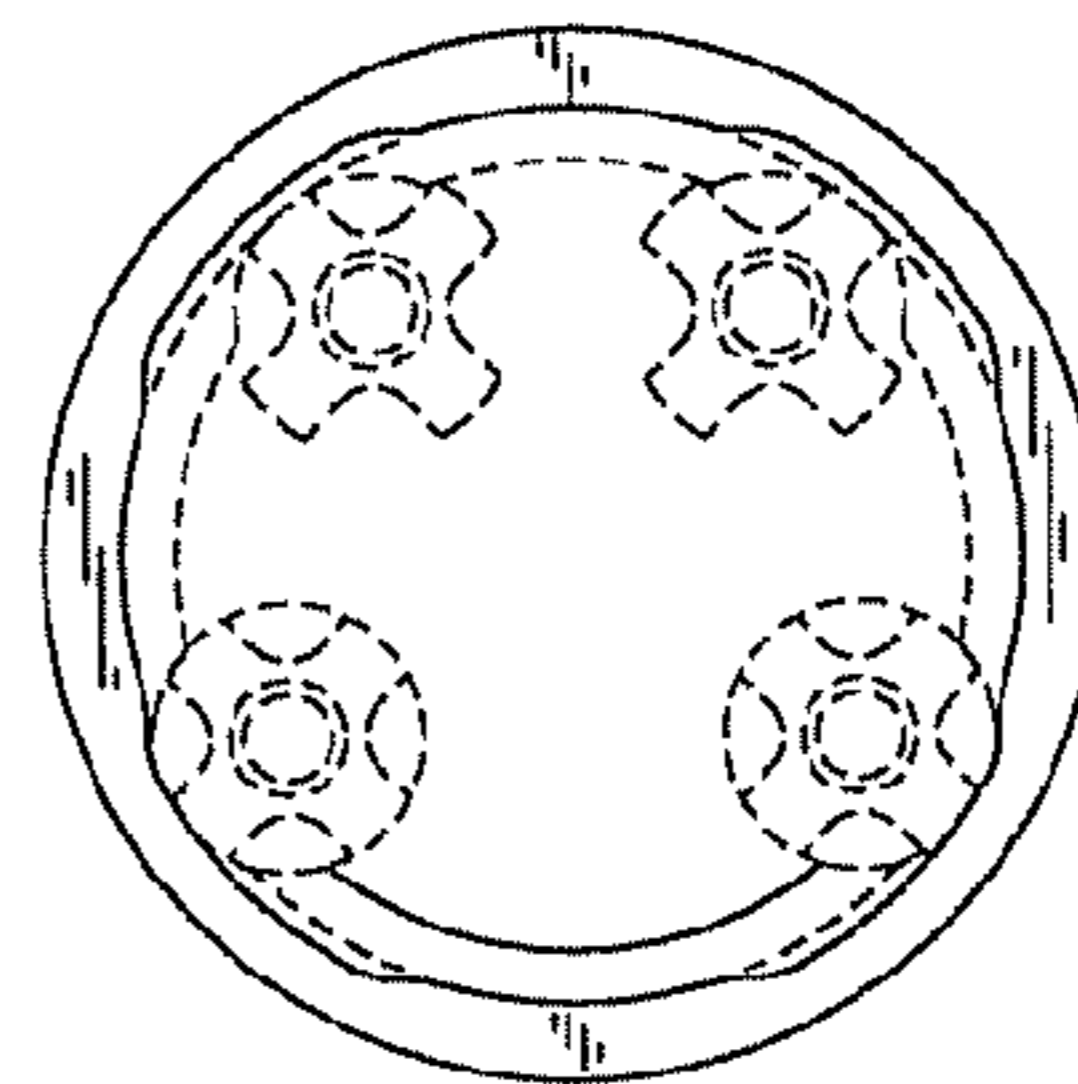


FIG. 4

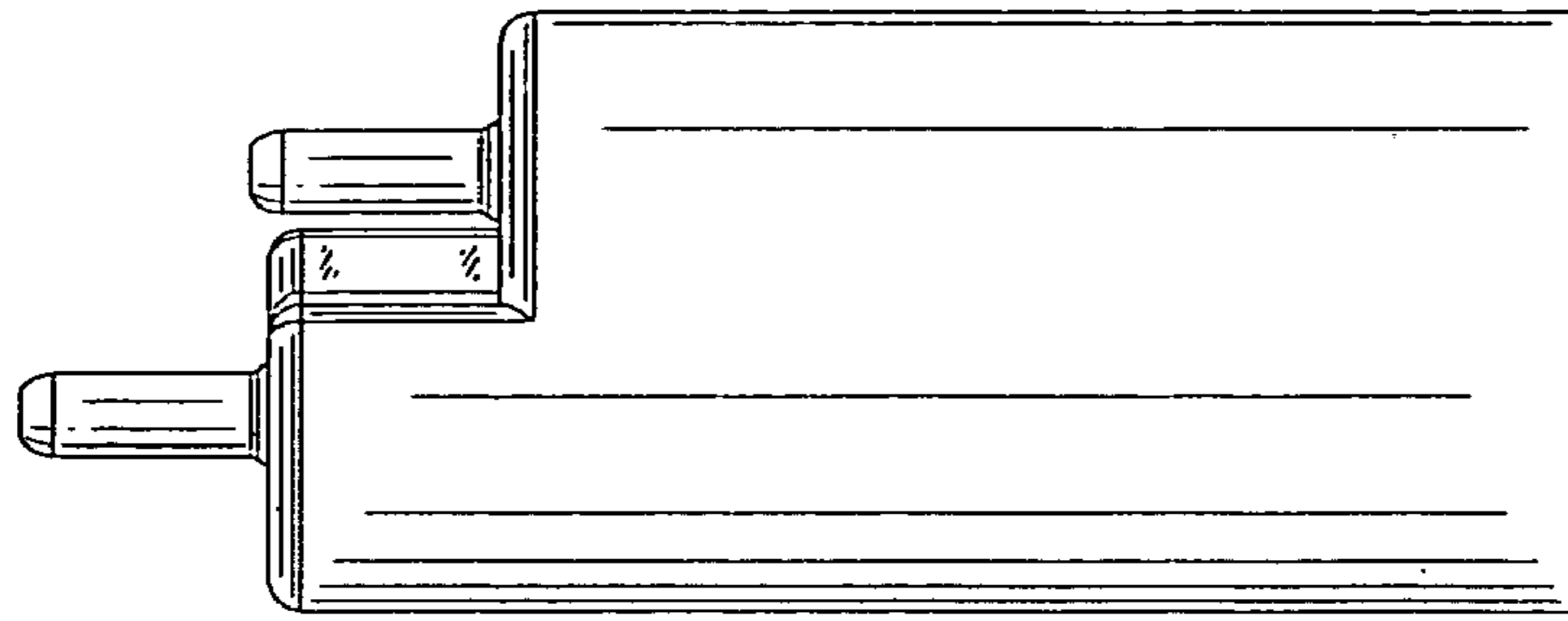


FIG. 5

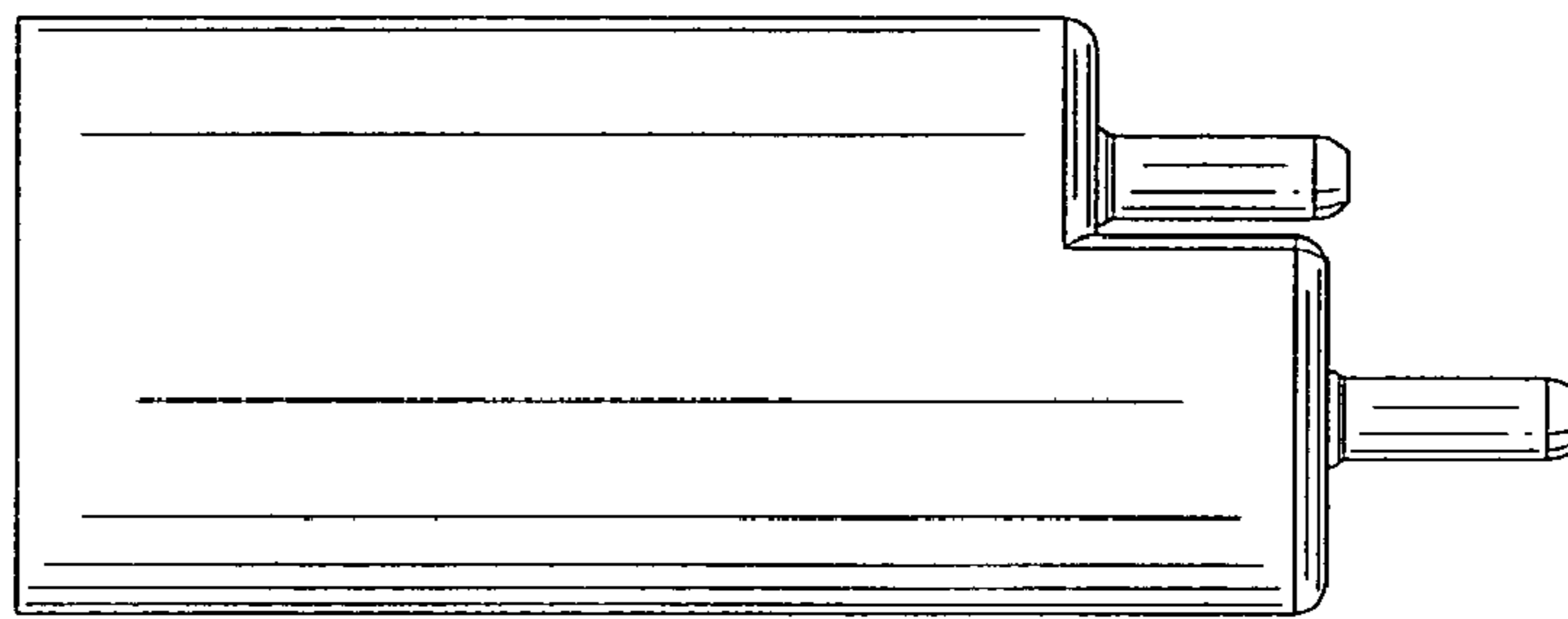


FIG. 6

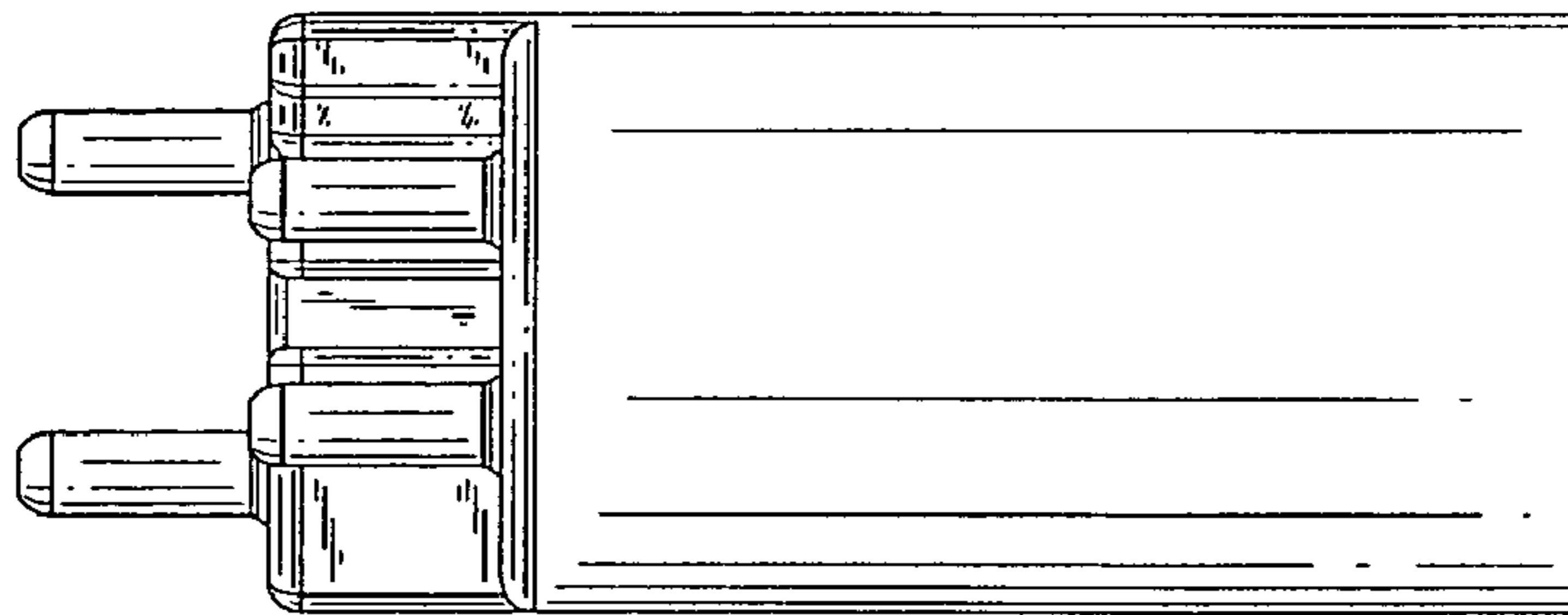


FIG. 7

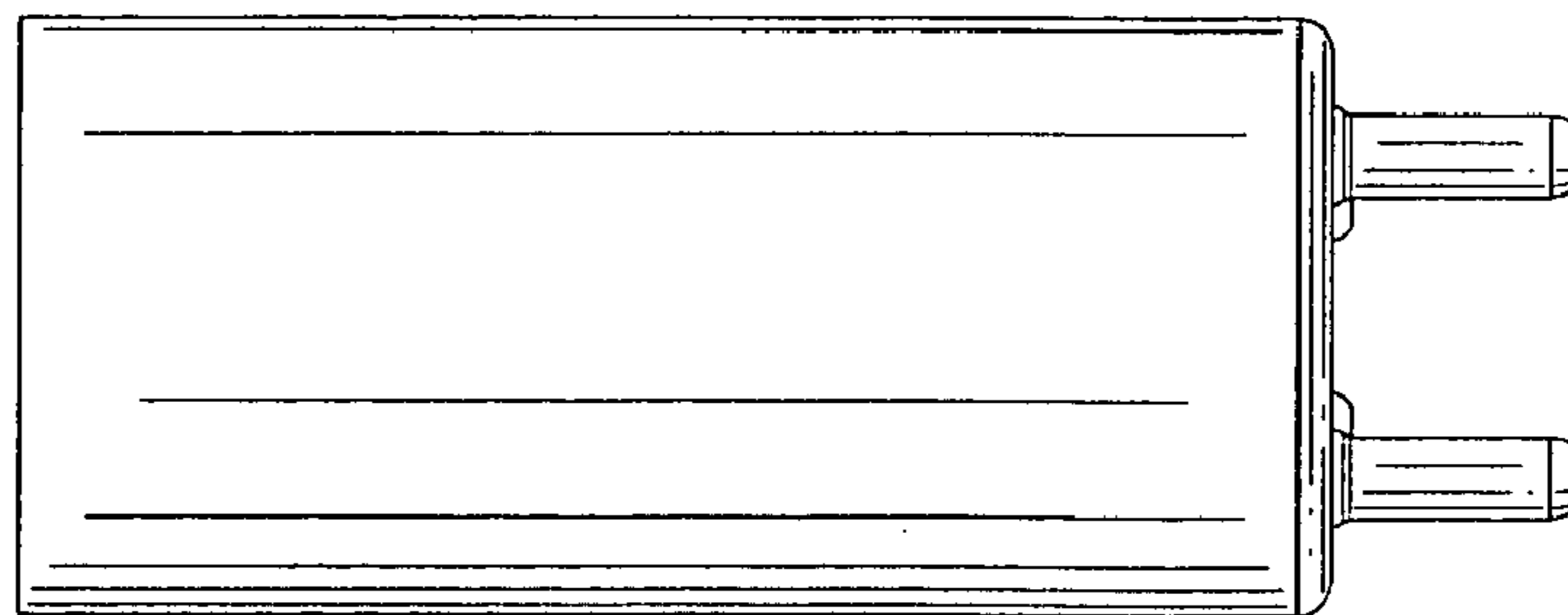


FIG. 8