

US00D547722S

(12) **United States Design Patent**
Harano et al.

(10) **Patent No.:** **US D547,722 S**
(45) **Date of Patent:** **** Jul. 31, 2007**

(54) **CONNECTOR FOR PHOTOELECTRIC CONVERSION**

(75) Inventors: **Tomokazu Harano**, Tsu (JP); **Mitsuru Iida**, Yokohama (JP); **Shunsuke Hashimoto**, Tsu (JP)

(73) Assignee: **Matsushita Electric Works, Ltd.**, Osaka (JP)

(**) Term: **14 Years**

(21) Appl. No.: **29/243,150**

(22) Filed: **Nov. 18, 2005**

(30) **Foreign Application Priority Data**

May 18, 2005 (JP) 2005-014270

(51) **LOC (8) Cl.** **13-03**

(52) **U.S. Cl.** **D13/133**

(58) **Field of Classification Search** D13/101, D13/123, 133, 146, 147, 149, 153, 154; D16/130, D16/136, 242, 245; 385/15, 25, 31, 39; 439/246, 445, 532-533, 607-610, 888-889, 439/894, 943, 948, 954
See application file for complete search history.

(56) **References Cited**

U.S. PATENT DOCUMENTS

D345,343 S * 3/1994 Nakamura D13/147
5,415,571 A * 5/1995 Lutsch 439/843
D365,325 S * 12/1995 Hamada et al. D13/133
5,528,088 A * 6/1996 Gallusser et al. 307/104
D419,135 S * 1/2000 Wu et al. D13/147
6,926,557 B1 * 8/2005 Yamaguchi et al. 439/607

FOREIGN PATENT DOCUMENTS

JP 1203392 4/2004

OTHER PUBLICATIONS

Most Connectors ML-940, MC-941, Mitsui, 4 pages.
Optical Interconnection System, OASIS, 1 page.
Optical connectors for MOST, Furukawa Electric Co., Ltd. 2001, 2 pages.
New Release, MOST Optical Connectors: HVE0178, Hosiden Corporation, 2002, 1 page.

* cited by examiner

Primary Examiner—Daniel Bui
(74) *Attorney, Agent, or Firm*—Osha Liang LLP

(57) **CLAIM**

The ornamental design for a connector for photoelectric conversion, as shown and described.

DESCRIPTION

FIG. 1 is a top, front and left side perspective view of a connector for photoelectric conversion, showing our new design;

FIG. 2 is a bottom, rear and left side perspective view thereof;

FIG. 3 is a top, front and left side perspective view thereof, in use condition;

FIG. 4 is a top plan view thereof;

FIG. 5 is a bottom plan view thereof;

FIG. 6 is a rear elevation view thereof;

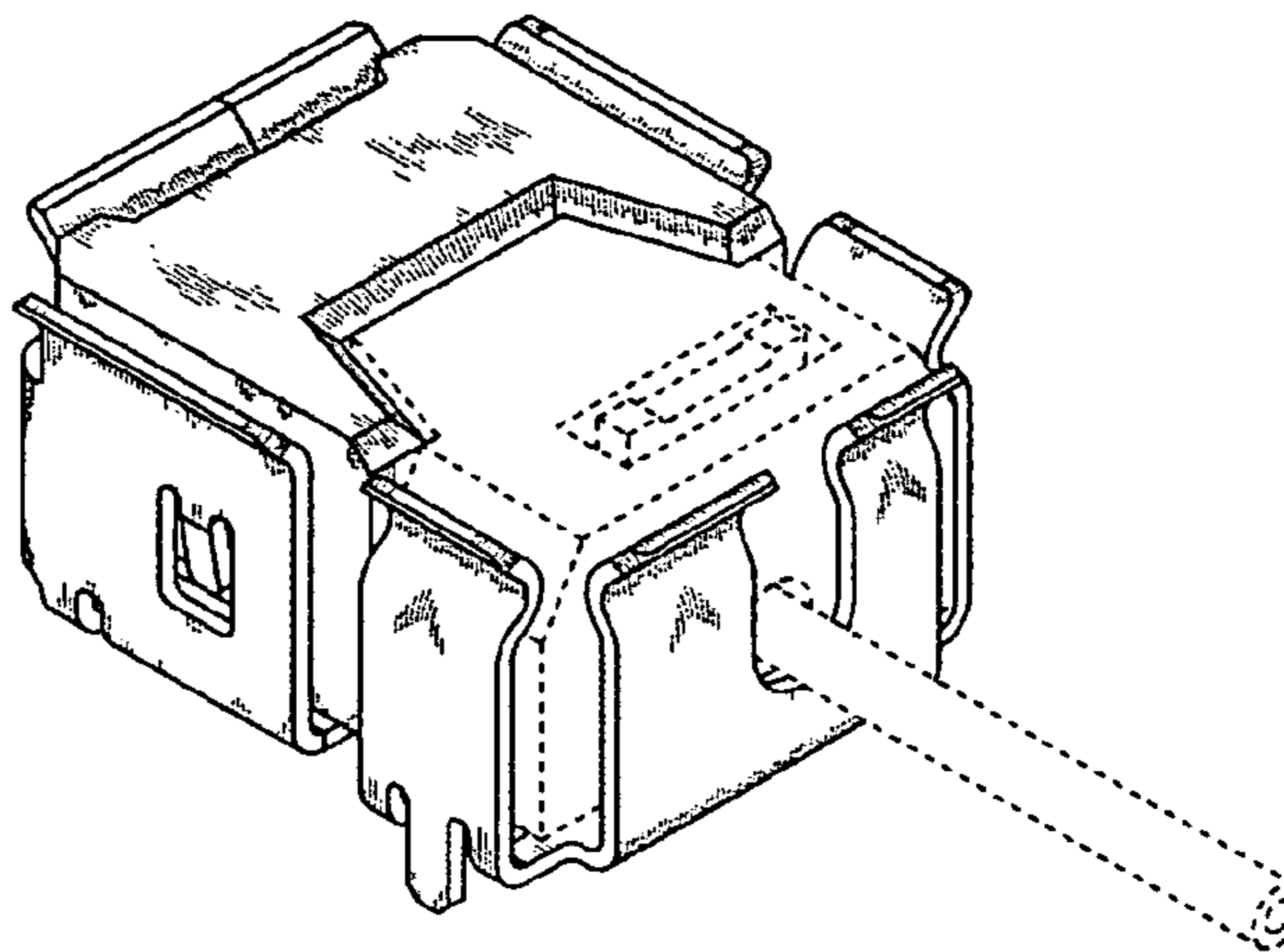
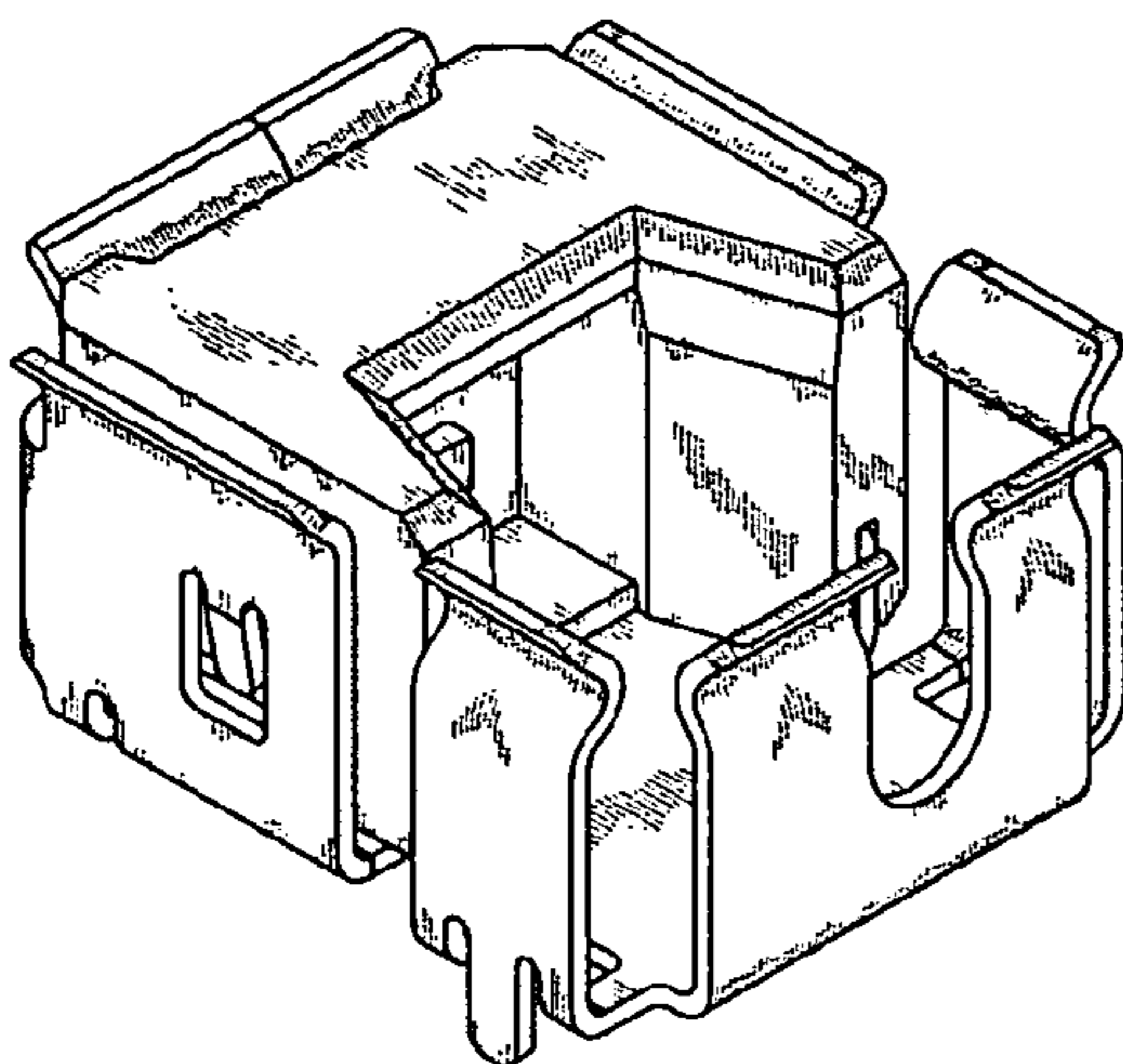
FIG. 7 is a front elevation view thereof;

FIG. 8 is a left side elevation view thereof; and,

FIG. 9 is a right side elevation view thereof.

The broken line showing of the environment is for illustrative purposes only and forms no part of the claimed design.

1 Claim, 4 Drawing Sheets



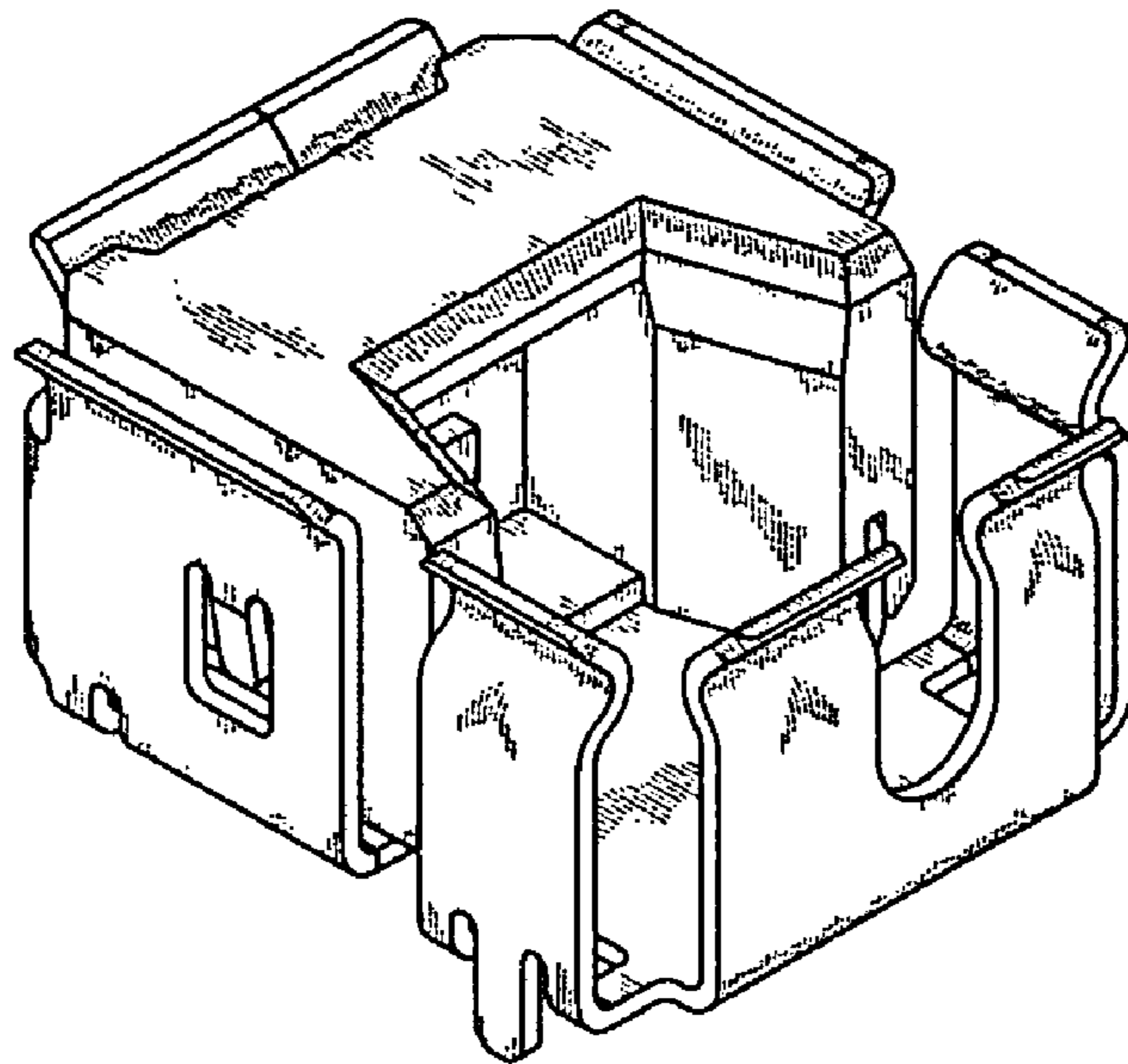


FIG. 1

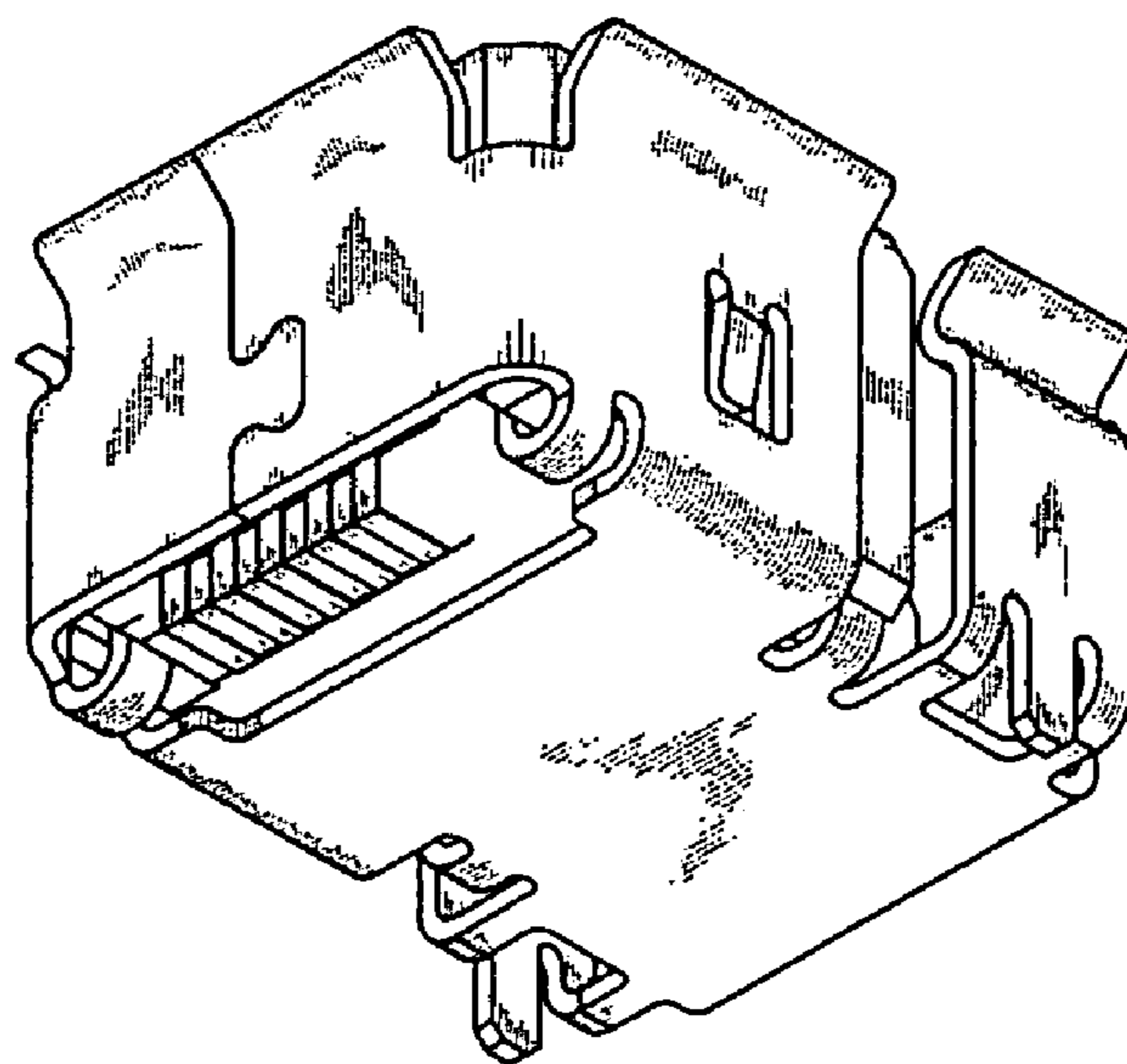


FIG. 2

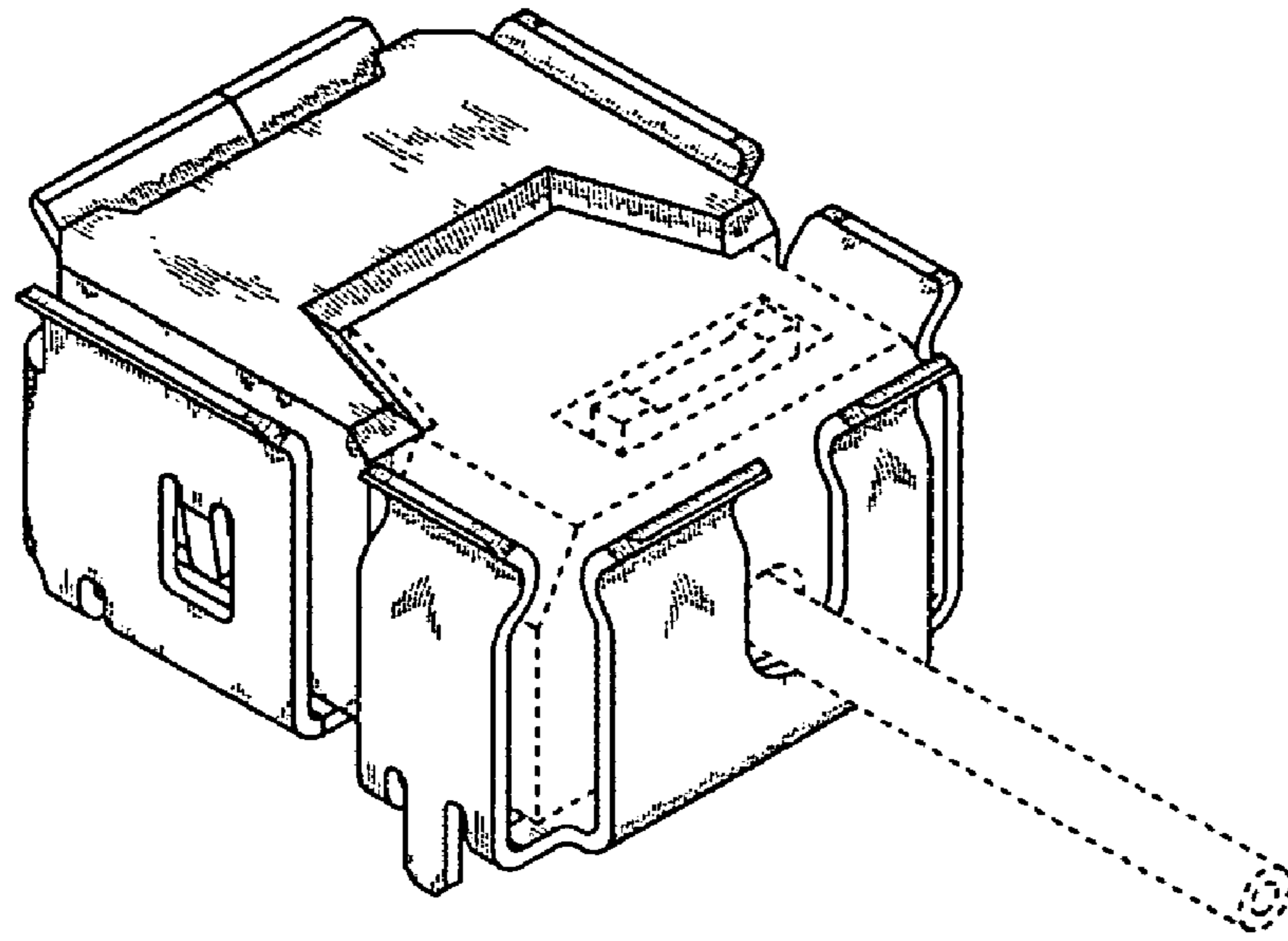


FIG. 3

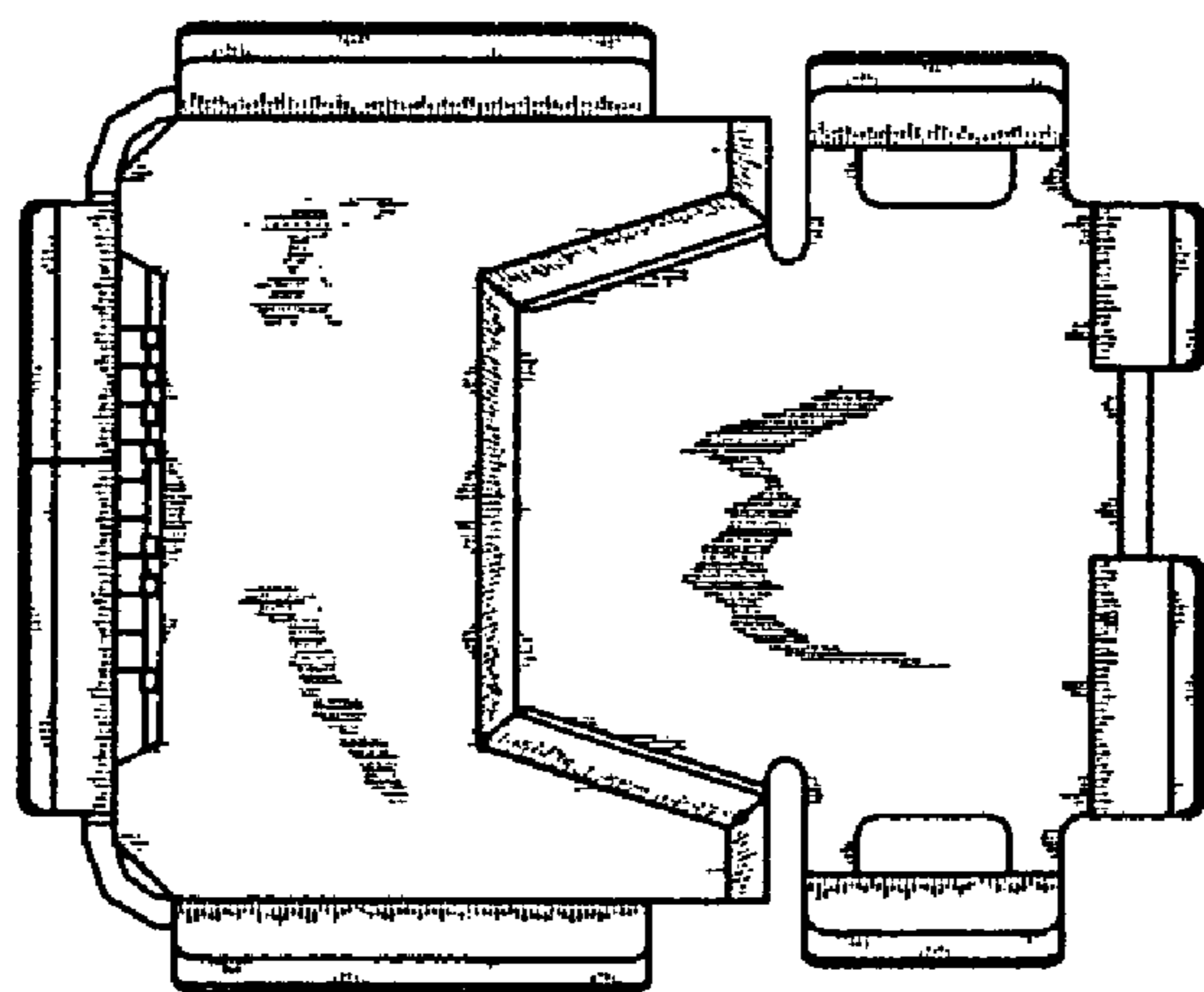


FIG. 4

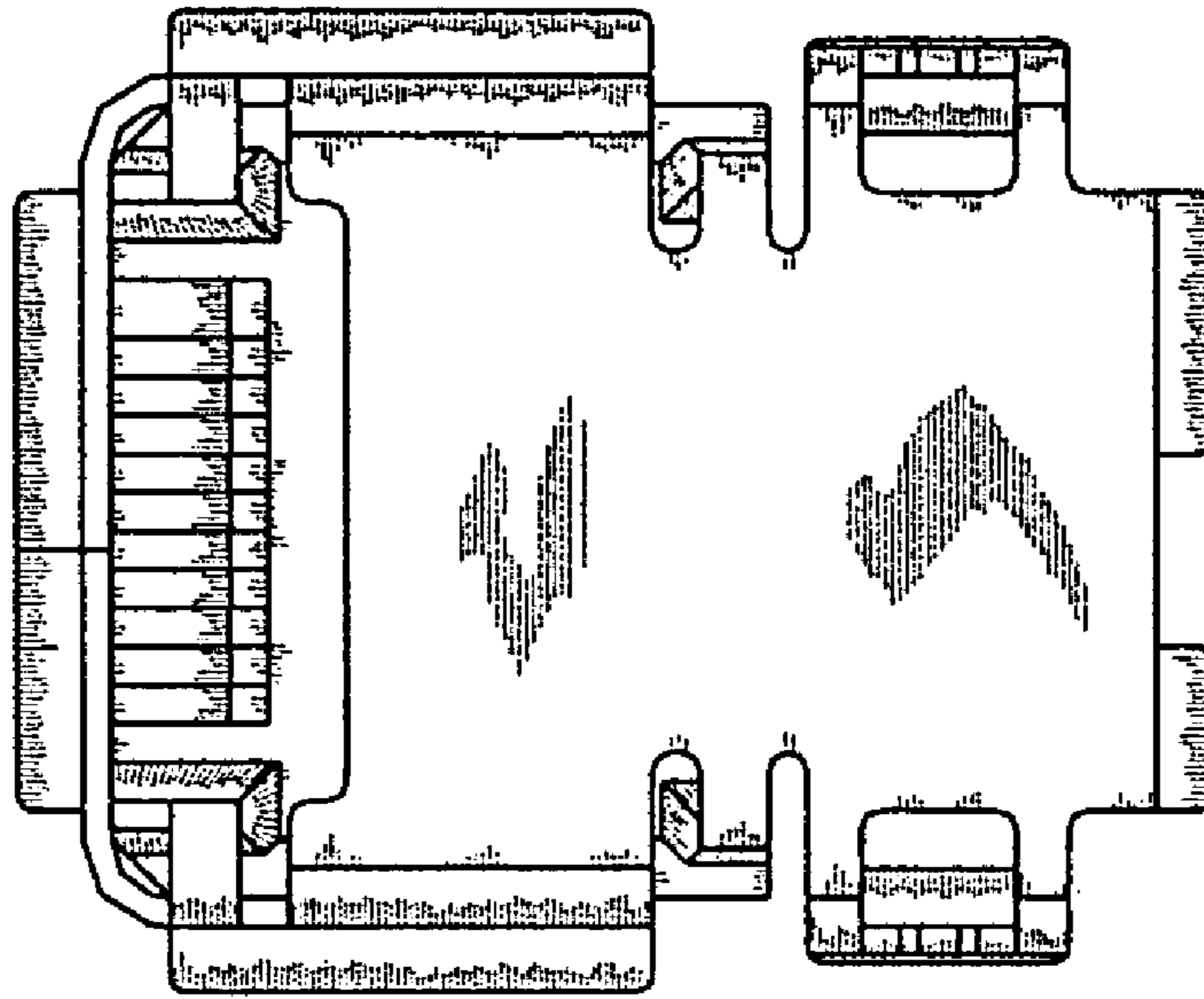


FIG. 5

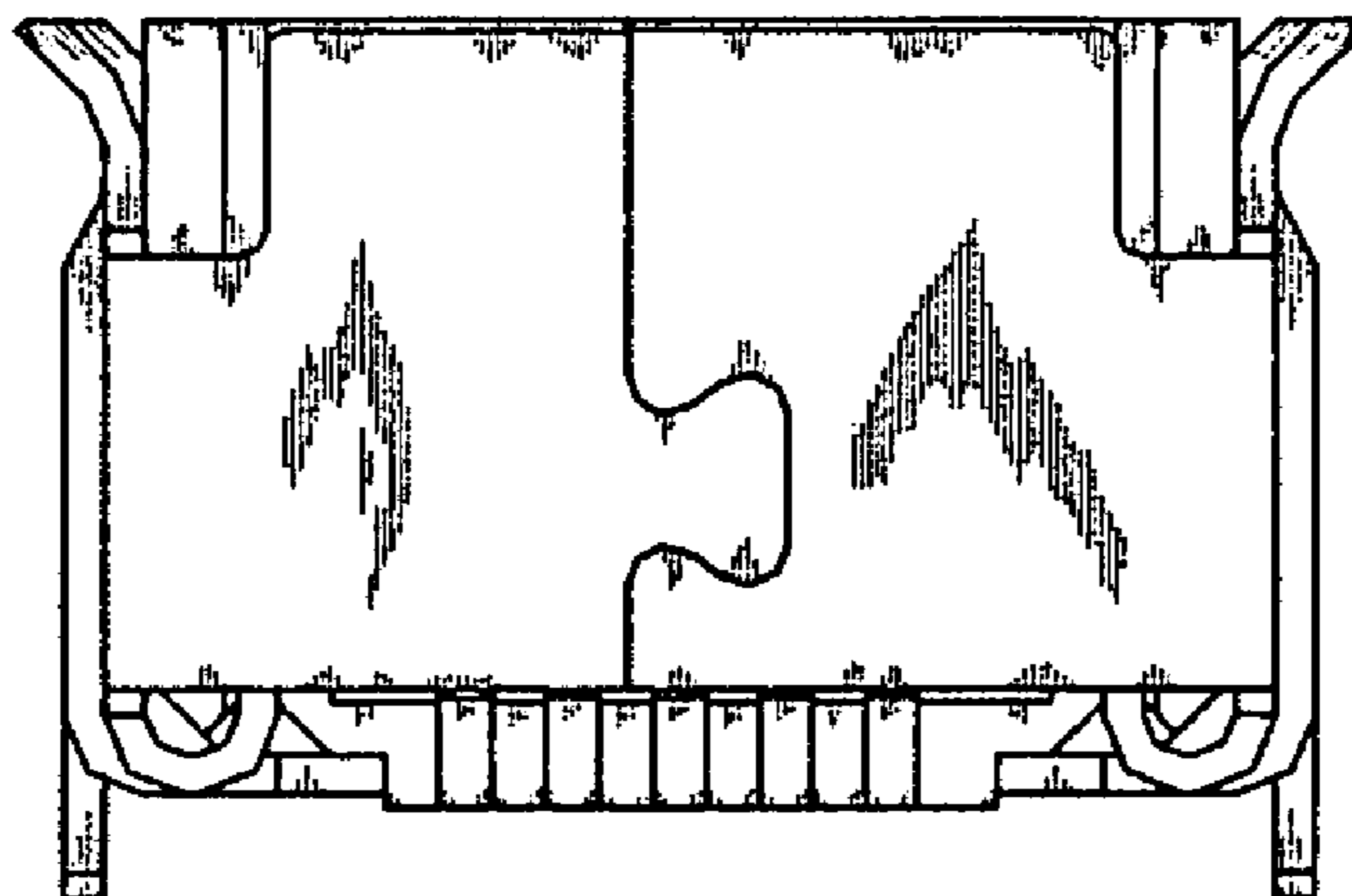


FIG. 6



FIG. 7

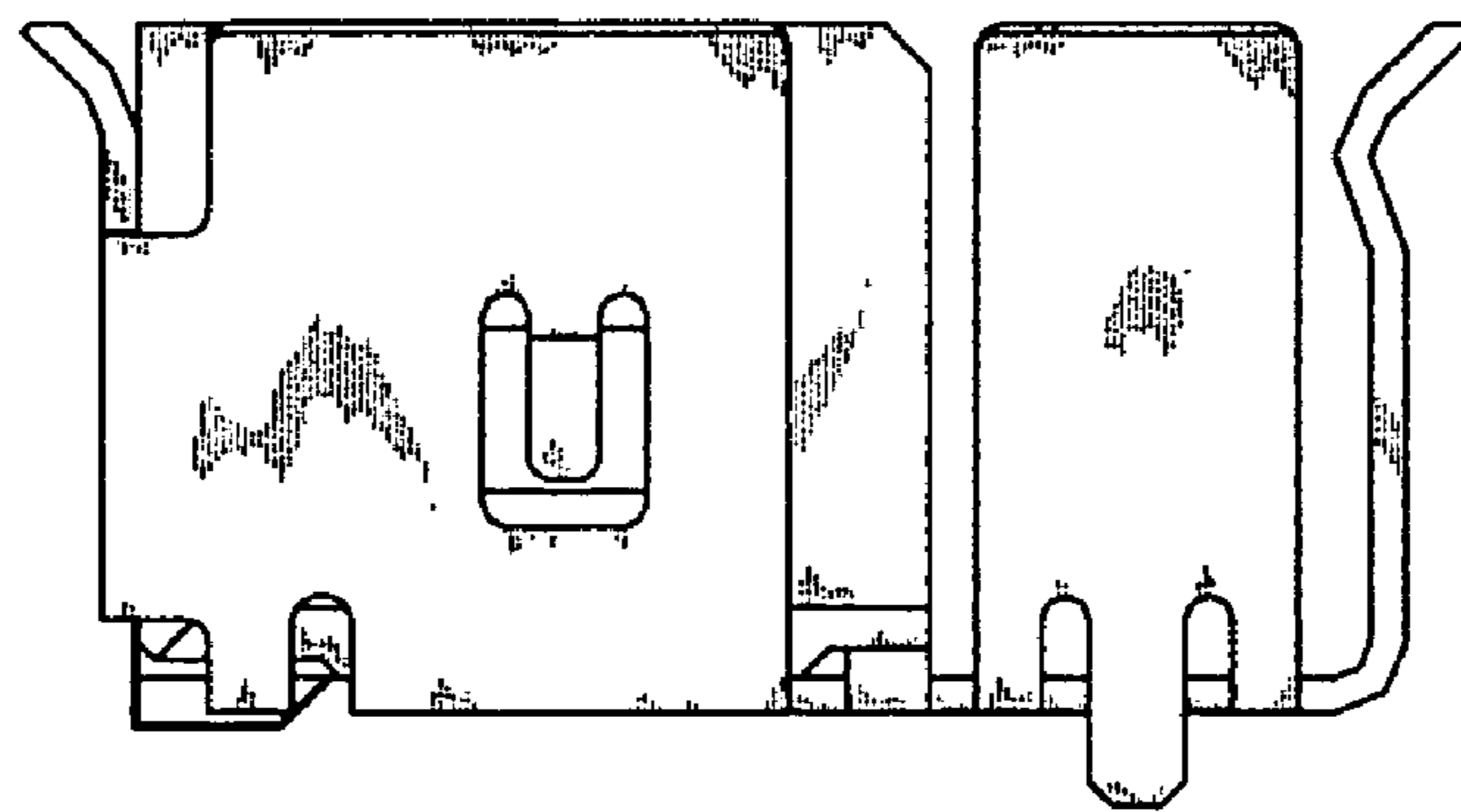


FIG. 8

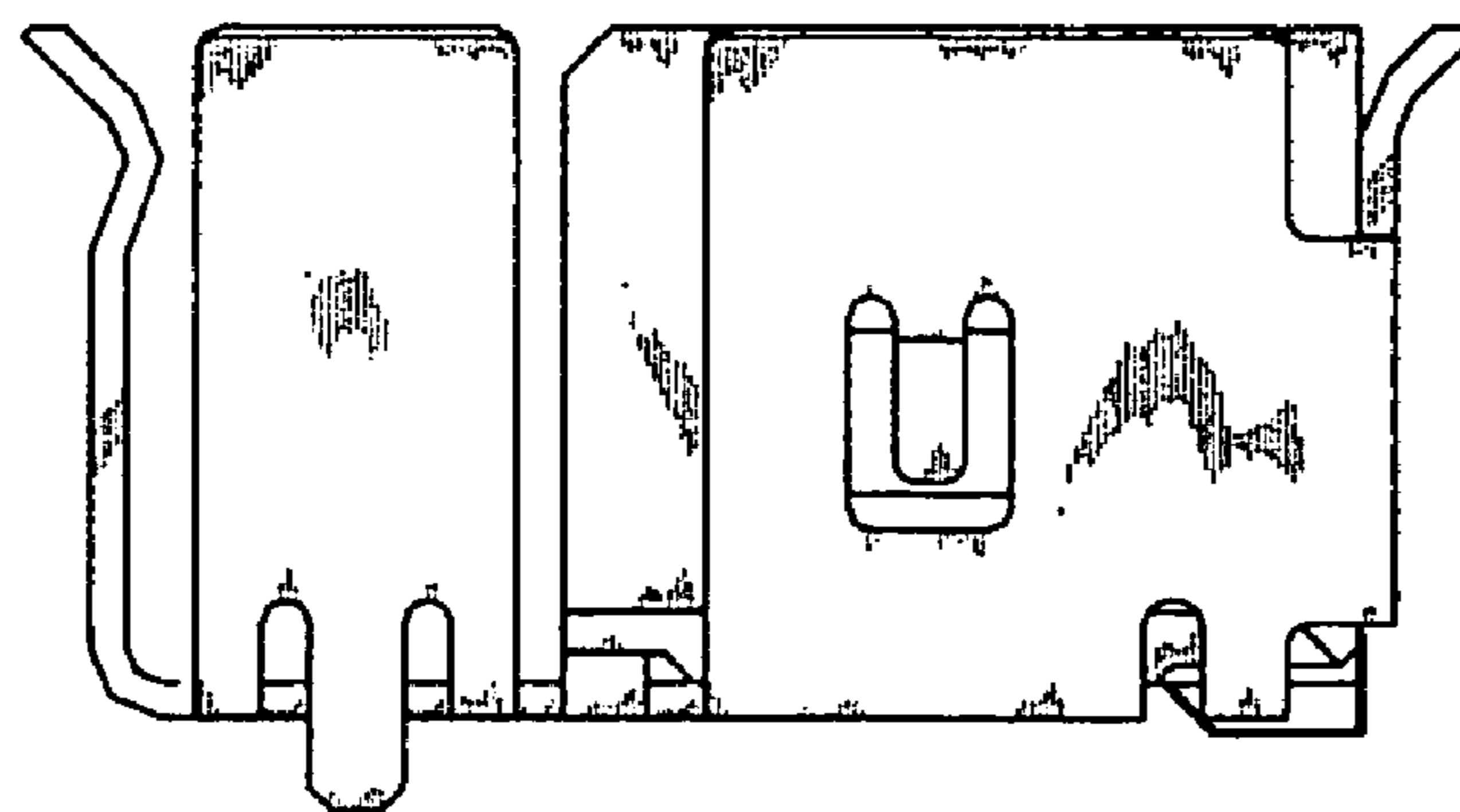


FIG. 9