



US00D547720S

(12) **United States Design Patent**
Katoh et al.

(10) **Patent No.:** **US D547,720 S**
(45) **Date of Patent:** **** Jul. 31, 2007**

(54) **CAPACITOR CELL**

(75) Inventors: **Hisashi Katoh**, Wako (JP); **Norifumi Yasuda**, Wako (JP); **Koichi Yamamoto**, Wako (JP); **Shinichi Kaneda**, Yokohama (JP); **Mitsuyoshi Saito**, Tokyo (JP)

(73) Assignees: **Honda Motor Co., Ltd.**, Tokyo (JP); **Toyo Seikan Kaisha, Ltd.**, Tokyo (JP)

(**) Term: **14 Years**

(21) Appl. No.: **29/242,431**

(22) Filed: **Nov. 10, 2005**

(30) **Foreign Application Priority Data**

May 12, 2005 (JP) 2005-013603

(51) **LOC (8) Cl.** **13-03**

(52) **U.S. Cl.** **D13/125**

(58) **Field of Classification Search** D13/123, D13/125, 133, 154, 184; 361/271, 277, 301.1, 361/301.2, 301.3, 301.4, 328-329, 763; 438/171, 438/190, 238-239, 381, 386, 393, 396
See application file for complete search history.

(56) **References Cited**

U.S. PATENT DOCUMENTS

D216,797 S * 3/1970 Brown et al. D13/125

D246,453 S * 11/1977 Chermak et al. D13/125
6,576,523 B1 * 6/2003 Honda et al. 438/381
D494,931 S * 8/2004 Kubota et al. D13/125
7,105,418 B2 * 9/2006 Joo 438/396
2006/0262482 A1 * 11/2006 Yamamoto et al. 361/329

* cited by examiner

Primary Examiner—Daniel Bui
(74) *Attorney, Agent, or Firm*—Arent Fox LLP

(57) **CLAIM**

The ornamental design for a capacitor cell, as shown and described.

DESCRIPTION

FIG. 1 is a front elevation view of a capacitor cell, showing our new design;
FIG. 2 is a rear elevation view thereof;
FIG. 3 is a top plan view thereof;
FIG. 4 is a bottom plan view thereof;
FIG. 5 is a left side elevation view thereof;
FIG. 6 is a right side elevation view thereof;
FIG. 7 is a top, left side perspective view thereof; and,
FIG. 8 is a bottom, left side perspective view thereof.

1 Claim, 4 Drawing Sheets

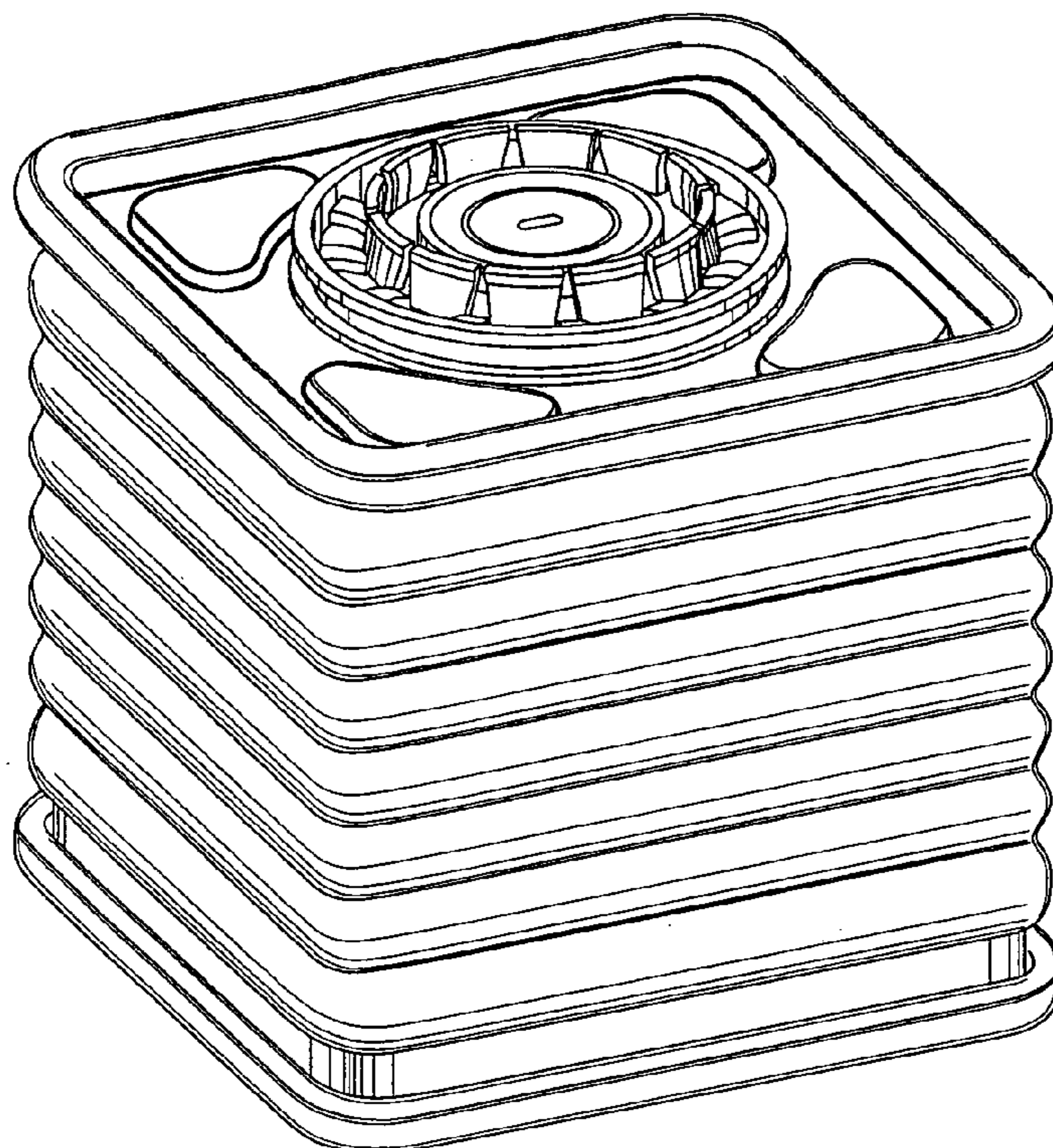


FIG.1

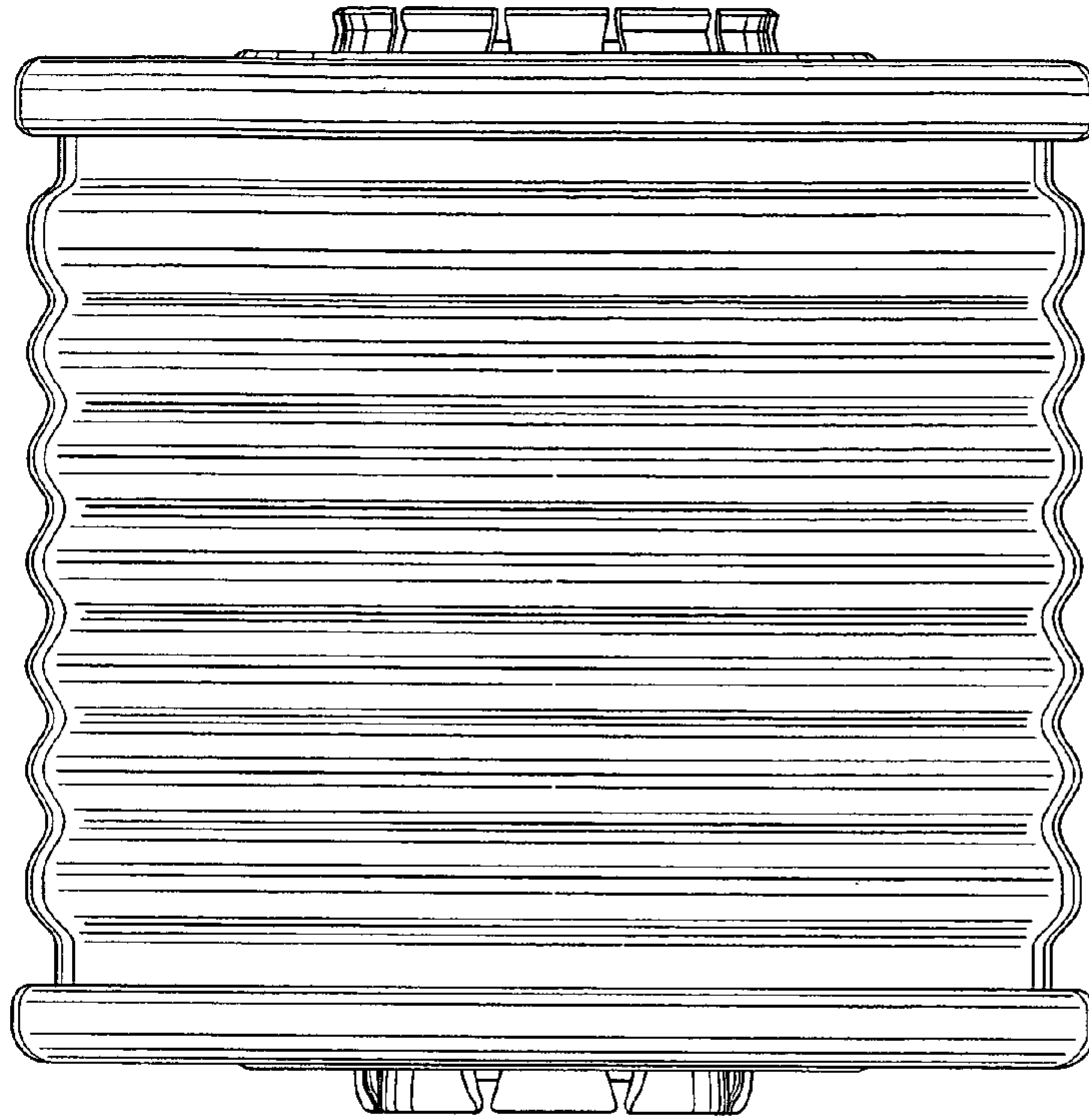


FIG.2

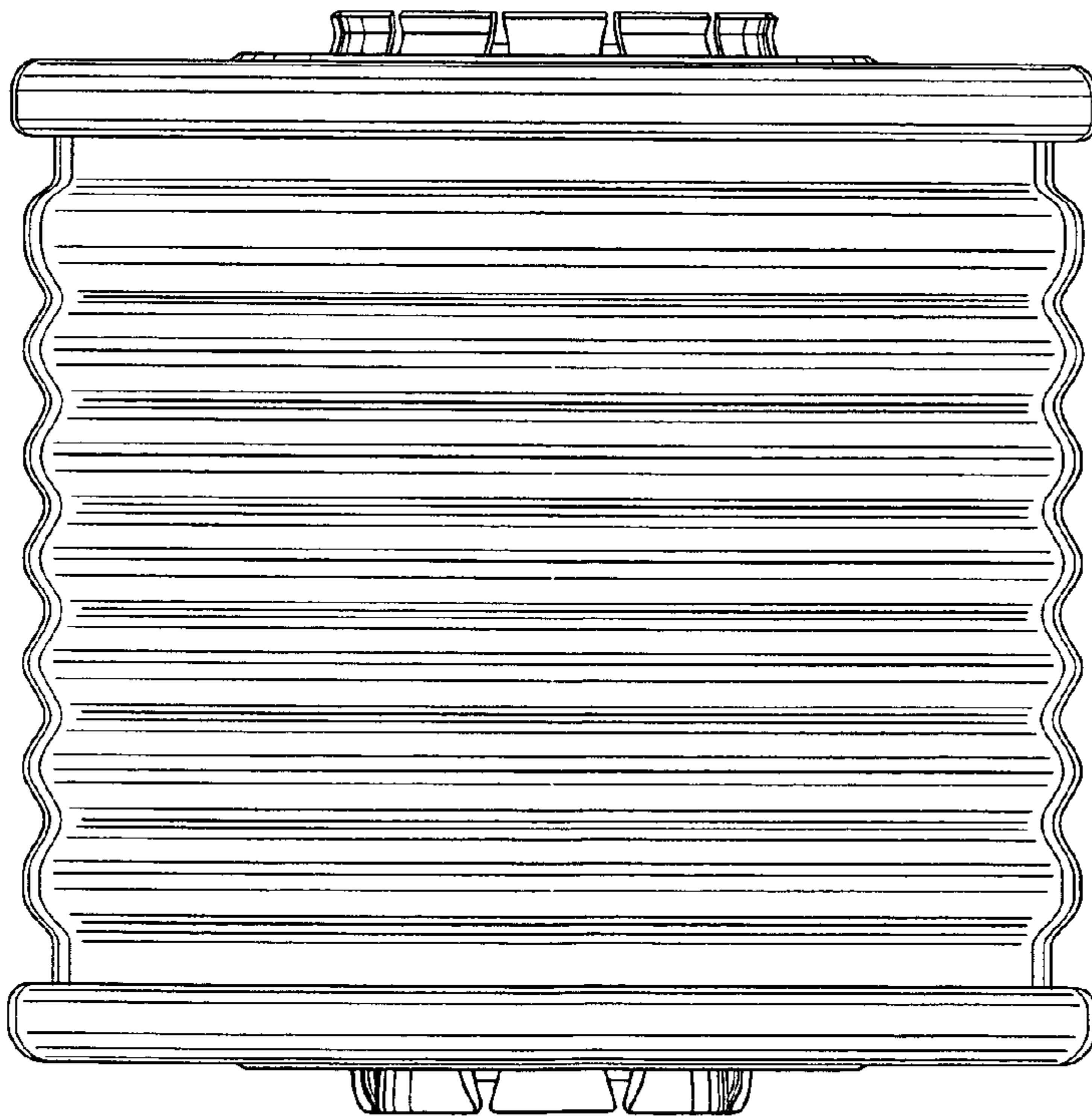


FIG.3

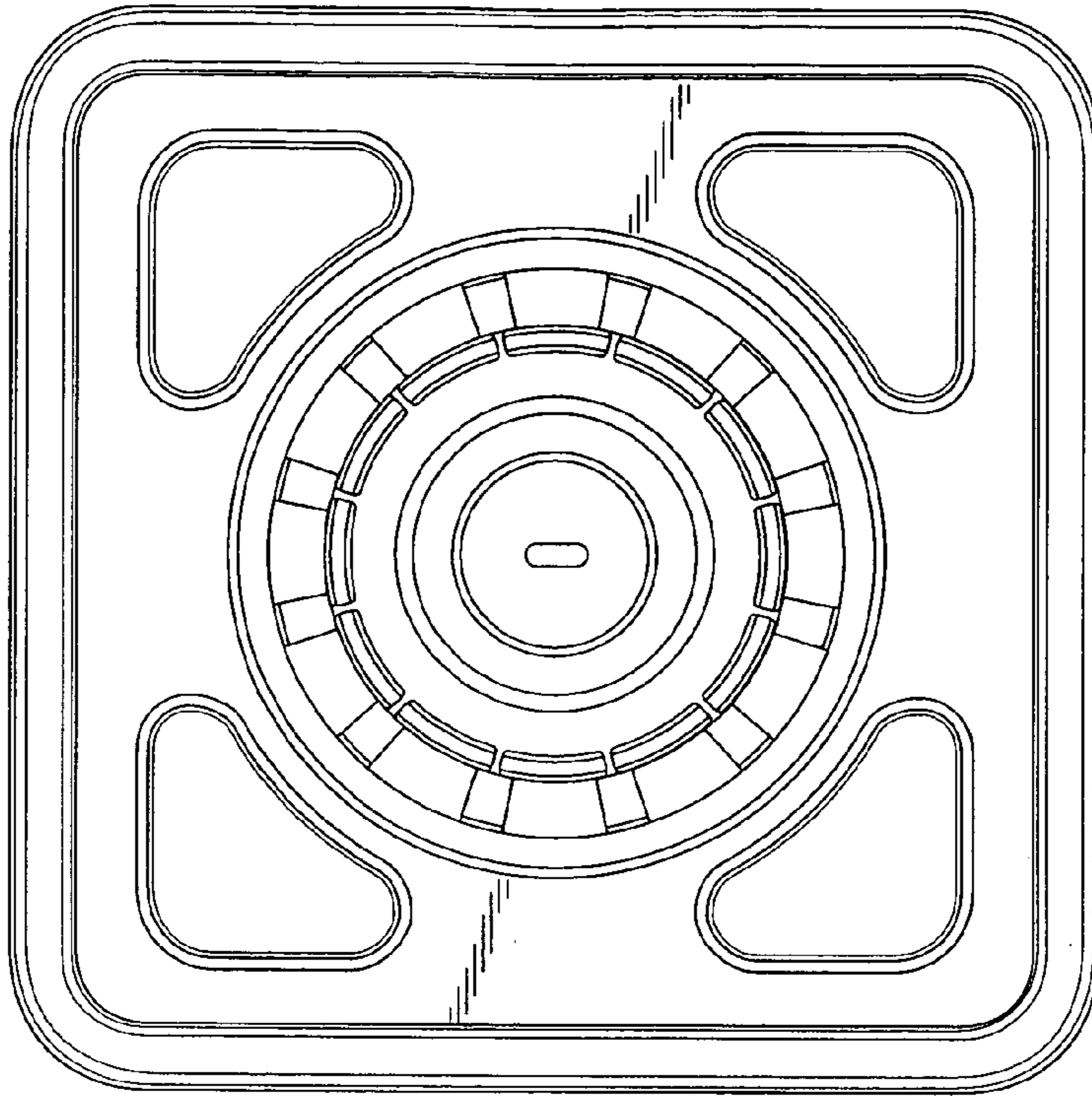


FIG.4

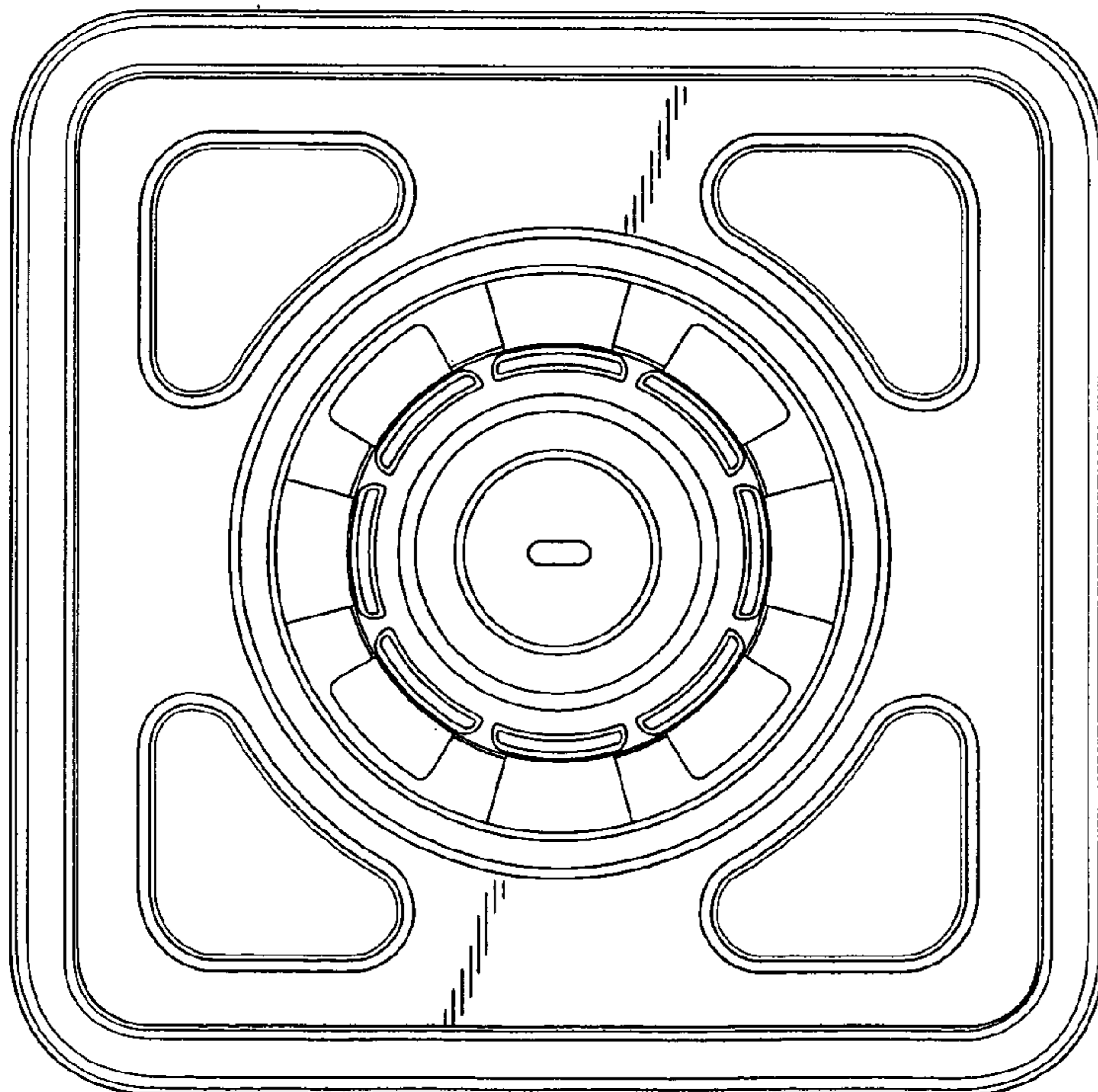


FIG.5

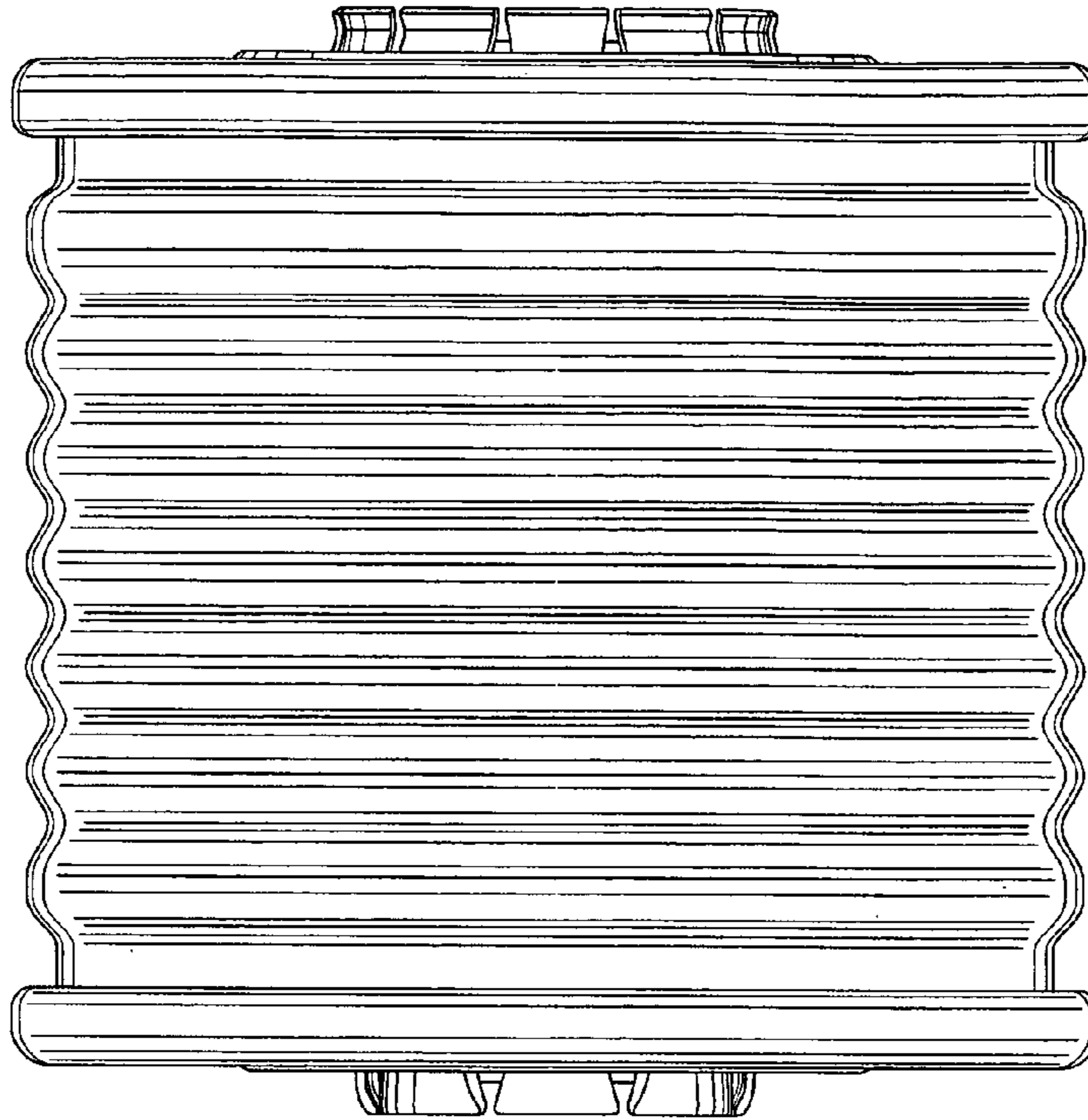


FIG.6

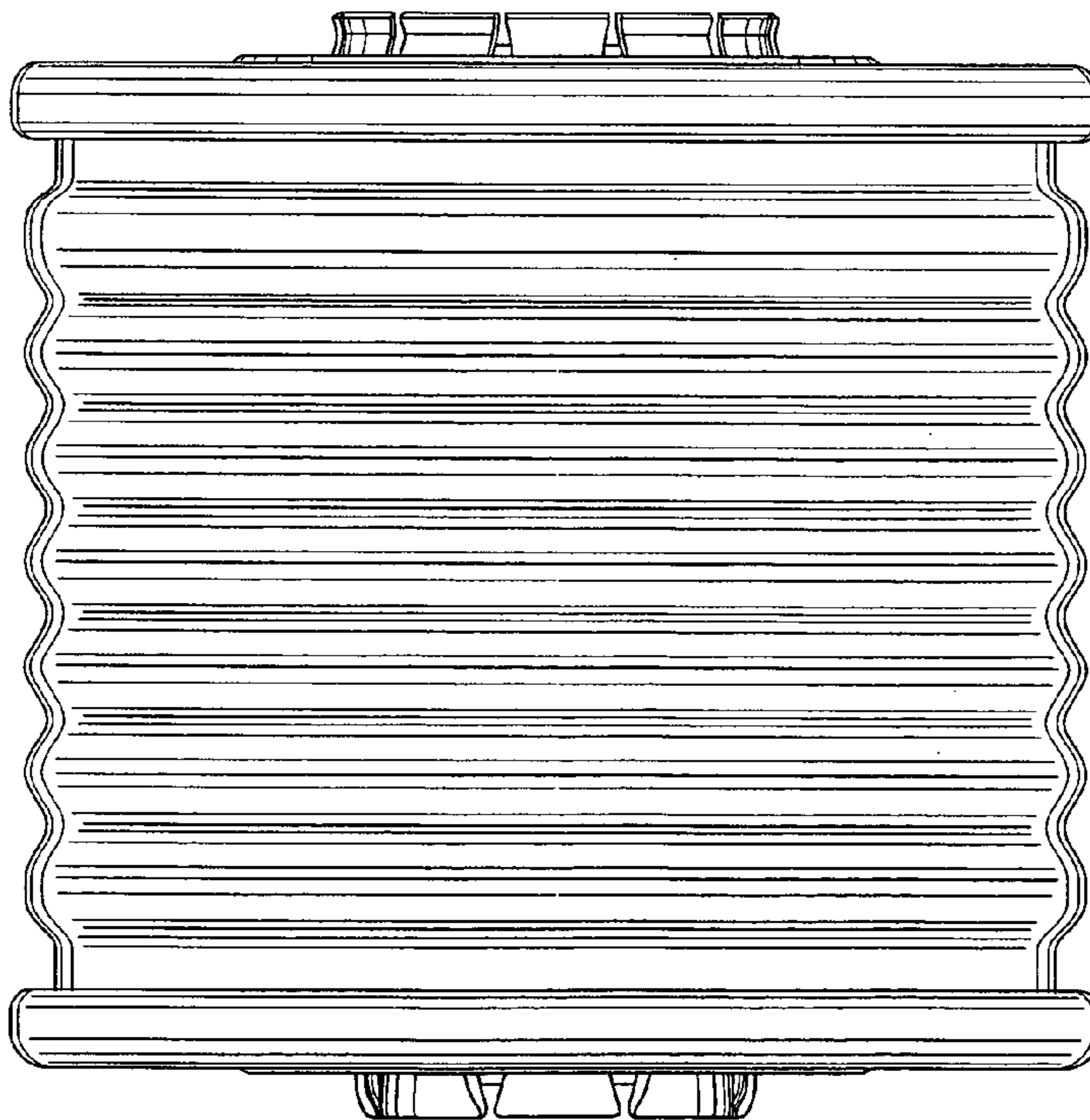


FIG.7

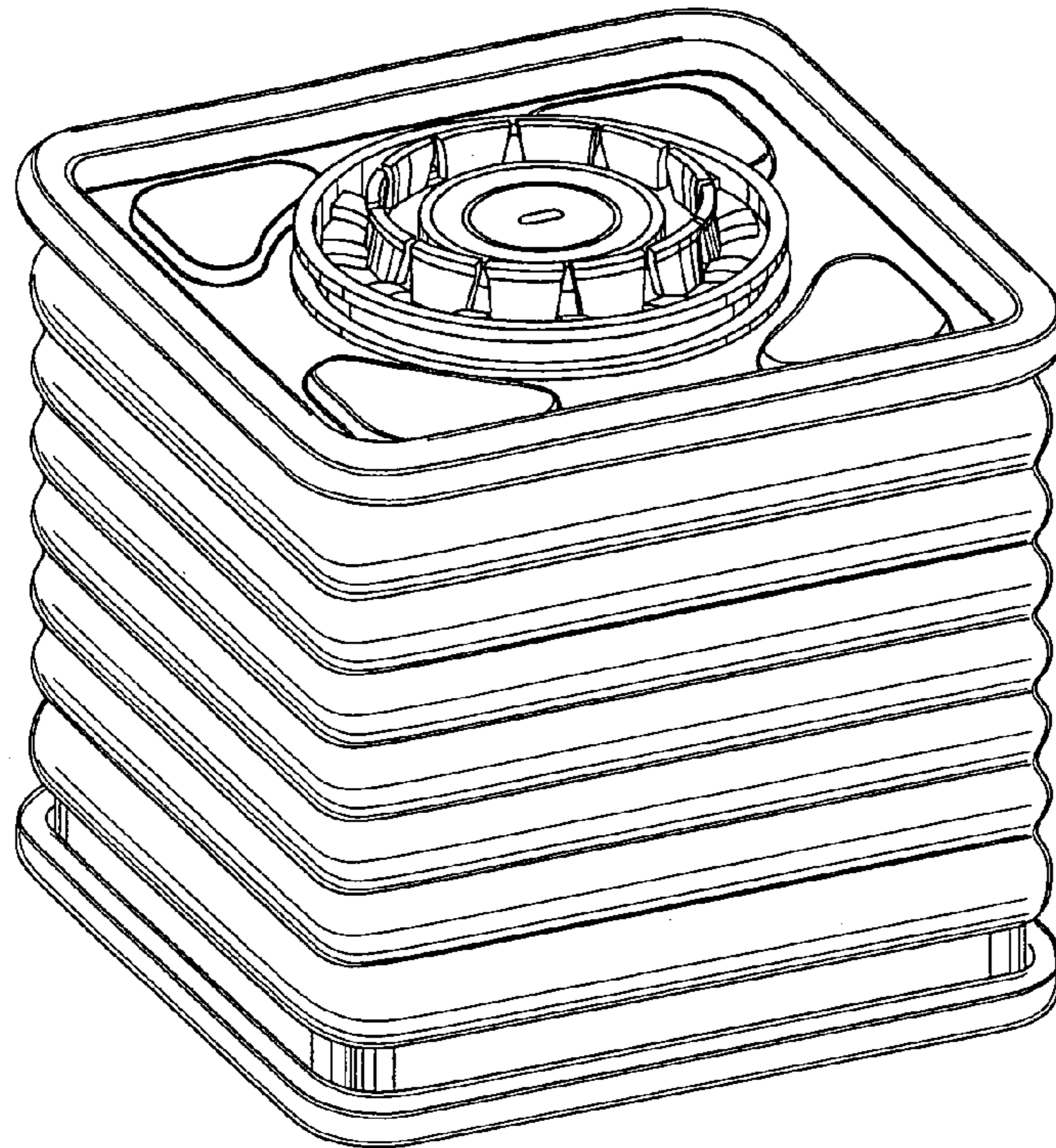


FIG.8

