

US00D547719S

(12) **United States Design Patent**  
**Su**

(10) **Patent No.:** **US D547,719 S**

(45) **Date of Patent:** **\*\* Jul. 31, 2007**

(54) **METALLIC STAND**

D388,727 S \* 1/1998 Bulgari ..... D8/358  
D422,557 S \* 4/2000 Grace ..... D13/118

(75) Inventor: **Steven Su**, Taoyuan (TW)

\* cited by examiner

(73) Assignee: **Enermax Technology Corporation**,  
Taoyuan (TW)

*Primary Examiner*—Prabhakar Deshmukh

*Assistant Examiner*—Derrick Holland

(\*\*) Term: **14 Years**

(74) *Attorney, Agent, or Firm*—Troxell Law Office, PLLC

(21) Appl. No.: **29/207,792**

(57) **CLAIM**

(22) Filed: **Jun. 21, 2004**

The ornamental design for a metallic stand, as shown and described.

(30) **Foreign Application Priority Data**

May 31, 2004 (TW) ..... 093303184

**DESCRIPTION**

(51) **LOC (8) Cl.** ..... **13-01**

FIG. 1 is a top front and left side perspective view of metallic stand showing my new design;

(52) **U.S. Cl.** ..... **D13/118**

FIG. 2 is a front elevational view thereof;

(58) **Field of Classification Search** ..... D13/118,  
D13/101, 183, 184, 199; D8/364, 354, 360;  
D23/390; 248/176.1, 176.2; 310/235, 323.05  
See application file for complete search history.

FIG. 3 is a rear elevational view thereof;

FIG. 4 is a left side elevational view thereof;

FIG. 5 is a right side elevational view thereof;

(56) **References Cited**

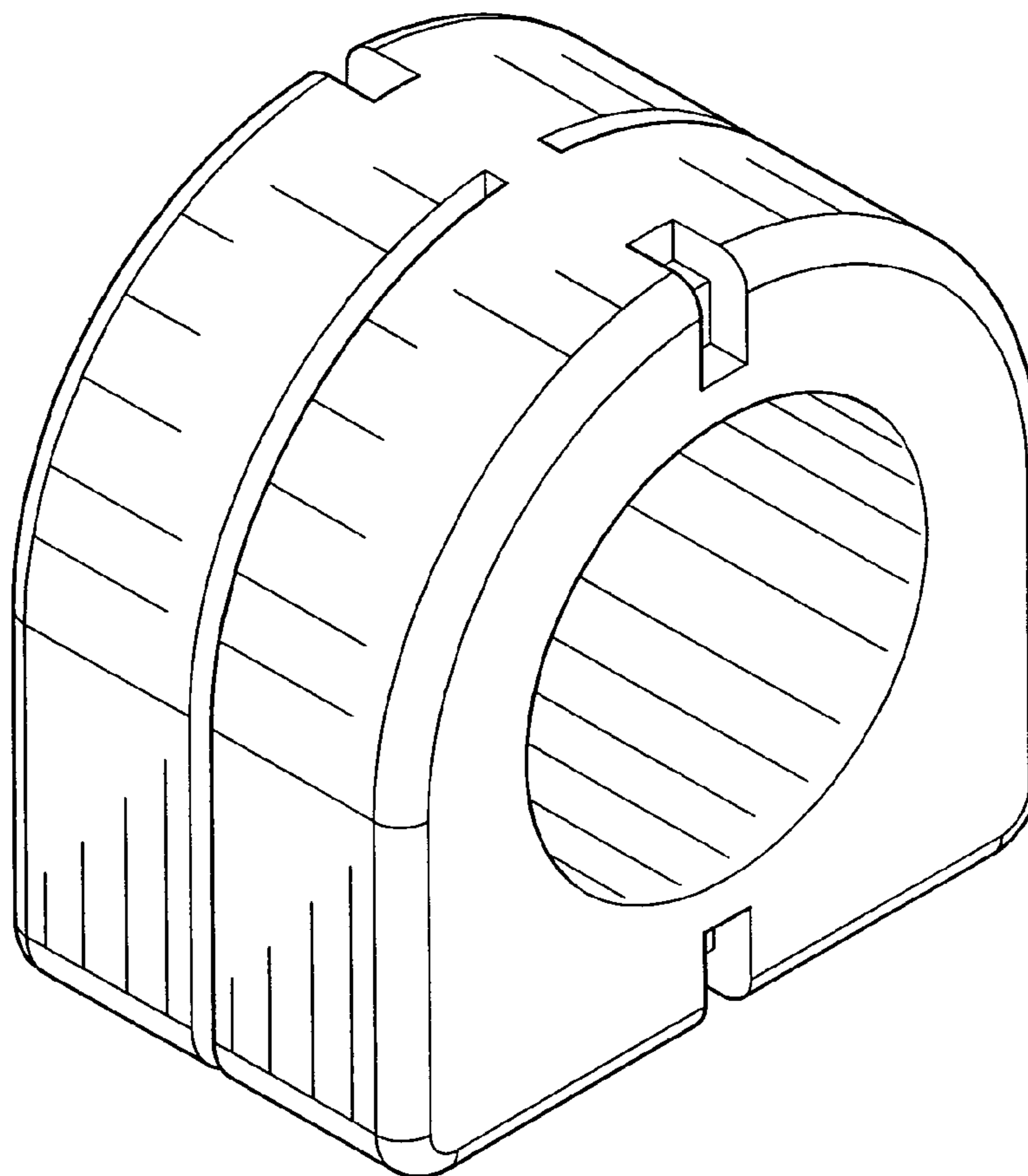
FIG. 6 is a top plan view thereof; and,

FIG. 7 is a bottom plan view thereof.

**U.S. PATENT DOCUMENTS**

2,719,345 A \* 10/1955 Riker ..... 24/277

**1 Claim, 4 Drawing Sheets**



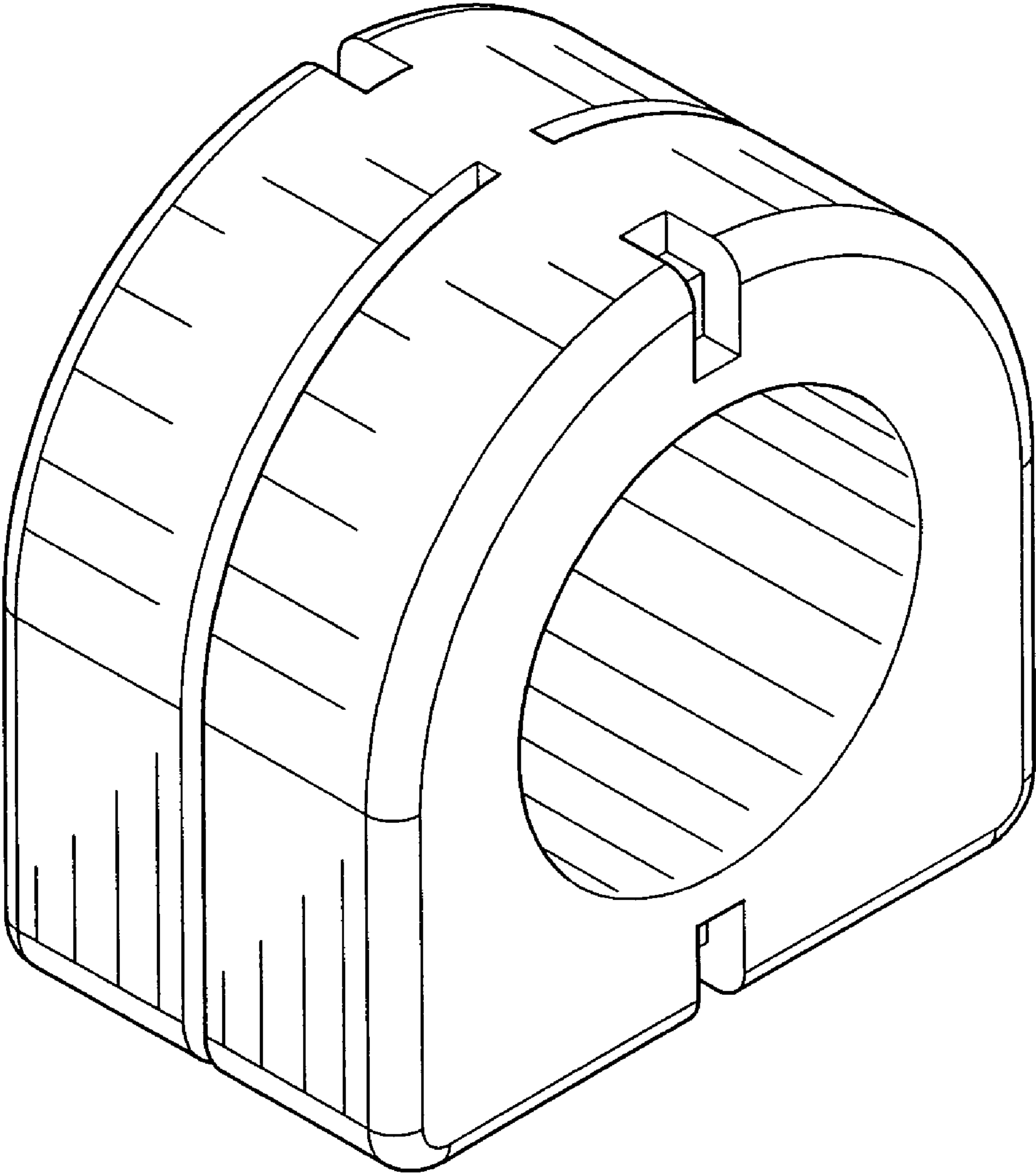


Fig. 1

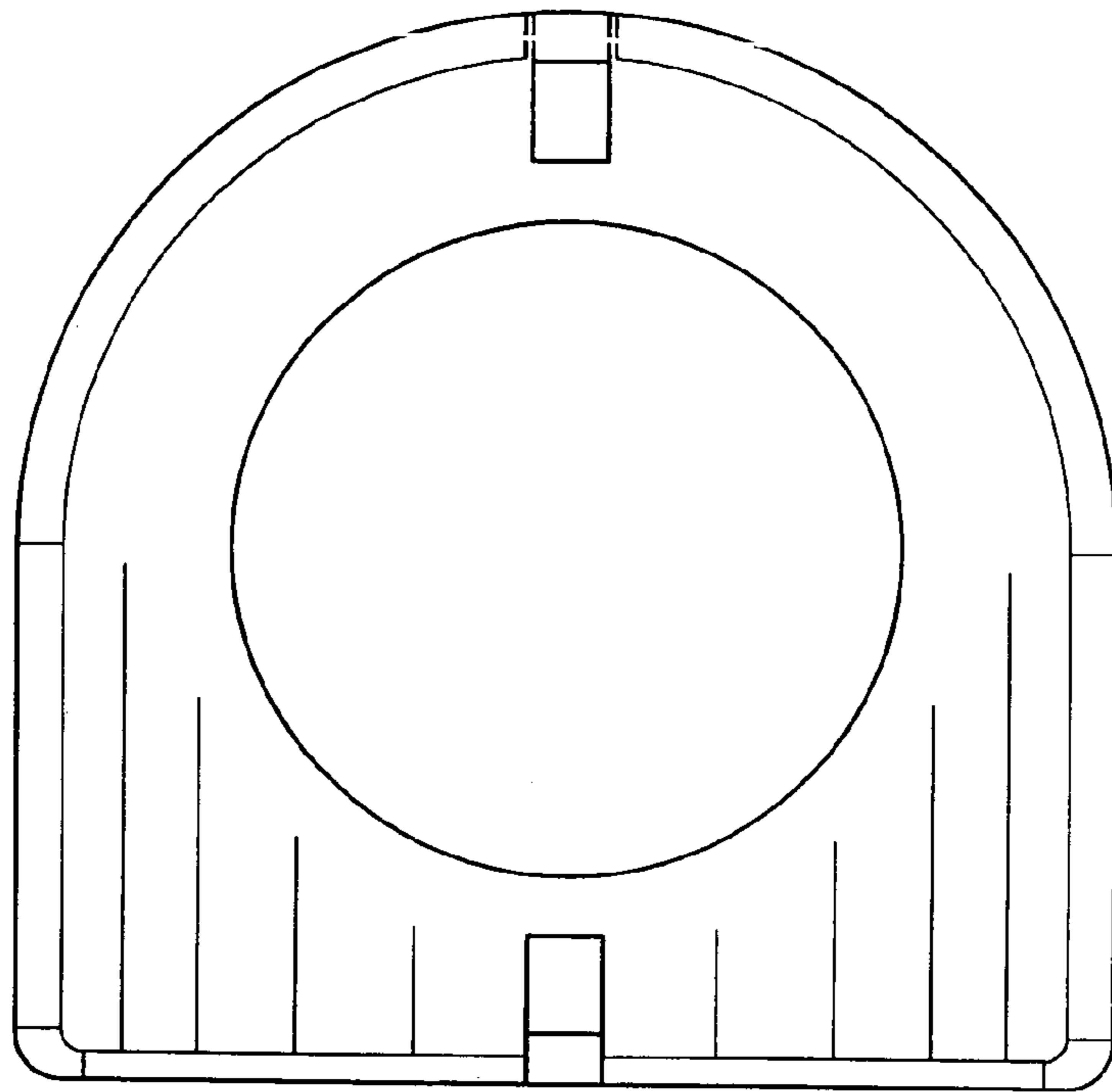


Fig. 2

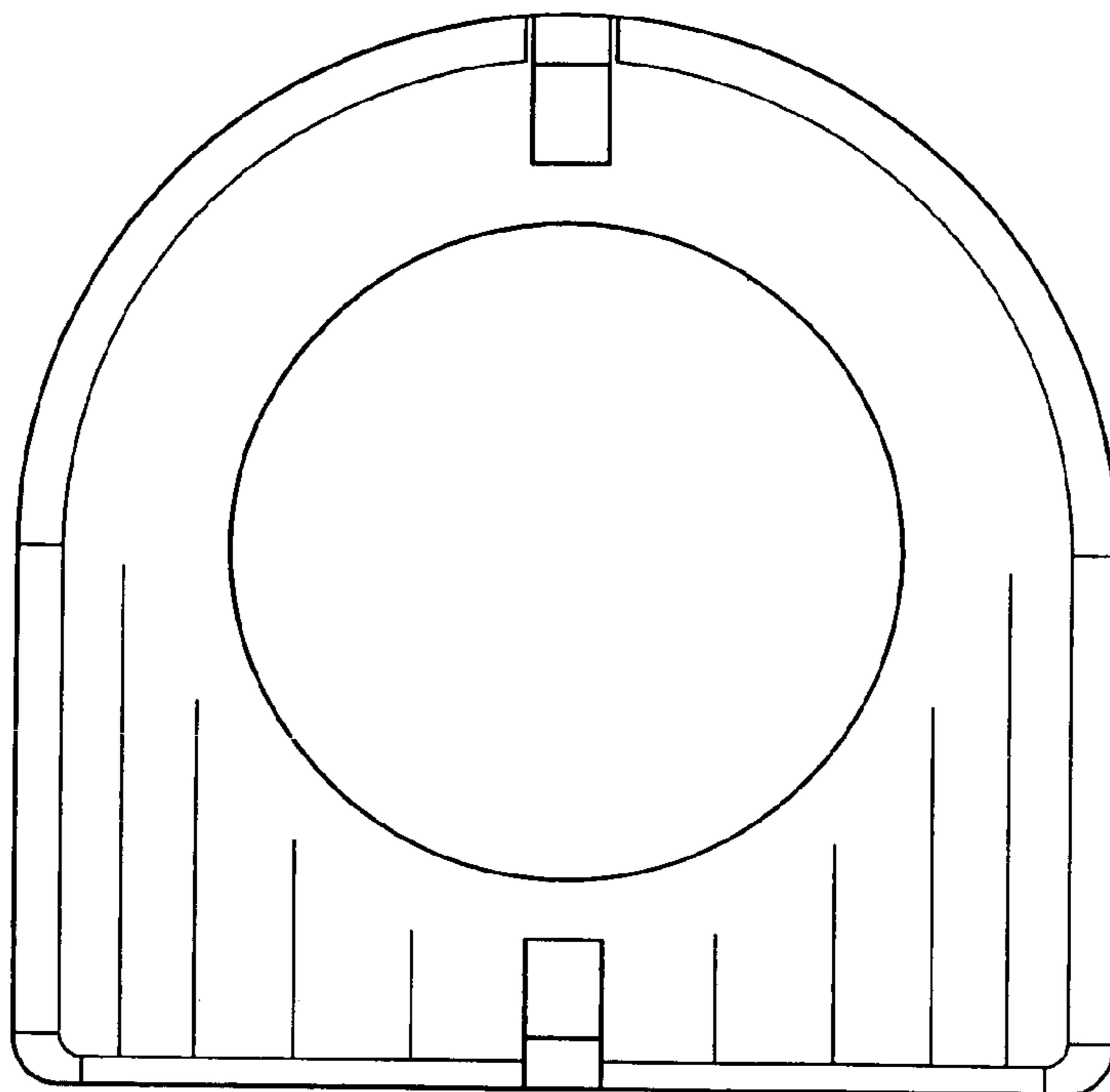


Fig. 3

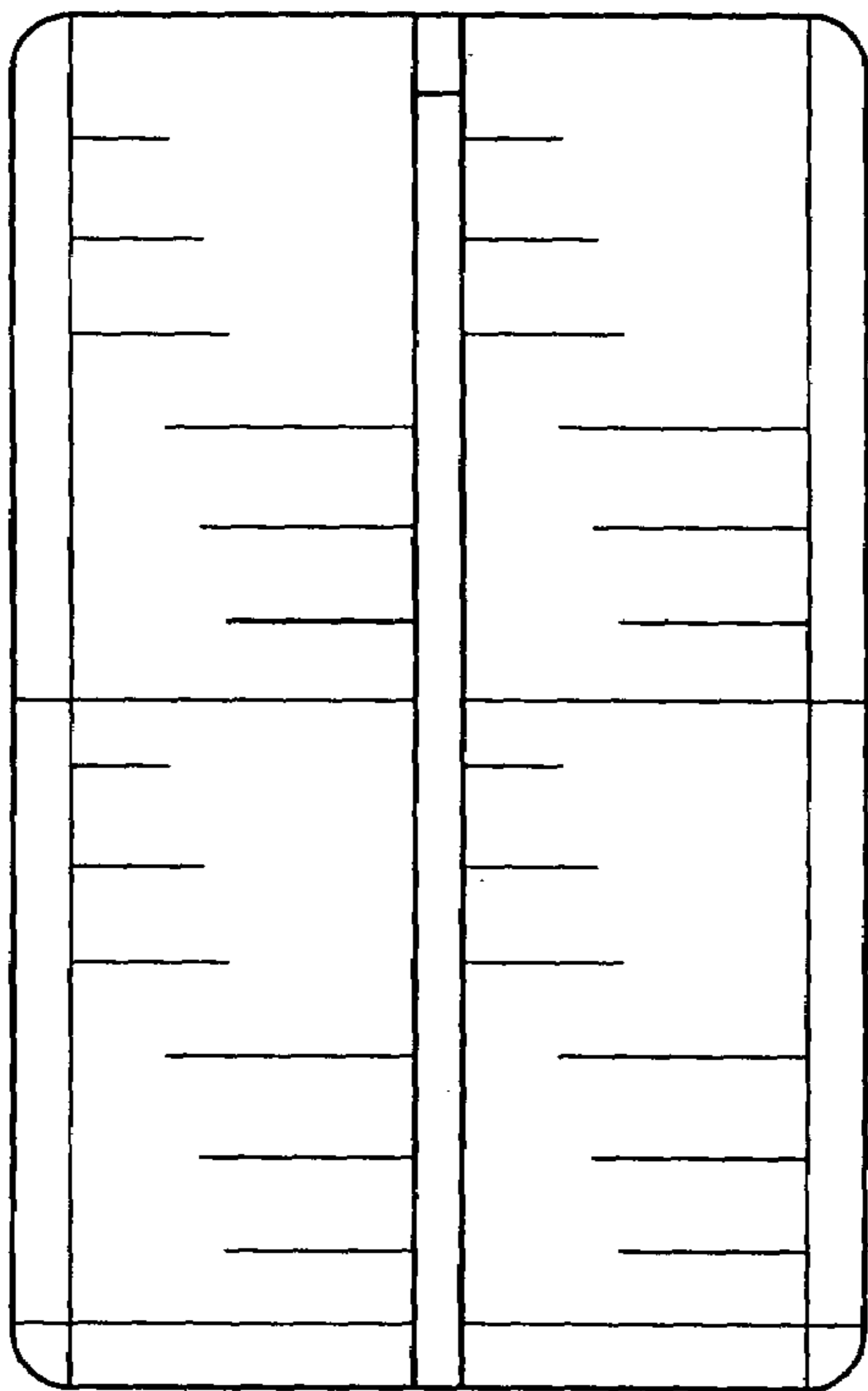


Fig. 4

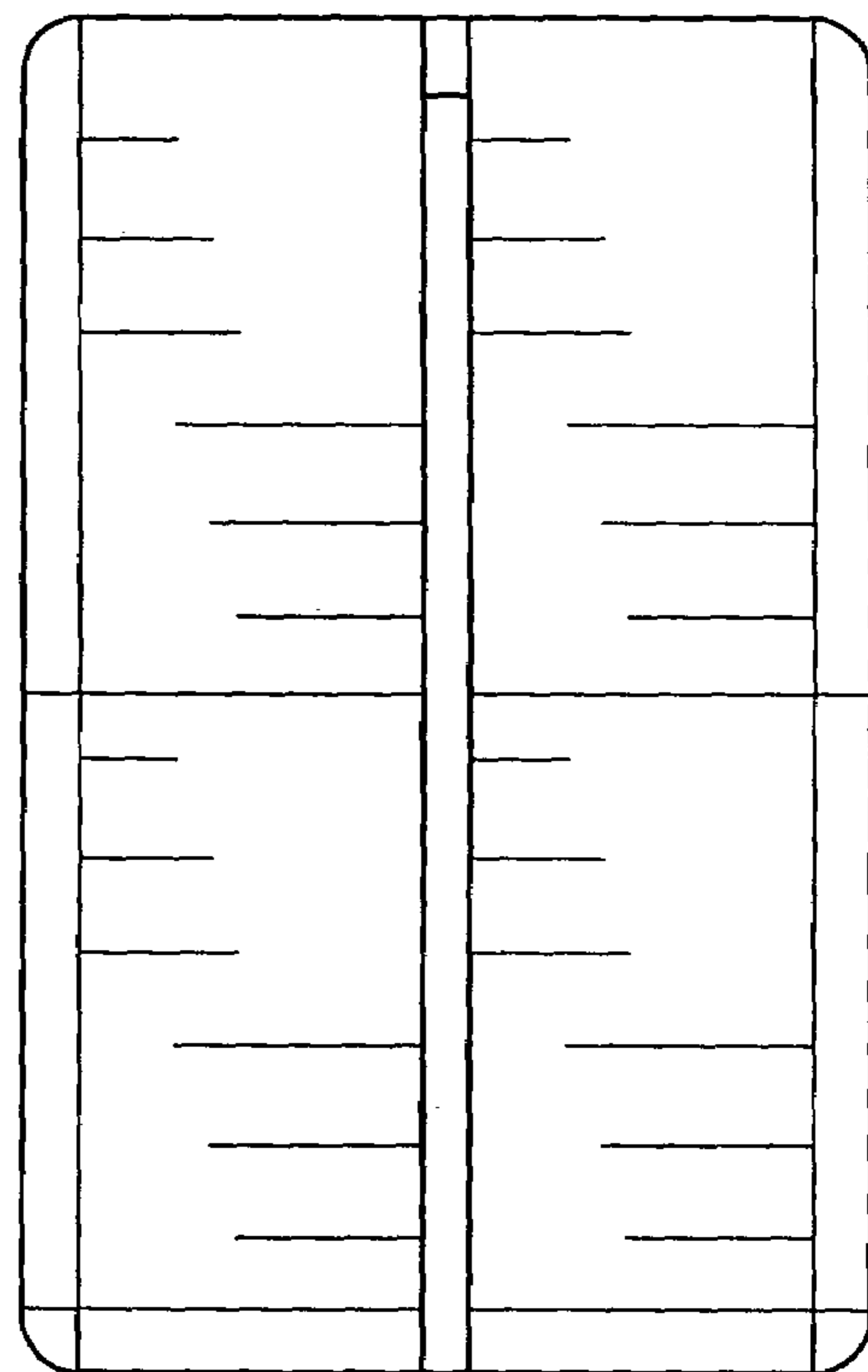


Fig. 5

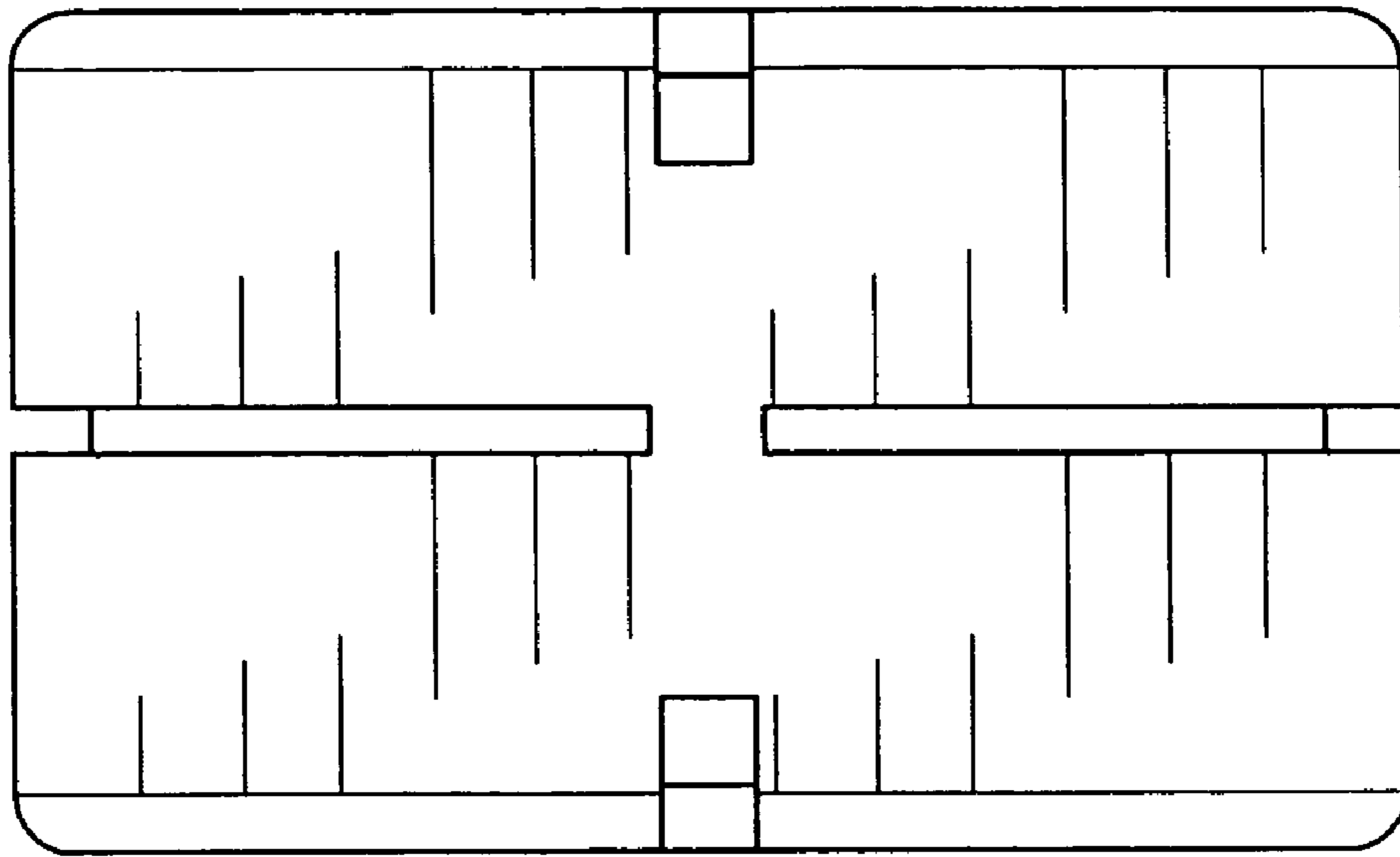


Fig. 6

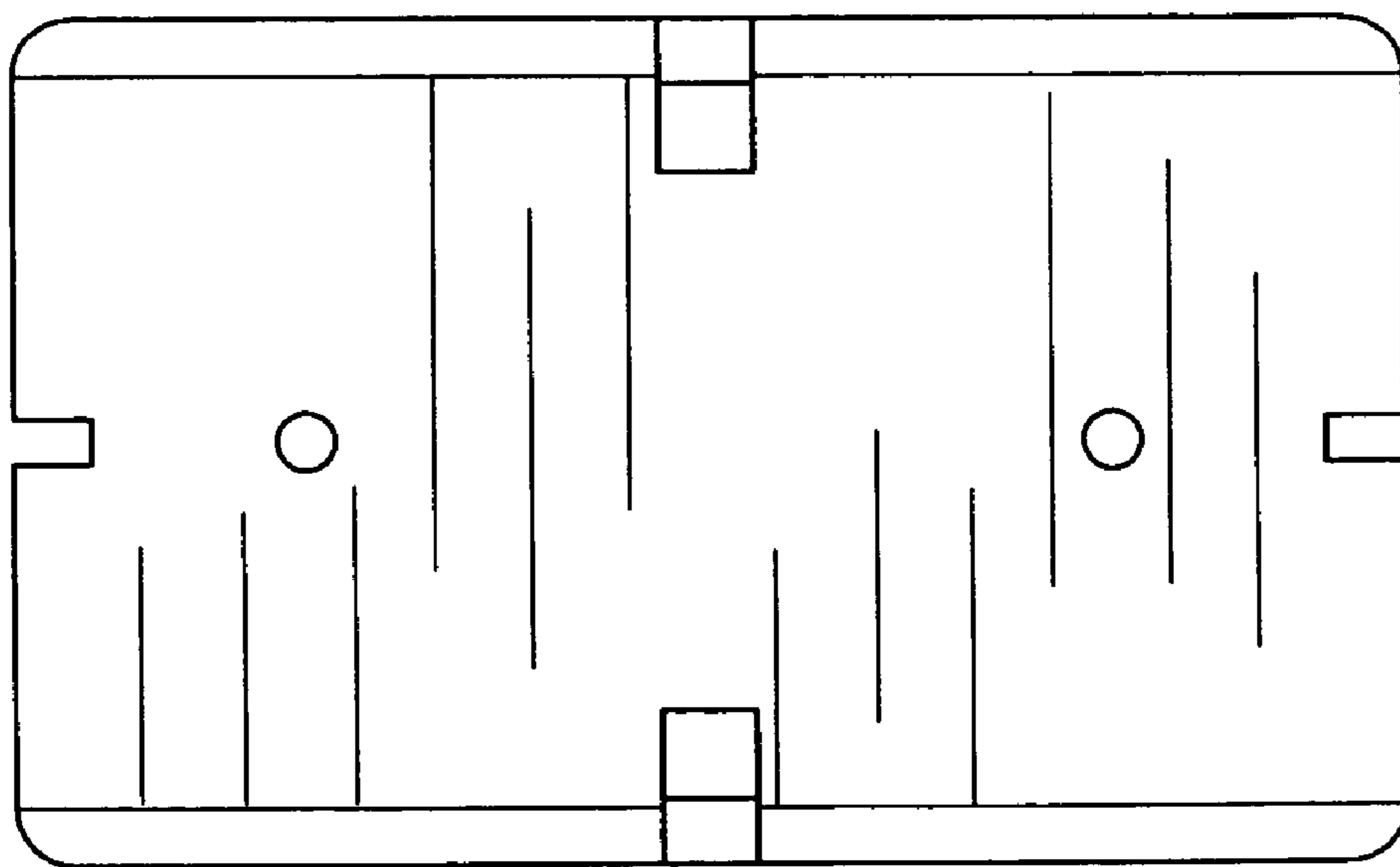


Fig. 7