



US00D547718S

(12) **United States Design Patent**
Helgeson et al.

(10) **Patent No.:** **US D547,718 S**

(45) **Date of Patent:** **** Jul. 31, 2007**

(54) **AIR PULSATING GENERATOR**

(75) Inventors: **Lonnie J. Helgeson**, New Prague, MN
(US); **Michael W. Larson**, New
Prague, MN (US)

(73) Assignee: **Electromed, Inc**, New Prague, MN
(US)

(**) Term: **14 Years**

(21) Appl. No.: **29/270,161**

(22) Filed: **Dec. 18, 2006**

(51) **LOC (8) Cl.** **13-01**

(52) **U.S. Cl.** **D13/116**

(58) **Field of Classification Search** D13/116,
D13/112, 114; 209/1 A, 1 B; 307/68, 153;
310/43, 47, 50, 109; 322/1

See application file for complete search history.

(56) **References Cited**

U.S. PATENT DOCUMENTS

D281,492 S * 11/1985 Yaguchi D13/116
4,595,841 A * 6/1986 Yaguchi 290/1 A
5,121,715 A * 6/1992 Nogami et al. 123/41.7
5,917,310 A * 6/1999 Baylis 322/1

6,091,160 A * 7/2000 Kouchi et al. 290/1 A
D437,581 S * 2/2001 Aruga et al. D13/116
D437,825 S * 2/2001 Imai D13/116
D477,569 S * 7/2003 Iwatate et al. D13/116

* cited by examiner

Primary Examiner—Prabhakar Deshmukh

Assistant Examiner—Derrick Holland

(74) *Attorney, Agent, or Firm*—Richard John Bartz

(57) **CLAIM**

The ornamental design for an air pulsating generator, as shown and described.

DESCRIPTION

FIG. 1 is a perspective view of an air pulsating generator showing our new design;

FIG. 2 is a front elevational view thereof;

FIG. 3 is a top plan view thereof;

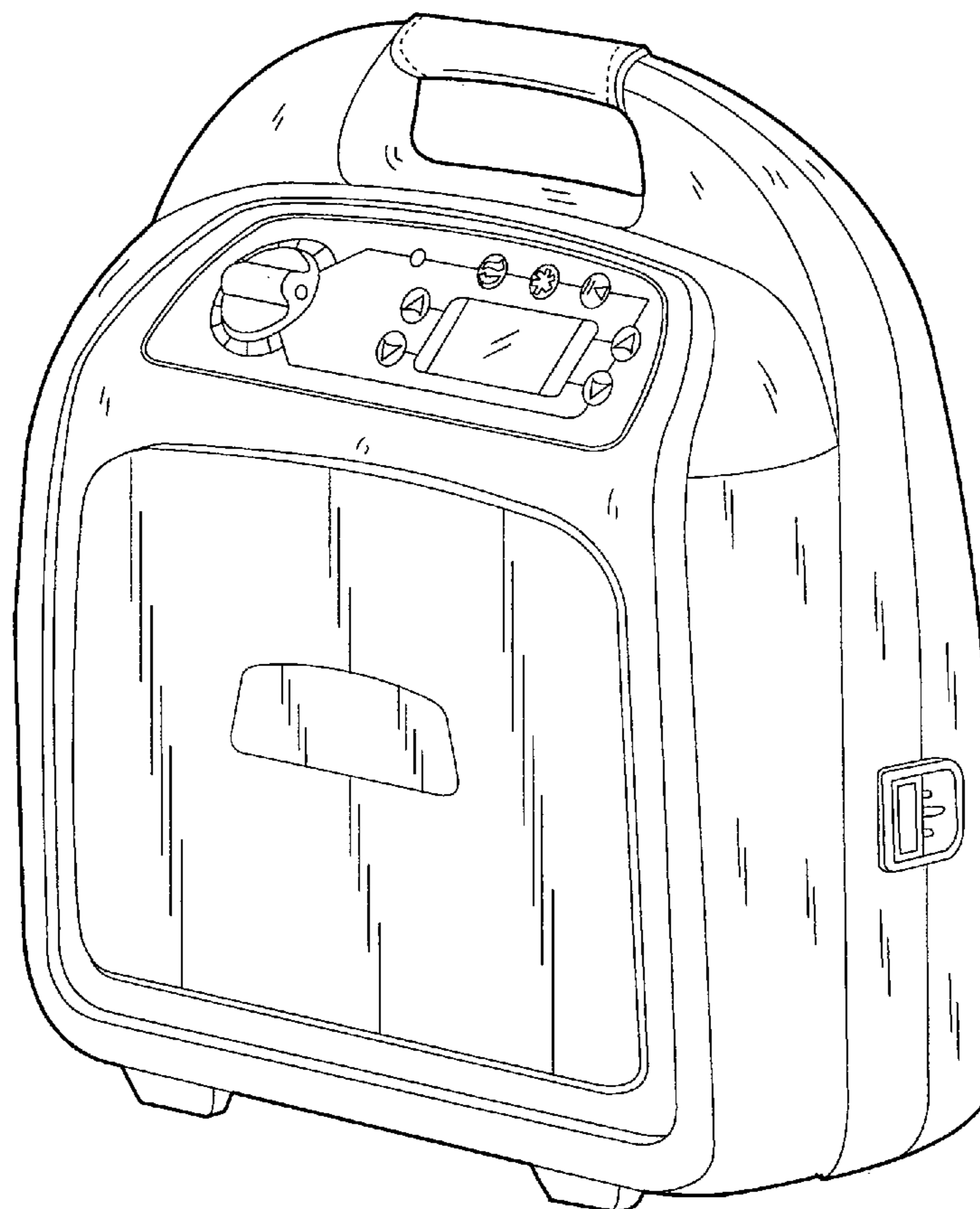
FIG. 4 is a bottom plan view thereof;

FIG. 5 is a side elevational view of the right side thereof;

FIG. 6 is a side elevational view of the left side thereof; and,

FIG. 7 is a rear elevational view thereof.

1 Claim, 6 Drawing Sheets



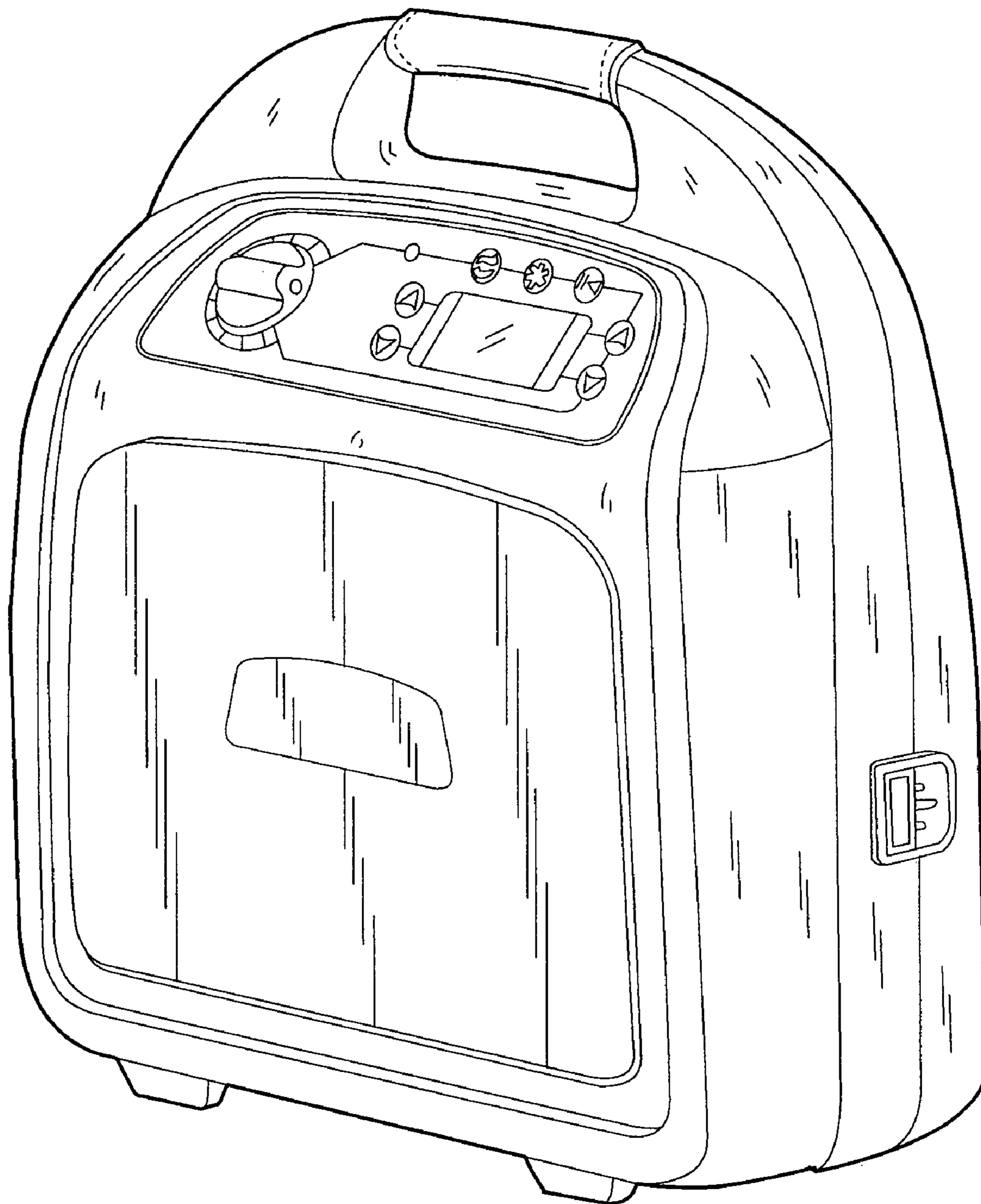


FIG. 1

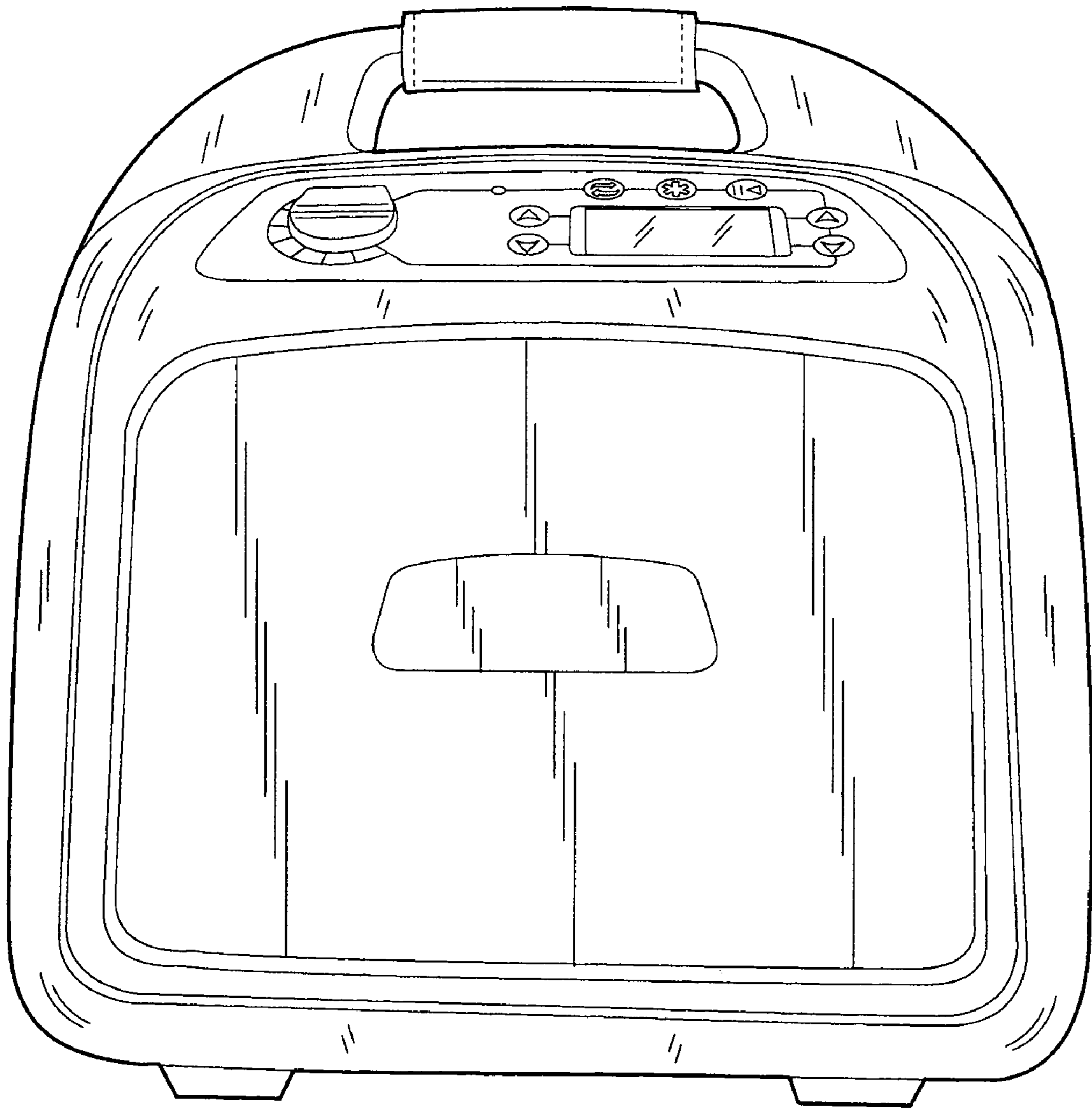


FIG. 2

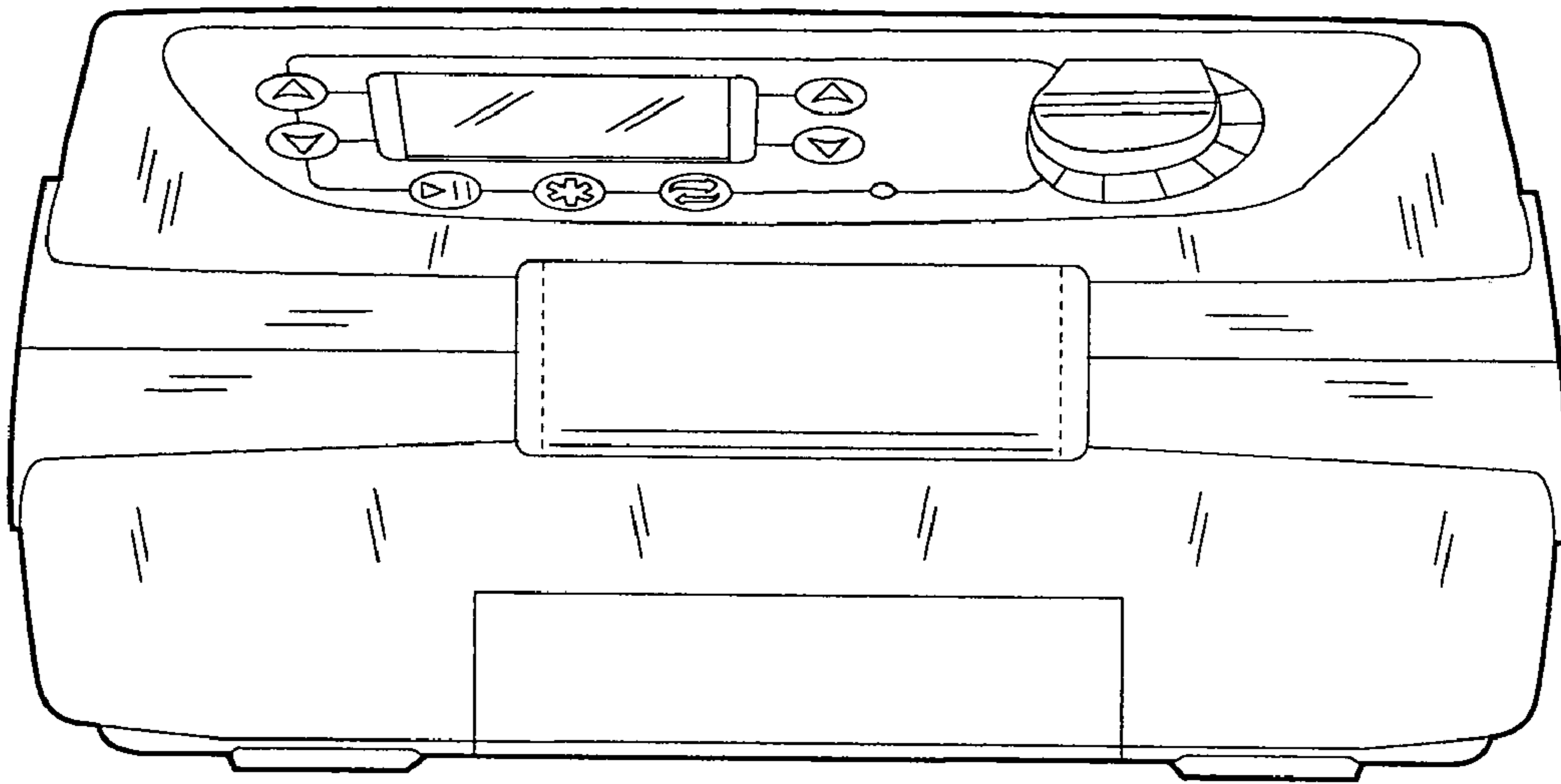


FIG. 3

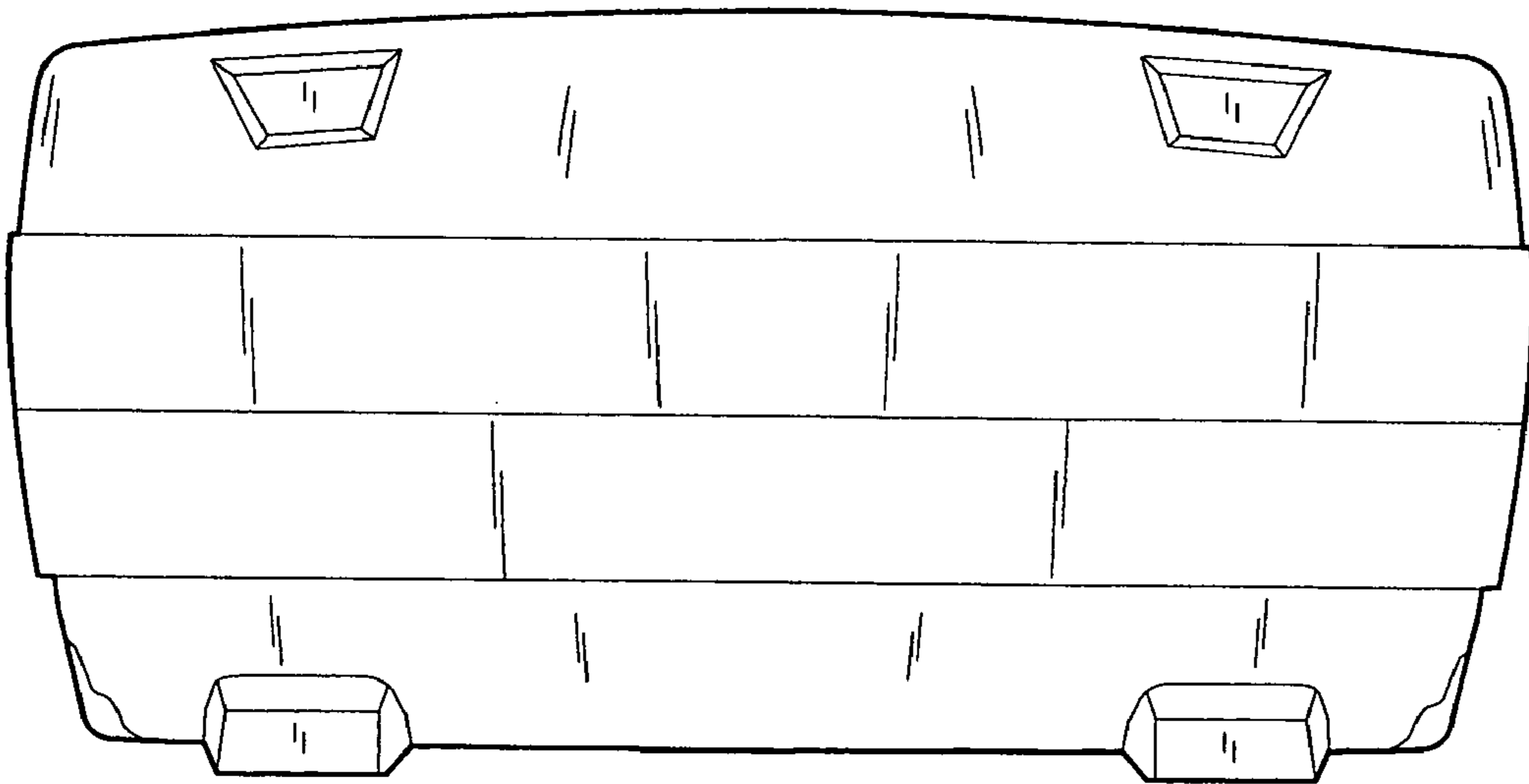


FIG. 4

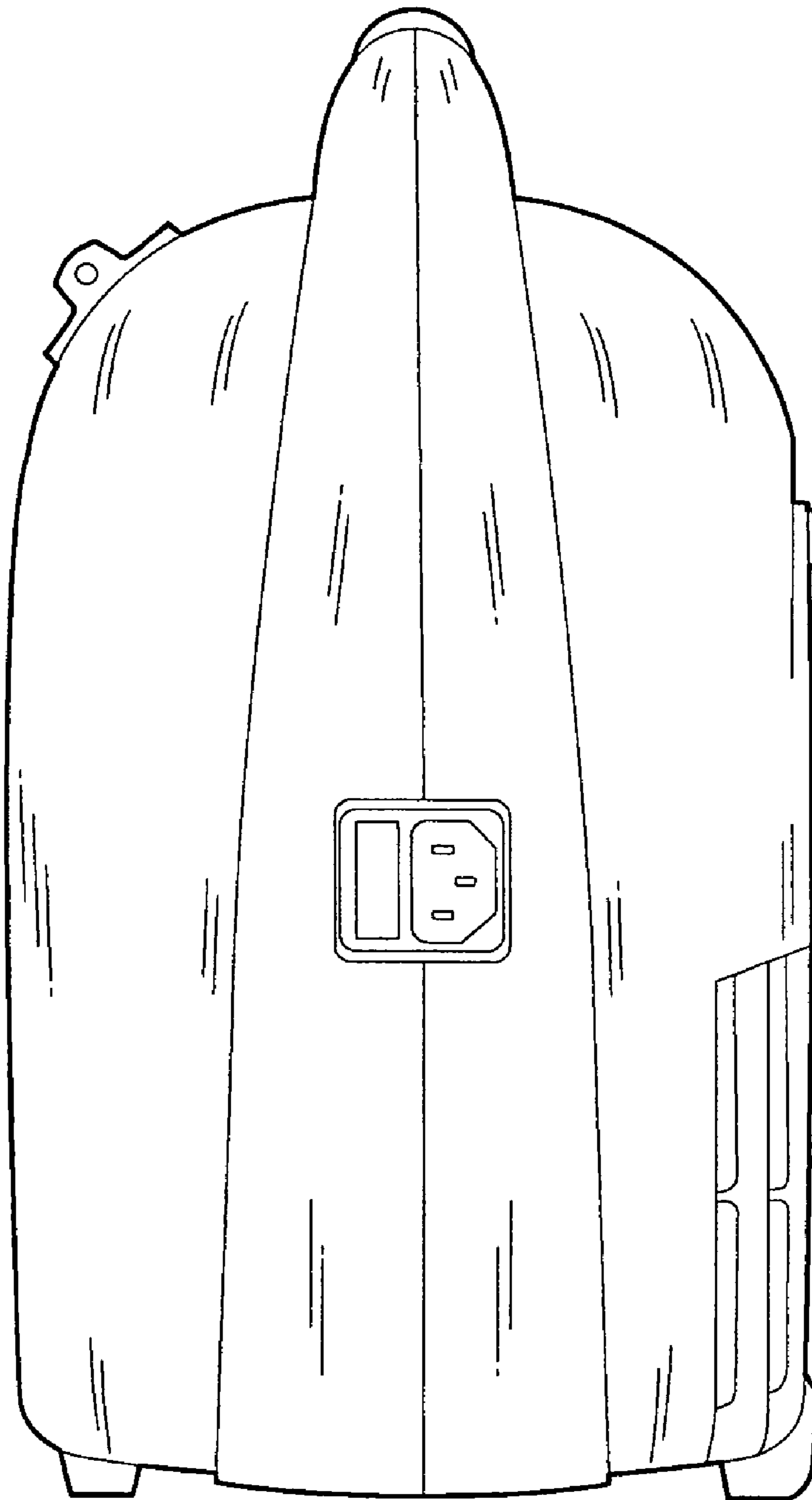


FIG. 5

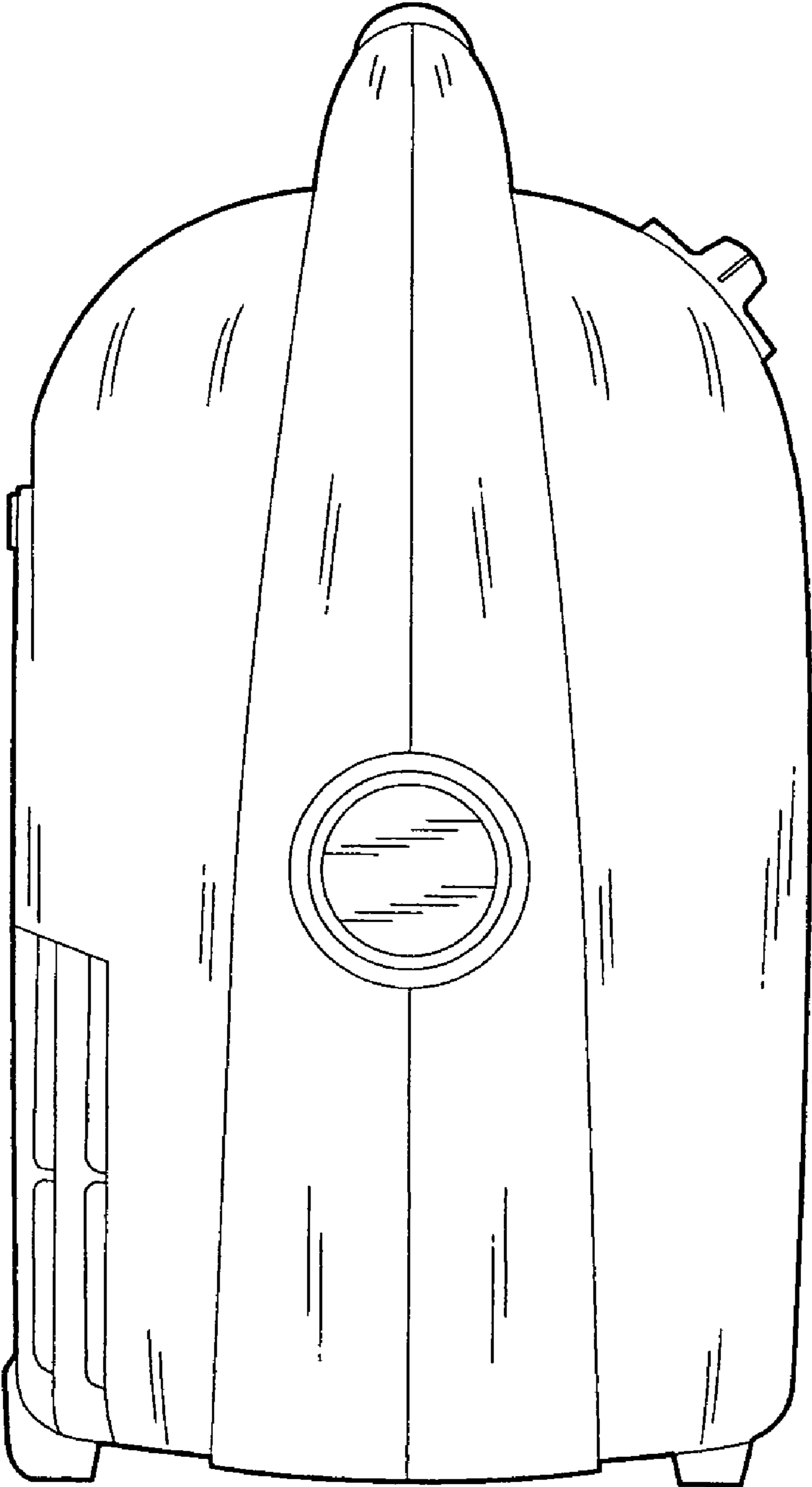


FIG. 6

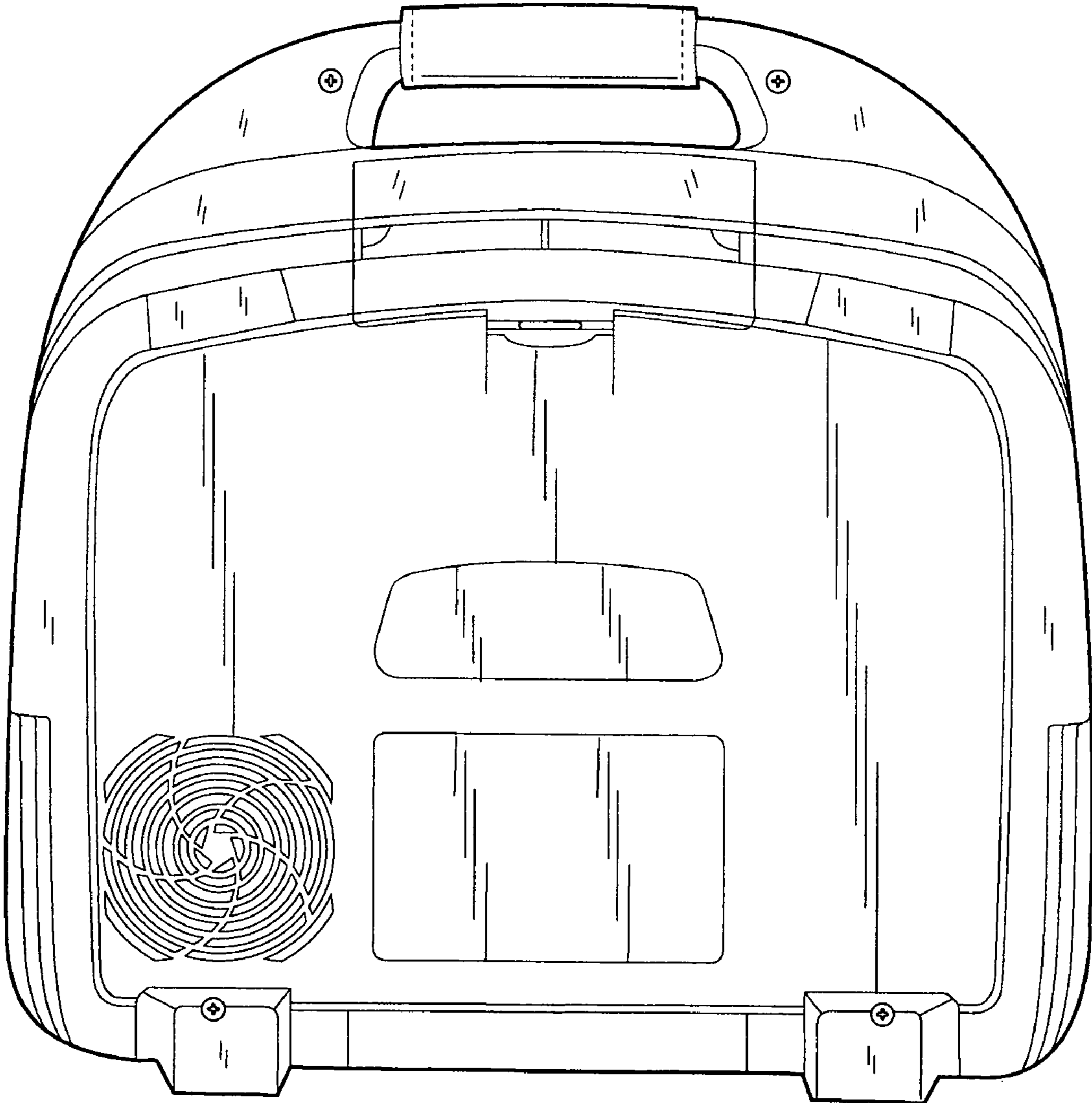


FIG. 7