

US00D547716S

(12) **United States Design Patent**
Ochi

(10) **Patent No.:** **US D547,716 S**

(45) **Date of Patent:** **** Jul. 31, 2007**

(54) **TREAD PORTION OF AN AUTOMOBILE TIRE**

D531,108 S * 10/2006 Marazzi et al. D12/523
2005/0173035 A1* 8/2005 Heinen 152/209.9
2006/0137789 A1* 6/2006 Shirouzu 152/209.8

(75) Inventor: **Naoya Ochi**, Chuo-ku (JP)

* cited by examiner

(73) Assignee: **Bridgestone Corporation**, Tokyo (JP)

Primary Examiner—Robert M. Spear

(**) Term: **14 Years**

(74) *Attorney, Agent, or Firm*—Sughrue Mion, PLLC

(21) Appl. No.: **29/239,886**

(57) **CLAIM**

(22) Filed: **Oct. 6, 2005**

The ornamental design for a tread portion of an automobile tire, as shown and described.

(30) **Foreign Application Priority Data**

Apr. 7, 2005 (JP) 2005-010451

DESCRIPTION

(51) **LOC (8) Cl.** **12-15**

FIG. 1 is a perspective view of a tread portion of an automobile tire, it being understood that the tread pattern repeats uniformly throughout the circumference of the tire.

(52) **U.S. Cl.** **D12/518**

FIG. 2 is a front elevation view thereof, the top plan view and bottom plan view are identical with the front elevation view.

(58) **Field of Classification Search** D12/505,
D12/507, 508, 512, 514, 515, 516, 517, 518,
D12/519, 521, 522, 523, 524, 526, 527, 528,
D12/529, 530, 531, 532; 152/509.1, 209.8,
152/455

FIG. 3 is a rear elevation view thereof.

See application file for complete search history.

FIG. 4 is a right side elevation view thereof.

(56) **References Cited**

U.S. PATENT DOCUMENTS

D490,049 S * 5/2004 Heinen et al. D12/524
D512,013 S * 11/2005 Delu et al. D12/521
D524,231 S * 7/2006 Marazzi et al. D12/521
D524,233 S * 7/2006 Marazzi et al. D12/521
D524,235 S * 7/2006 Marazzi et al. D12/523
D524,236 S * 7/2006 Marazzi et al. D12/524

FIG. 5 is a left side elevation view thereof.

FIG. 6 is an enlarged fragmentary front view thereof; and,

FIG. 7 is an enlarged cross-sectional view thereof taken along line 7—7 in FIG. 6.

The portion of the article shown in broken lines is for illustrative purpose only and forms no part of the claimed design.

1 Claim, 7 Drawing Sheets

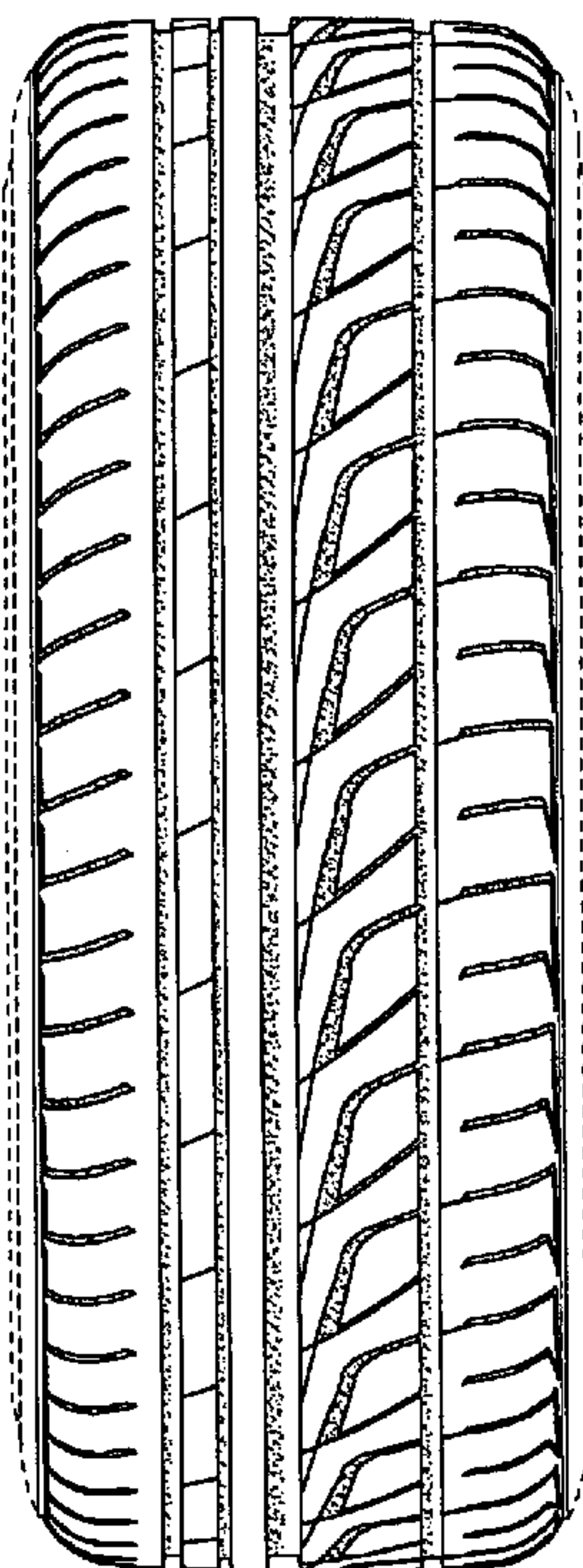


FIG. 1

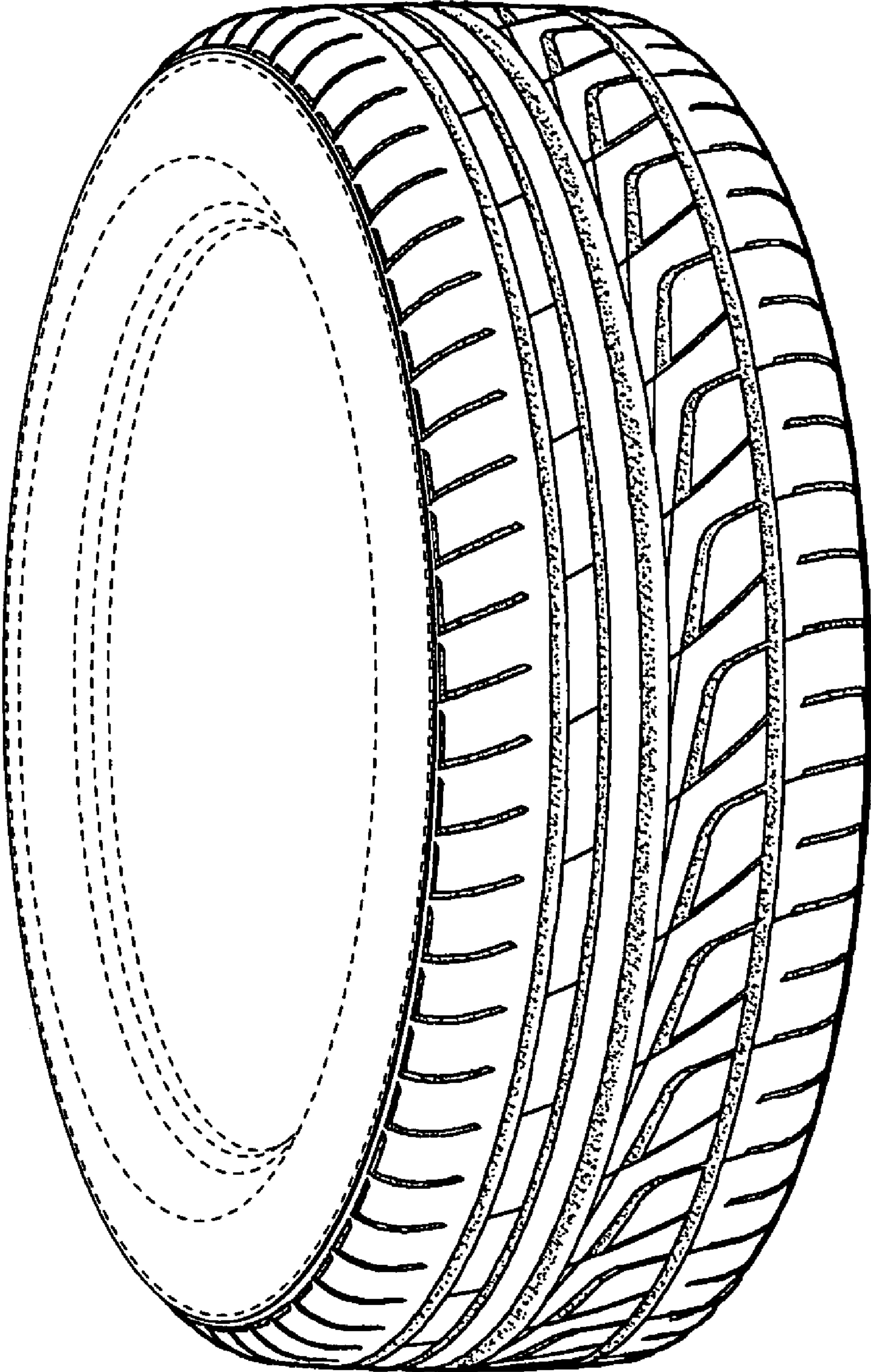


FIG. 2

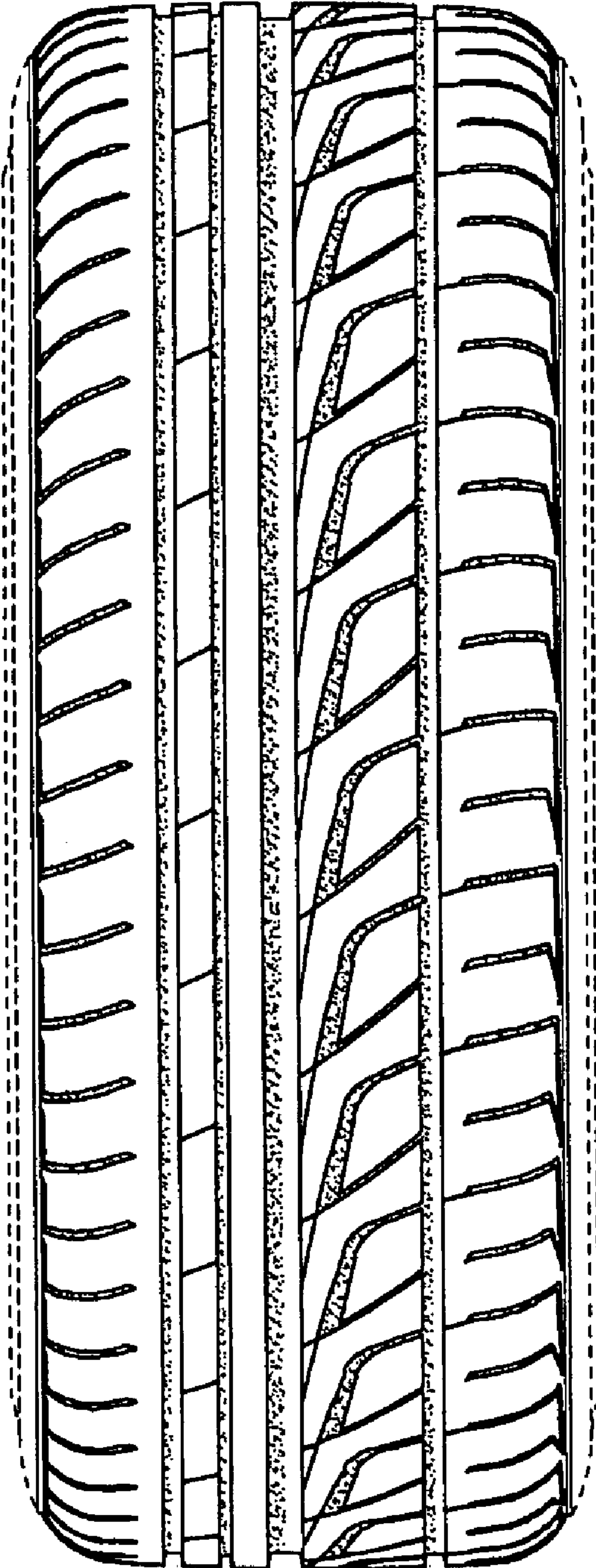


FIG. 3

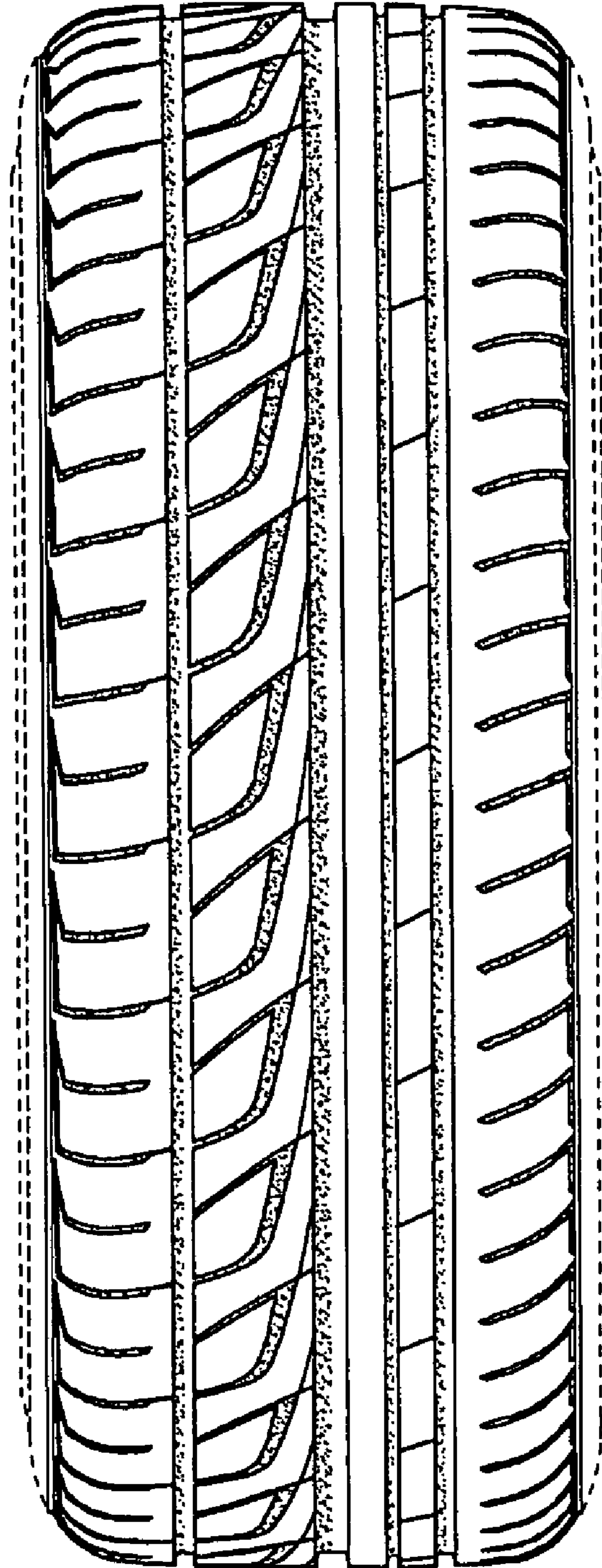


FIG. 4

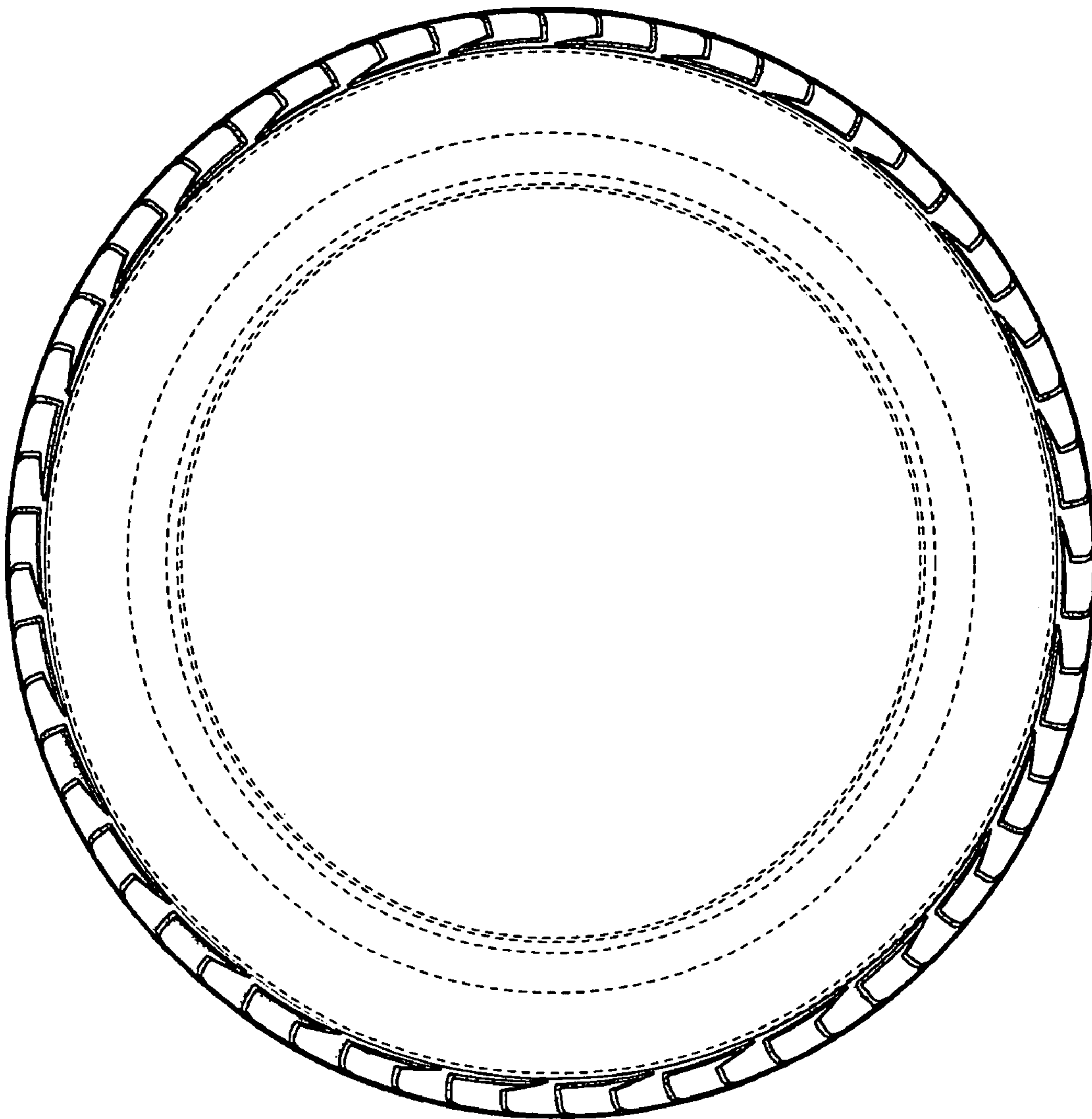


FIG. 5

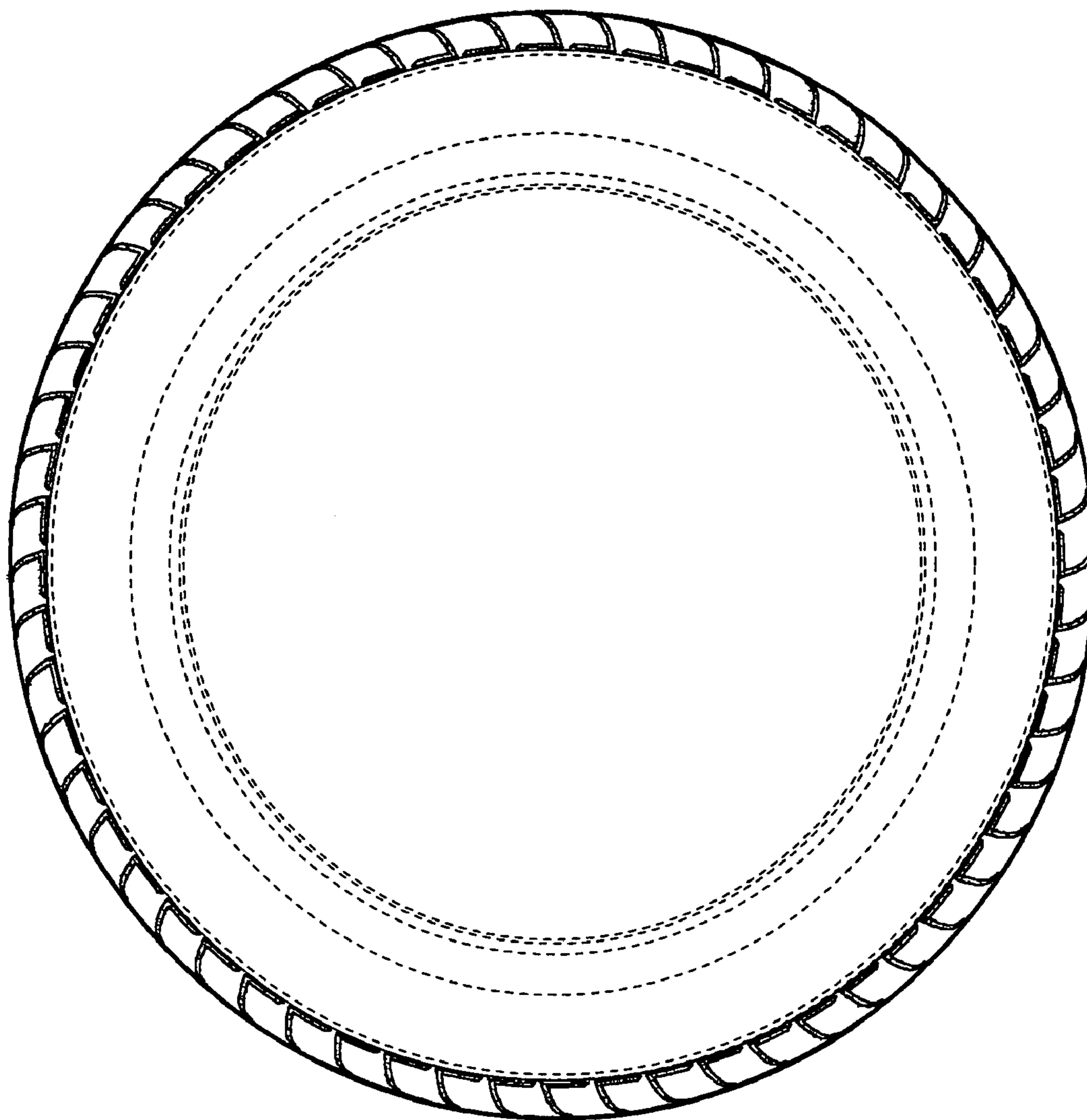


FIG. 6

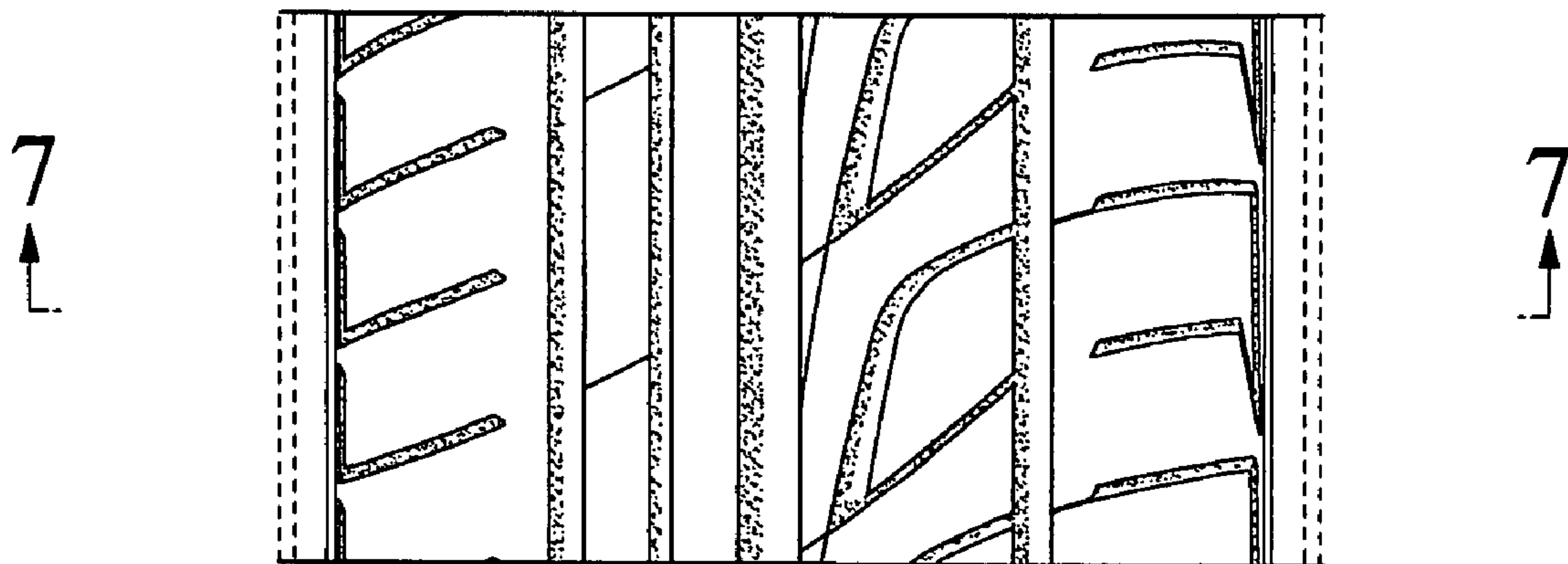


FIG. 7

