

US00D547714S

(12) **United States Design Patent**  
**Hsiung**

(10) **Patent No.:** **US D547,714 S**

(45) **Date of Patent:** **\*\* Jul. 31, 2007**

(54) **RETRACTABLE FIXTURE**

(75) Inventor: **Chen Kuo Hsiung**, Laguna (HK)

(73) Assignee: **Silicon Pyramid Electron Ltd.**,  
Guangzhou (CN)

(\*\*) Term: **14 Years**

(21) Appl. No.: **29/237,469**

(22) Filed: **Aug. 31, 2005**

(30) **Foreign Application Priority Data**

Apr. 28, 2005 (CN) ..... 200530057905

(51) **LOC (8) Cl.** ..... **12-16**

(52) **U.S. Cl.** ..... **D12/415**

(58) **Field of Classification Search** ..... D12/400,  
D12/415, 425; D14/425, 447, 251, 253;  
D8/373, 355, 380; D6/512-513, 552, 567;  
224/483, 544, 277, 571, 901, 929; 439/265,  
439/669, 165, 534; 206/483, 277; 379/454;  
108/45

See application file for complete search history.

(56) **References Cited**

**U.S. PATENT DOCUMENTS**

D248,636 S \* 7/1978 Stanley ..... D12/415  
5,086,958 A \* 2/1992 Nagy ..... 224/544  
D332,789 S \* 1/1993 Rak ..... D12/415  
5,573,164 A \* 11/1996 Law ..... 224/483

D388,762 S \* 1/1998 Nagy ..... D12/415  
D398,796 S \* 9/1998 Fauchald et al. .... D12/415  
5,860,824 A \* 1/1999 Fan ..... 439/265  
D410,622 S \* 6/1999 Richter ..... D12/425  
6,317,497 B1 \* 11/2001 Ou ..... 379/454  
D530,333 S \* 10/2006 Richter ..... D14/447

\* cited by examiner

*Primary Examiner*—Stacia Cadmus

(74) *Attorney, Agent, or Firm*—Much Shelist Denenberg  
Ament & Rubenstein, PC

(57) **CLAIM**

The ornamental design for a retractable fixture, as shown  
and described.

**DESCRIPTION**

FIG. 1 is a front view of the retractable fixture;  
FIG. 2 is a left side view;  
FIG. 3 is a right side view;  
FIG. 4 is a rear view;  
FIG. 5 is a top view;  
FIG. 6 is a bottom view;  
FIG. 7 is a perspective view of the retractable fixture; shown  
in a closed position; and,  
FIG. 8 is a view similar to FIG. 7 showing the retractable  
fixture in an open position prior to being secured in place.

**1 Claim, 2 Drawing Sheets**

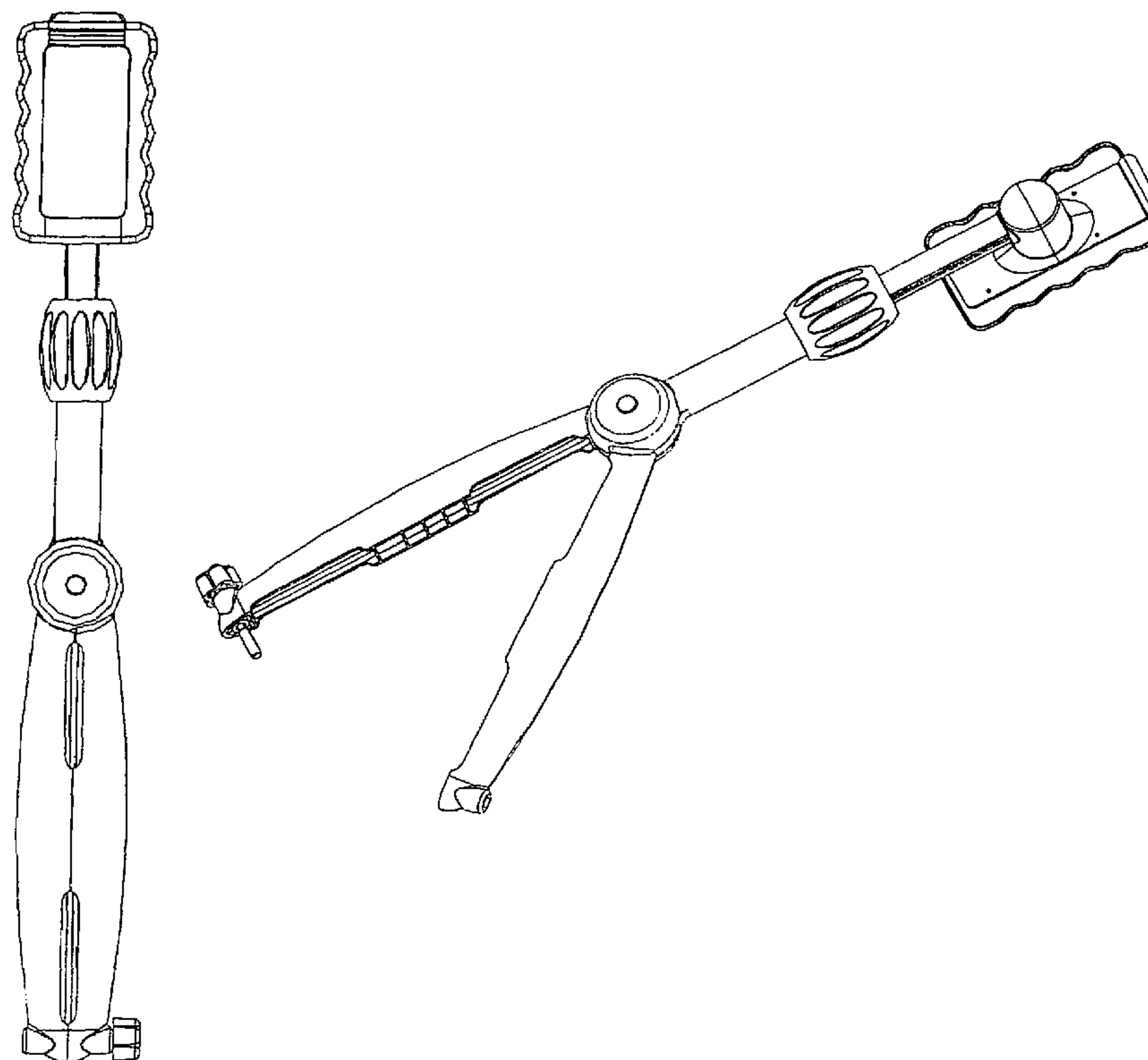


FIGURE 5

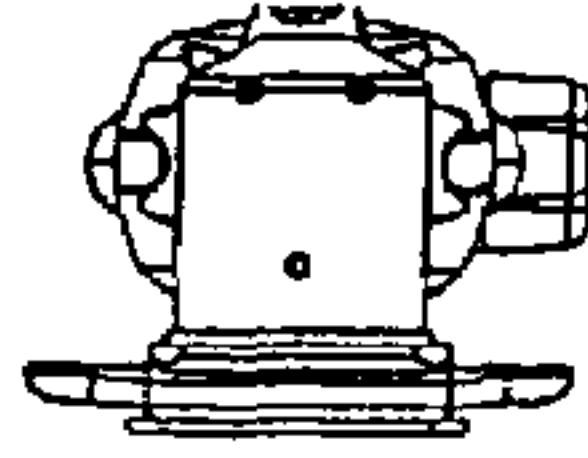


FIGURE 2

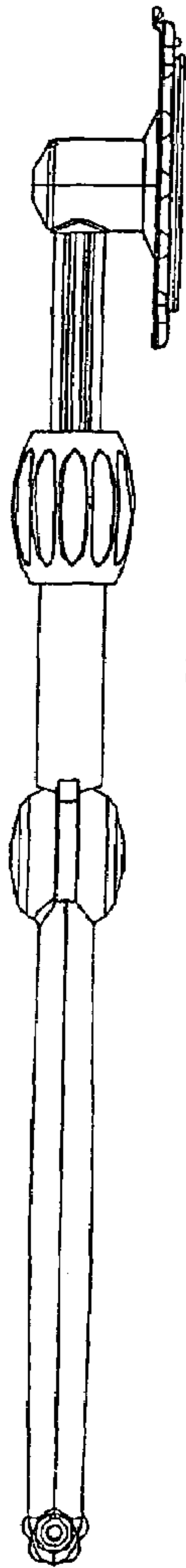


FIG. 1

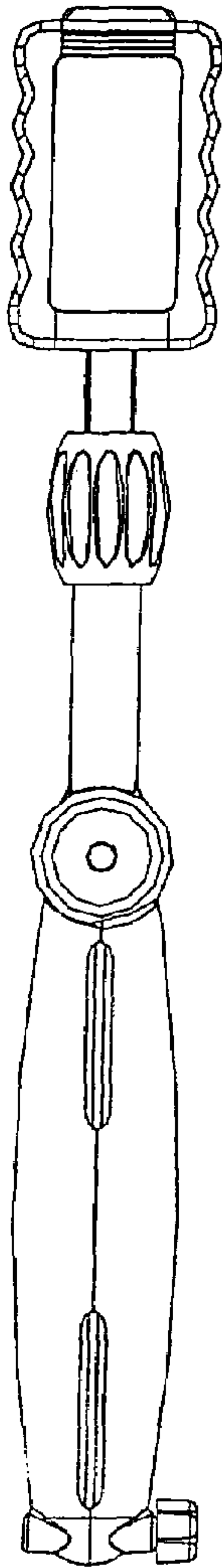


FIG. 3

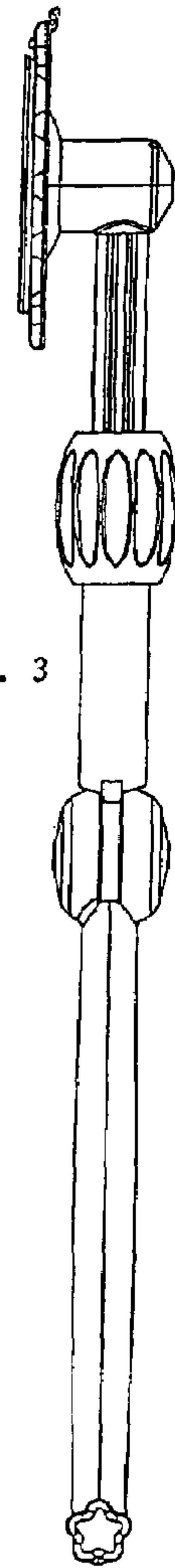


FIG. 4

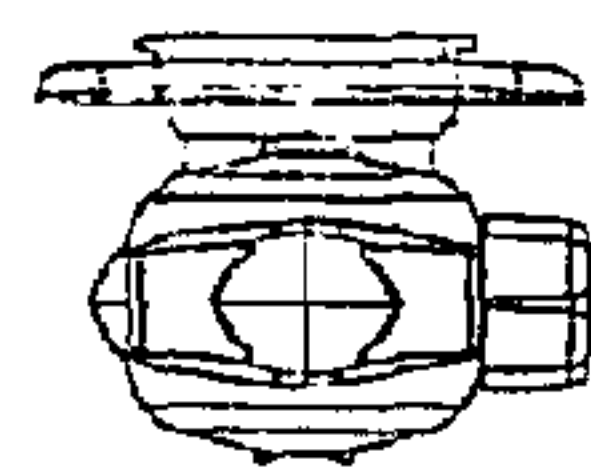
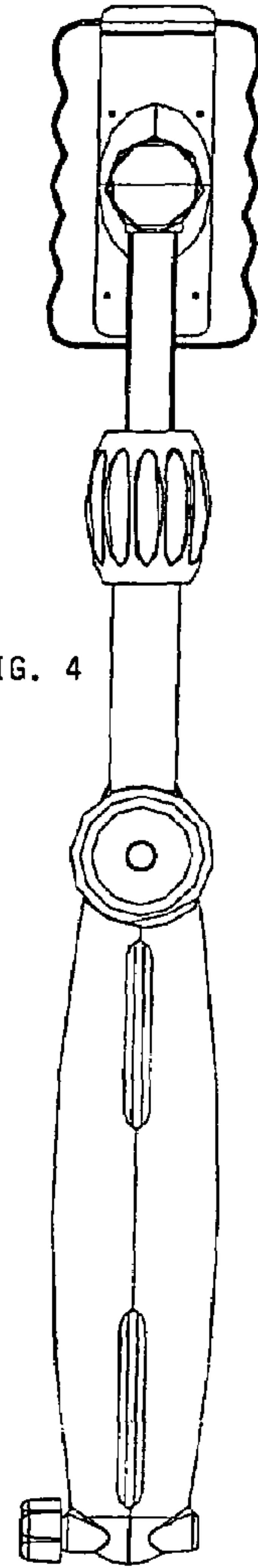


FIGURE 6

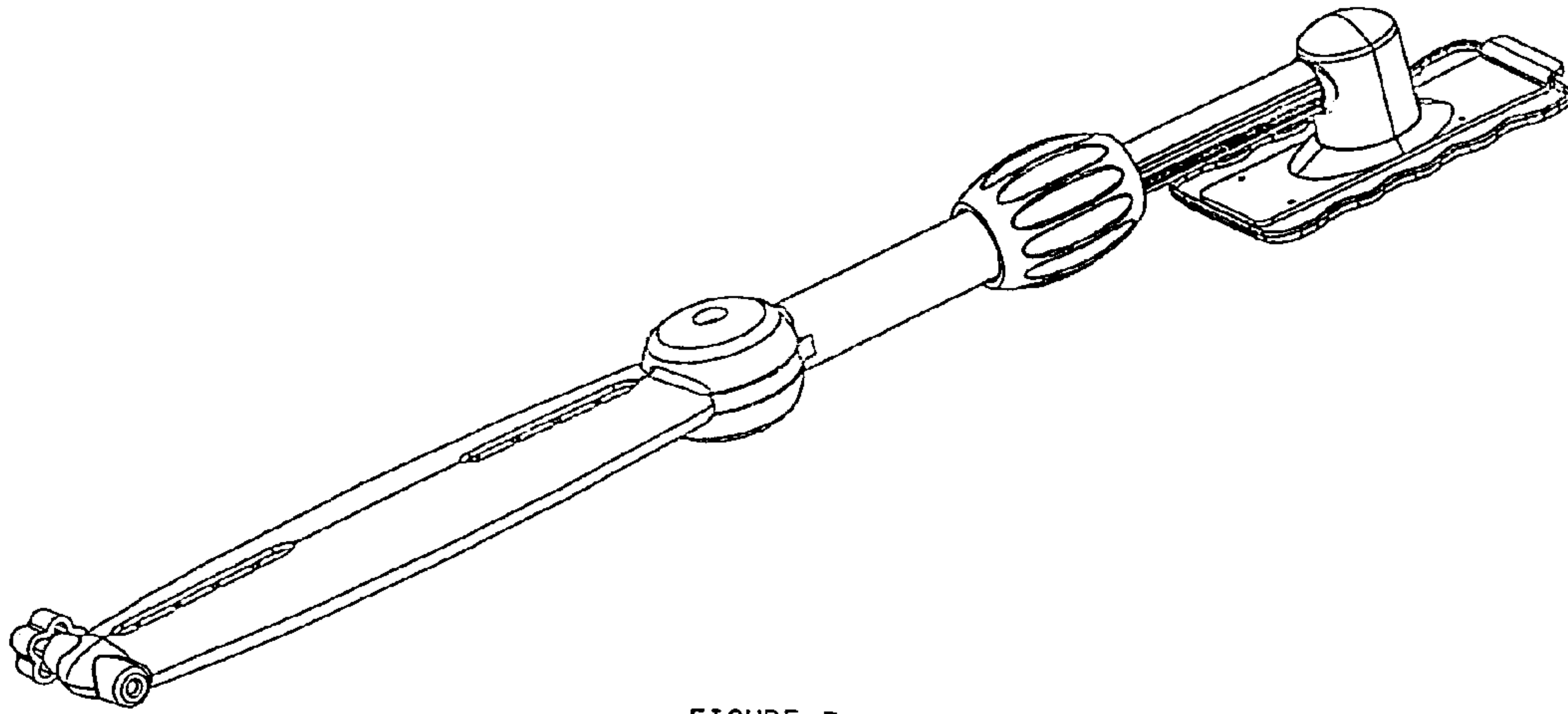


FIGURE 7

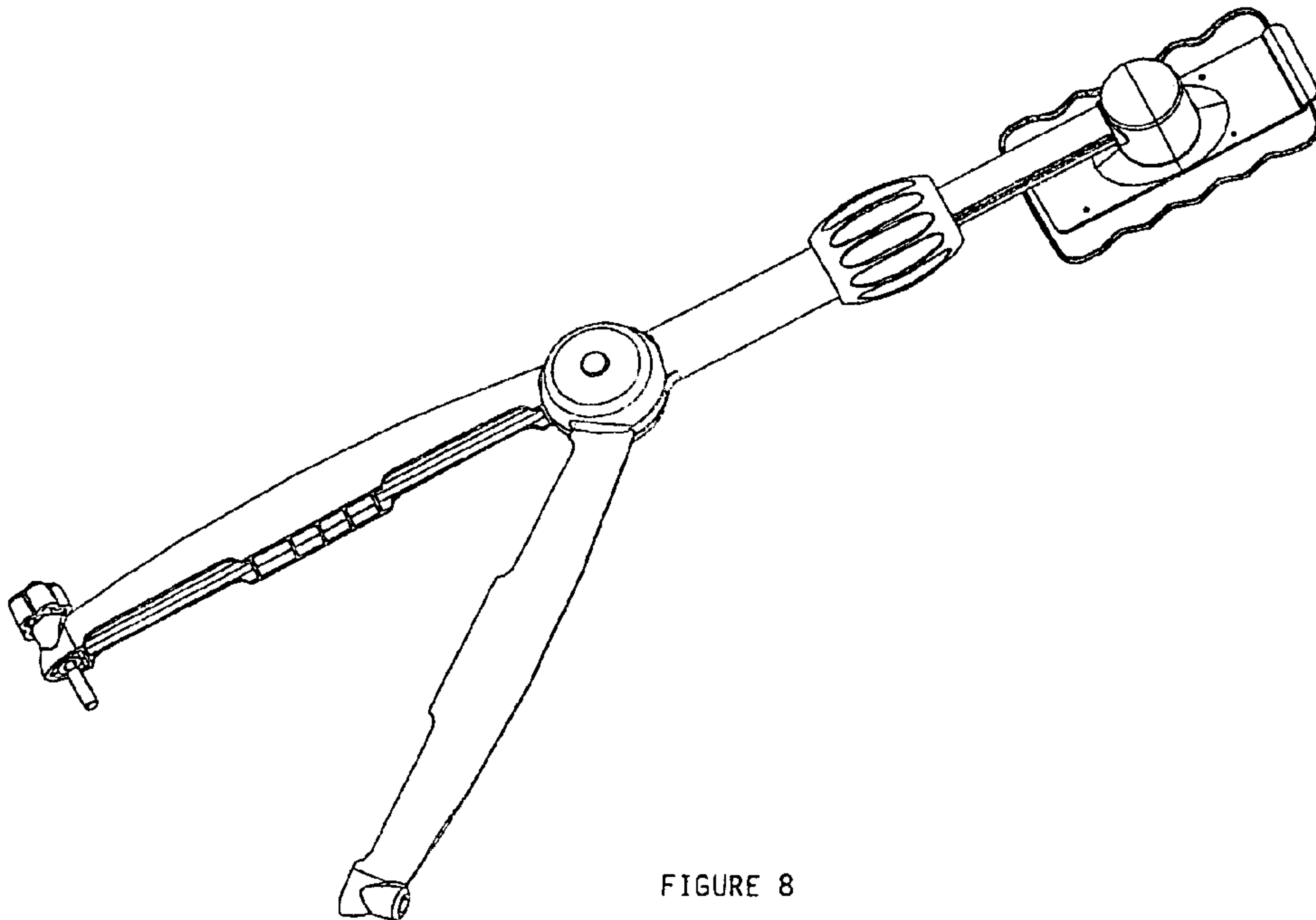


FIGURE 8