



US00D547713S

(12) **United States Design Patent**
Goeller

(10) **Patent No.:** **US D547,713 S**

(45) **Date of Patent:** **** Jul. 31, 2007**

(54) **SUPPORTING ARM FOR A WIPER BLADE**

(75) Inventor: **Alexander Goeller**, Baiersbronn (DE)

(73) Assignee: **Robert Bosch GmbH**, Stuttgart (DE)

(**) Term: **14 Years**

(21) Appl. No.: **29/222,783**

(22) Filed: **Feb. 3, 2005**

(30) **Foreign Application Priority Data**

Aug. 20, 2004 (DE) 4 04 04 750

(51) **LOC (8) Cl.** **12-06**

(52) **U.S. Cl.** **D12/220**

(58) **Field of Classification Search** D12/219-220;
15/250.31-250.33, 250.351, 250.38, 250.4,
15/250.41-44, 250.201, 250.451-250.458,
15/250.48, 250.04, 250.07, 250.44
See application file for complete search history.

(56) **References Cited**

U.S. PATENT DOCUMENTS

D152,888 S * 3/1949 Krohm D12/220

D178,840 S * 9/1956 Krohm D12/220

D342,225 S * 12/1993 Heckman et al. D12/220
D389,449 S * 1/1998 Hussaini D12/220
D395,865 S * 7/1998 Powell et al. D12/220
D410,889 S * 6/1999 Lee D12/220
D432,072 S * 10/2000 Breesch et al. D12/219

* cited by examiner

Primary Examiner—Stacia Cadmus

(74) *Attorney, Agent, or Firm*—Michael J. Striker

(57) **CLAIM**

The ornamental design for a supporting arm for a wiper blade, as shown and described.

DESCRIPTION

FIG. 1 is a front perspective view of a supporting arm for a wiper blade showing my new design;

FIG. 2 is a top view thereof;

FIG. 3 is a side view thereof;

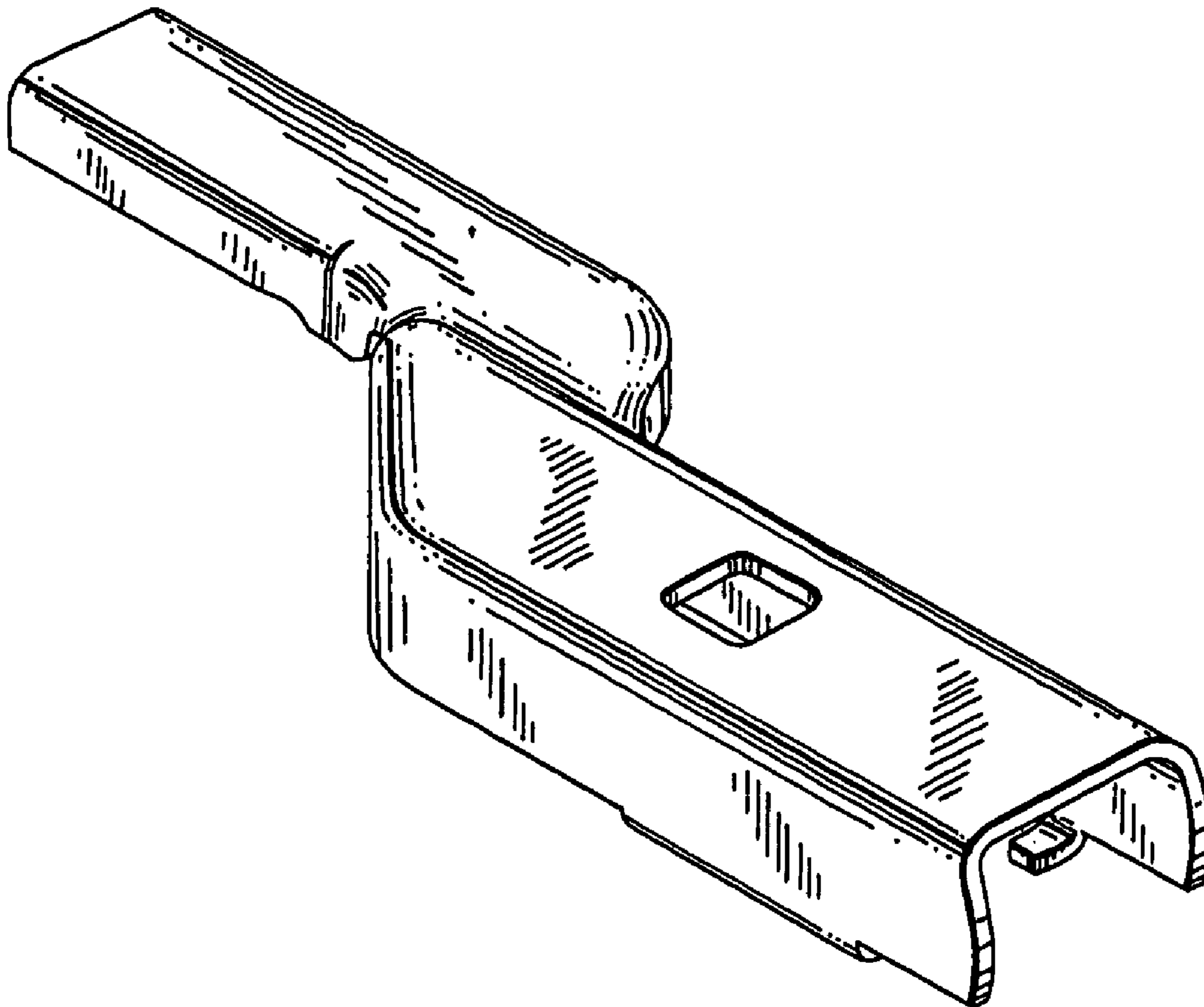
FIG. 4 is an end view thereof;

FIG. 5 is the opposite end view thereof of FIG. 4;

FIG. 6 is the opposite side view of FIG. 3 thereof; and,

FIG. 7 is a bottom view thereof.

1 Claim, 3 Drawing Sheets



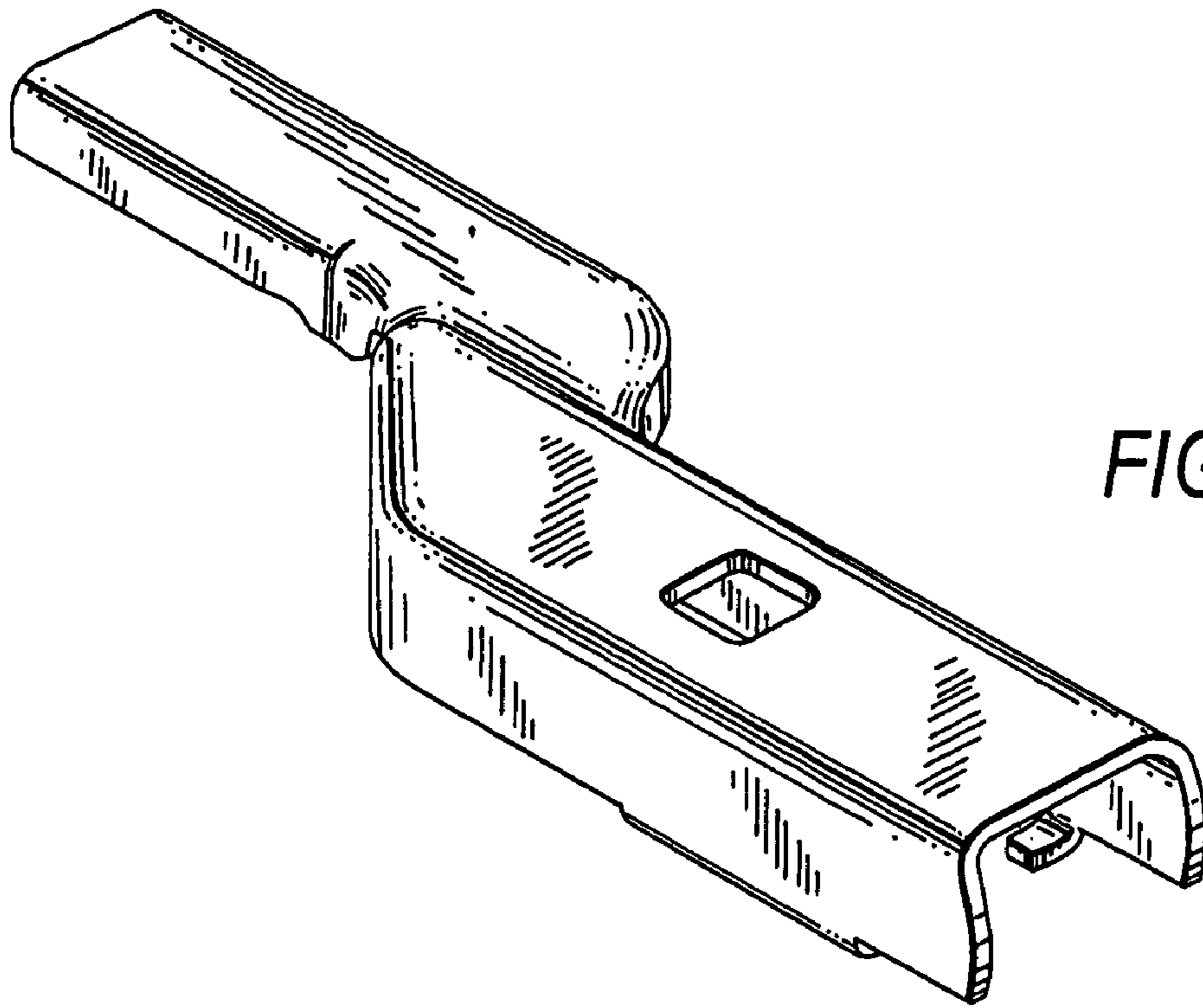


FIG. 1

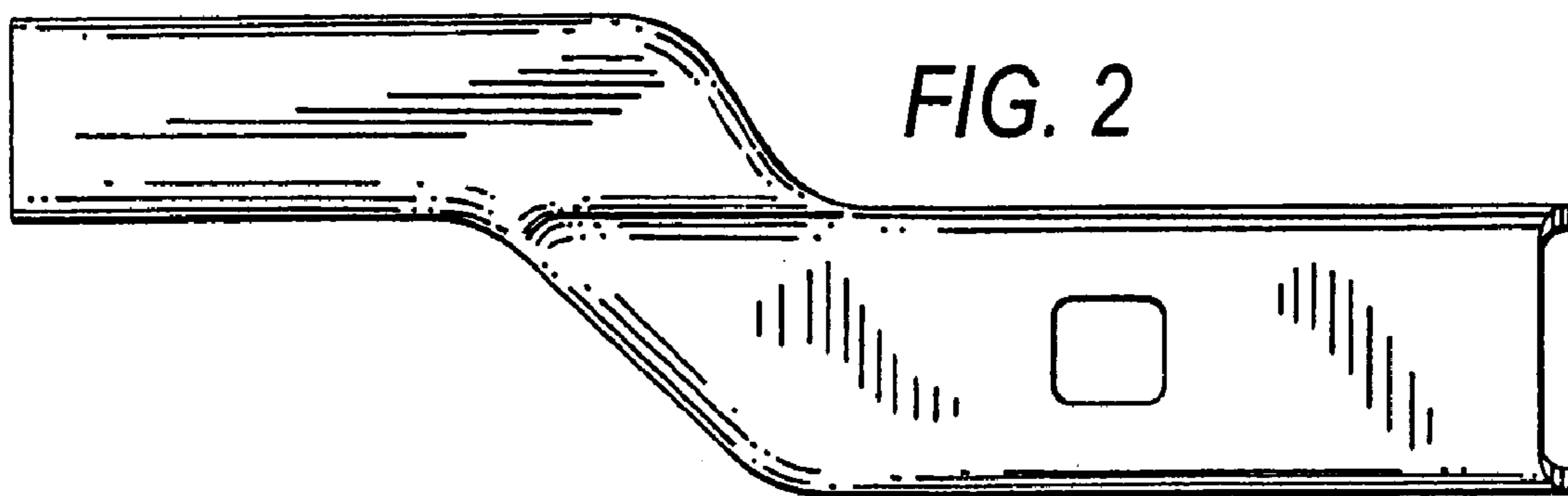


FIG. 2

FIG. 3

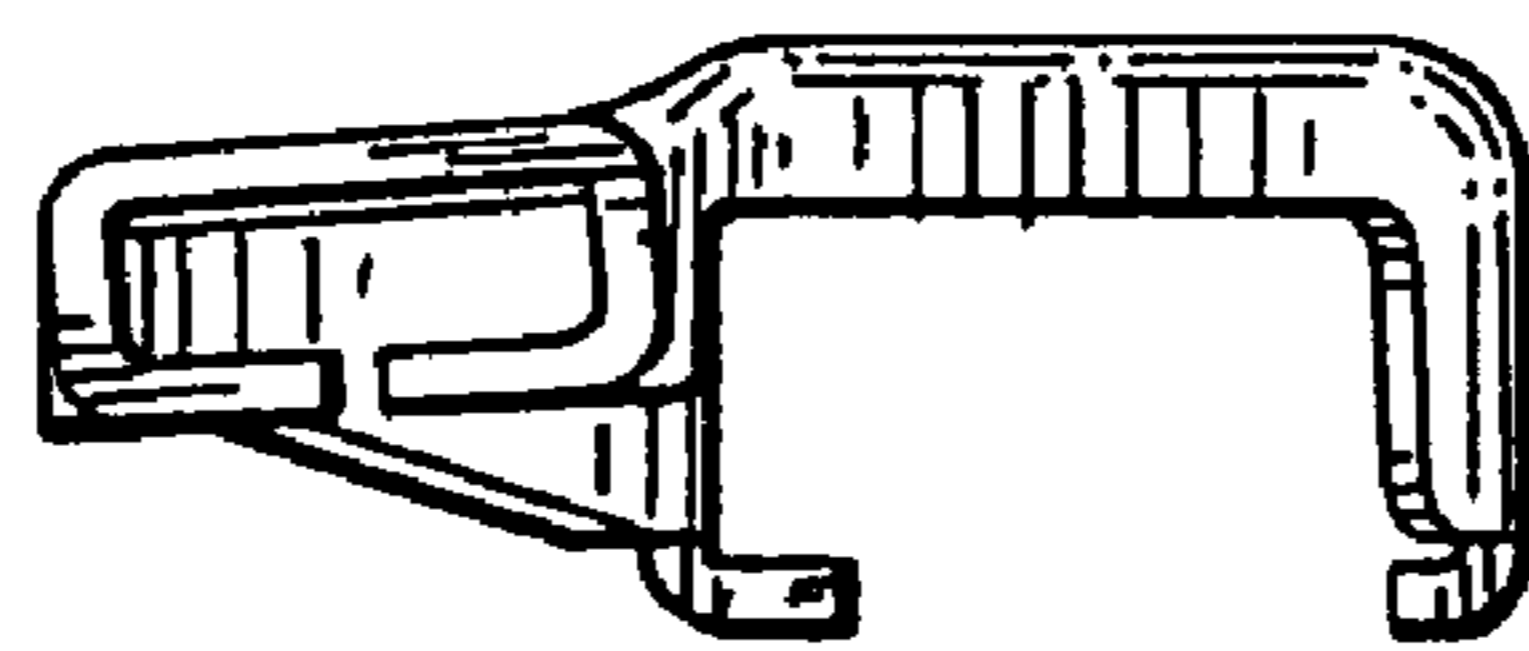
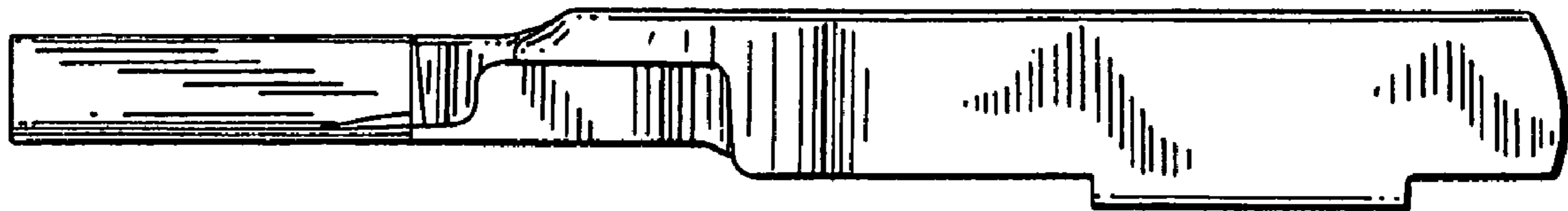


FIG. 4

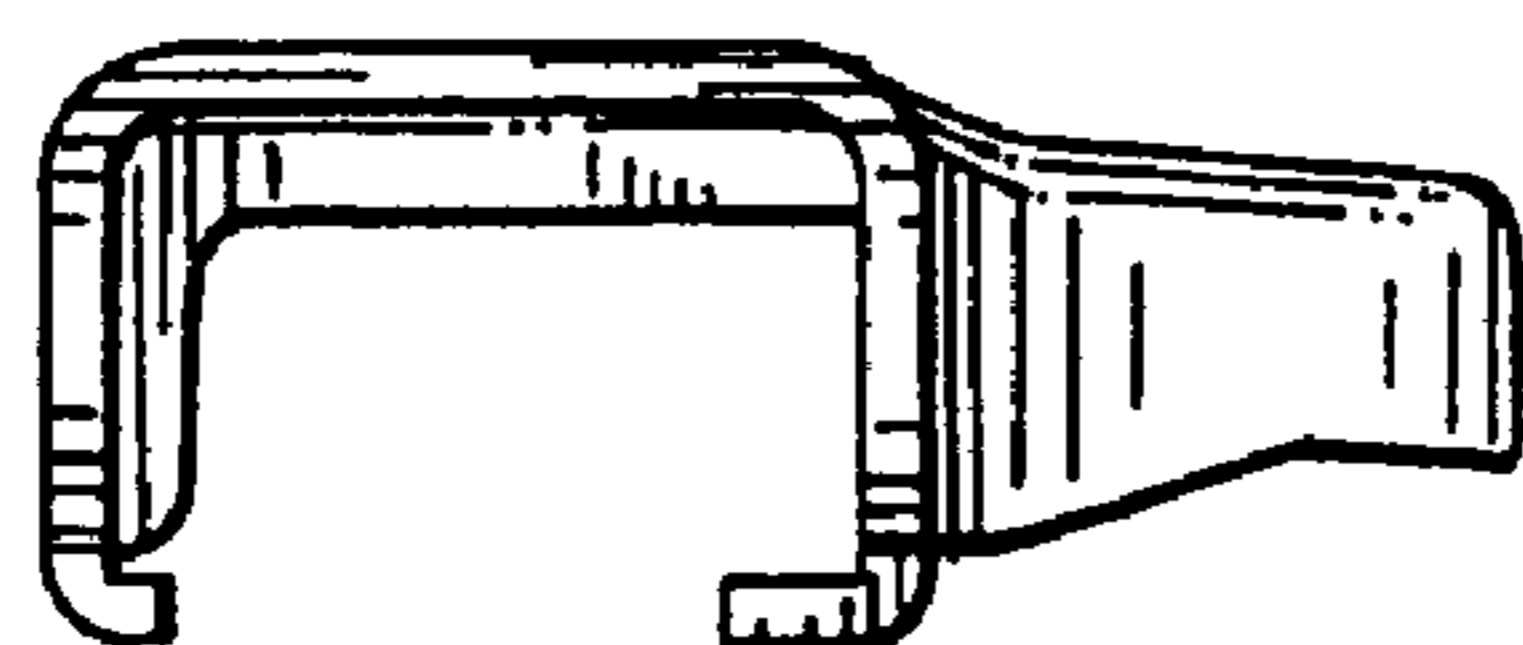


FIG. 5

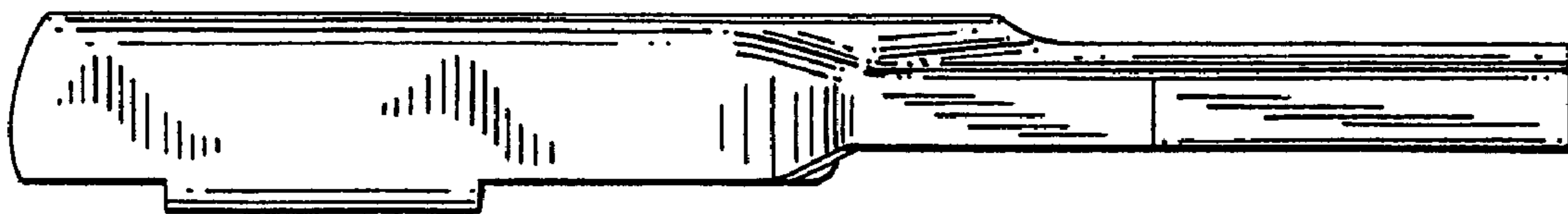


FIG. 6

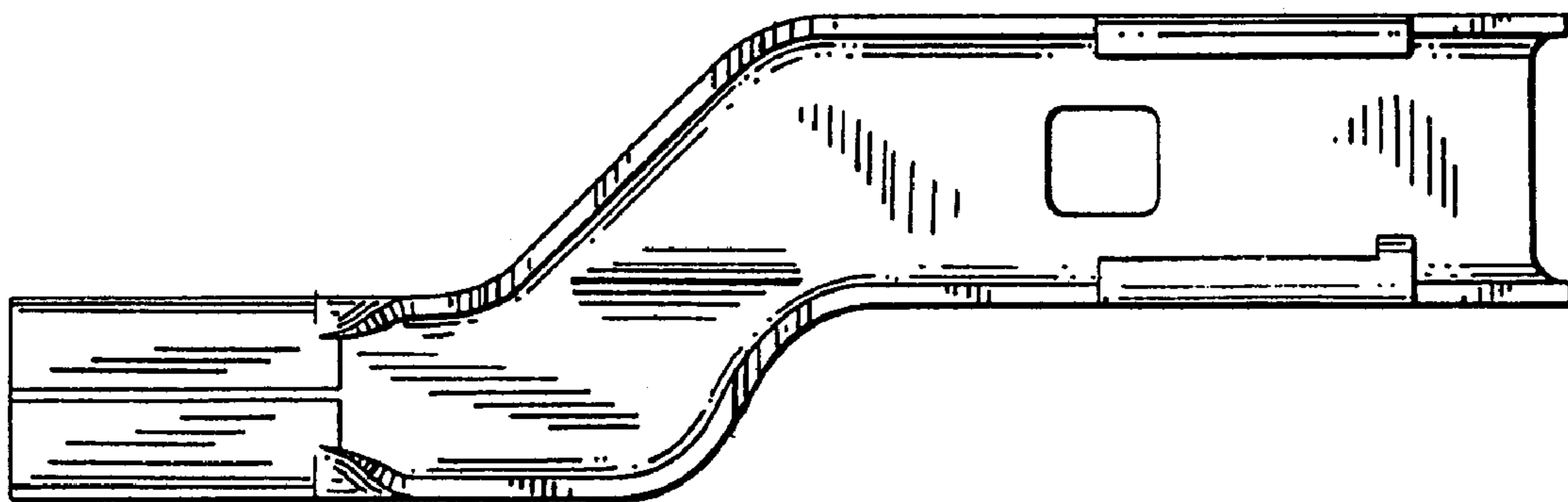


FIG. 7