



US00D547711S

(12) **United States Design Patent**
Young

(10) **Patent No.:** **US D547,711 S**

(45) **Date of Patent:** **** Jul. 31, 2007**

(54) **AUTOMOTIVE WHEEL**

(75) Inventor: **Philip B. Young**, Industry, CA (US)

(73) Assignee: **Master Pacific**, Shanghai (CN)

(**) Term: **14 Years**

(21) Appl. No.: **29/272,239**

(22) Filed: **Feb. 5, 2007**

(51) **LOC (8) Cl.** **12-16**

(52) **U.S. Cl.** **D12/211**

(58) **Field of Classification Search** D12/204-213;
301/37.101, 64.101, 65

See application file for complete search history.

(56) **References Cited**

U.S. PATENT DOCUMENTS

D457,478 S *	5/2002	Minamisawa	D12/211
D463,769 S *	10/2002	Chung	D12/211
D492,235 S *	6/2004	Nordmann	D12/211
D504,382 S *	4/2005	Elmitt	D12/211
D520,933 S *	5/2006	Pfeiffer	D12/211
D522,430 S *	6/2006	Nordmann	D12/209
D523,801 S *	6/2006	Madden	D12/211

D525,184 S *	7/2006	Huet	D12/211
D525,930 S *	8/2006	Matsumoto	D12/211
D529,854 S *	10/2006	Scheu	D12/211
D532,356 S *	11/2006	Bernoni	D12/211
D532,739 S *	11/2006	Ettensberger	D12/211
D535,935 S *	1/2007	Scheu	D12/211
D537,026 S *	2/2007	Nordmann	D12/209
D539,722 S *	4/2007	Pfeiffer	D12/211
D540,238 S *	4/2007	Sycha	D12/209

* cited by examiner

Primary Examiner—Stacia Cadmus

(57) **CLAIM**

The ornamental design for an automotive wheel, as shown and described.

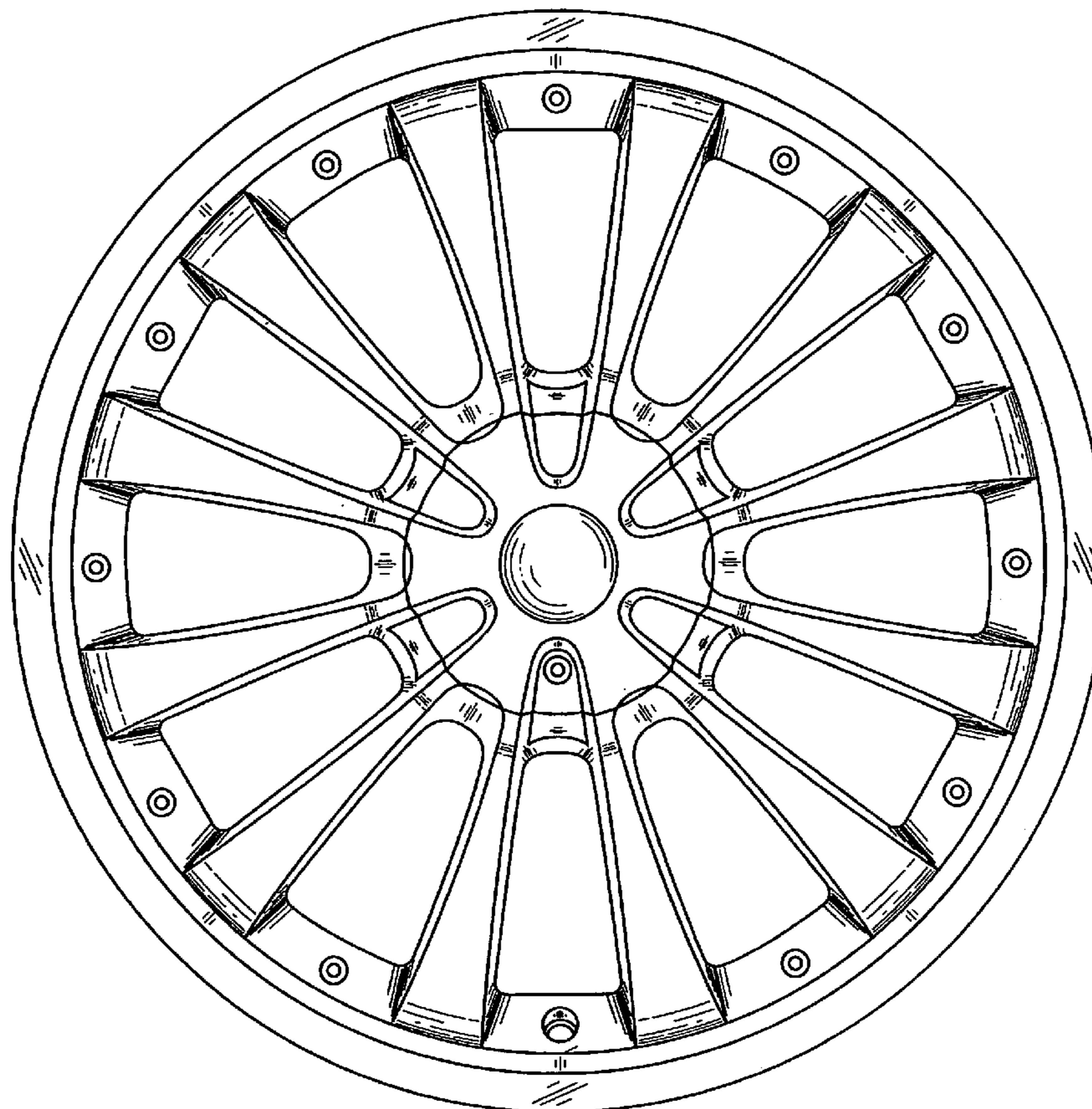
DESCRIPTION

FIG. 1 is a perspective view of an automotive wheel showing my new design; and,

FIG. 2 is a front elevational view of an automotive wheel showing the design herein described.

The broken lines showing the environment are for illustrative purposes only, and form no part of the claimed design.

1 Claim, 2 Drawing Sheets



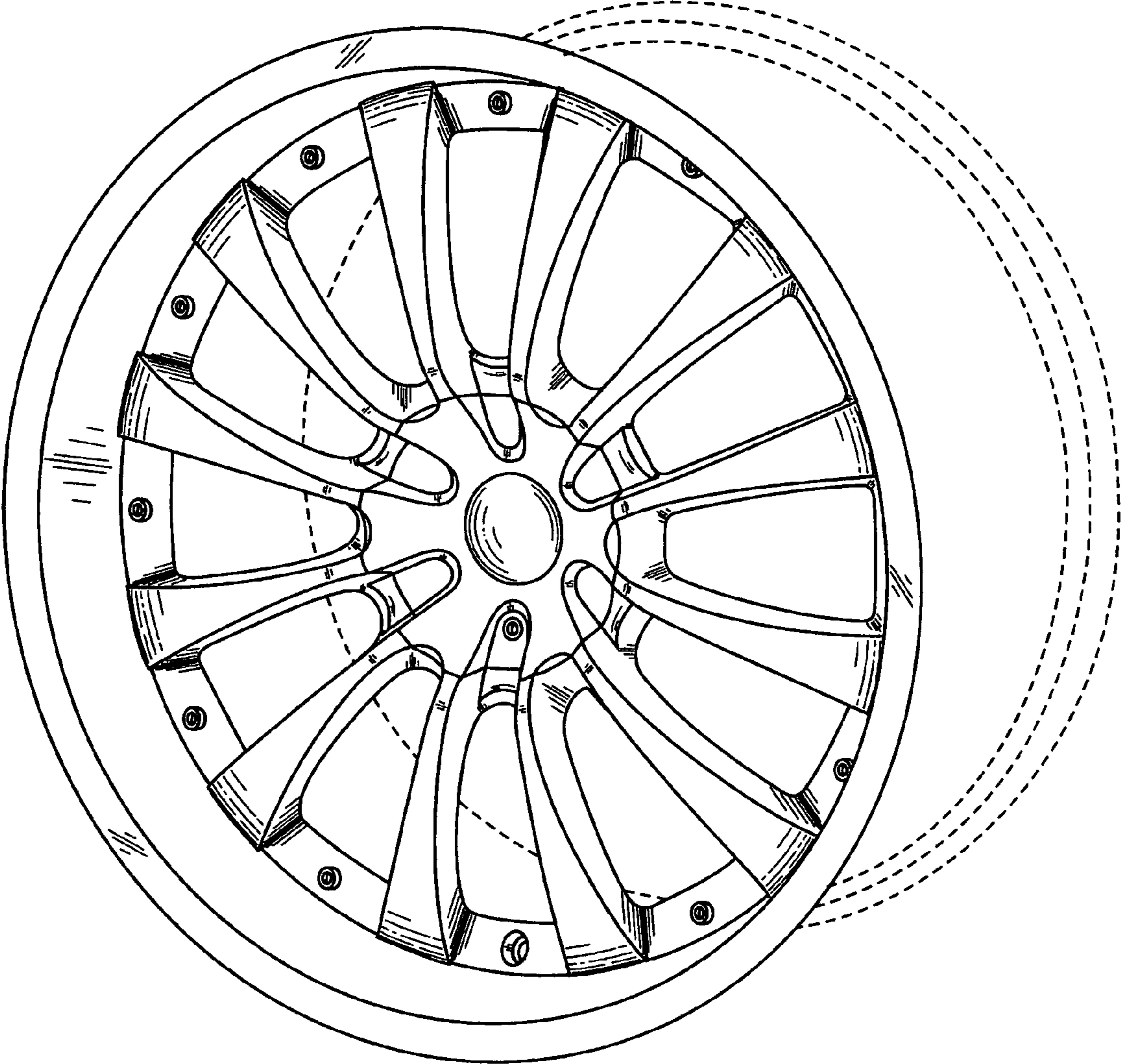


Fig. 1

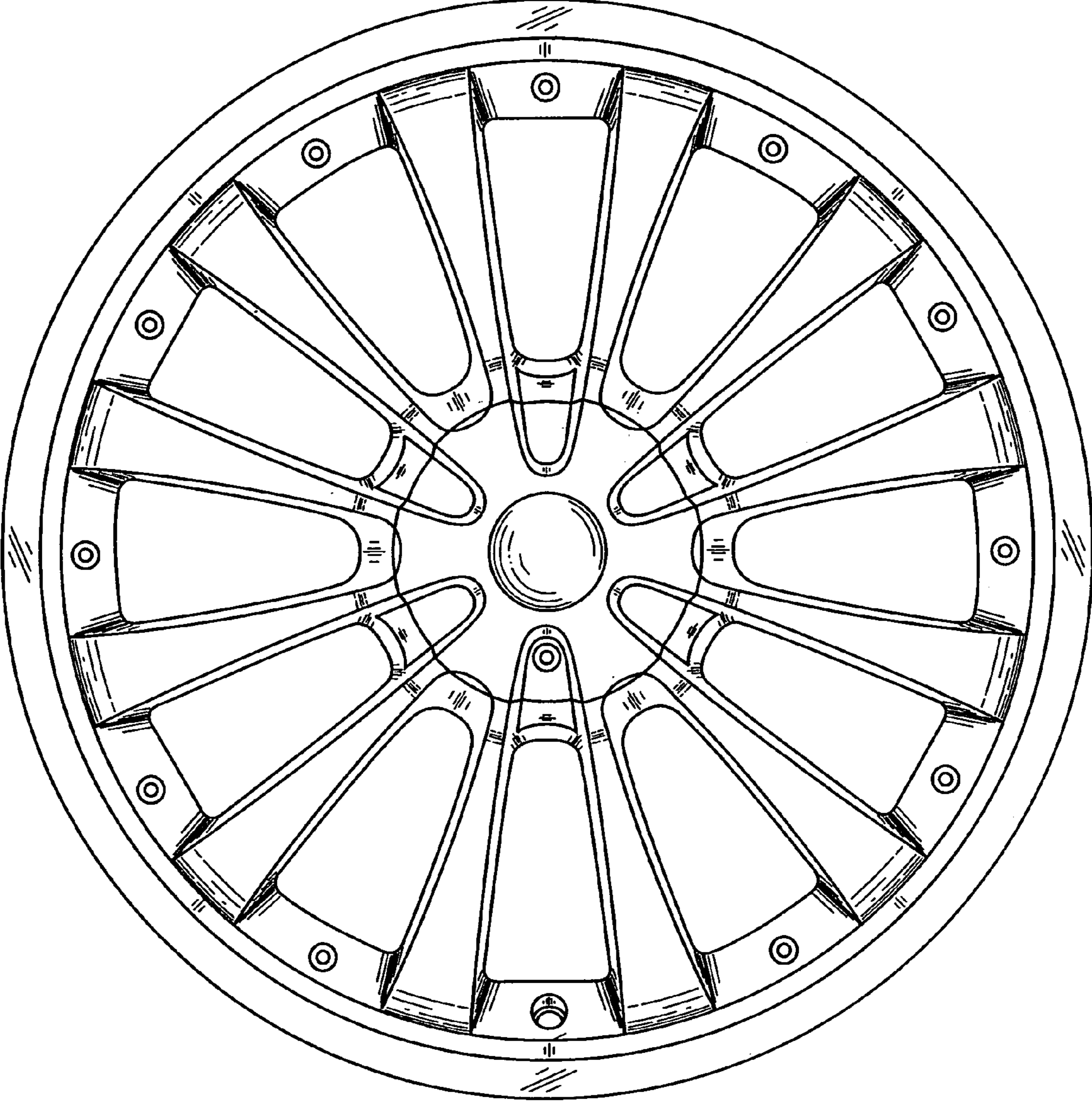


Fig. 2