

US00D547707S

(12) **United States Design Patent**  
**Kulla**

(10) **Patent No.:** **US D547,707 S**  
(45) **Date of Patent:** **\*\* Jul. 31, 2007**

(54) **REAR SPOILER FOR A VEHICLE**

(75) Inventor: **Matthias Kulla**, Leonberg (DE)

(73) Assignee: **Dr. Ing. h.c.F. Porsche Aktiengesellschaft**, Stuttgart (DE)

(\*\*) Term: **14 Years**

(21) Appl. No.: **29/270,516**

(22) Filed: **Dec. 27, 2006**

(30) **Foreign Application Priority Data**

Jun. 28, 2006 (EM) ..... 000551825-0001

(51) **LOC (8) Cl.** ..... **12-08**

(52) **U.S. Cl.** ..... **D12/181**

(58) **Field of Classification Search** ..... D12/181,  
D12/191, 196, 400, 190, 88; 280/727, 770,  
280/848; 296/180.1-180.5, 91; 180/903  
See application file for complete search history.

(56) **References Cited**

**U.S. PATENT DOCUMENTS**

4,558,898 A \* 12/1985 Deaver ..... 296/180.1  
D365,782 S \* 1/1996 Reynard et al. .... D12/88  
D422,544 S \* 4/2000 Carlson et al. .... D12/181  
D441,331 S \* 5/2001 Hatter ..... D12/181  
D465,180 S \* 11/2002 Yokomaku ..... D12/181

D467,843 S \* 12/2002 Hatter ..... D12/181  
D473,831 S \* 4/2003 Saleen ..... D12/181  
D514,486 S \* 2/2006 Preuninger et al. .... D12/181  
D519,892 S \* 5/2006 Kulla ..... D12/181

\* cited by examiner

*Primary Examiner*—Stacia Cadmus

(74) *Attorney, Agent, or Firm*—Crowell & Moring LLP

(57) **CLAIM**

The ornamental design for a rear spoiler for a vehicle, as shown and described.

**DESCRIPTION**

FIG. 1 is a left, front perspective view of a rear spoiler for a vehicle according to my novel design, the right, front perspective view being mirror symmetrical;

FIG. 2 is a rear view thereof;

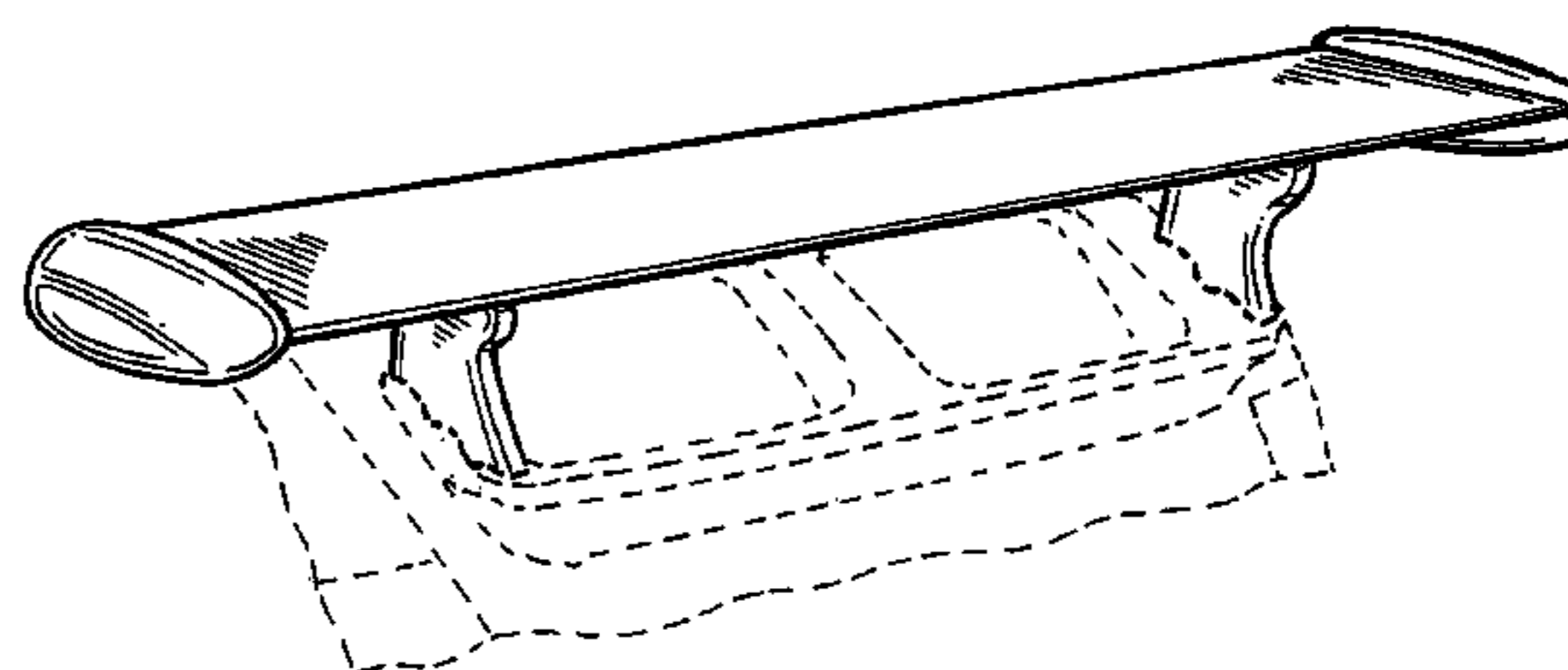
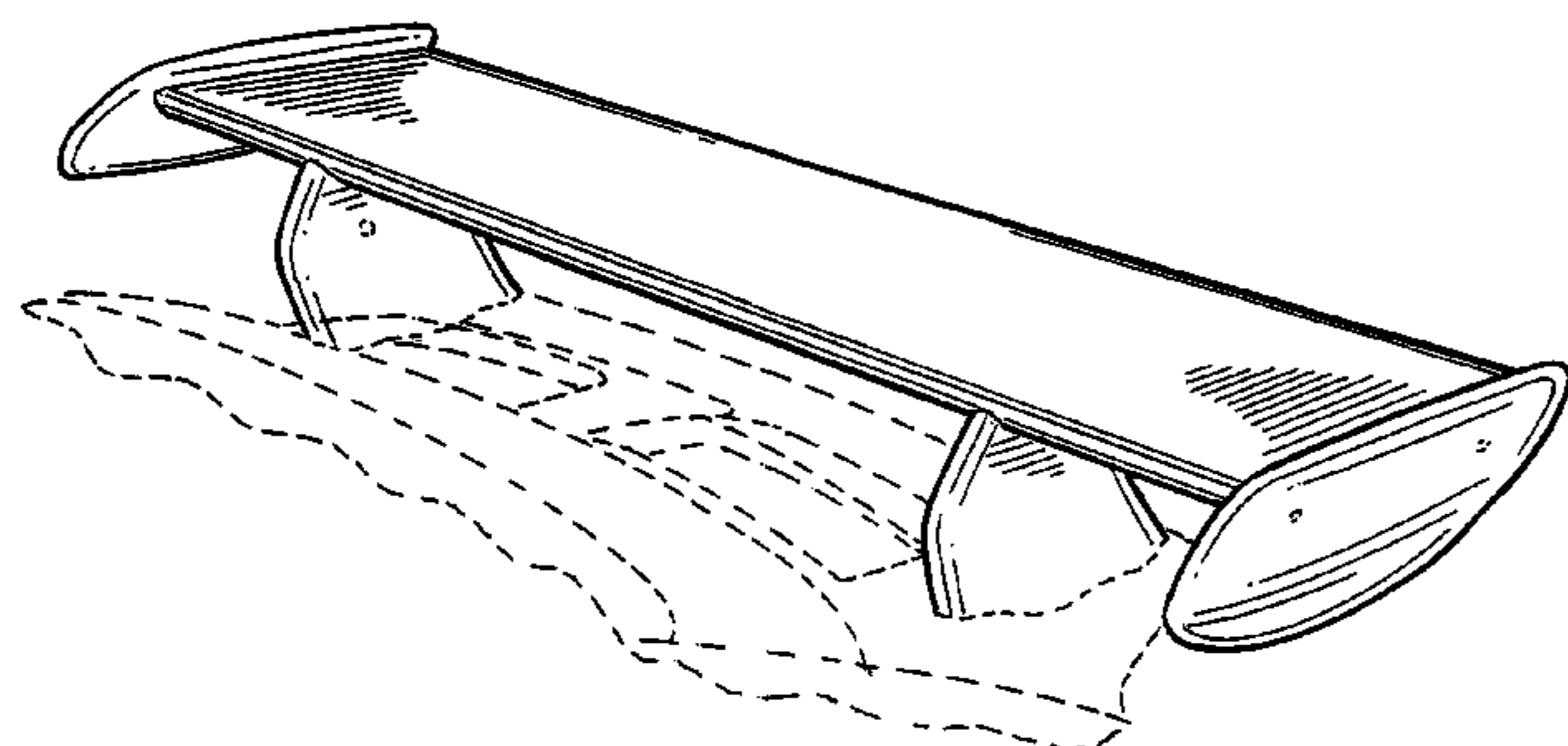
FIG. 3 is a left, rear perspective view thereof, the right, rear perspective view being mirror symmetrical;

FIG. 4 is a left, rear perspective view thereof, the right, rear perspective view being mirror symmetrical; and,

FIG. 5 is a top view thereof.

The broken lines are for illustrative purposes only and form no part of the claimed design.

**1 Claim, 3 Drawing Sheets**



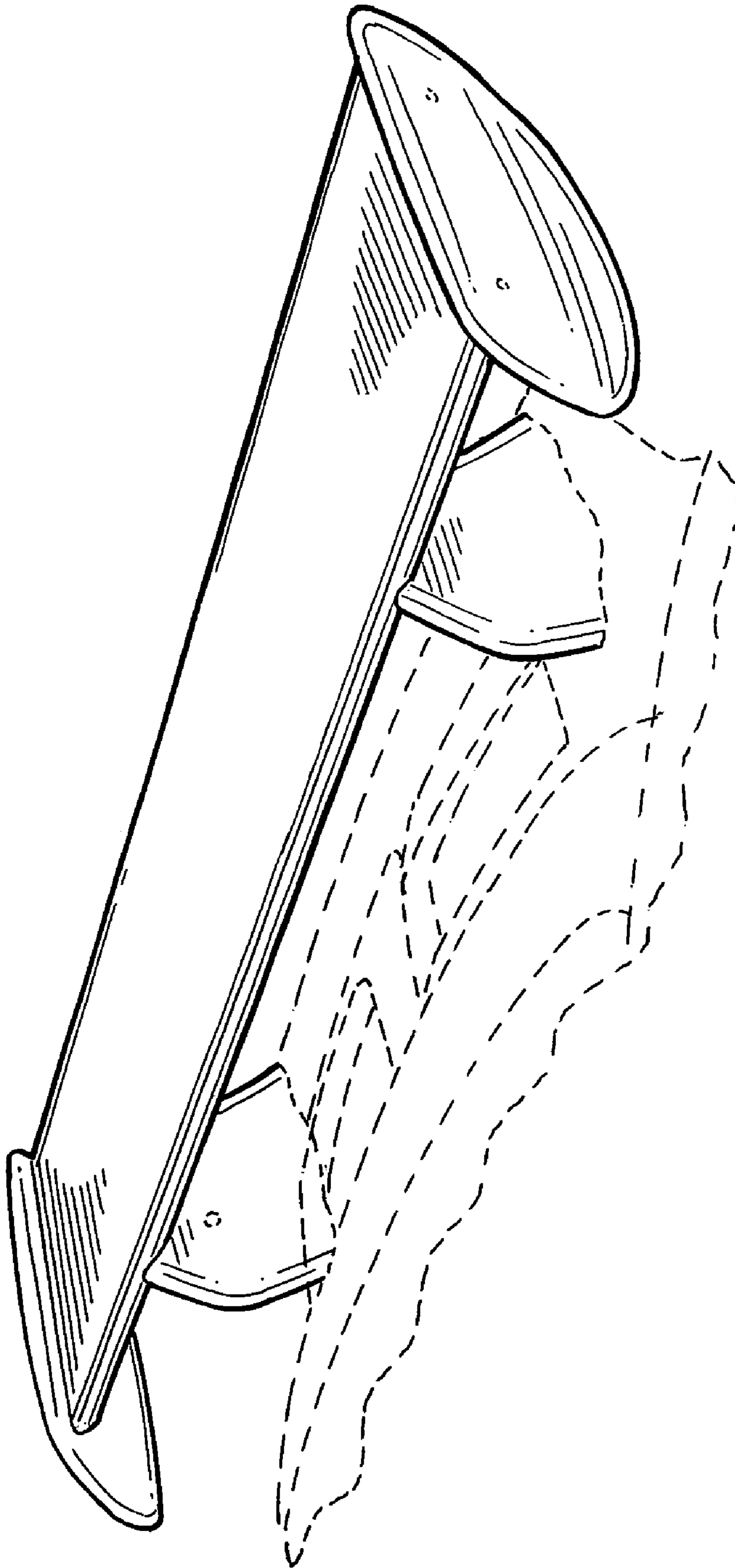


FIG. 1

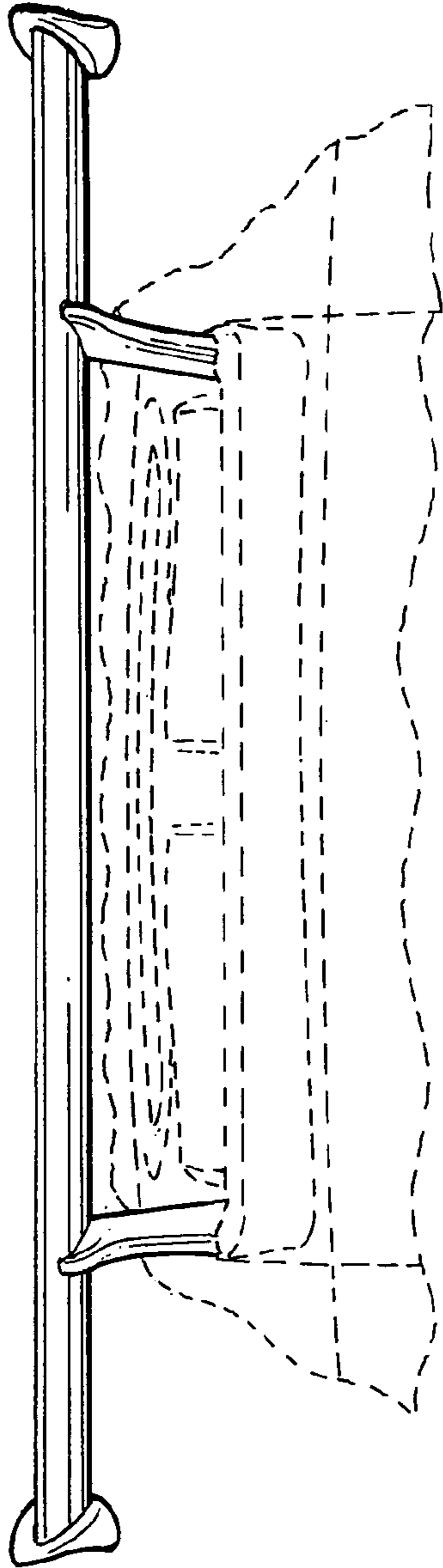


FIG. 2

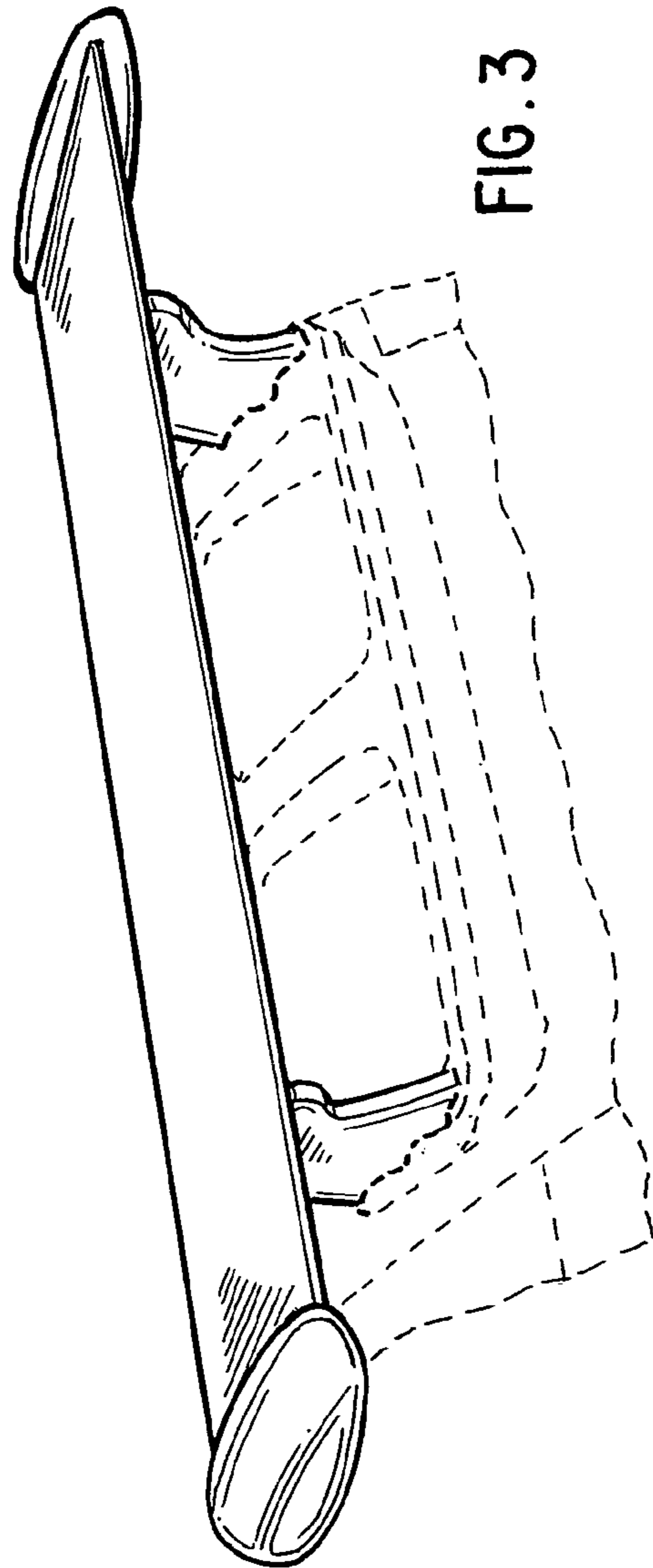


FIG. 3

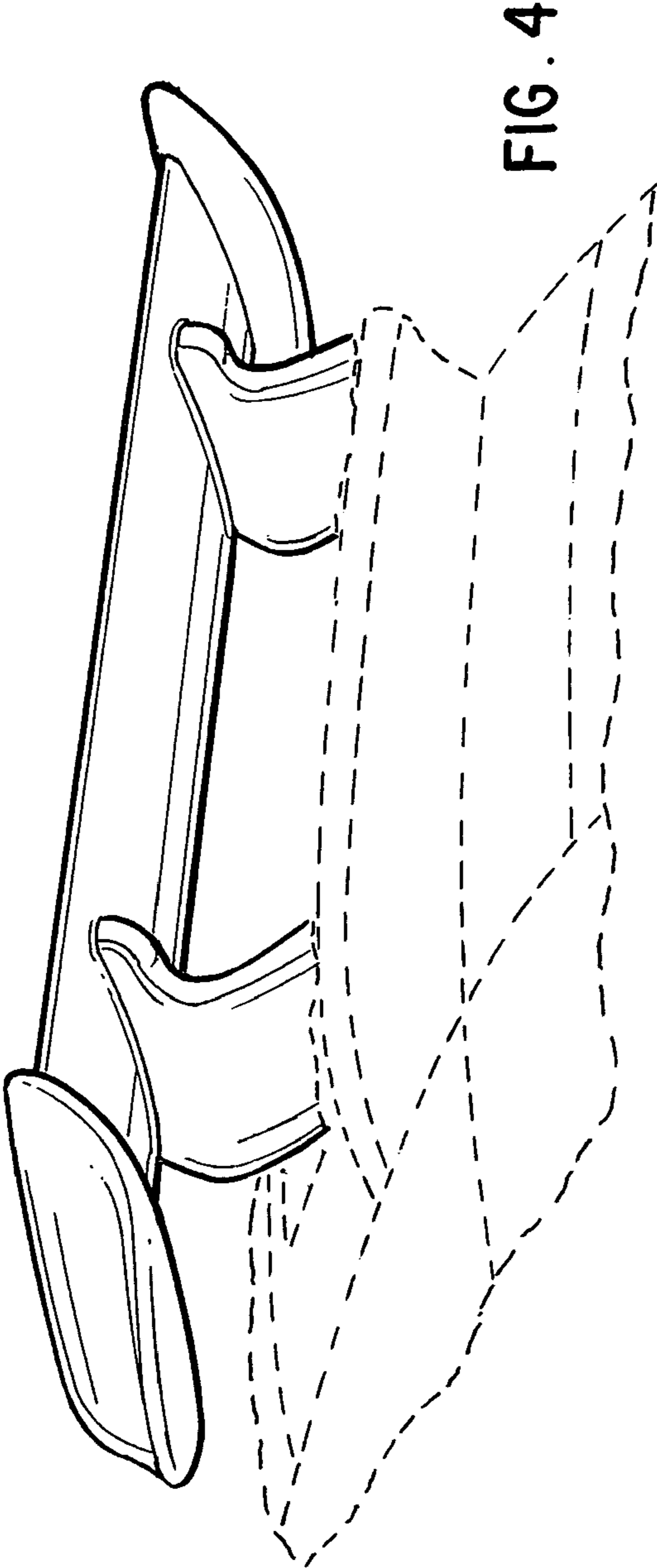


FIG. 4

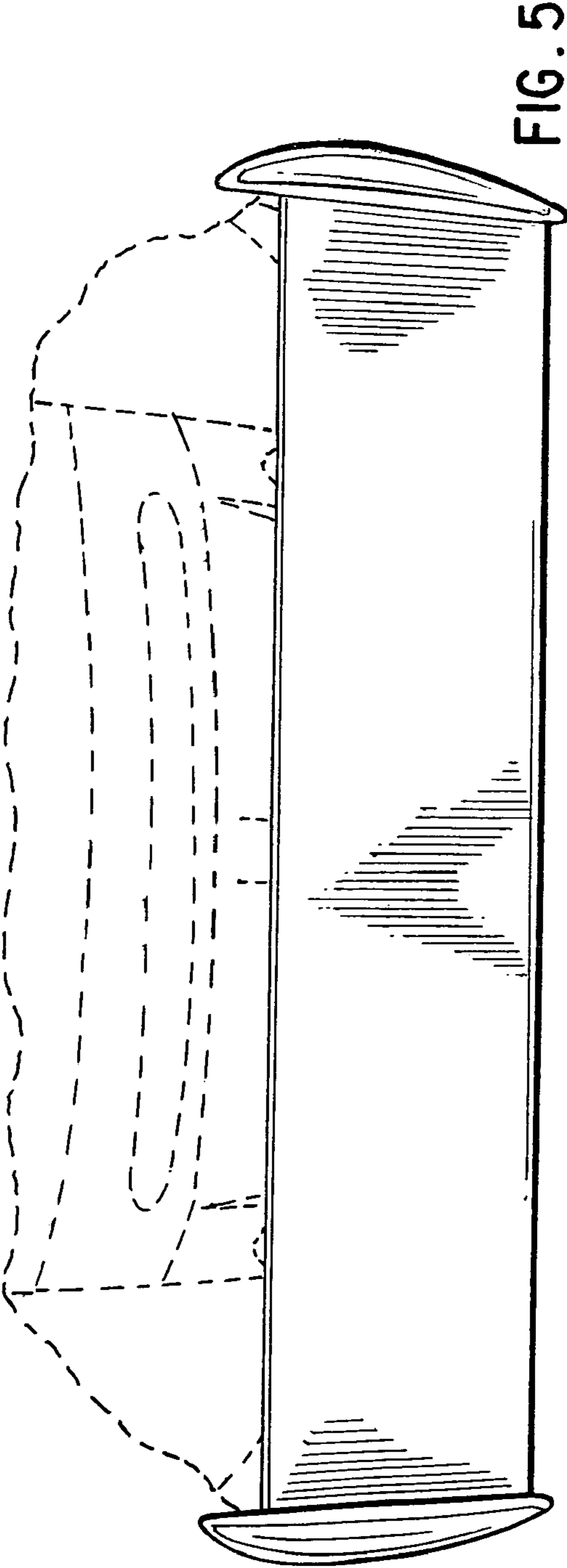


FIG. 5