

US00D547701S

(12) **United States Design Patent**  
**Vey**

(10) **Patent No.:** **US D547,701 S**

(45) **Date of Patent:** **\*\* Jul. 31, 2007**

(54) **TRIKE BODY**

(75) Inventor: **Jeffrey L. Vey**, Troup, TX (US)

(73) Assignee: **Thoroughbred Motorsports, Inc.**,  
Troup, TX (US)

(\*\*) Term: **14 Years**

(21) Appl. No.: **29/254,238**

(22) Filed: **Feb. 17, 2006**

(51) **LOC (8) Cl.** ..... **12-11**

(52) **U.S. Cl.** ..... **D12/110**

(58) **Field of Classification Search** ..... D12/85,  
D12/107, 110, 112; 180/219, 220, 210-217,  
180/16; 296/78.1, 181.1, 181.4; 280/282,  
280/288.2

See application file for complete search history.

(56) **References Cited**

**U.S. PATENT DOCUMENTS**

D175,558 S *	9/1955	Laub	.....	D12/110
4,423,795 A *	1/1984	Winchell et al.	.....	180/215
D292,565 S *	11/1987	Badsey	.....	D12/85
D529,841 S *	10/2006	Vey	.....	D12/110

\* cited by examiner

*Primary Examiner*—Alan P. Douglas

*Assistant Examiner*—Linda Brooks

(74) *Attorney, Agent, or Firm*—Jones, Walker, Waechter,  
Poitevent, Carrere & Denegre, L.L.P.

(57) **CLAIM**

The ornamental design for a trike body, as shown and described.

**DESCRIPTION**

FIG. 1 is a left side view of the trike body.

FIG. 2 is a left front view of the trike body.

FIG. 3 is a right side view of the trike body.

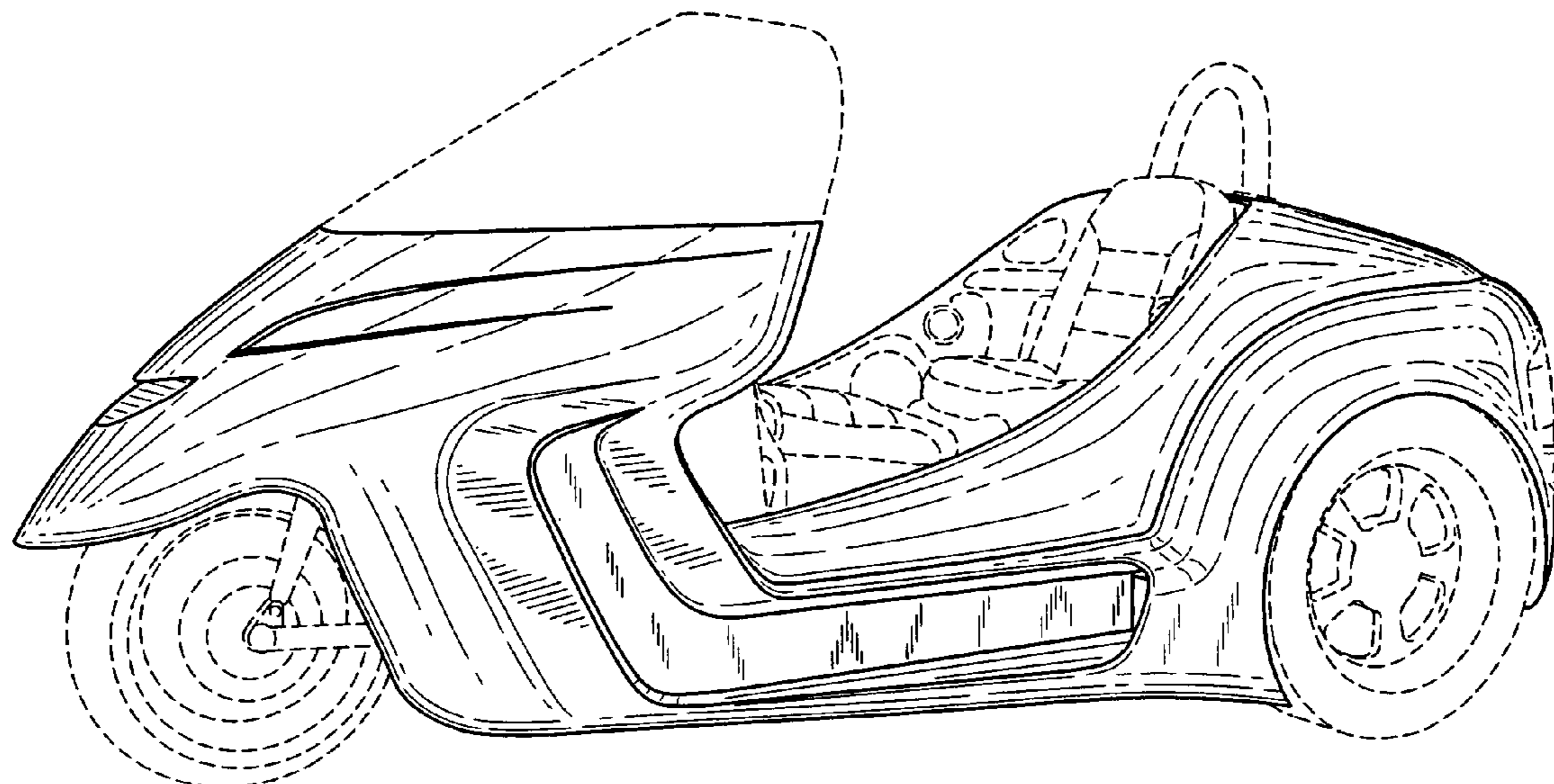
FIG. 4 is a rear view of the trike body.

FIG. 5 is a front elevation view of the trike body; and,

FIG. 6 is a rear elevation view of the trike body.

The broken lines immediately adjacent the shaded areas represent boundaries of the claimed design and form no part thereof, while the other broken lines show environmental elements which form no part of the claimed design.

**1 Claim, 6 Drawing Sheets**



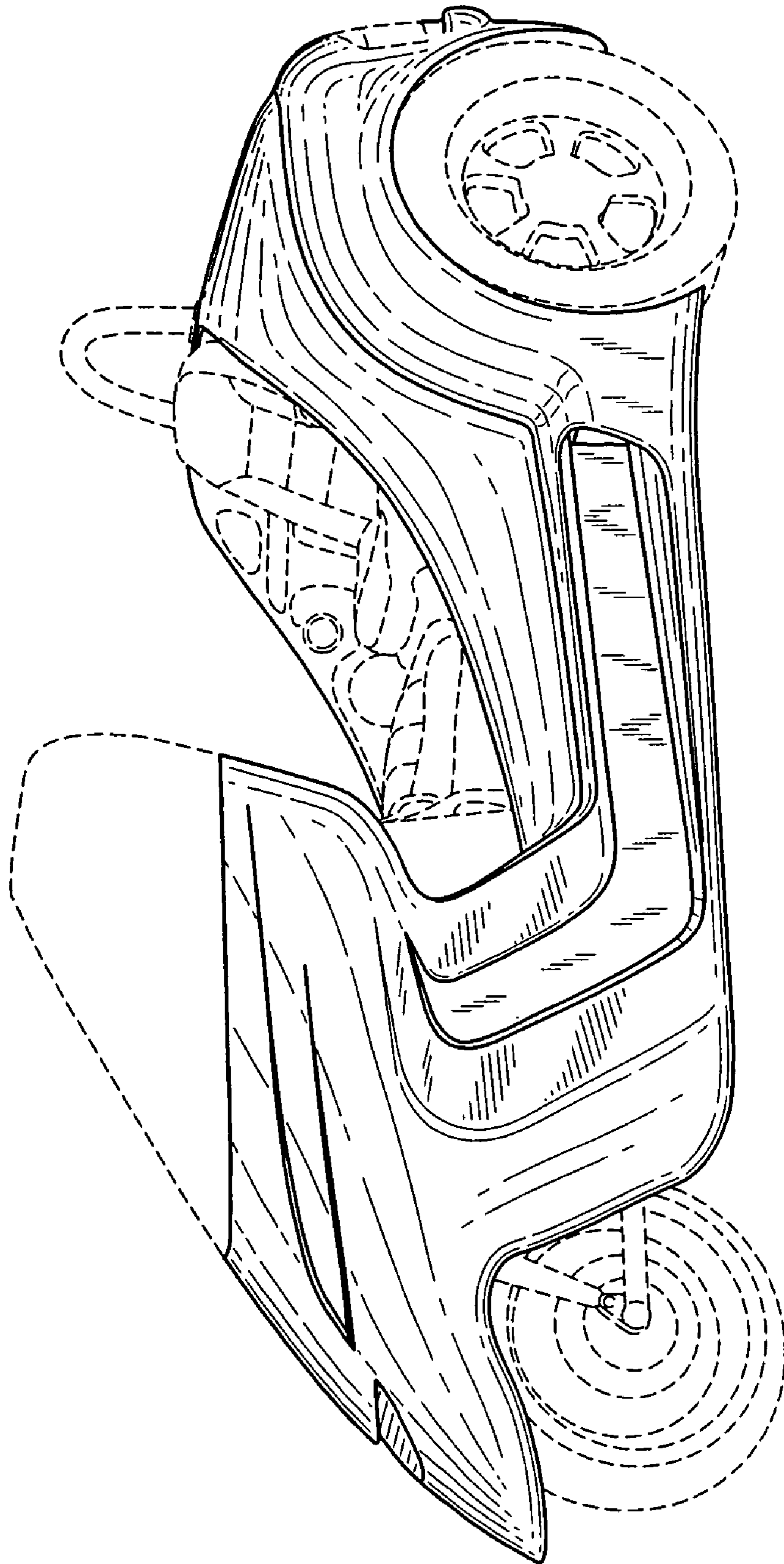


FIG. 1

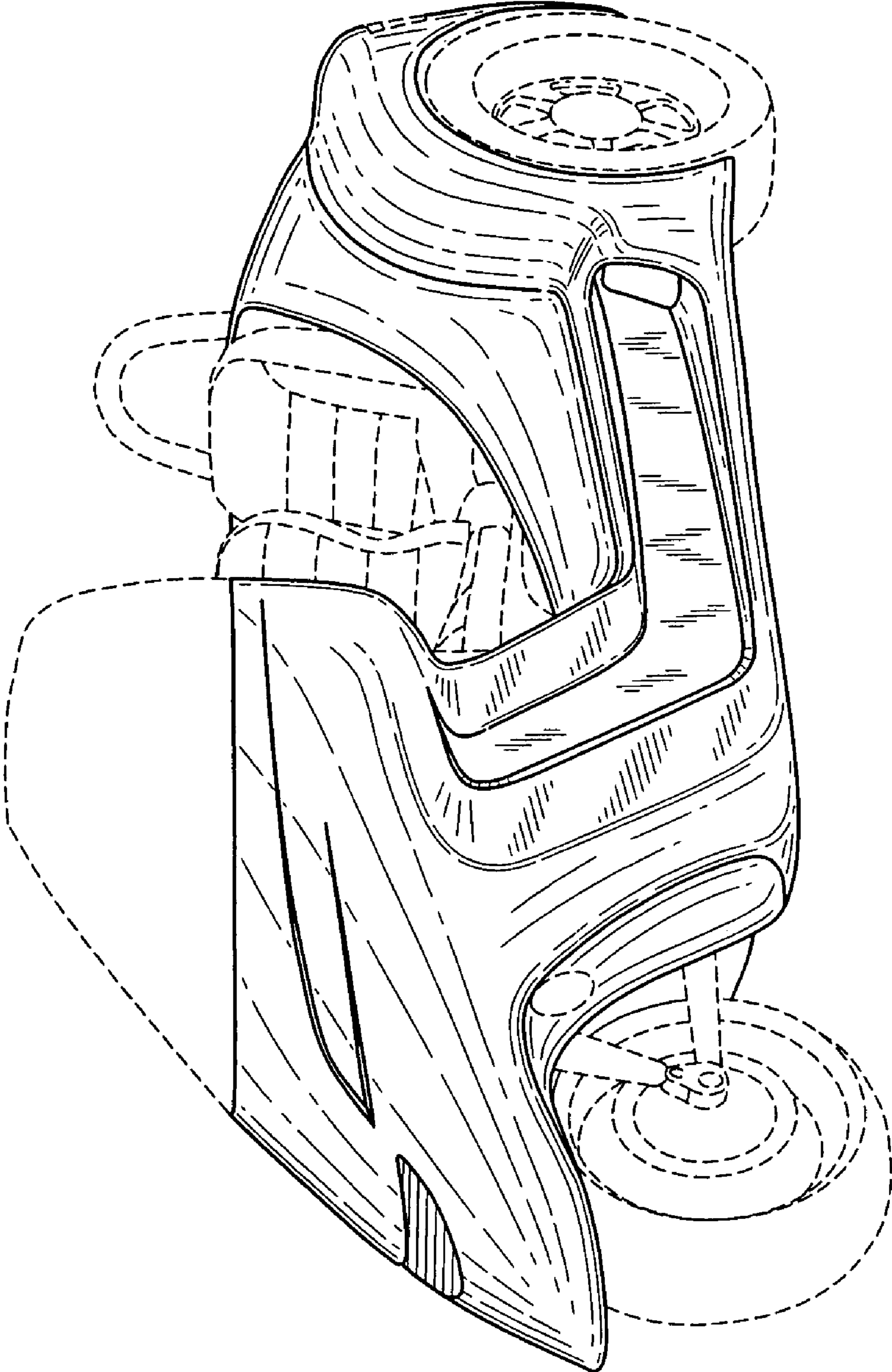


FIG. 2

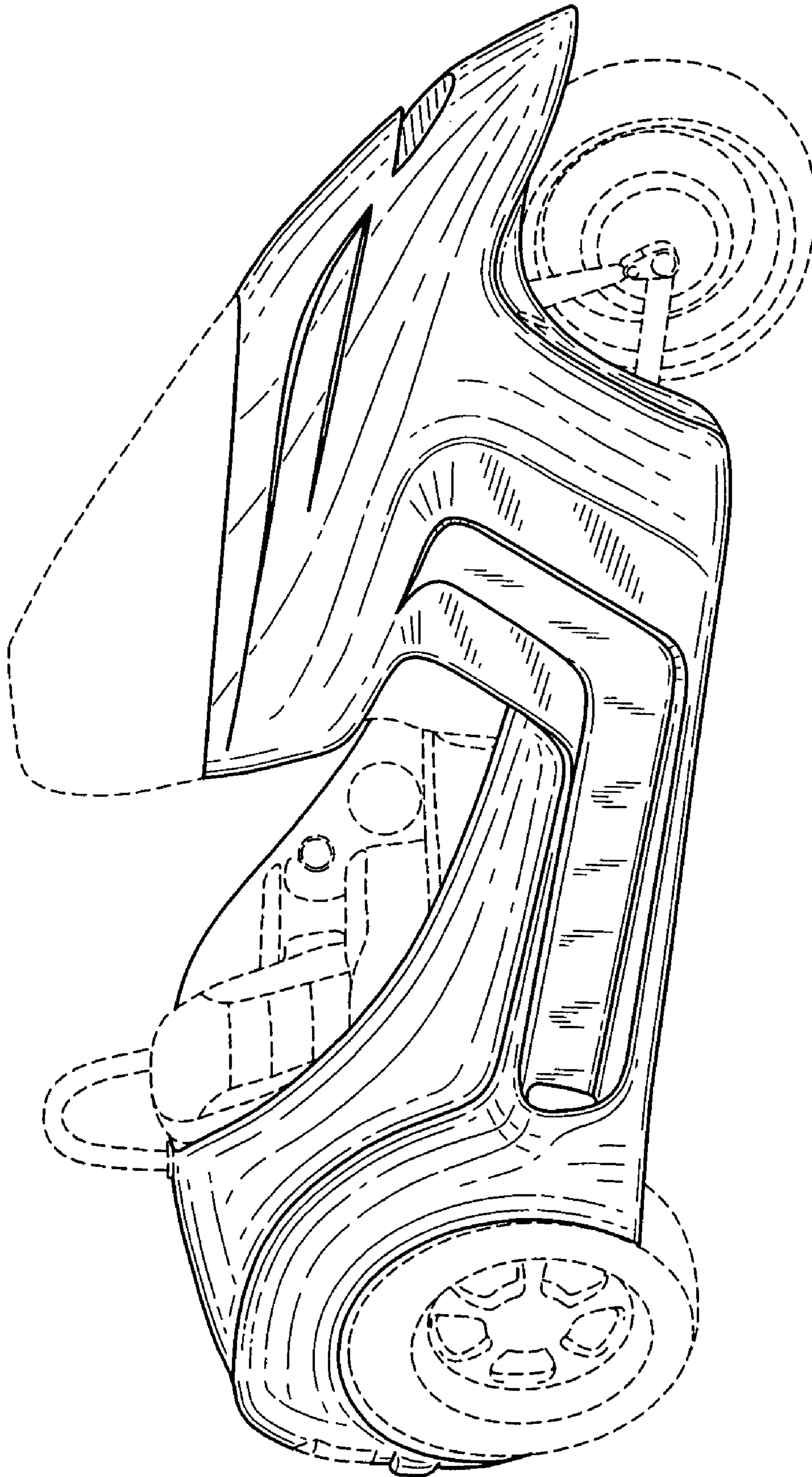


FIG. 3

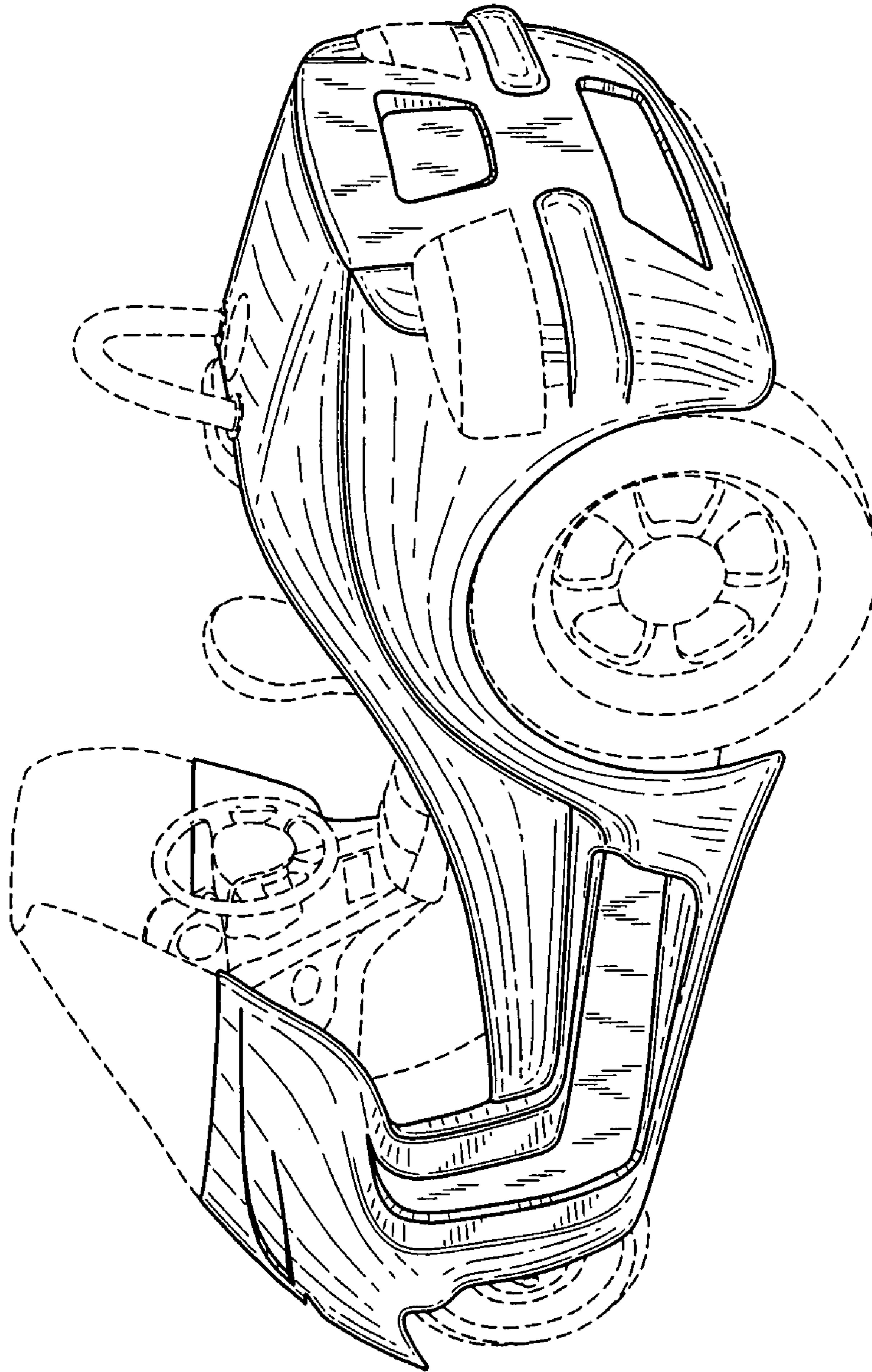


FIG. 4

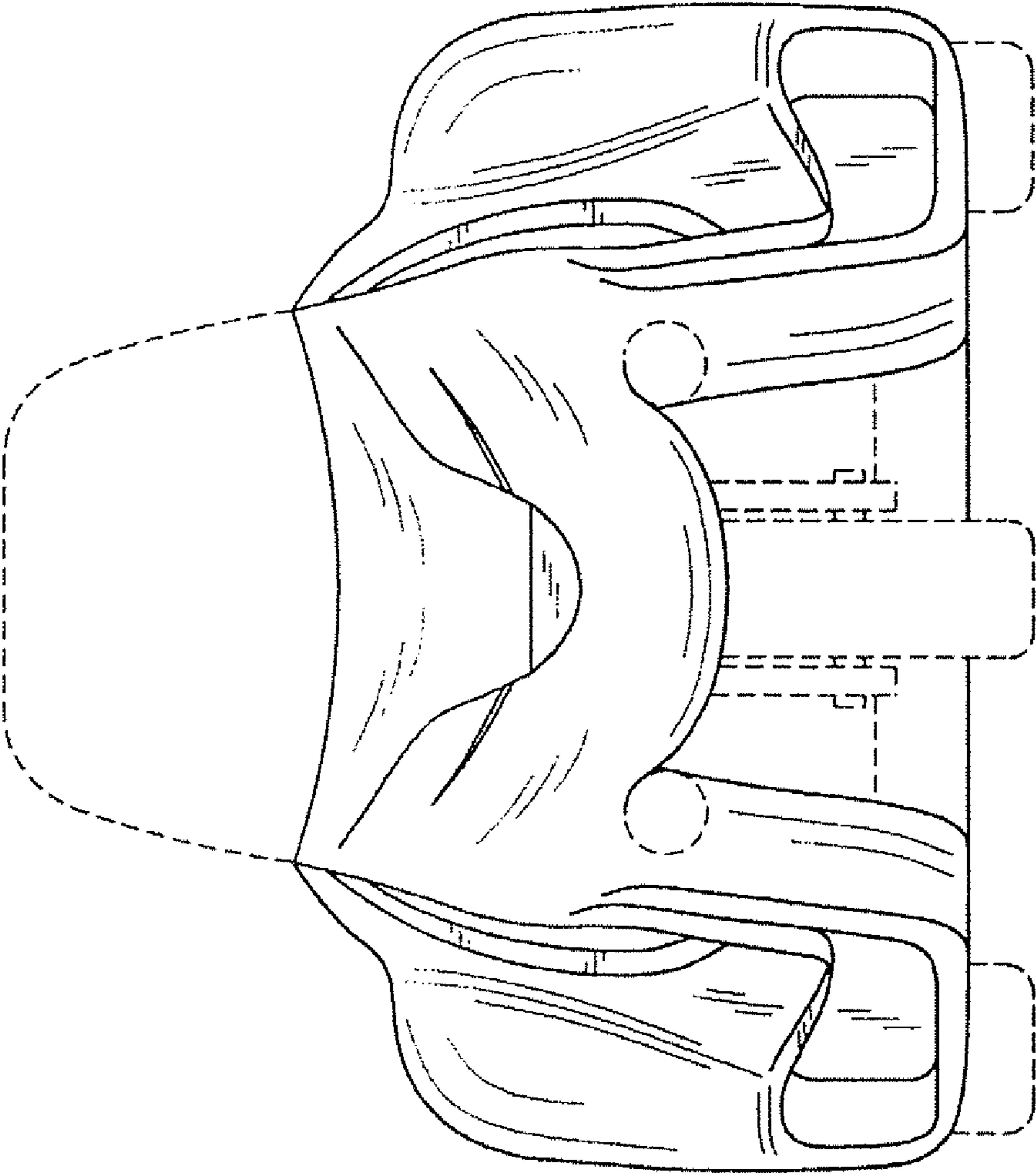


FIG. 5

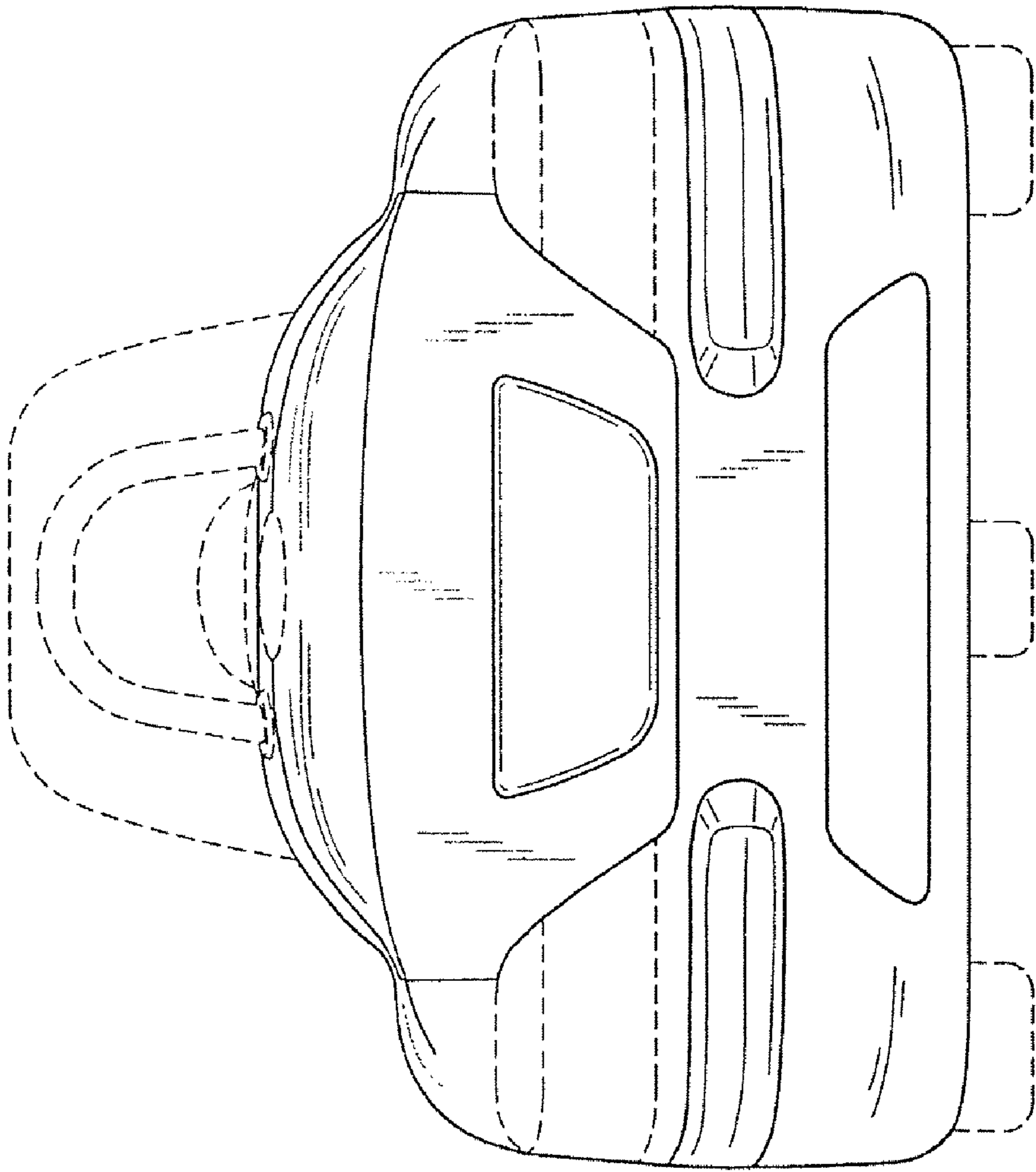


FIG. 6