

US00D547693S

(12) **United States Design Patent**
Toupet

(10) **Patent No.:** **US D547,693 S**
(45) **Date of Patent:** **** Jul. 31, 2007**

(54) **PENDANT**

(75) Inventor: **Camille Toupet**, Paris (FR)

(73) Assignee: **Architectures**, Paris (FR)

(**) Term: **14 Years**

(21) Appl. No.: **29/257,690**

(22) Filed: **Apr. 10, 2006**

(30) **Foreign Application Priority Data**

Oct. 10, 2005 (EM) 000 412 887

(51) **LOC (8) Cl.** **11-03**

(52) **U.S. Cl.** **D11/97**

(58) **Field of Classification Search** D11/1-2,
D11/7, 40-44, 46-49, 53, 56-57, 59-61,
D11/63, 65, 79-83, 86-87, 89-90, 99, 91-92,
D11/101, 106, 114-116, 200-201; 63/1.11,
63/18-20; D3/207-211

See application file for complete search history.

(56) **References Cited**

U.S. PATENT DOCUMENTS

D49,184 S * 6/1916 Helm D3/215
D264,272 S * 5/1982 Brinley D11/221
D467,829 S * 12/2002 Novak D11/79
D528,163 S * 9/2006 Mandel D19/84

* cited by examiner

Primary Examiner—Ralf Seifert

(74) *Attorney, Agent, or Firm*—Young & Thompson

(57) **CLAIM**

The ornamental design for a pendant, as shown and described.

DESCRIPTION

FIG. 1 is a front perspective view of a pendant in the closed state showing my new design,

FIG. 2 is a top plan view thereof in the closed state,

FIG. 3 is a bottom view thereof,

FIG. 4 is a front view thereof in the closed state,

FIG. 5 is a rear view thereof in the closed state,

FIG. 6 is a side view thereof in the closed state,

FIG. 7 is a side view thereof from the side opposite that shown in FIG. 6,

FIG. 8 is a perspective view thereof in the open state,

FIG. 9 is a side perspective view thereof in the open state,

FIG. 10 is a front side view thereof in the open state,

FIG. 11 is a bottom view,

FIG. 12 is a front view in the open state,

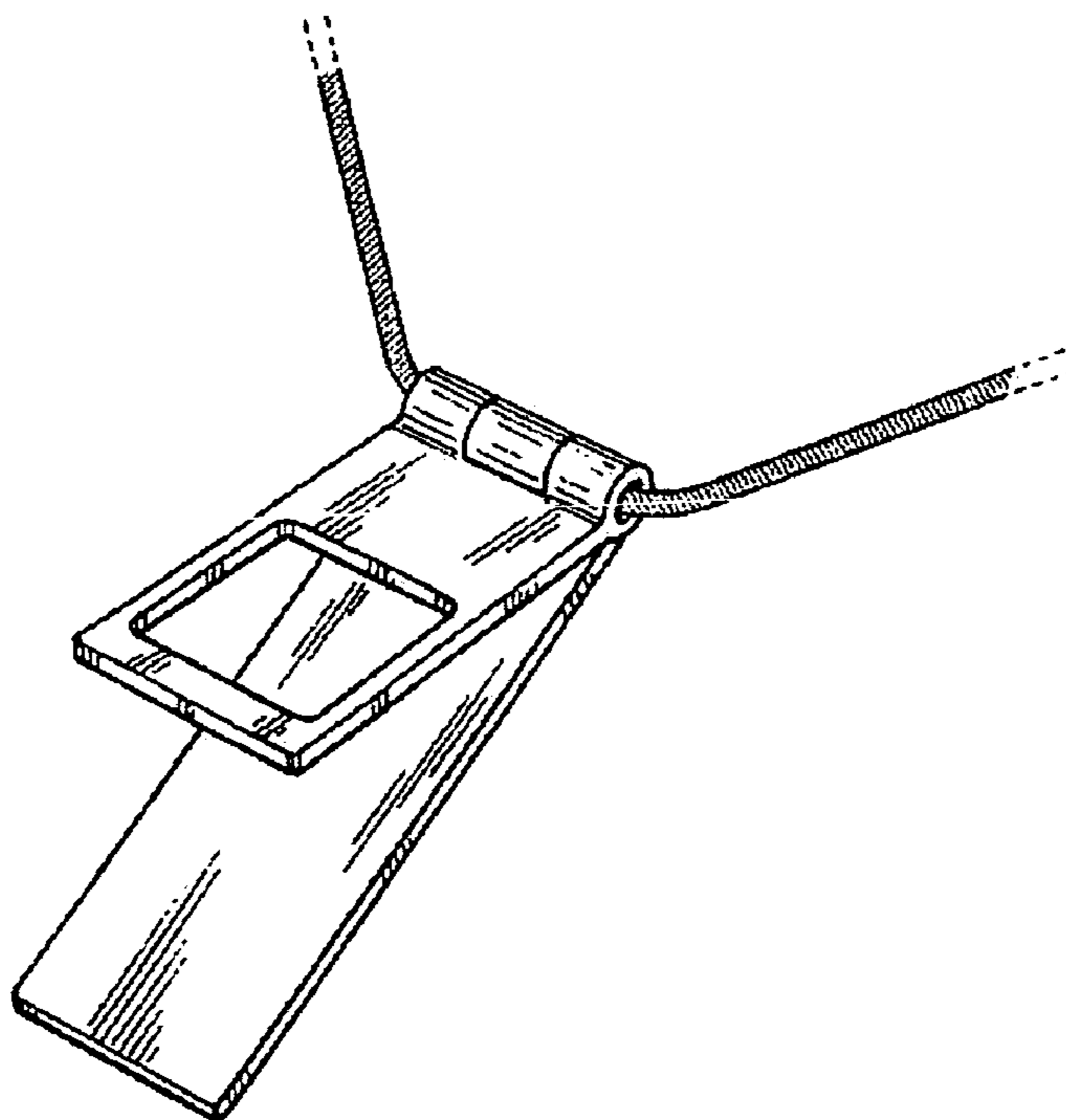
FIG. 13 is a rear view in the open state,

FIG. 14 is a side view in the open state; and,

FIG. 15 is a side view thereof from the side opposite that shown in FIG. 14.

It being understood that the broken lines are for illustrative purposes only and form no part of the claimed design.

1 Claim, 4 Drawing Sheets



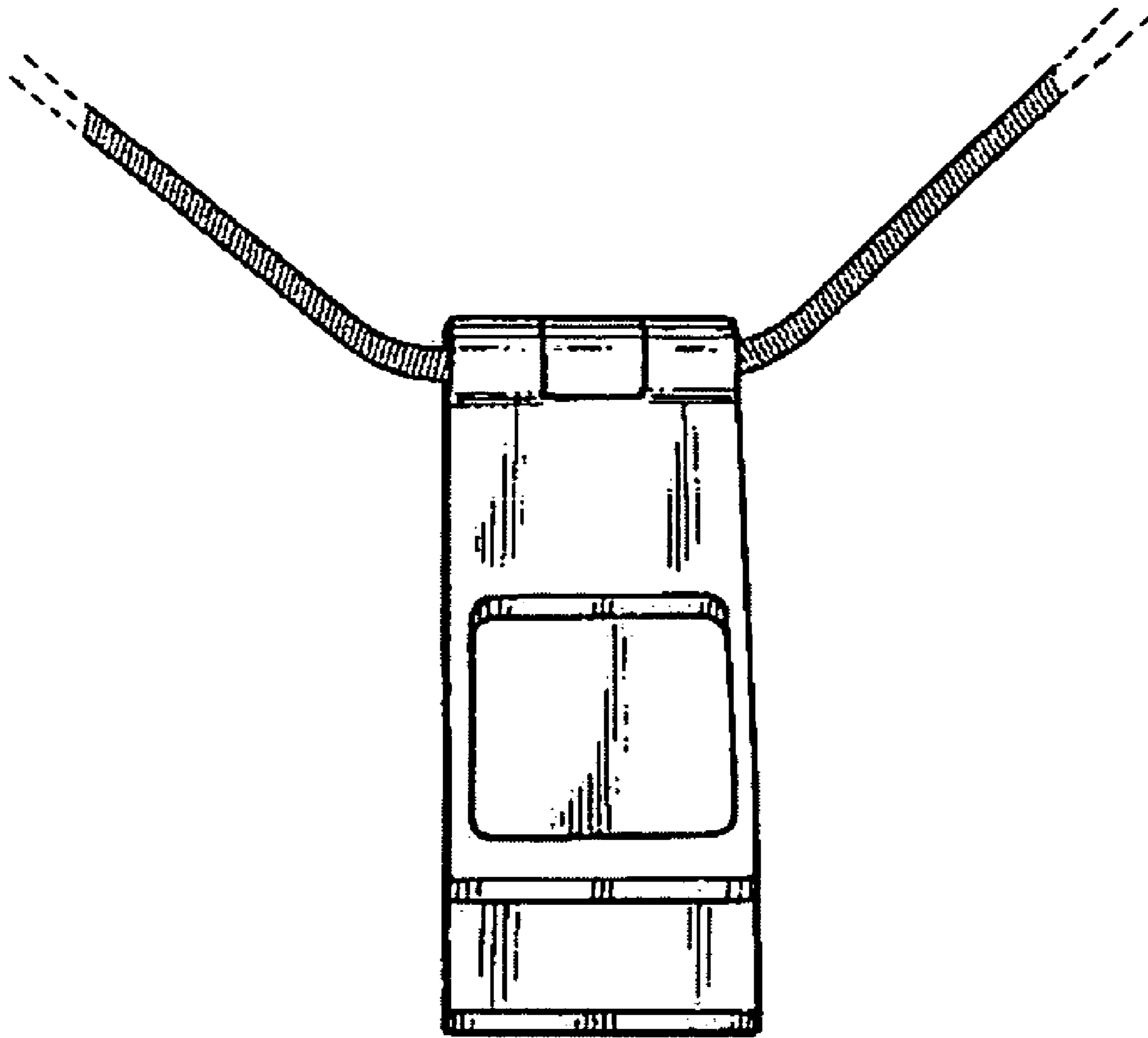


FIG. 1

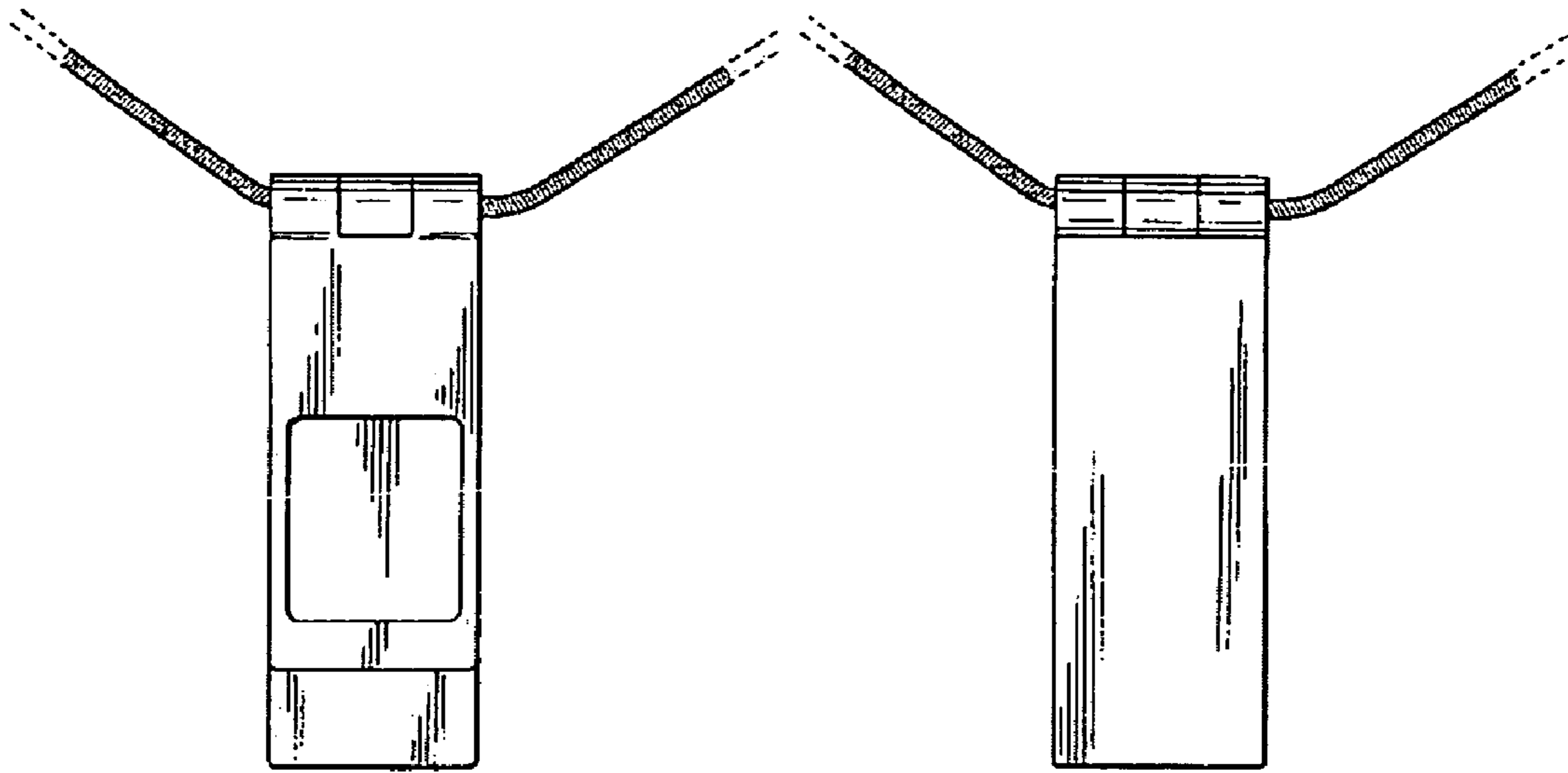


FIG. 2

FIG. 3

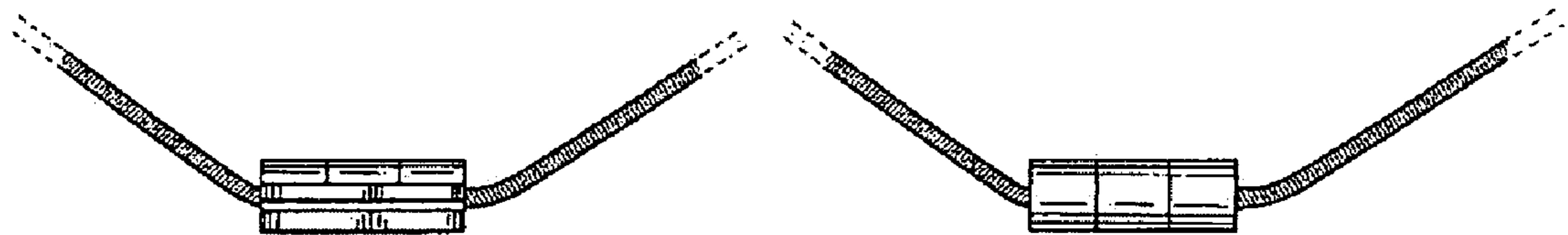


FIG. 4

FIG. 5

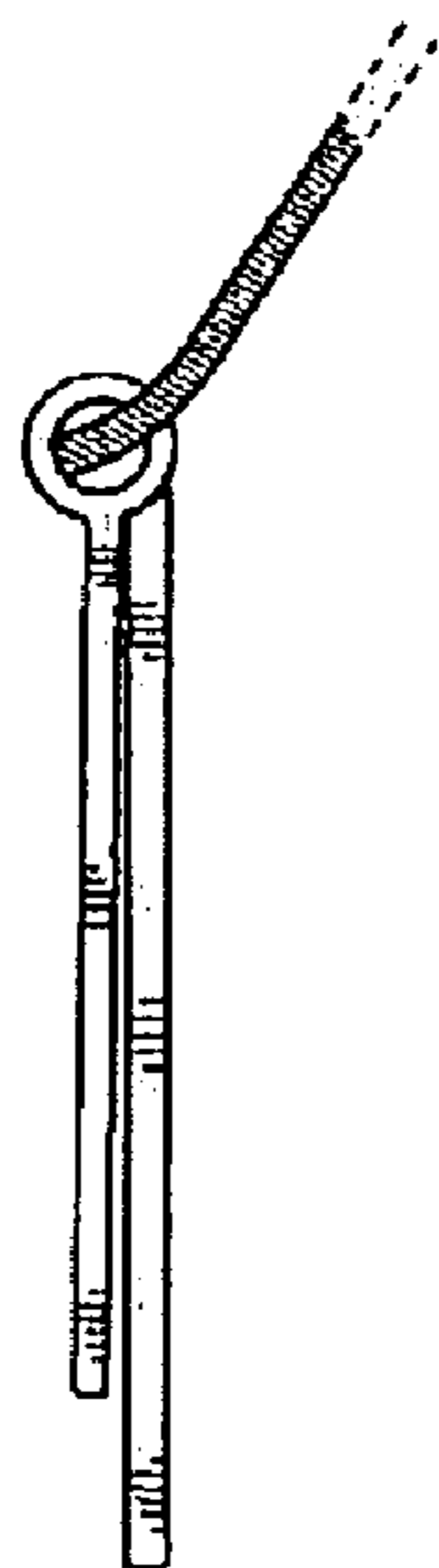


FIG. 6

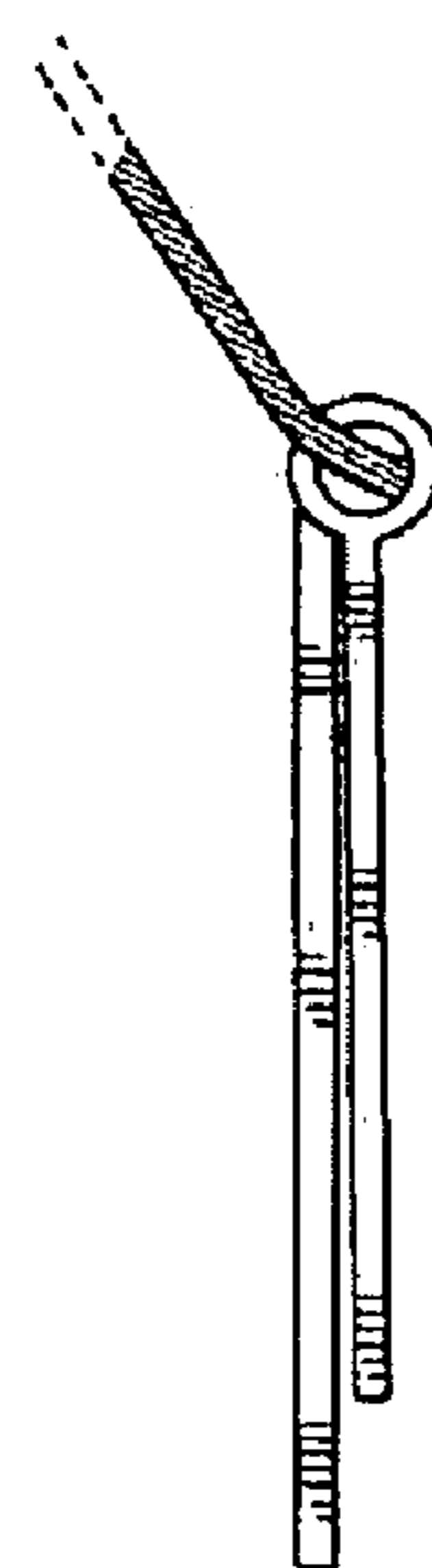


FIG. 7

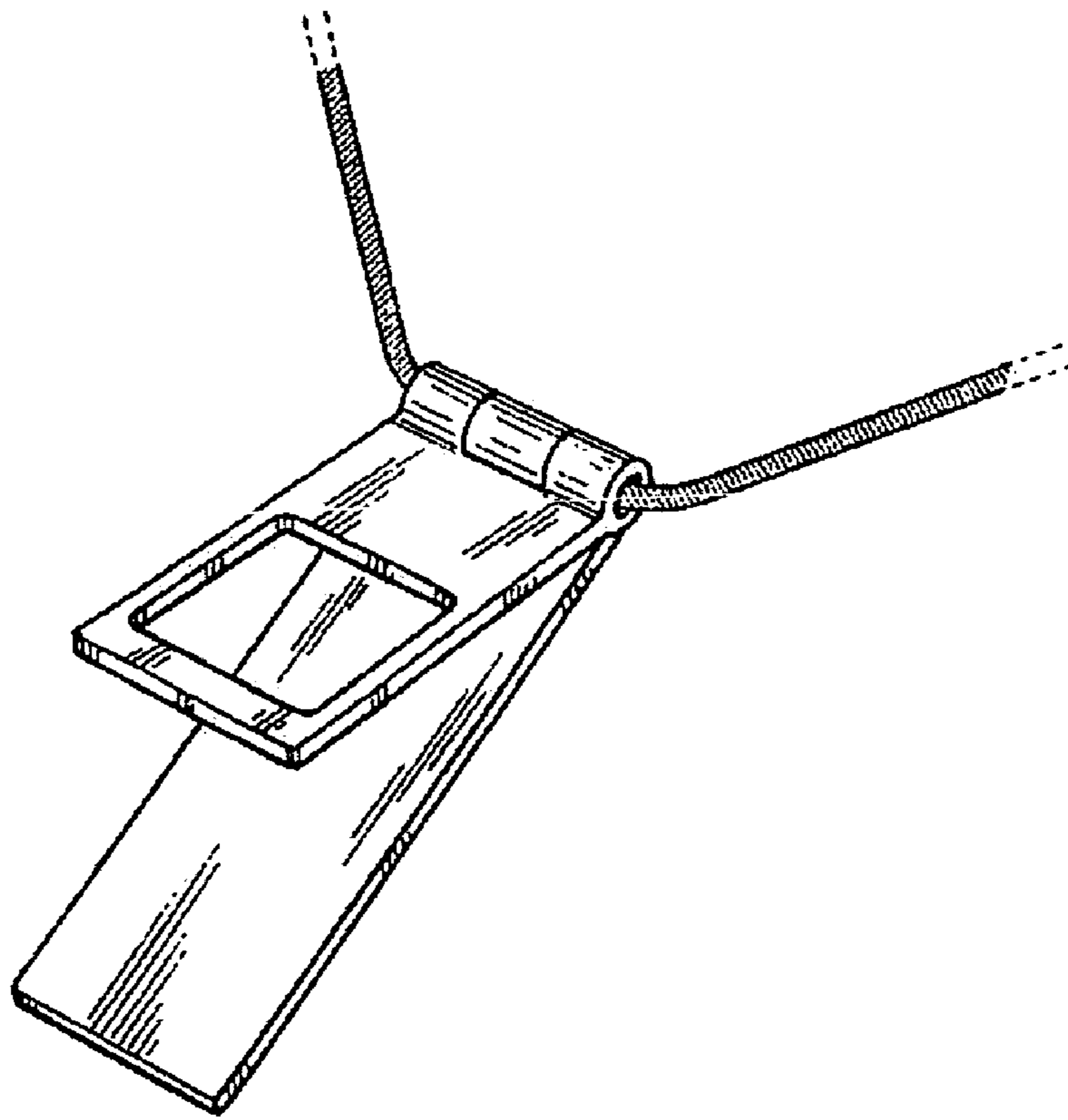


FIG. 8

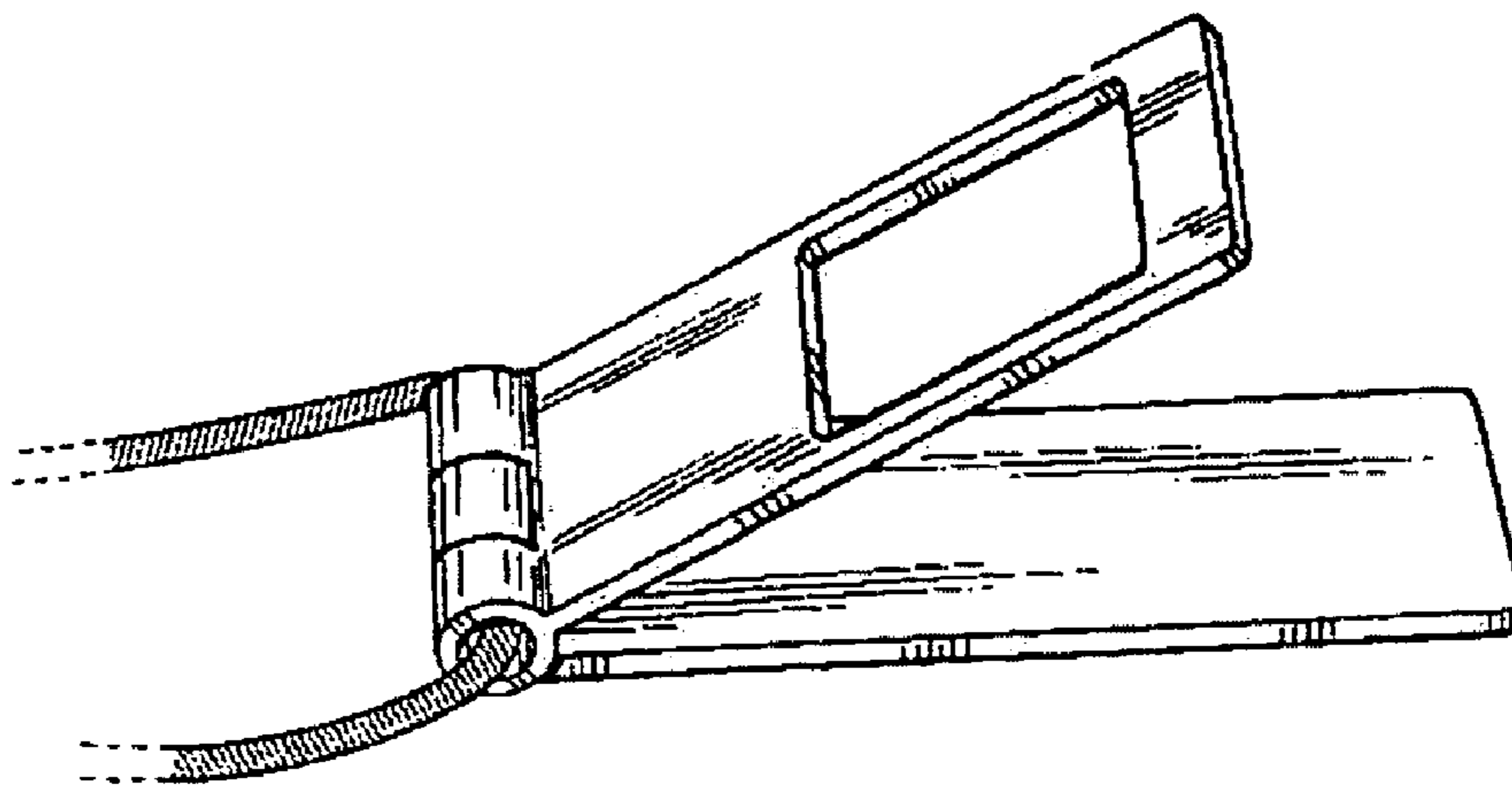


FIG. 9

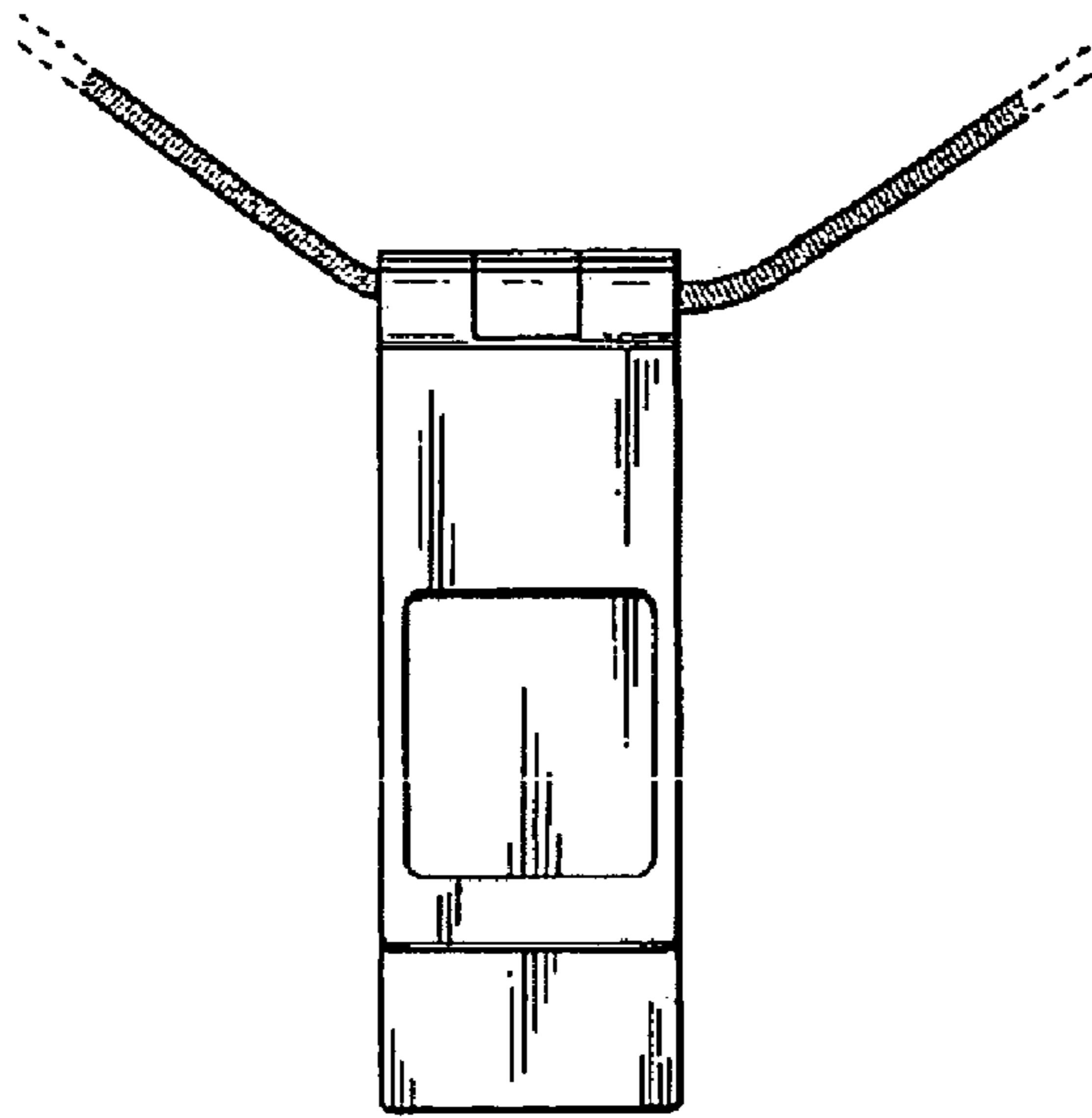


FIG. 10

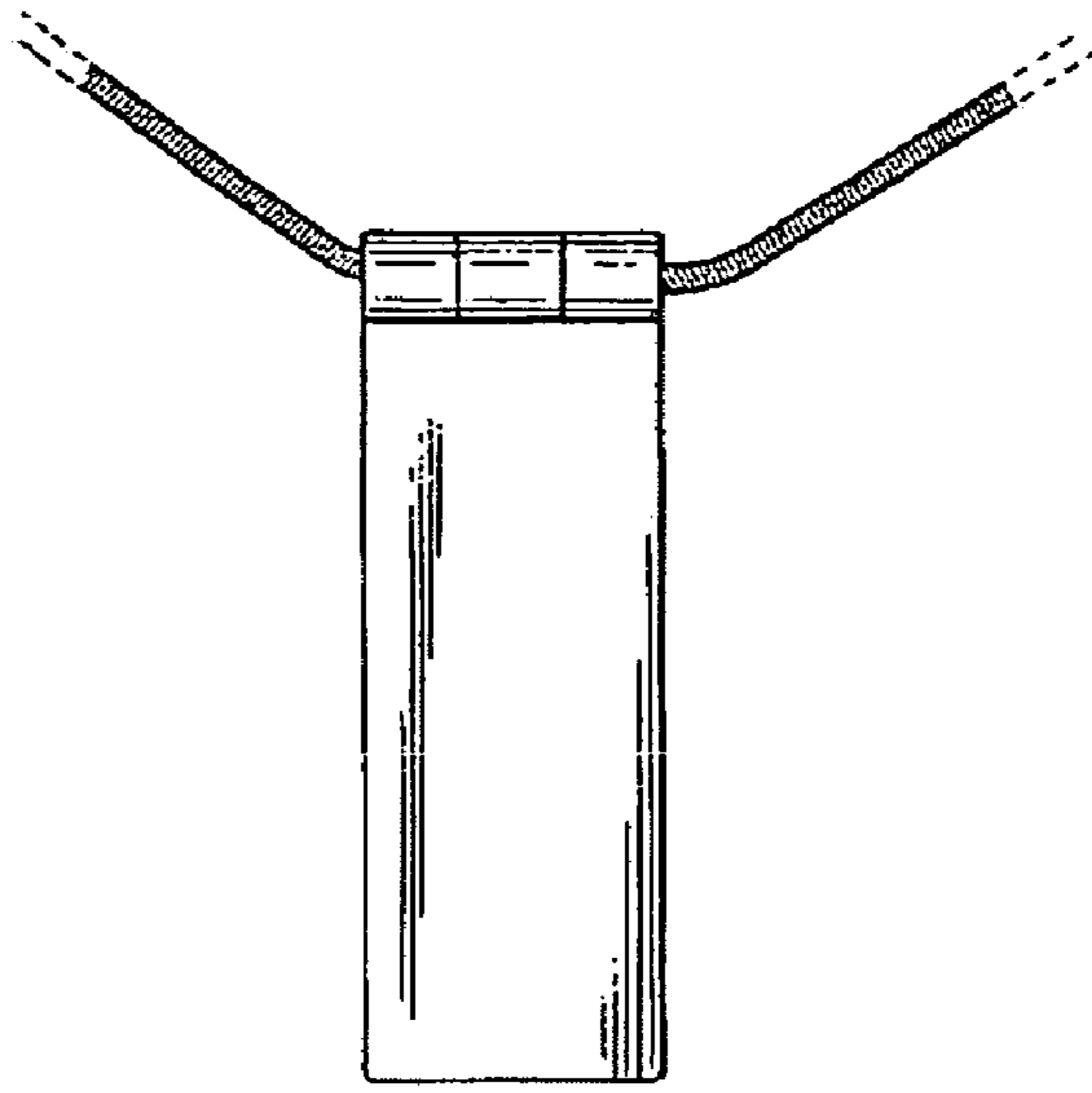


FIG. 11

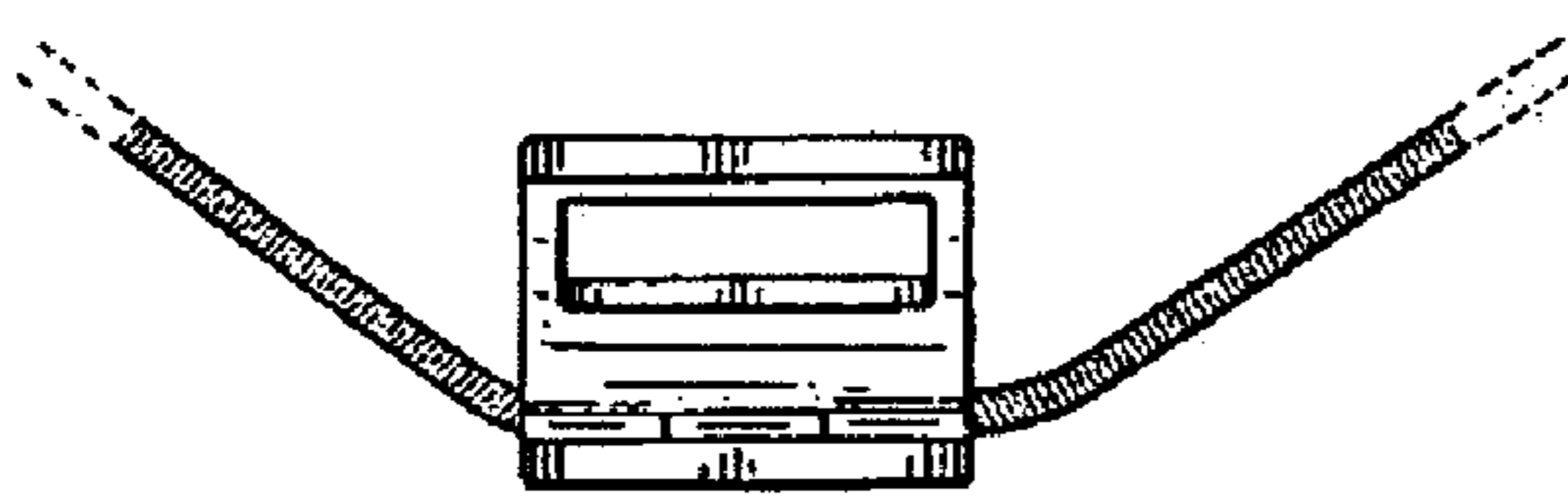


FIG. 12

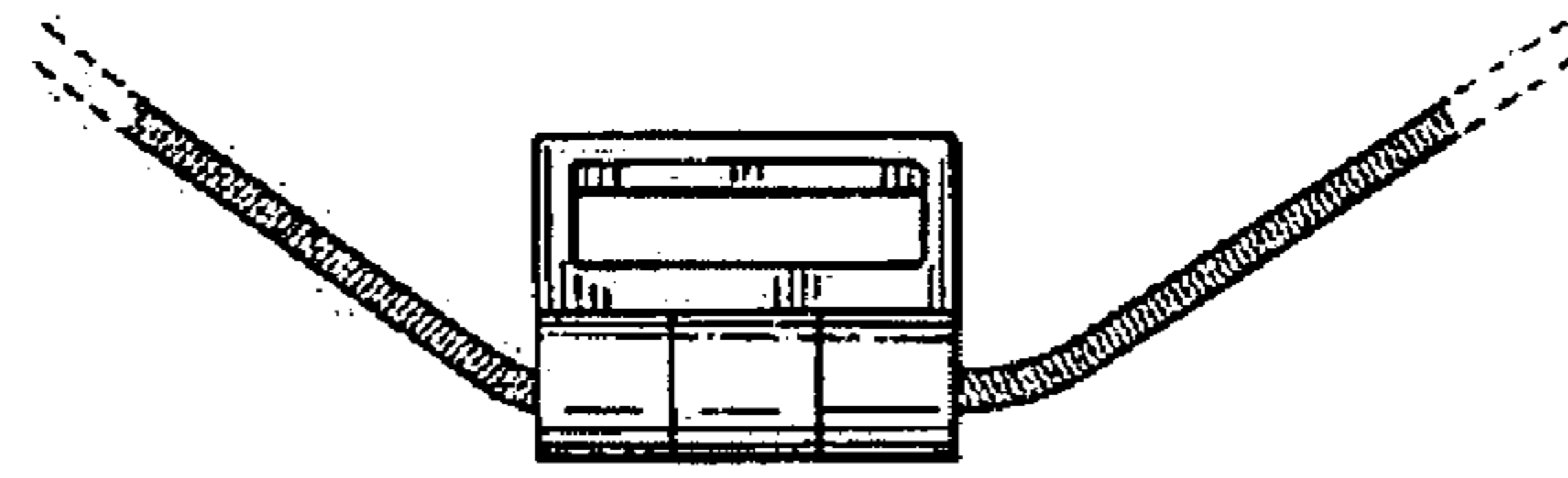


FIG. 13

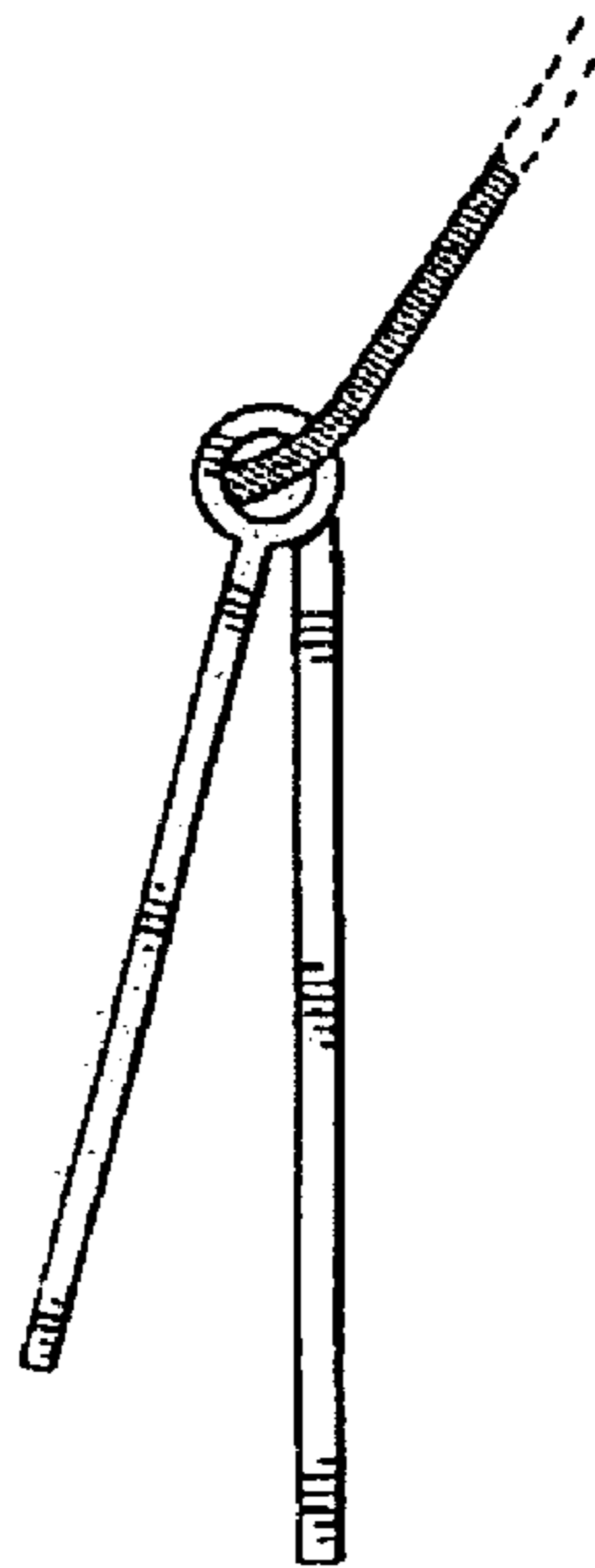


FIG. 14

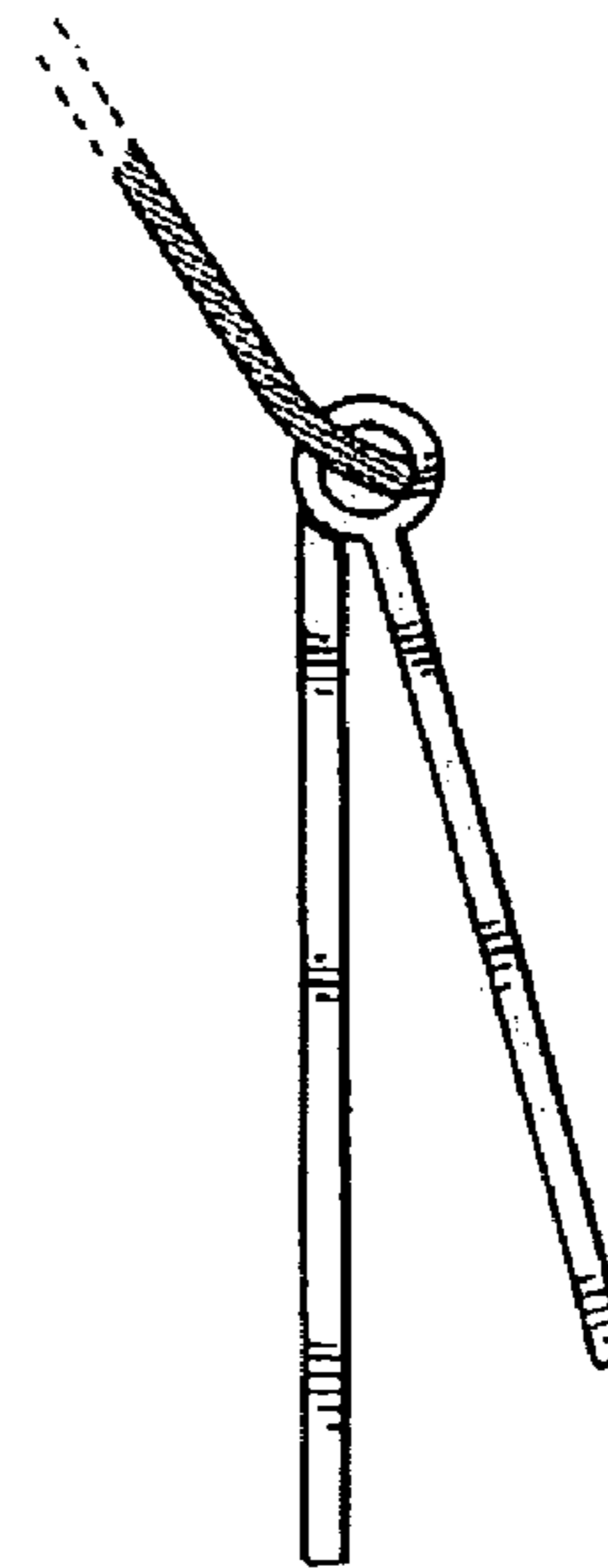


FIG. 15