



US00D547687S

(12) **United States Design Patent**
So et al.

(10) **Patent No.:** **US D547,687 S**
(45) **Date of Patent:** **** Jul. 31, 2007**

(54) **COMBINED BRACELET OR RING
JEWELRY LINKAGE**

(75) Inventors: **Mike So**, Kwai Chung (HK); **Asher
Hoffman**, New York, NY (US)

(73) Assignee: **The Simmons Jewelry Co.**, New York,
NY (US)

(**) Term: **14 Years**

(21) Appl. No.: **29/260,667**

(22) Filed: **May 30, 2006**

(51) **LOC (8) Cl.** **11-01**

(52) **U.S. Cl.** **D11/13**

(58) **Field of Classification Search** D11/1-25,
D11/81; D8/499; D12/114; 63/3, 4; 59/78,
59/79, 81, 82, 83, 95

See application file for complete search history.

(56) **References Cited**

U.S. PATENT DOCUMENTS

522,247 A *	7/1894	Wilson	59/78
D25,557 S *	6/1896	Sturdy	D11/79
D39,049 S	2/1908	Scullin		
1,344,111 A	6/1920	Benson		
D82,091 S	9/1930	Hill		
D100,147 S	6/1936	Braun		
D102,842 S *	1/1937	Ritter	D11/12
D131,373 S *	2/1942	Chernow	D11/12
3,022,648 A	2/1962	Thaler		
3,147,586 A *	9/1964	Archer	59/78
3,633,357 A	1/1972	King	59/35
D246,830 S *	1/1978	Lossini	D11/12
D246,960 S *	1/1978	Lossini	D11/4
D247,103 S *	1/1978	Lossini	D11/12
D265,067 S	6/1982	Grosskopf	D11/30
D279,462 S	7/1985	Weikel	D11/38

D298,422 S	11/1988	Messa	D11/34
D299,815 S	2/1989	Shapiro	D11/35
D299,912 S	2/1989	Goldman et al.	D11/38
D301,121 S	5/1989	Messa	D11/34
D339,081 S	9/1993	Pandel	D11/3
D341,102 S	11/1993	Wunderman	D11/3
D352,476 S	11/1994	Lefevre	D11/25
D358,355 S	5/1995	Fernandez		
D399,161 S	10/1998	Mougenot	D11/3
D400,468 S *	11/1998	Norman	D11/81
D412,058 S *	7/1999	Edworthy	D3/208

(Continued)

Primary Examiner—Doris Clark
Assistant Examiner—Michael Pratt
(74) *Attorney, Agent, or Firm*—Levisohn Berger LLP

(57) **CLAIM**

The ornamental design for a combined bracelet or ring jewelry linkage, described in the drawings.

DESCRIPTION

FIG. 1 is a perspective view of a first embodiment of the present invention;

FIG. 2 is a top plan view of the invention of FIG. 1;

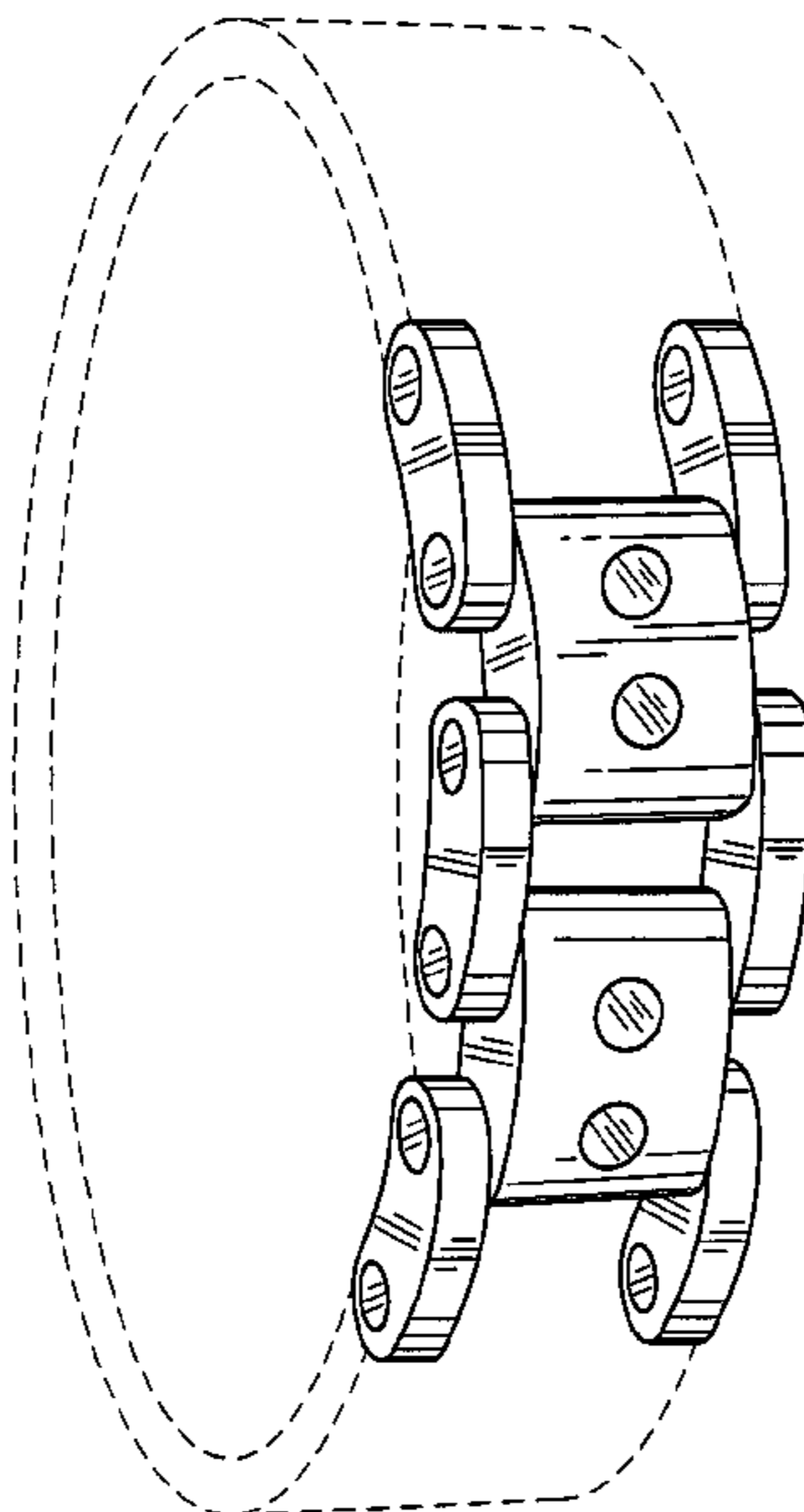
FIG. 3 is a bottom plan view of the invention of FIG. 1;

FIG. 4 is a right side plan view of the invention of FIG. 1, the left side plan view being substantially identical; and,

FIG. 5 is a top plan view of a second embodiment of the present invention, the remaining views being substantially identical with those of the first embodiment except for proportional relationships.

The broken lines are for illustrative purposes only and form no part of the claimed design.

1 Claim, 5 Drawing Sheets



US D547,687 S

Page 2

U.S. PATENT DOCUMENTS

6,085,550 A	7/2000	Ishida	63/15.65	D479,768 S *	9/2003	Macevicz	D3/211
D438,813 S *	3/2001	Yellen	D11/3	D489,020 S	4/2004	Hill	D11/3
D441,692 S	5/2001	Niblett et al.	D12/95	D491,828 S	6/2004	Chang	D11/3
D443,843 S	6/2001	Schopfer	D11/3	D492,613 S	7/2004	Kim et al.	D11/12
D445,055 S	7/2001	Subilia	D11/3	D495,616 S	9/2004	Fountoulakis	D11/26
D446,469 S	8/2001	Roden	D11/3	D510,291 S	10/2005	Calvani	D11/16
D460,698 S *	7/2002	Jamin	D10/32	2002/0069670 A1	6/2002	Rosenberg	
D471,482 S	3/2003	Calvani	D11/3	2003/0014996 A1	1/2003	Feuer	
6,598,382 B1	7/2003	Yoo	59/80				

* cited by examiner

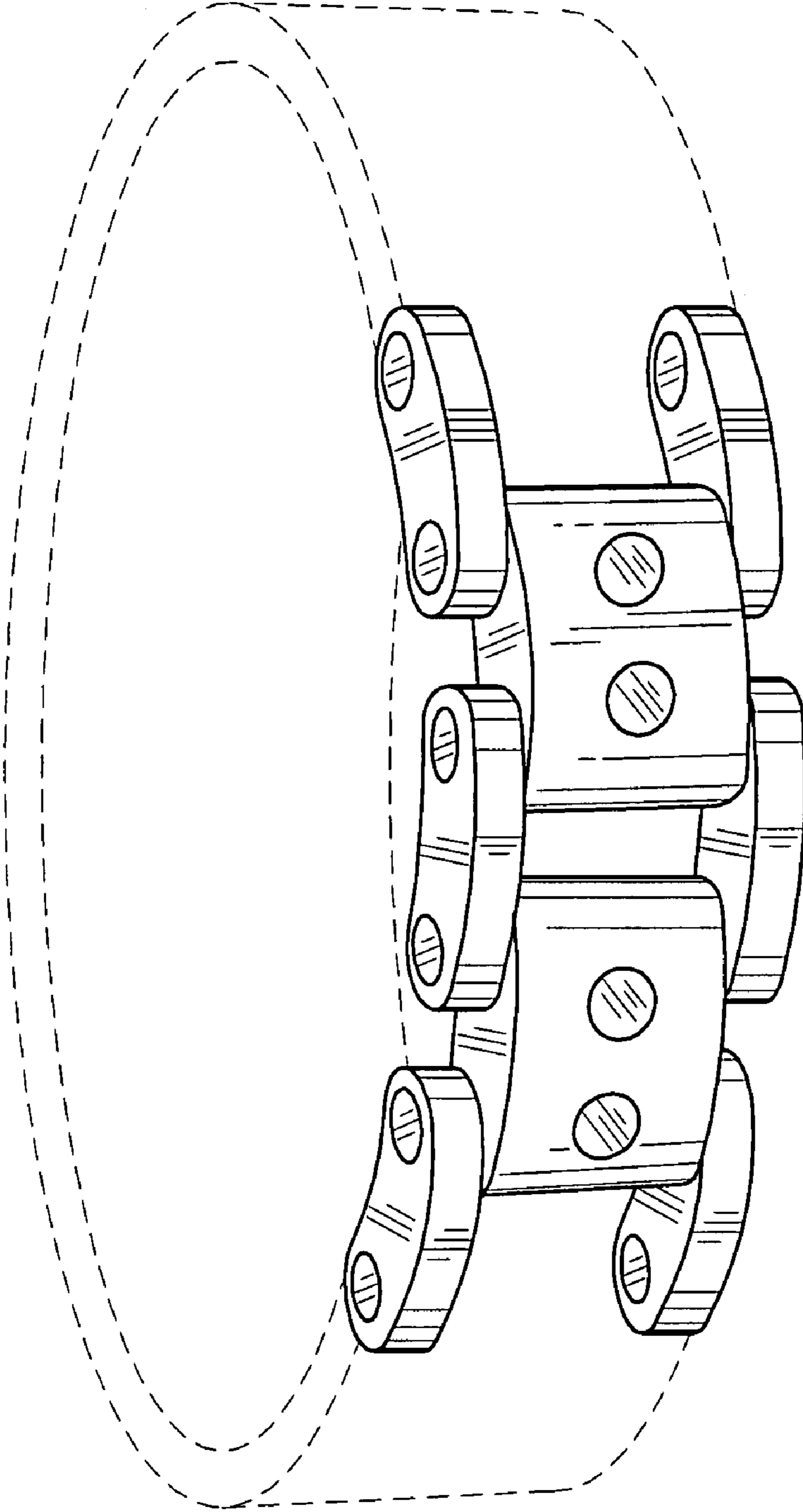


FIG. 1

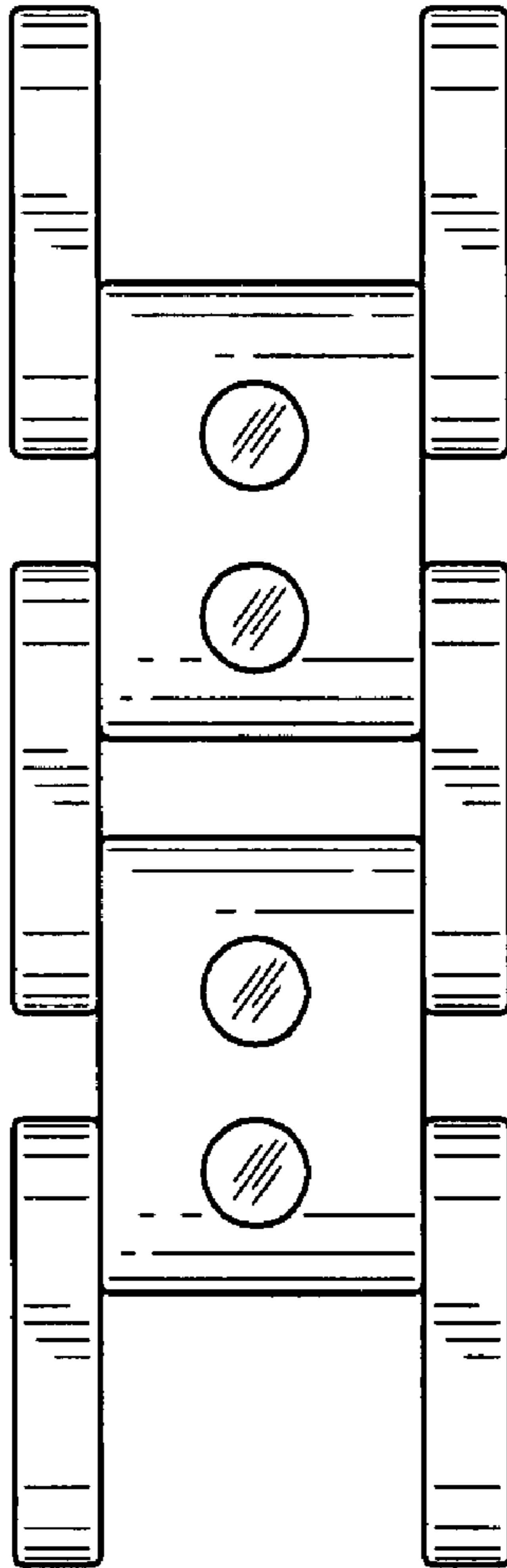


FIG. 2

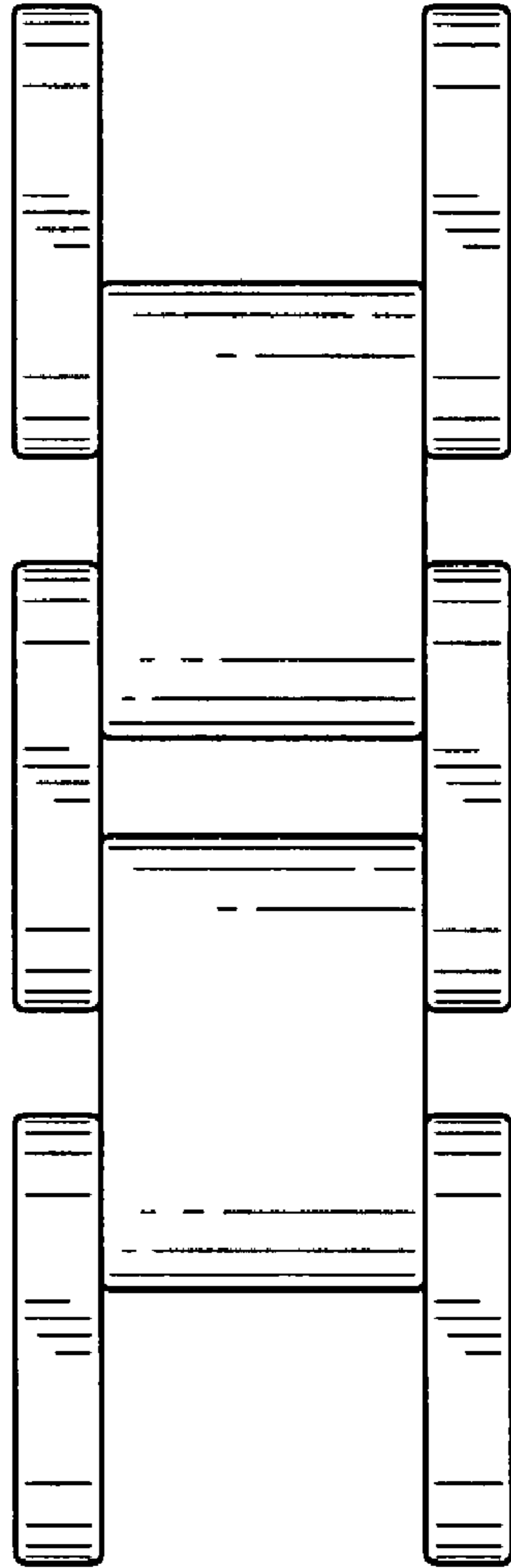


FIG. 3

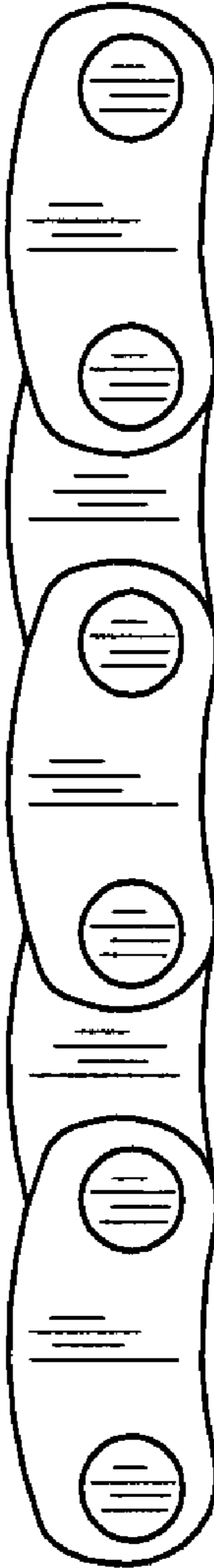


FIG. 4



FIG. 5