

US00D547681S

(12) **United States Design Patent**  
Nelson et al.

(10) **Patent No.:** **US D547,681 S**  
(45) **Date of Patent:** **\*\* Jul. 31, 2007**

(54) **WHIMSICAL, BOTTLE-CAP-APPEARANCE,  
LINEAR-MEASUREMENT WORKPIECE  
GRIPPING DEVICE**

(76) Inventors: **Mark Nelson**, 826 Brownsboro, Eagle Point, OR (US) 97524; **Thomas G. Simcoe**, 1717 Ingalls, White City, OR (US) 97503

(\*\*) Term: **14 Years**

(21) Appl. No.: **29/268,109**

(22) Filed: **Oct. 30, 2006**

**Related U.S. Application Data**

(63) Continuation of application No. 10/227,784, filed on Aug. 25, 2002, which is a continuation of application No. 09/810,084, filed on Mar. 16, 2001, now abandoned.

(51) **LOC (8) Cl.** ..... **10-04**

(52) **U.S. Cl.** ..... **D10/74**

(58) **Field of Classification Search** ..... D10/72, D10/74; 24/369, 374, 197, 265, 199, 2.5, 24/589.1; 33/414, 755, 758-760, 768, 770  
See application file for complete search history.

(56) **References Cited**

**U.S. PATENT DOCUMENTS**

3,145,477 A \* 8/1964 Morrison ..... 33/770  
3,965,579 A \* 6/1976 Woods ..... 33/770  
4,255,856 A \* 3/1981 Mackie ..... 30/293

5,291,664 A \* 3/1994 Pinney et al. .... 33/770  
D364,190 S \* 11/1995 Harris ..... D19/99  
5,720,106 A \* 2/1998 Serksnis et al. .... 33/759  
6,073,983 A \* 6/2000 Schroeder ..... 294/65.5  
6,223,443 B1 \* 5/2001 Jacobs ..... 33/27.03  
6,349,483 B1 \* 2/2002 Dodge, Sr. .... 33/770  
6,427,358 B1 \* 8/2002 LeBon et al. .... 33/758  
6,442,863 B1 \* 9/2002 Poineau et al. .... 33/758  
2003/0051365 A1 \* 3/2003 Salazar ..... 33/758

\* cited by examiner

*Primary Examiner*—Antoine D. Davis

(74) *Attorney, Agent, or Firm*—Jon M. Dickinson, PC; Robert D. Varitz, PC

(57) **CLAIM**

The ornamental design for whimsical, bottle-cap-appearance, linear-measurement workpiece gripping device, as shown and described.

**DESCRIPTION**

FIG. 1 is a front, isometric view showing our new ornamental design for a whimsical, bottle-cap-appearance, linear-measurement workpiece gripping device.

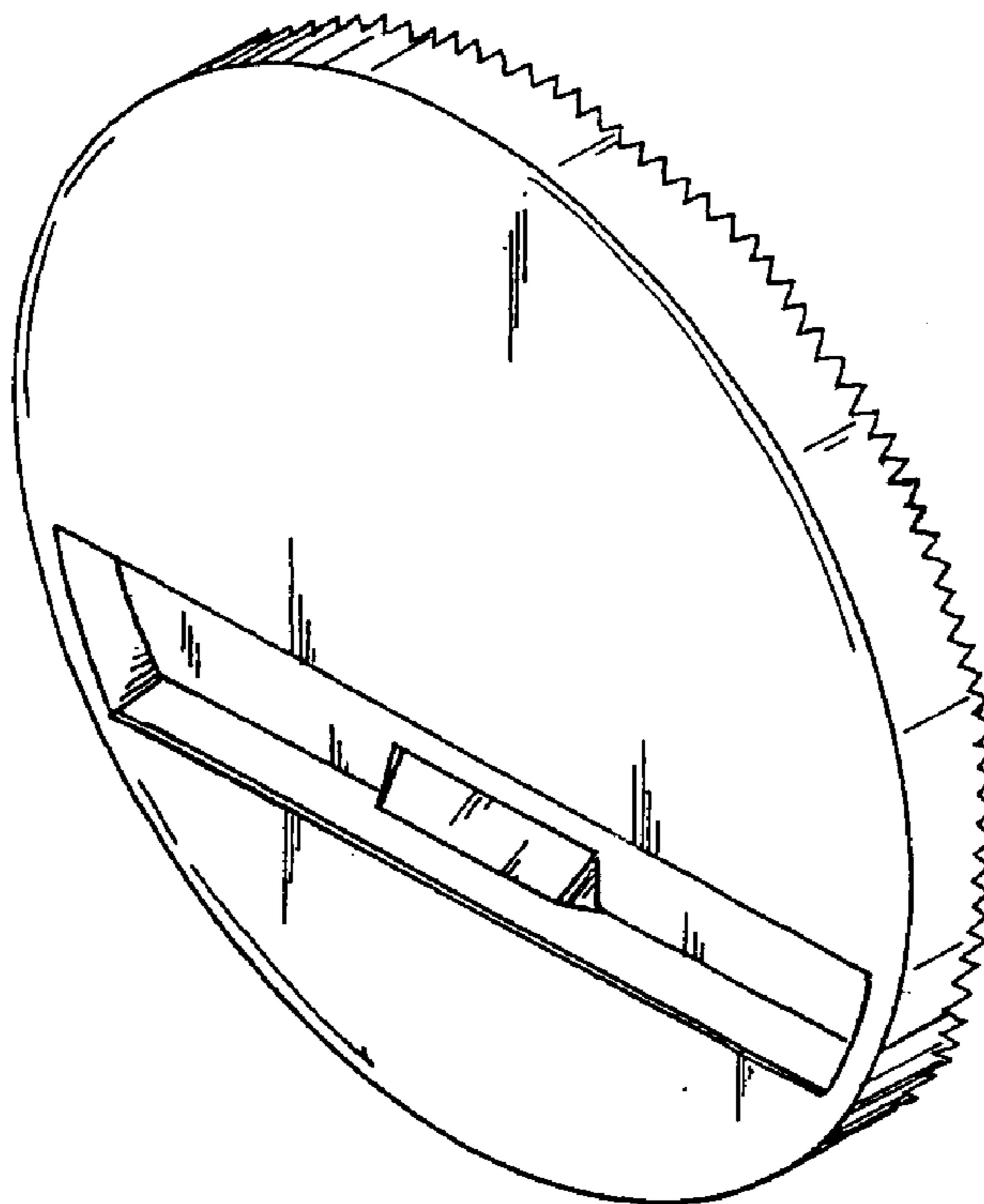
FIG. 2 is a rear, isometric view showing our new design.

FIG. 3 is a single-side elevation of our new design, all side elevations having the same appearance.

FIG. 4 is a front elevation of our new design; and,

FIG. 5 is a rear elevation of our new design.

**1 Claim, 1 Drawing Sheet**



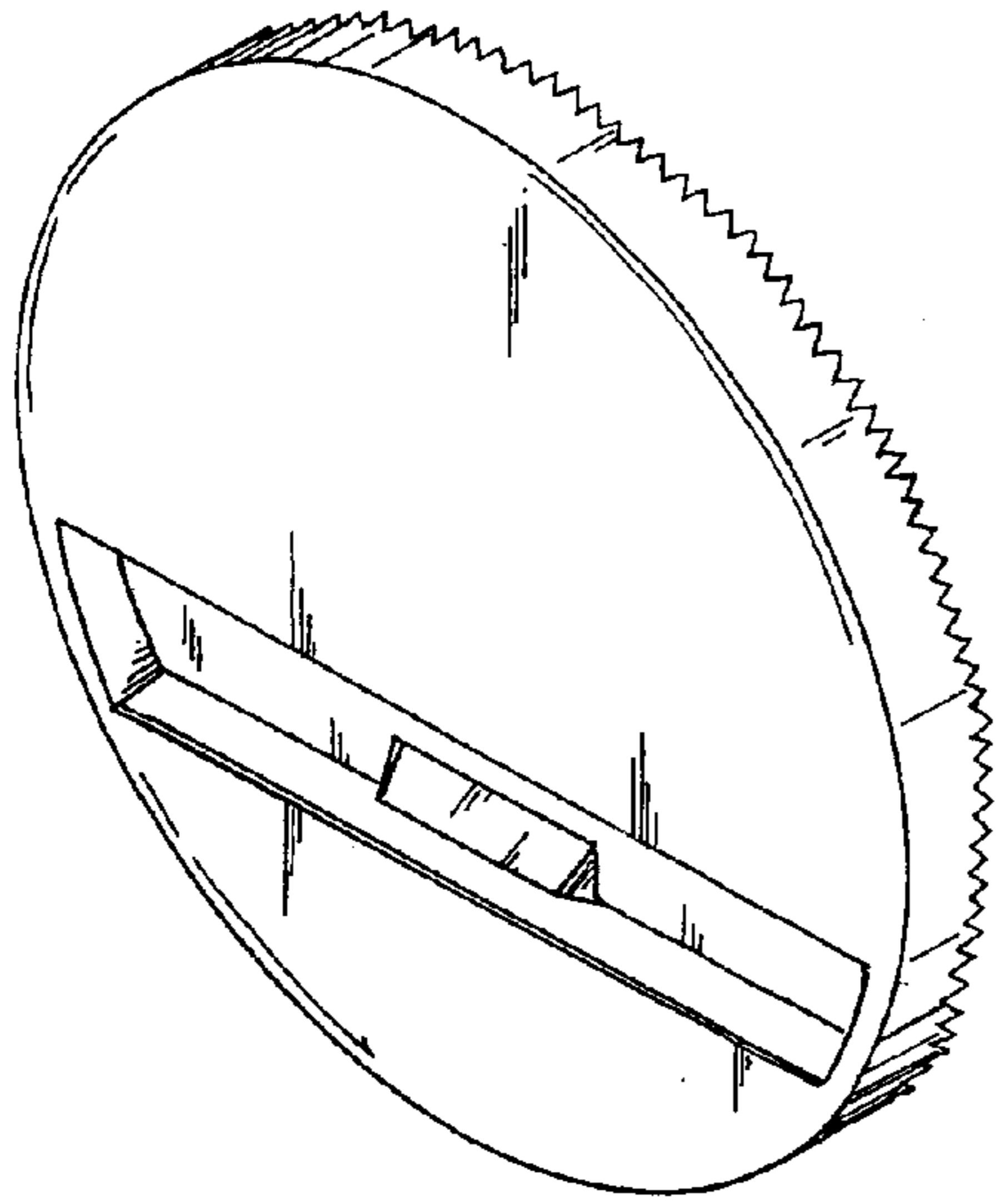


FIG.1

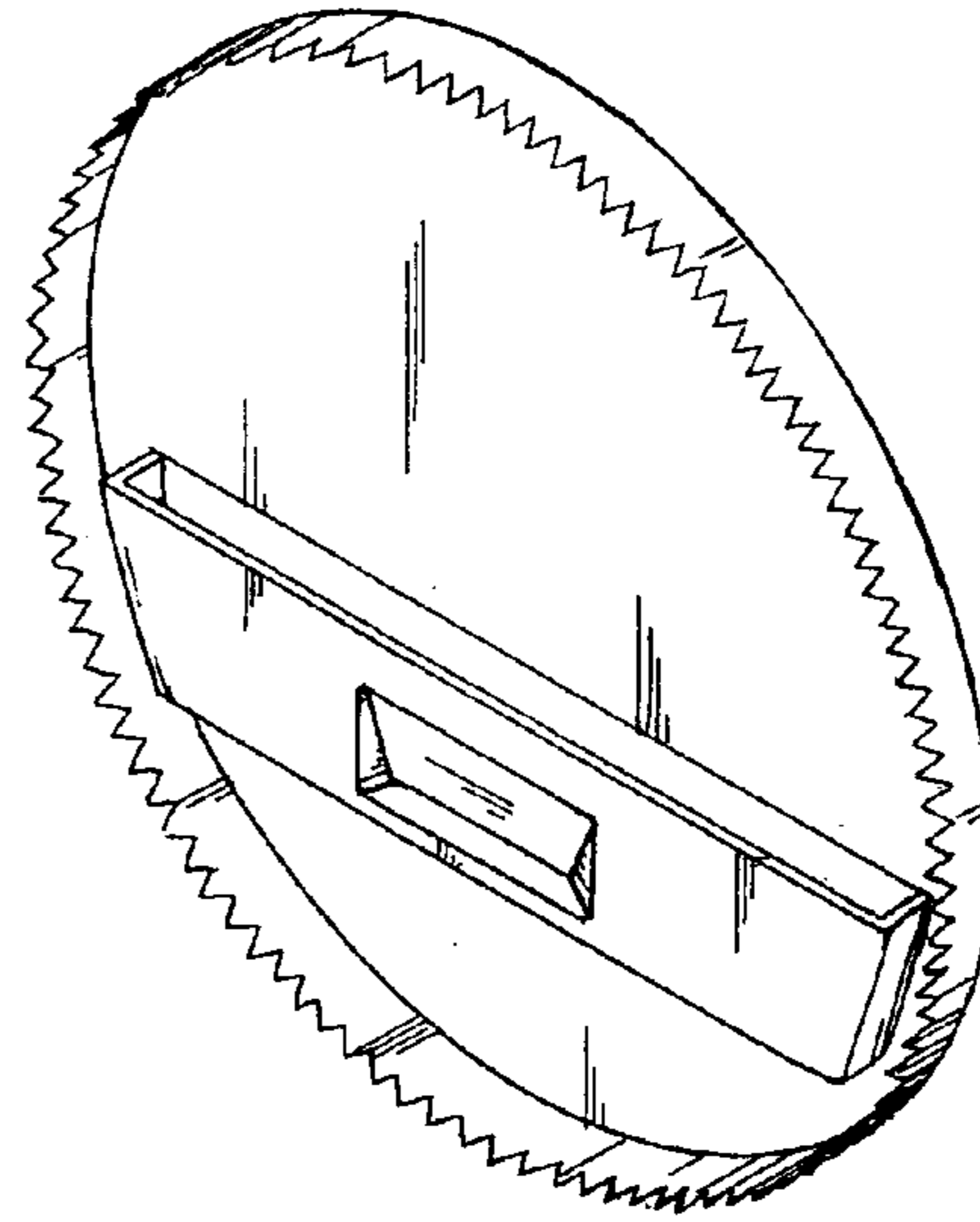


FIG. 2



FIG. 3

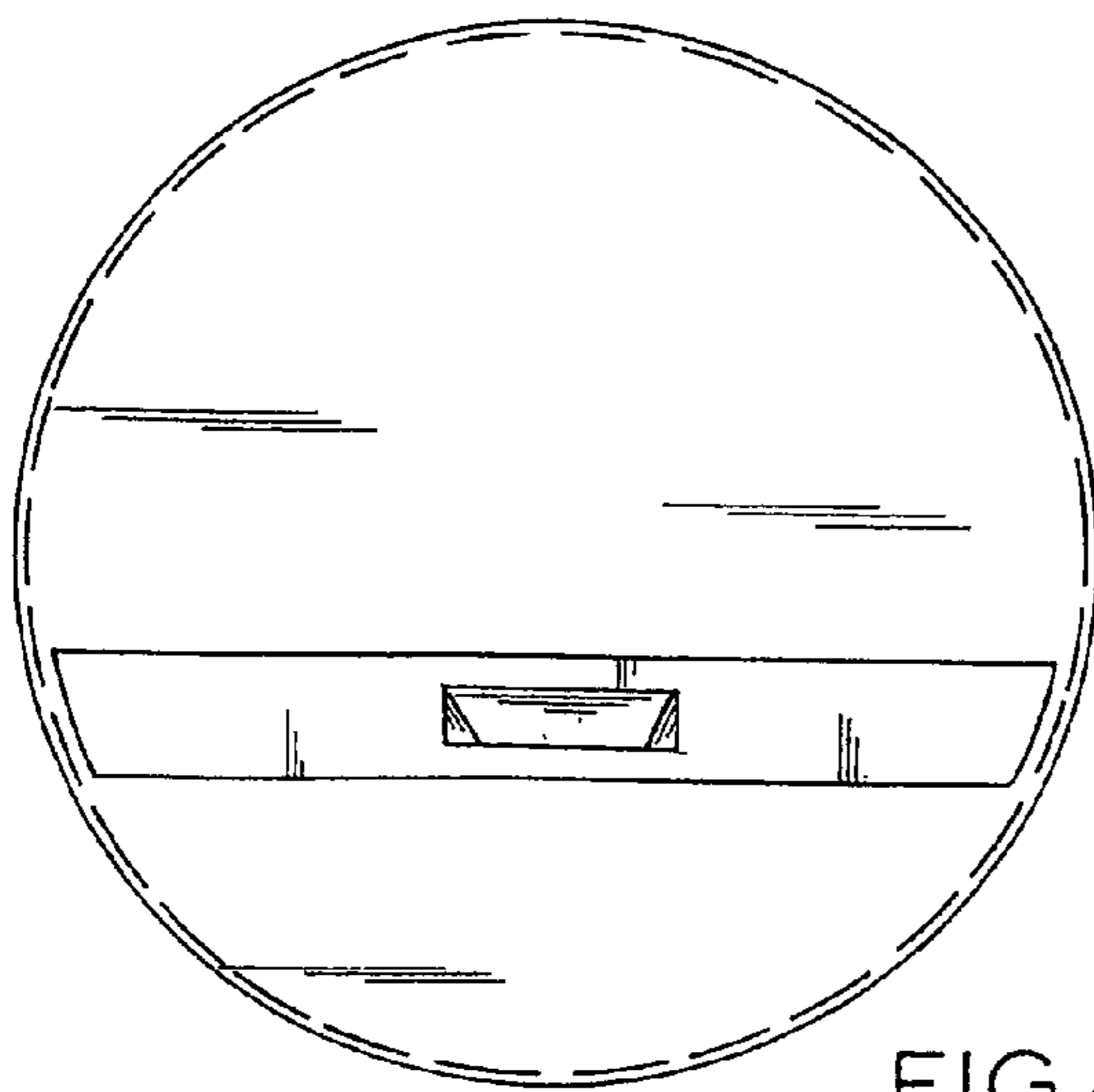


FIG. 4

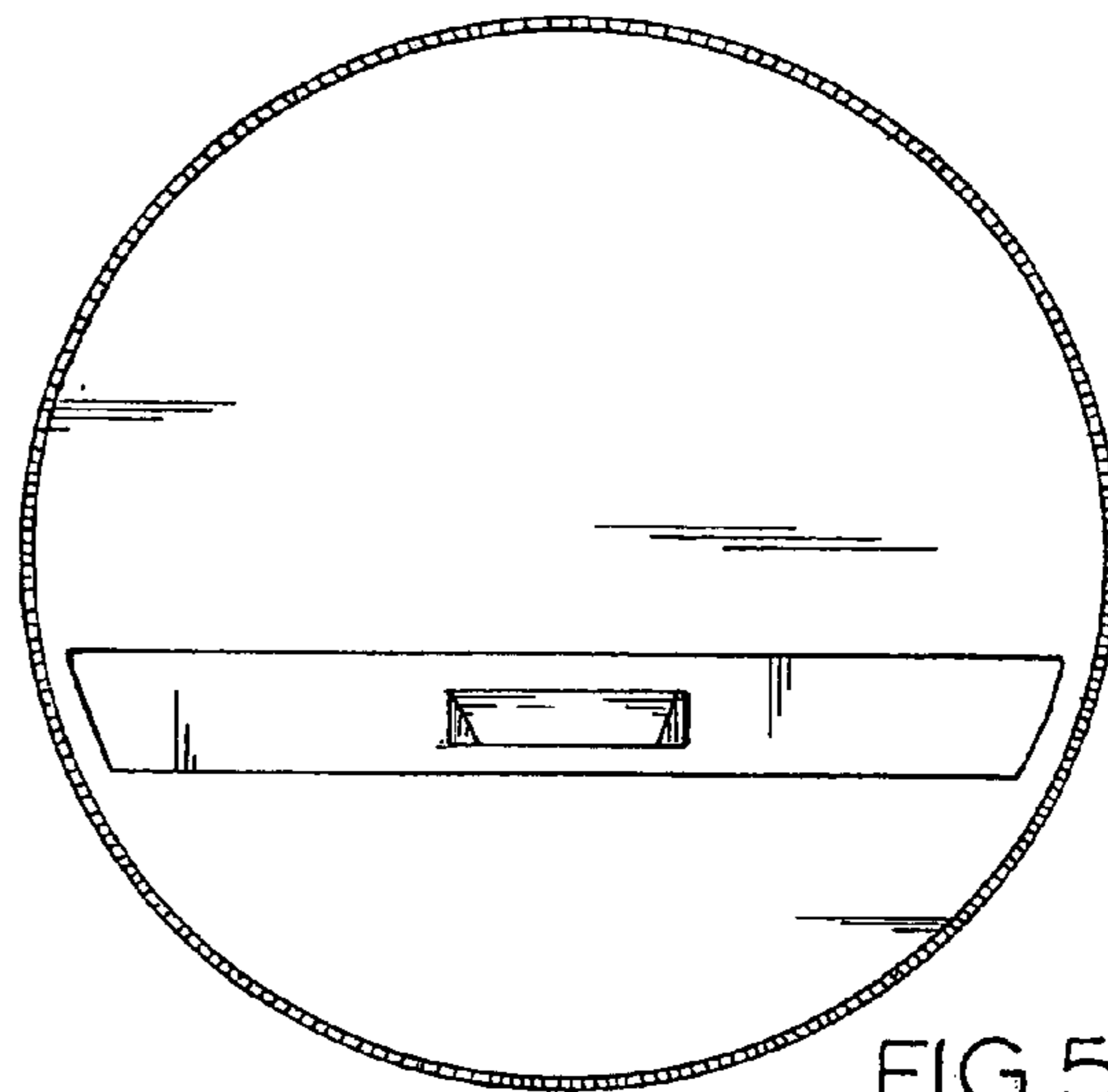


FIG. 5