

US00D547678S

(12) **United States Design Patent**
Hardy

(10) **Patent No.:** **US D547,678 S**

(45) **Date of Patent:** **** Jul. 31, 2007**

(54) **WATCH CASE**

D515,944 S * 2/2006 Ohki D10/32
D526,215 S * 8/2006 Calvani D10/38

(75) Inventor: **Pierre Hardy**, Paris (FR)

(73) Assignee: **La Montre Hermes S.A.**, Brugg (CH)

(**) Term: **14 Years**

(21) Appl. No.: **29/249,085**

(22) Filed: **Sep. 19, 2006**

(30) **Foreign Application Priority Data**

Mar. 20, 2006 (WO) DM/067676

(51) **LOC (8) Cl.** **10-02**

(52) **U.S. Cl.** **D10/38**

(58) **Field of Classification Search** D10/30-39;
368/276-278, 281-283, 285, 308, 228, 239-242,
368/223

See application file for complete search history.

(56) **References Cited**

U.S. PATENT DOCUMENTS

D52,316 S *	8/1918	Glasman	D10/38
1,629,040 A *	5/1927	McGrevy	368/281
D80,359 S *	1/1930	Conant	D10/38
2,107,176 A *	2/1938	Dinhofer	368/281
D294,010 S *	2/1988	Bouchet	D10/30
D302,132 S *	7/1989	Woomer	D10/39
5,146,437 A *	9/1992	Boucheron	368/282
5,400,304 A *	3/1995	Offenstein	368/285
D403,248 S *	12/1998	Magninat	D10/30
D407,334 S *	3/1999	Stoll	D10/32
D423,373 S *	4/2000	Wunderman	D10/32
D445,697 S *	7/2001	Hysek	D10/30

OTHER PUBLICATIONS

Wristwatches, A Connoisseur's Guide, by Frank Edwards, copyright 1997, Firefly publishing, p. 114, Patel Philippe Gondolo watch.*

* cited by examiner

Primary Examiner—Lucy Lieberman

(74) *Attorney, Agent, or Firm*—Darby & Darby

(57) **CLAIM**

The ornamental design for a watch case, as shown and described.

DESCRIPTION

FIG. 1 is a front and left side perspective view of a watch case showing my new design;

FIG. 2 is a front elevation with the watch case shown inverted from the position shown in FIG. 1;

FIG. 3 is a rear elevation thereof;

FIG. 4 is a side elevation as seen from the left side of FIG. 1;

FIG. 5 is a side elevation as seen from the right side of FIG. 1;

FIG. 6 is a top view of FIG. 1; and,

FIG. 7 is a bottom view of FIG. 1.

The broken line showing of fasteners of the watch case is for illustrative purposes only and forms no part of the claimed design.

1 Claim, 2 Drawing Sheets

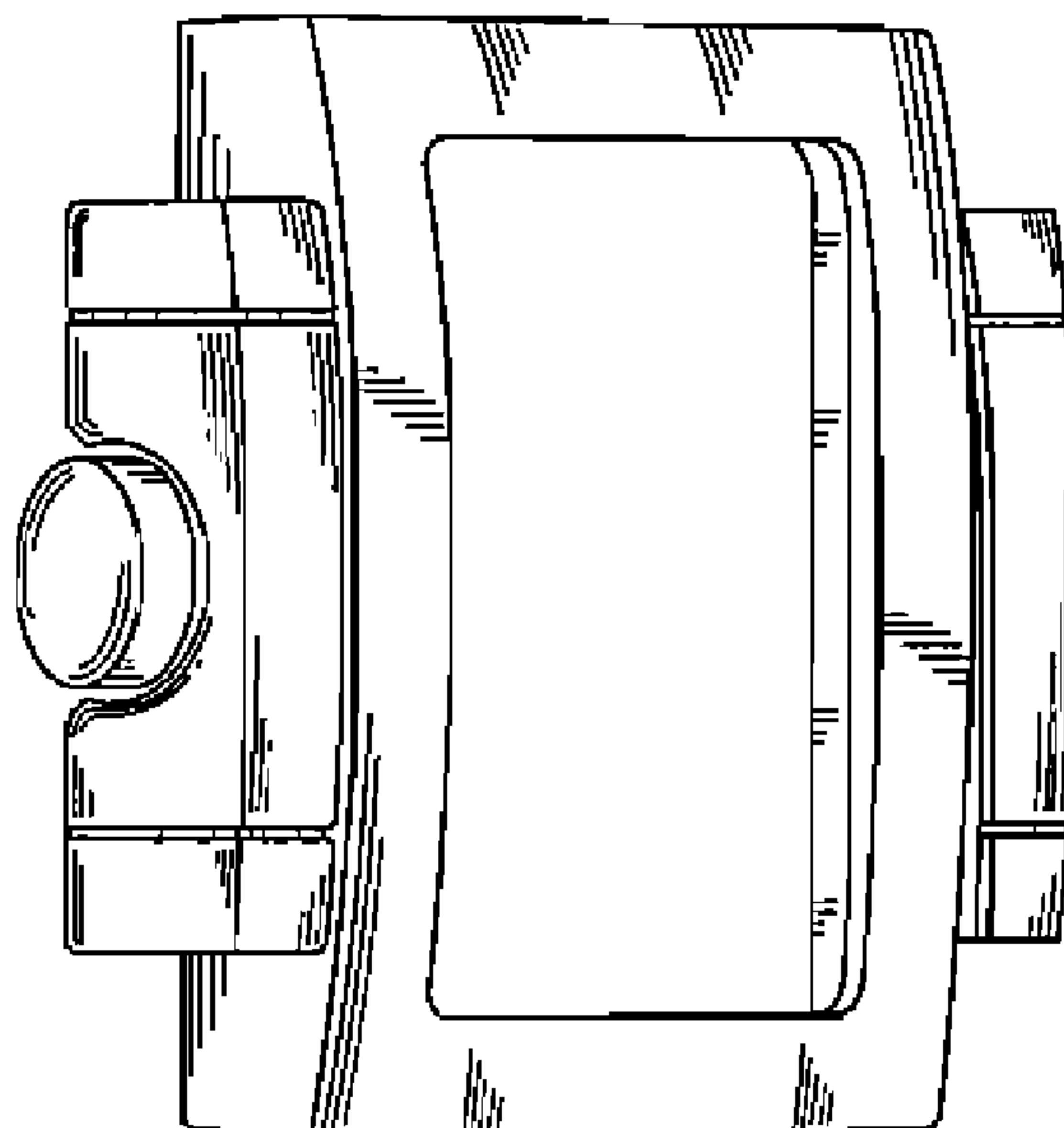


FIG. 1

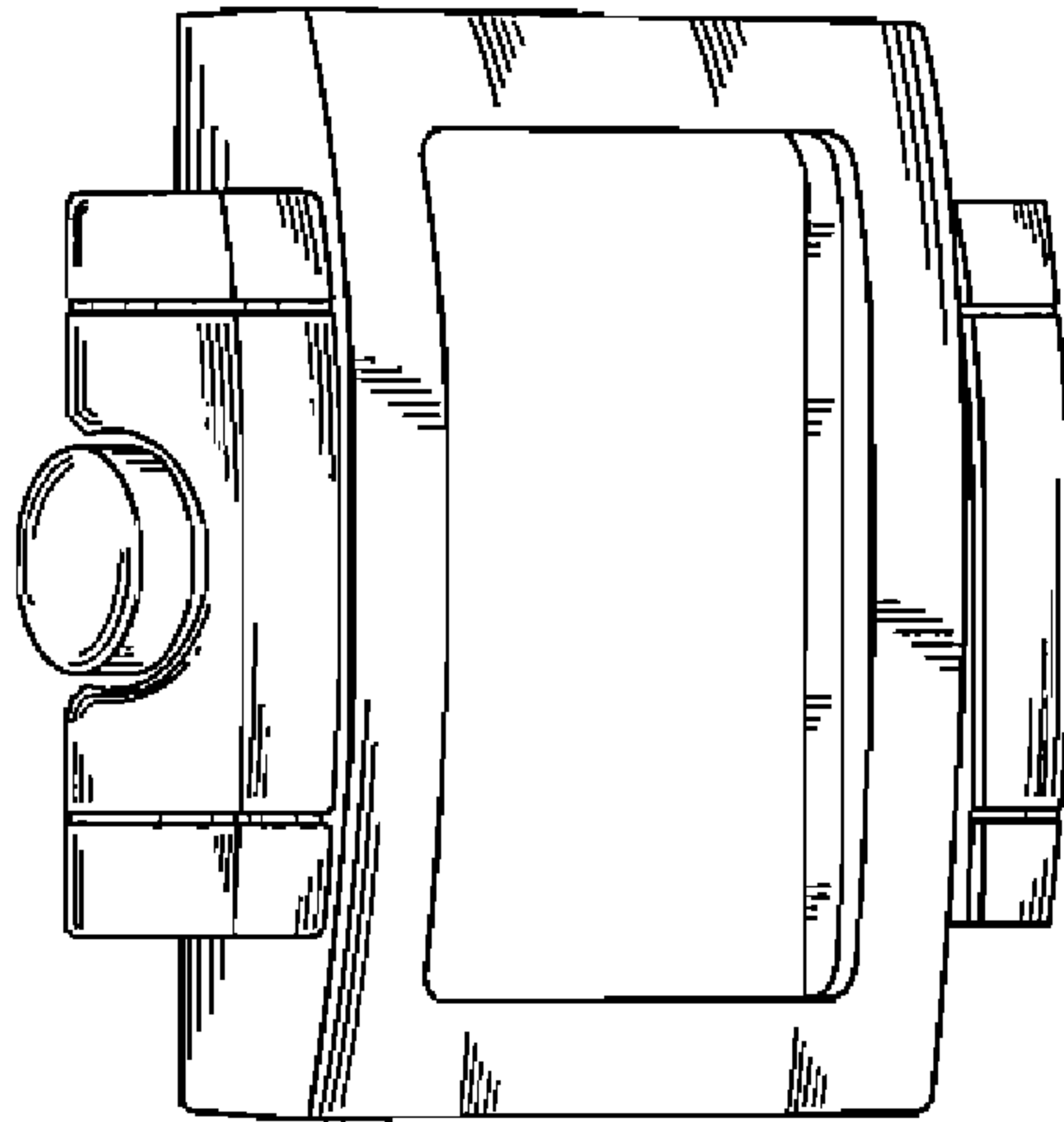


FIG. 2

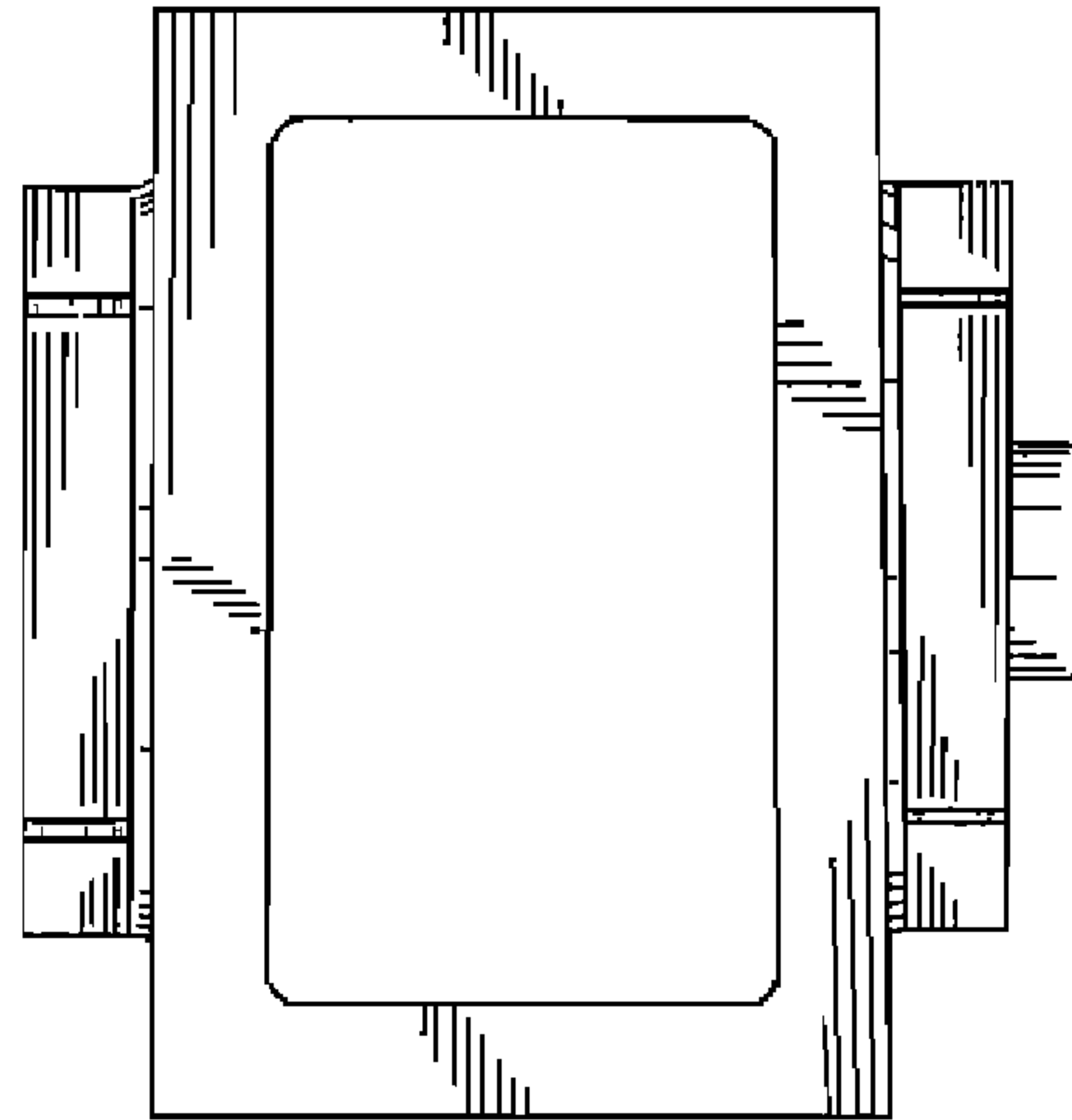


FIG. 3

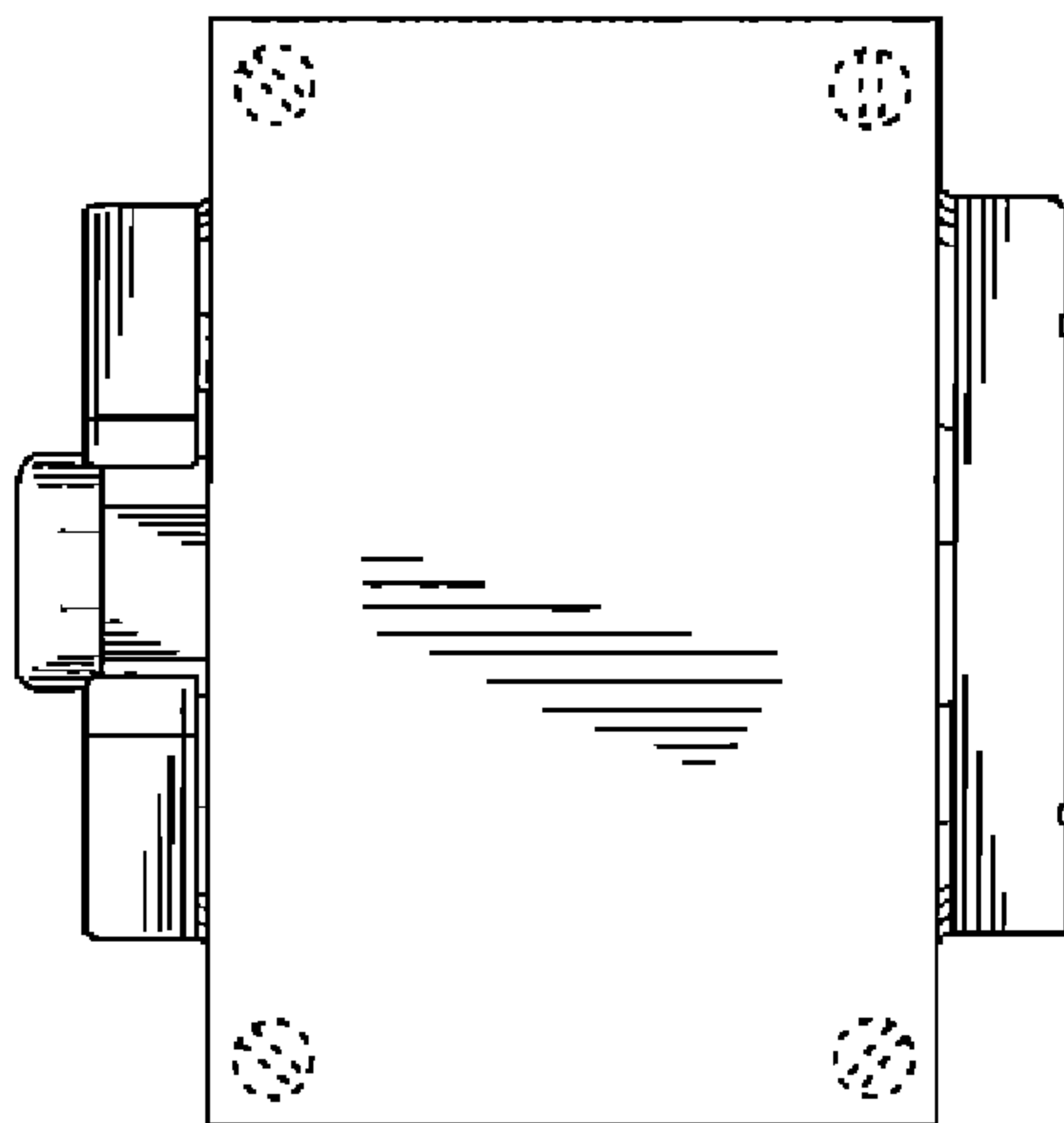


FIG. 4

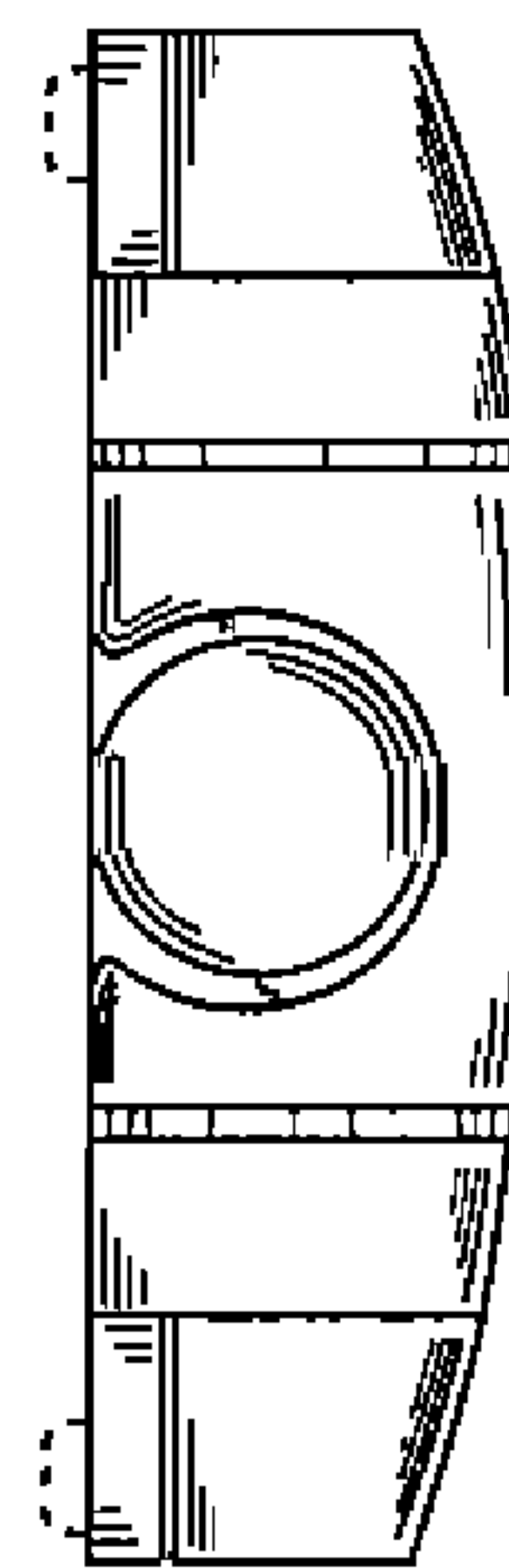


FIG. 5

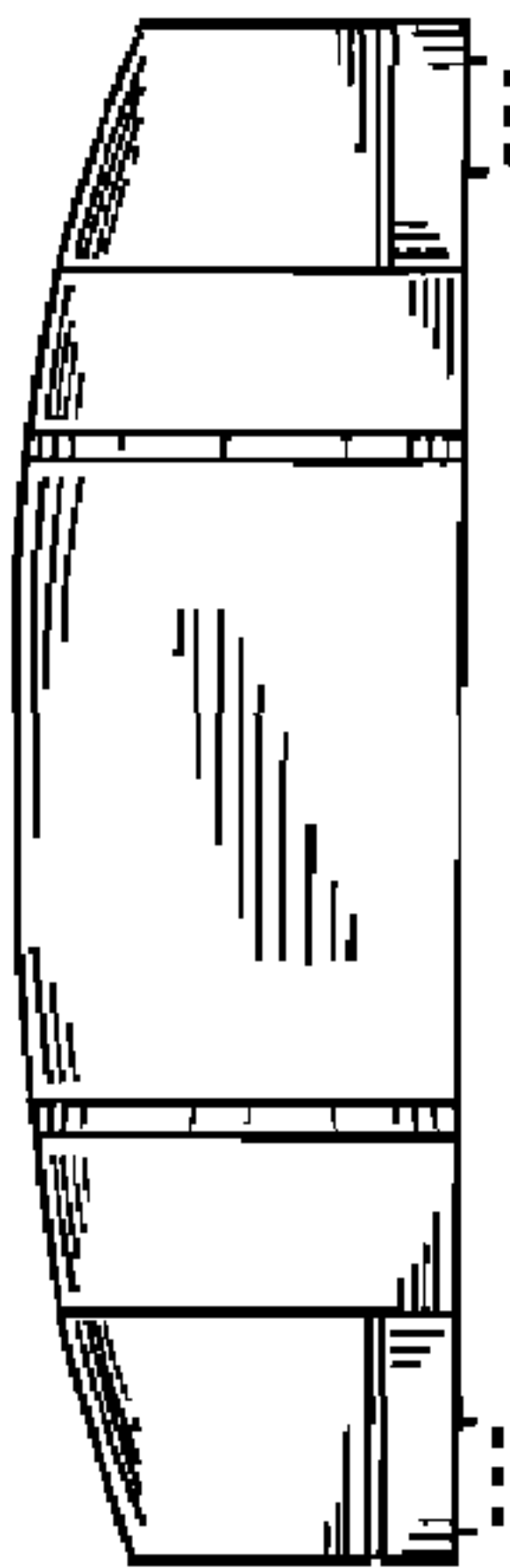


FIG. 6

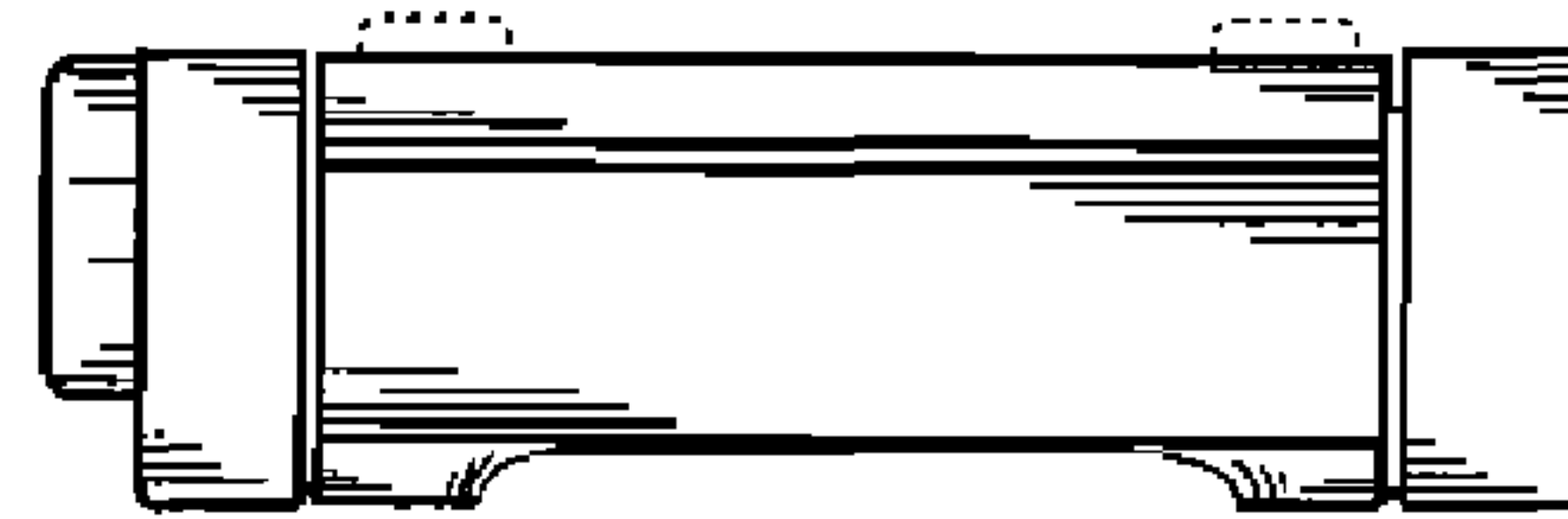


FIG. 7

