

US00D547677S

(12) **United States Design Patent**
Kume et al.

(10) **Patent No.:** **US D547,677 S**

(45) **Date of Patent:** **** Jul. 31, 2007**

(54) **PORTION OF A WATCH CASE**

D484,423 S * 12/2003 Takahashi D10/32
D508,653 S * 8/2005 Roden D10/32

(75) Inventors: **Katsunori Kume**, Tokyo (JP); **Junichi Kamata**, Musashino (JP)

OTHER PUBLICATIONS

(73) Assignee: **Seiko Watch Kabushiki Kaisha** (JP)

Official Japanese Gazette; Japanese Design Registration No. 821437, Issued Oct. 21, 1991.

(**) Term: **14 Years**

Official Japanese Gazette; Japanese Design Registration No. 821437, Issued Oct. 28, 1992.

(21) Appl. No.: **29/234,294**

Official Japanese Gazette; Japanese Design Registration No. 888910, Issued Jan. 31, 1994.

(22) Filed: **Jul. 15, 2005**

* cited by examiner

(30) **Foreign Application Priority Data**

Primary Examiner—Lucy Lieberman

Jan. 17, 2005 (JP) 2005-000970

(74) *Attorney, Agent, or Firm*—SAIDMAN DesignLaw Group

(51) **LOC (8) Cl.** **10-02**

(57) **CLAIM**

(52) **U.S. Cl.** **D10/38**

(58) **Field of Classification Search** D10/30–39,
D10/122–132; 368/276–278, 281–283, 285,
368/228, 232, 223, 28

The ornamental design for a portion of a watch case, as shown and described.

See application file for complete search history.

DESCRIPTION

(56) **References Cited**

FIG. 1 is a perspective view of a portion of a watch case;

U.S. PATENT DOCUMENTS

FIG. 2 is a front view thereof;

- 4,653,933 A * 3/1987 Reichel 368/282
- D334,715 S * 4/1993 Besson D10/39
- D336,616 S * 6/1993 Gueit D10/39
- 5,235,562 A * 8/1993 Vaucher 368/28
- D352,470 S * 11/1994 Besson D10/39
- D373,957 S * 9/1996 Mareschal D10/30
- D386,421 S * 11/1997 Kennedy D10/30
- 5,943,299 A * 8/1999 Genta 368/28
- D443,835 S * 6/2001 Butler D10/33
- D459,241 S * 6/2002 Bodino D10/32
- D473,473 S * 4/2003 Wunderman D10/32

FIG. 3 is a rear view thereof;

FIG. 4 is a left side view thereof;

FIG. 5 is a right side view thereof;

FIG. 6 is a top plan view thereof; and,

FIG. 7 is a bottom view thereof.

The broken lines shown in the drawings are for illustrative purposes only and form no part of the claimed design.

1 Claim, 4 Drawing Sheets

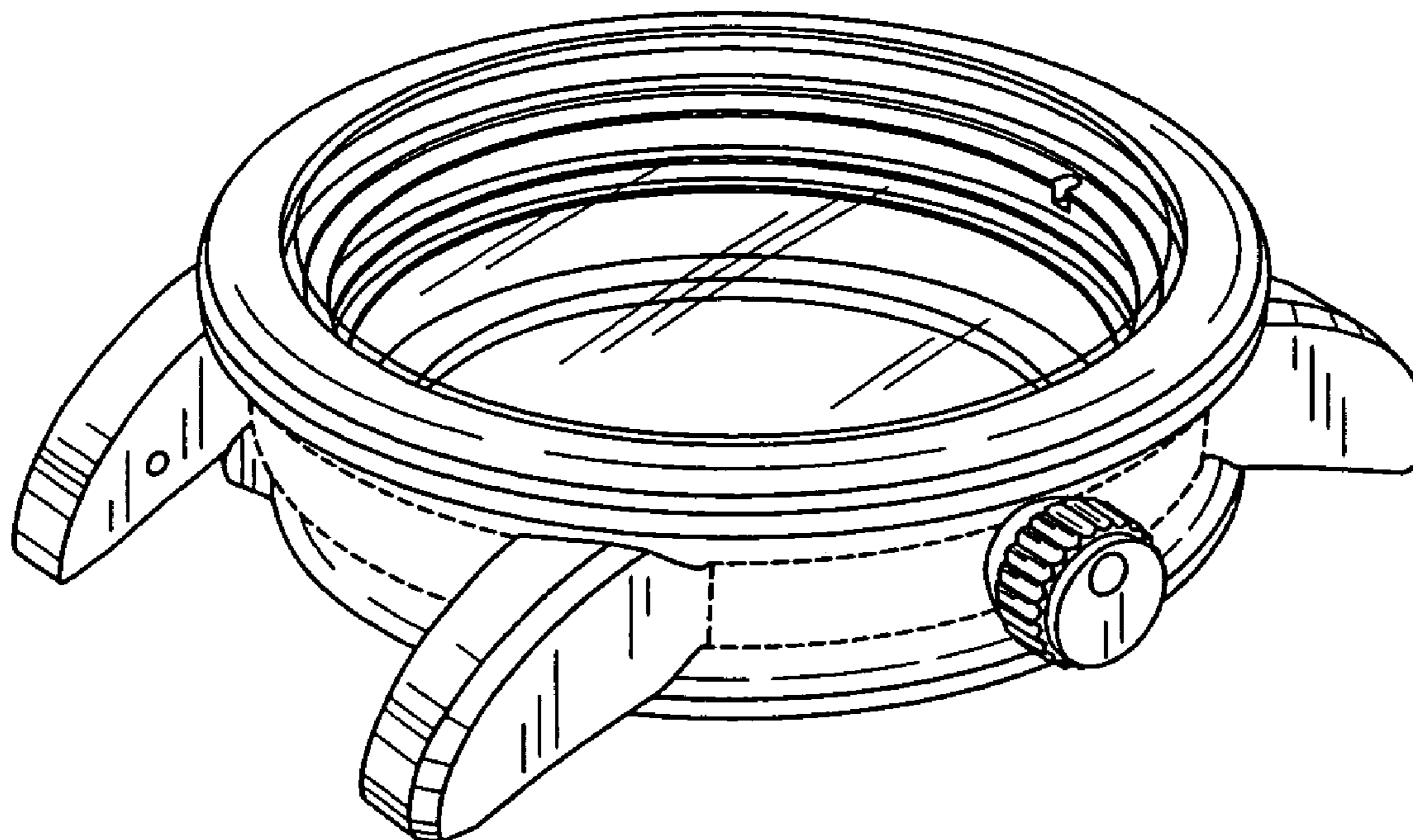


Fig. 1

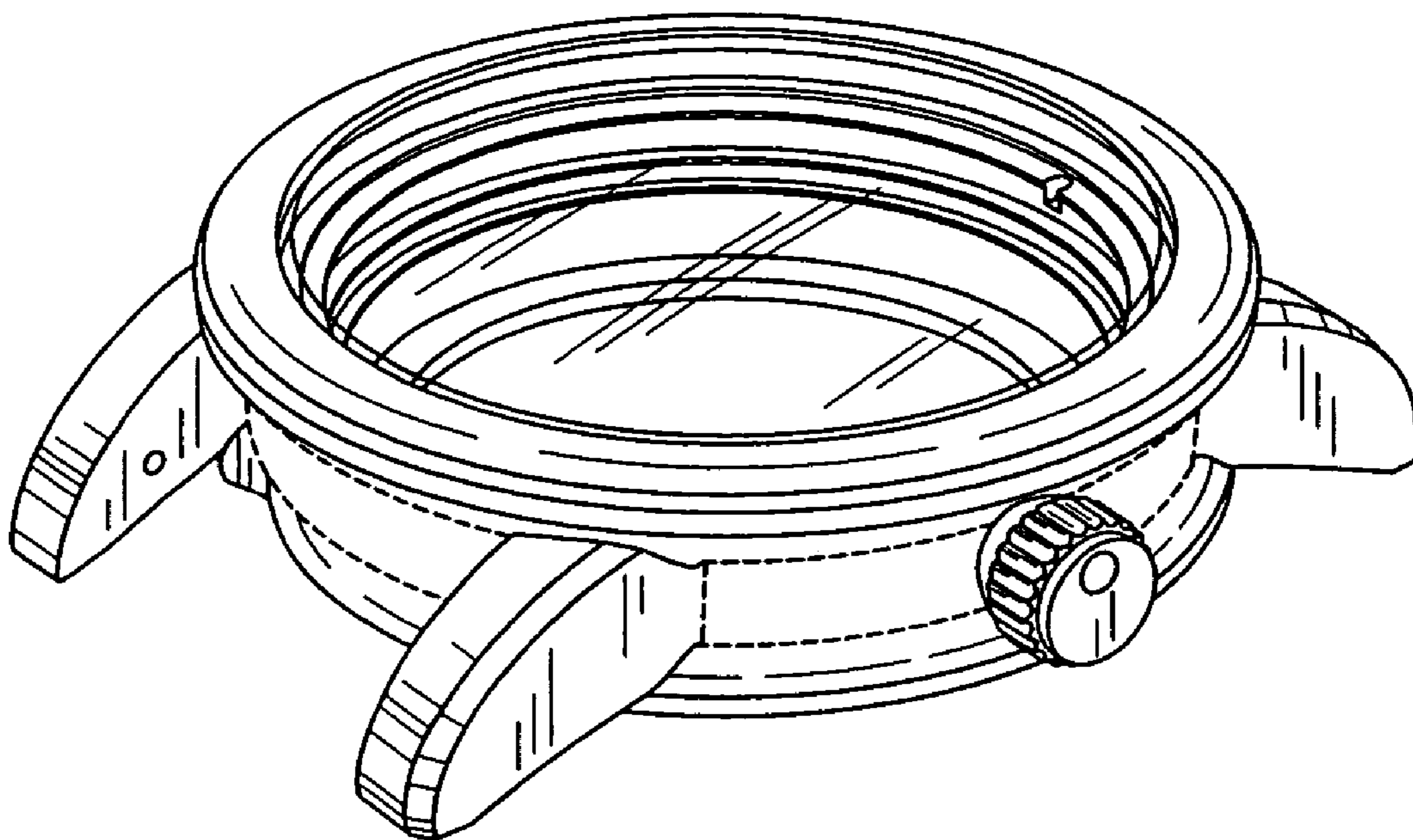


Fig.2

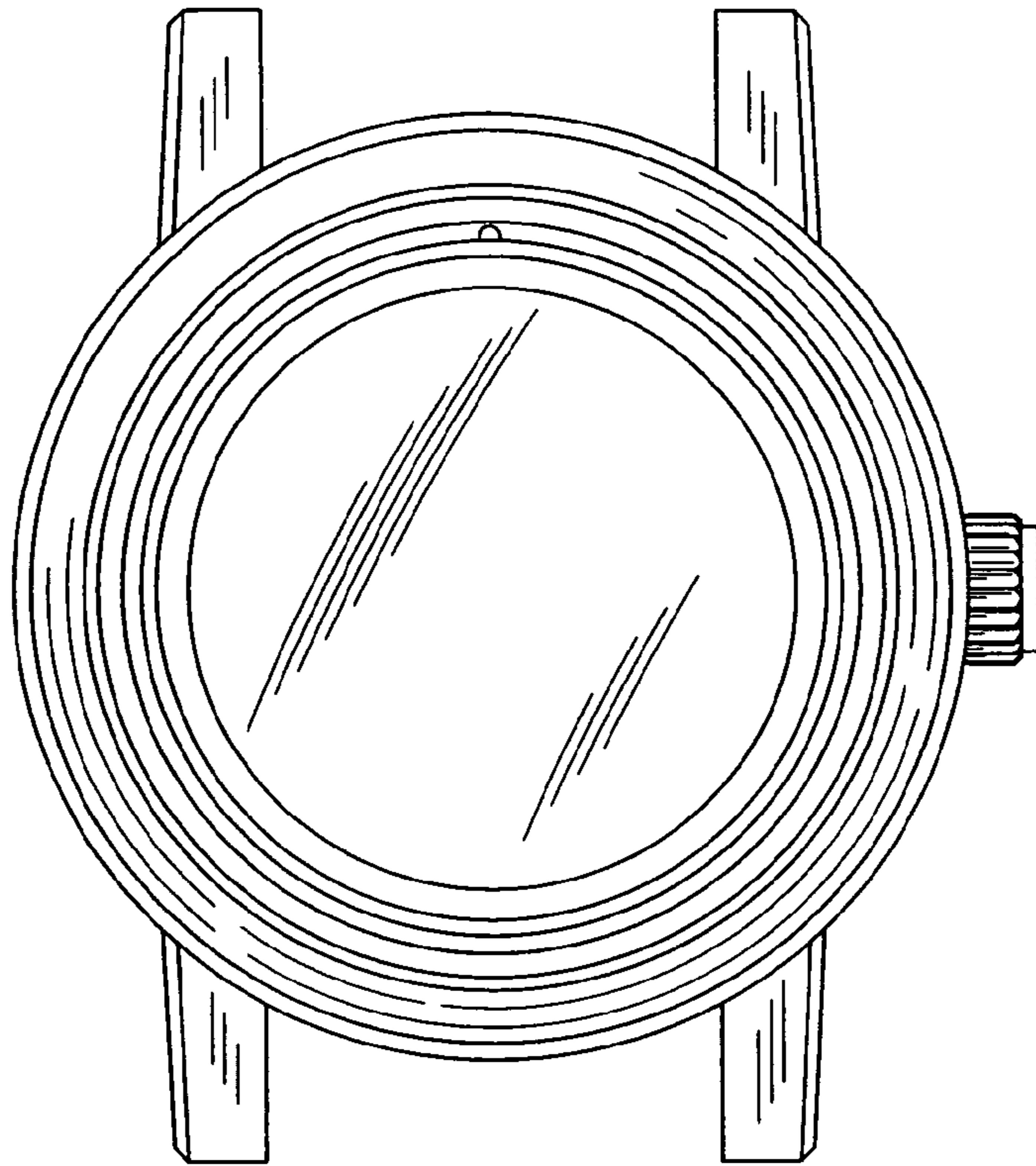


Fig.3

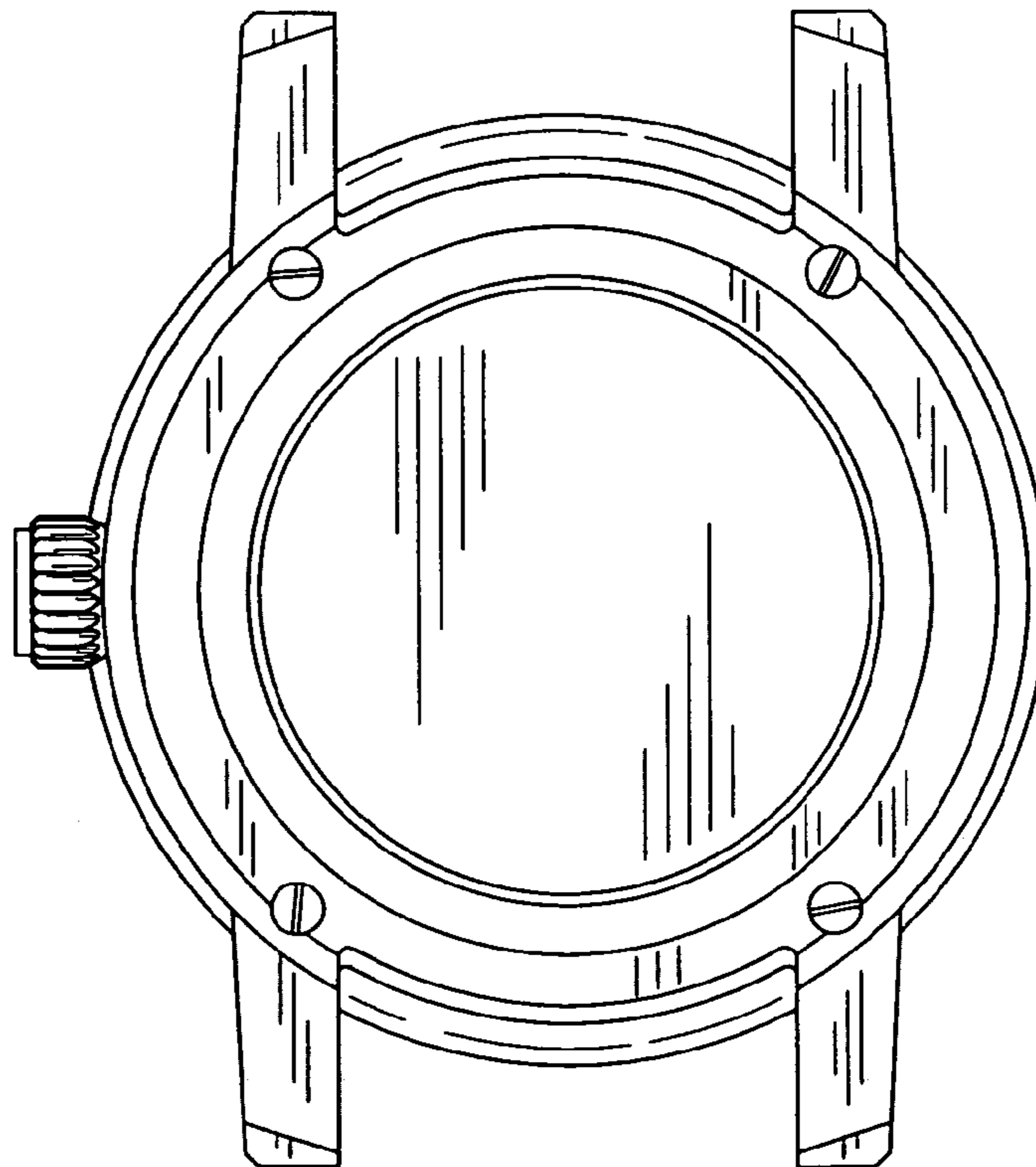


Fig.4

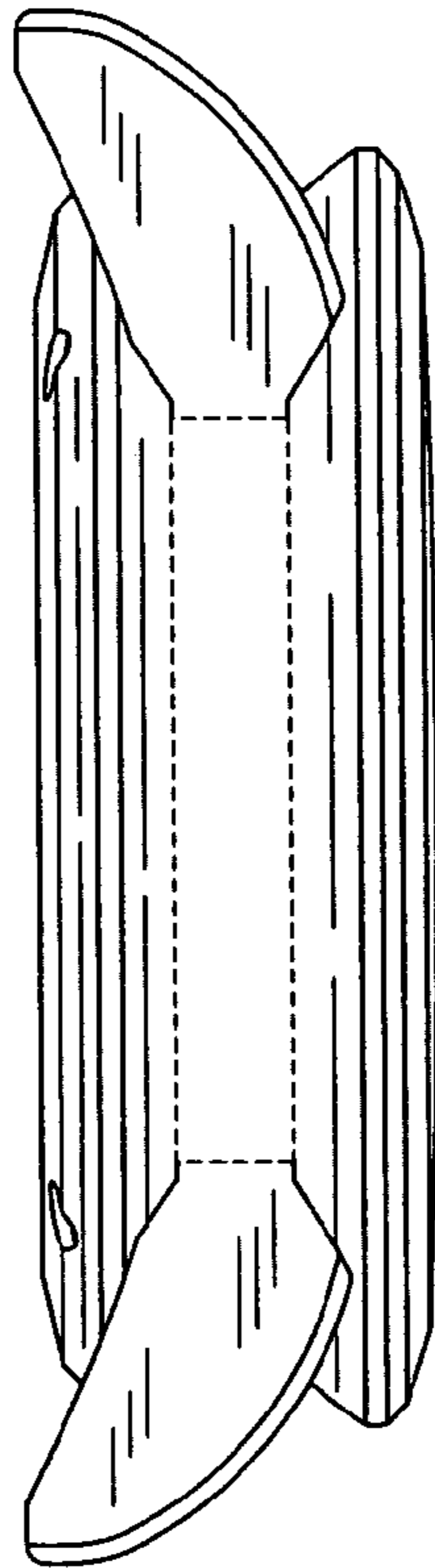


Fig.5

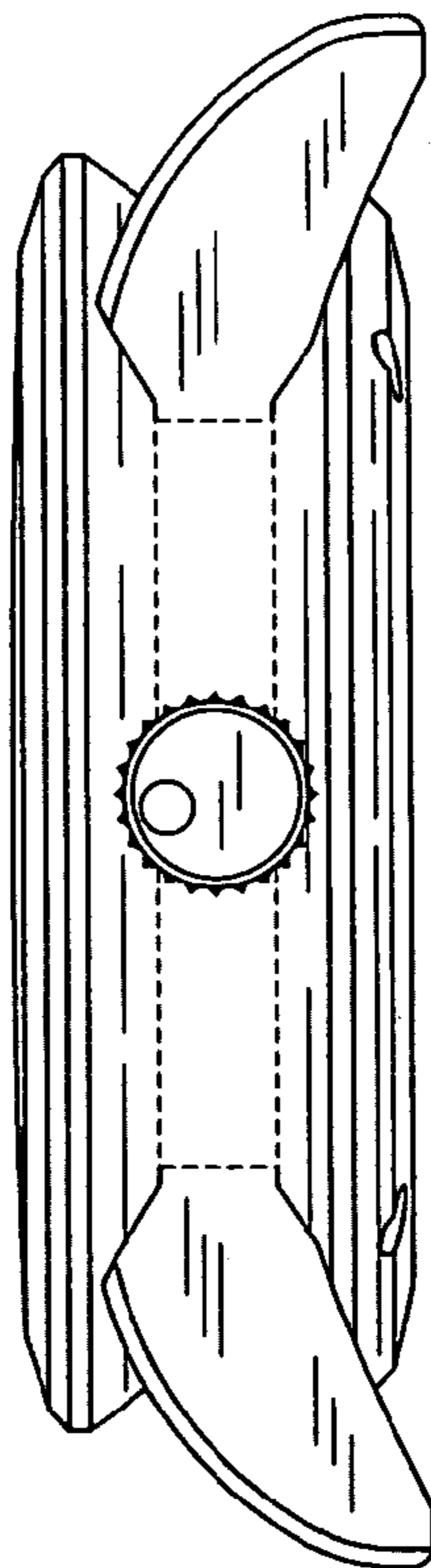


Fig.6

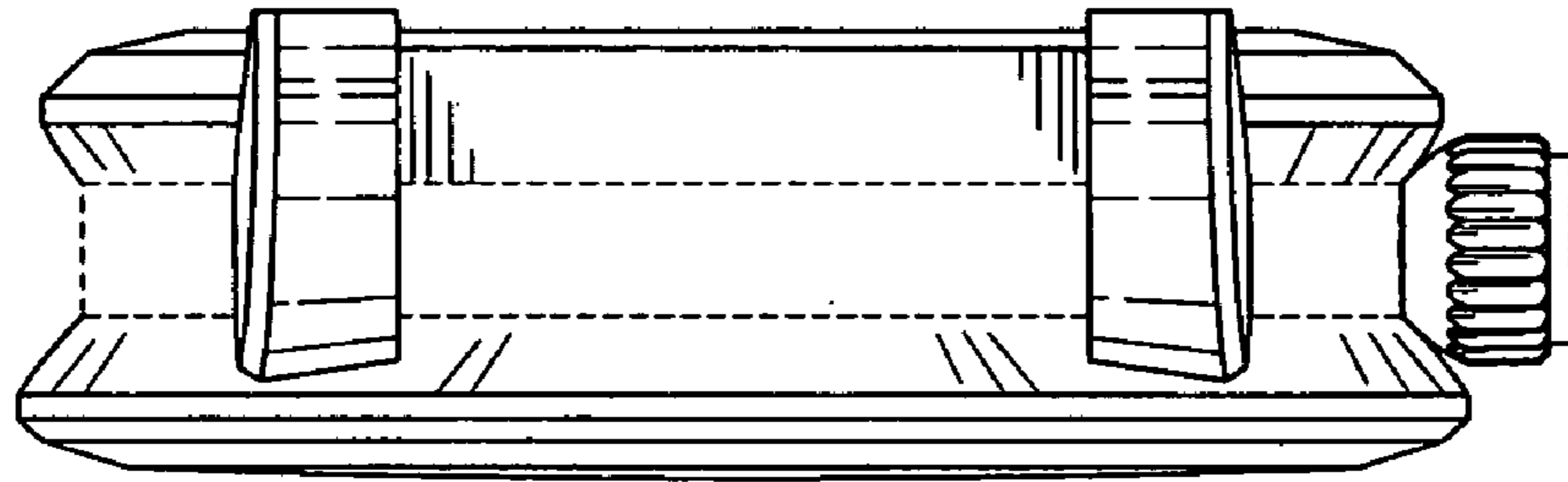
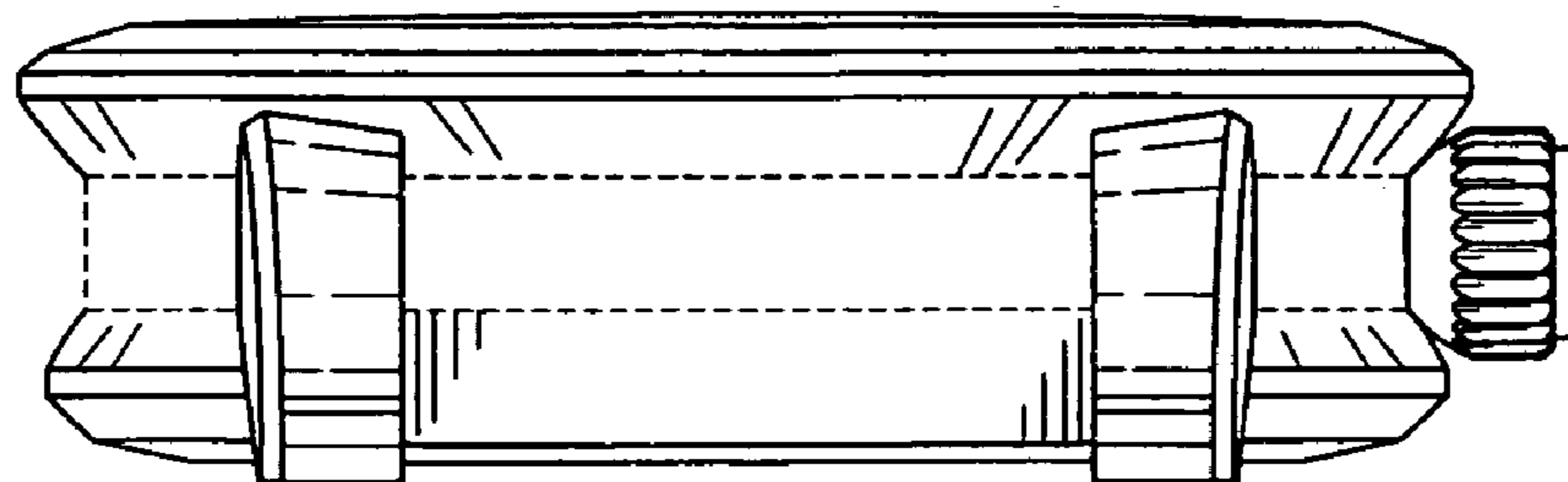


Fig.7



UNITED STATES PATENT AND TRADEMARK OFFICE
CERTIFICATE OF CORRECTION

PATENT NO. : Des. 547,677 S
APPLICATION NO. : 29/234294
DATED : July 31, 2007
INVENTOR(S) : Katsunori Kume and Junichi Kamata

Page 1 of 1

It is certified that error appears in the above-identified patent and that said Letters Patent is hereby corrected as shown below:

On The Title Page Item (56) In the References Cited, OTHER PUBLICATIONS

Currently:

Official Japanese Gazette; Japanese Design Registration No. 821437, Issued
Oct. 28, 1992

Should be:

Official Japanese Gazette; Japanese Design Registration No. 851068, Issued
Oct. 28, 1992

Signed and Sealed this

Sixth Day of November, 2007

A handwritten signature in black ink on a dotted background. The signature reads "Jon W. Dudas" in a cursive style.

JON W. DUDAS

Director of the United States Patent and Trademark Office