

US00D547668S

(12) **United States Design Patent** (10) **Patent No.:** **US D547,668 S**
Perez (45) **Date of Patent:** **** Jul. 31, 2007**

(54) **BOTTLE**

(75) Inventor: **Rafael Godinez Perez**, Hidalgo 64,
Col. Las Pinitas Municipio de El Salto,
Jalisco 45693 (MX)

(73) Assignee: **Rafael Godinez Perez (MX)**

(**) Term: **14 Years**

(21) Appl. No.: **29/234,149**

(22) Filed: **Jul. 13, 2005**

(30) **Foreign Application Priority Data**

Mar. 17, 2005 (MX) JL/f/2005/000013

(51) **LOC (8) Cl.** **09-01**

(52) **U.S. Cl.** **D9/630; D21/650**

(58) **Field of Classification Search** D7/604,
D7/606, 613, 619.2, 628; D9/600, 630, 516,
D9/519; D11/158; D21/650; 206/457,
206/459.1, 822, 823; 220/890

See application file for complete search history.

(56) **References Cited**

U.S. PATENT DOCUMENTS

D247,259 S * 2/1978 Yonezawa D21/592
D364,800 S * 12/1995 Drewes et al. D9/630
D413,355 S * 8/1999 Cogliano D21/650

OTHER PUBLICATIONS

Avon Products Inc. 1974. p. 36, Skin-so-soft Decanter.*
“Miniature Perfume Bottles” by Glinda Bowman, 1994. p. 138,
Small Wonder Caterpillar by Avon products.*

* cited by examiner

Primary Examiner—Sandra L. Morris

(74) *Attorney, Agent, or Firm*—Knoble Martens Olson &
Bear, LLP

(57) **CLAIM**

The ornamental design for a bottle, as shown and described.

DESCRIPTION

FIG. 1 is a perspective view of a bottle showing my new design;

FIG. 2 is a right side view thereof, the left side view being a mirror image;

FIG. 3 is a front view thereof;

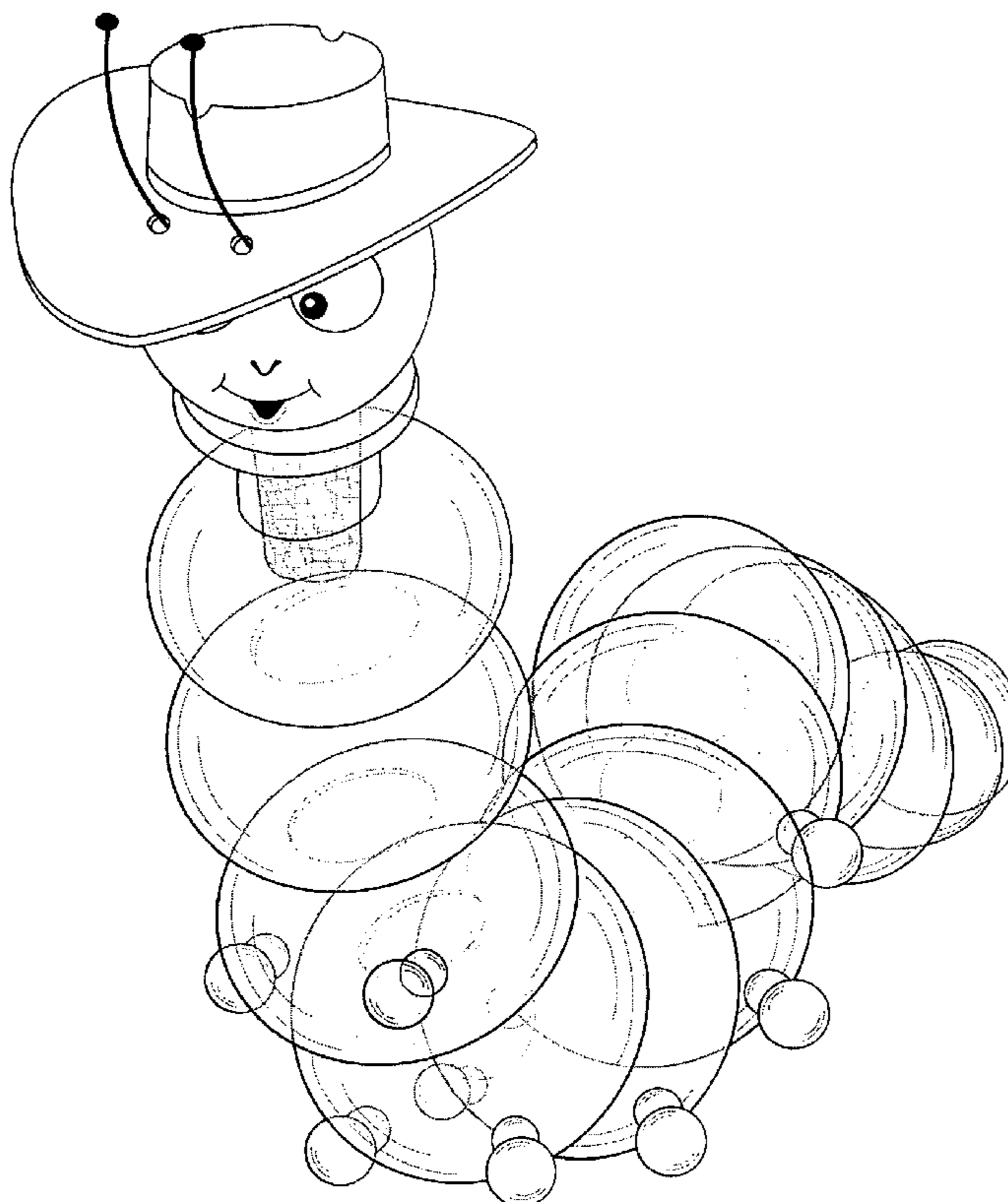
FIG. 4 is a rear view thereof;

FIG. 5 is a top plan view thereof;

FIG. 6 is a bottom plan view thereof; and,

FIG. 7 is another perspective view of the same design showing its cap element separated from the bottle body.

1 Claim, 7 Drawing Sheets



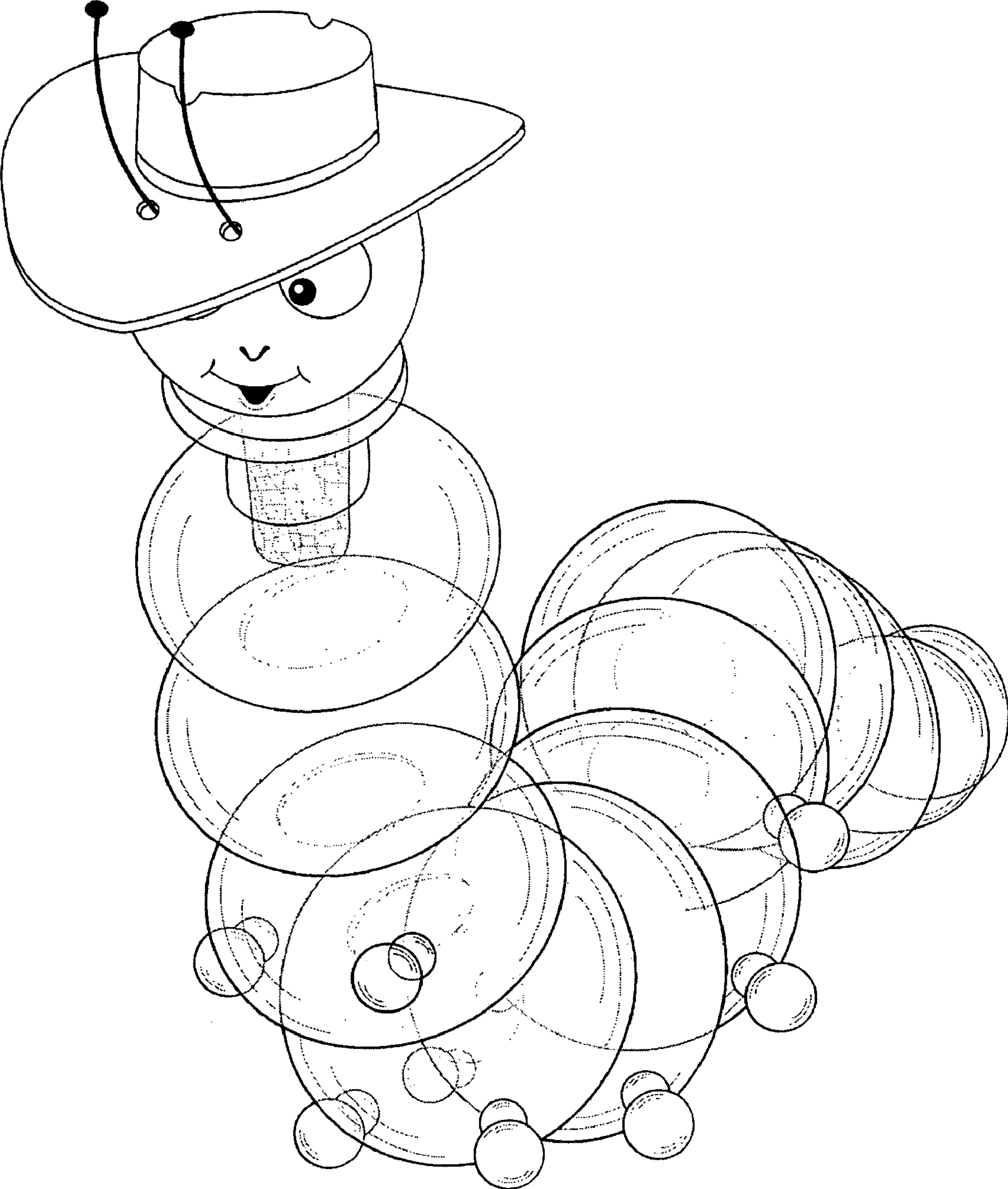
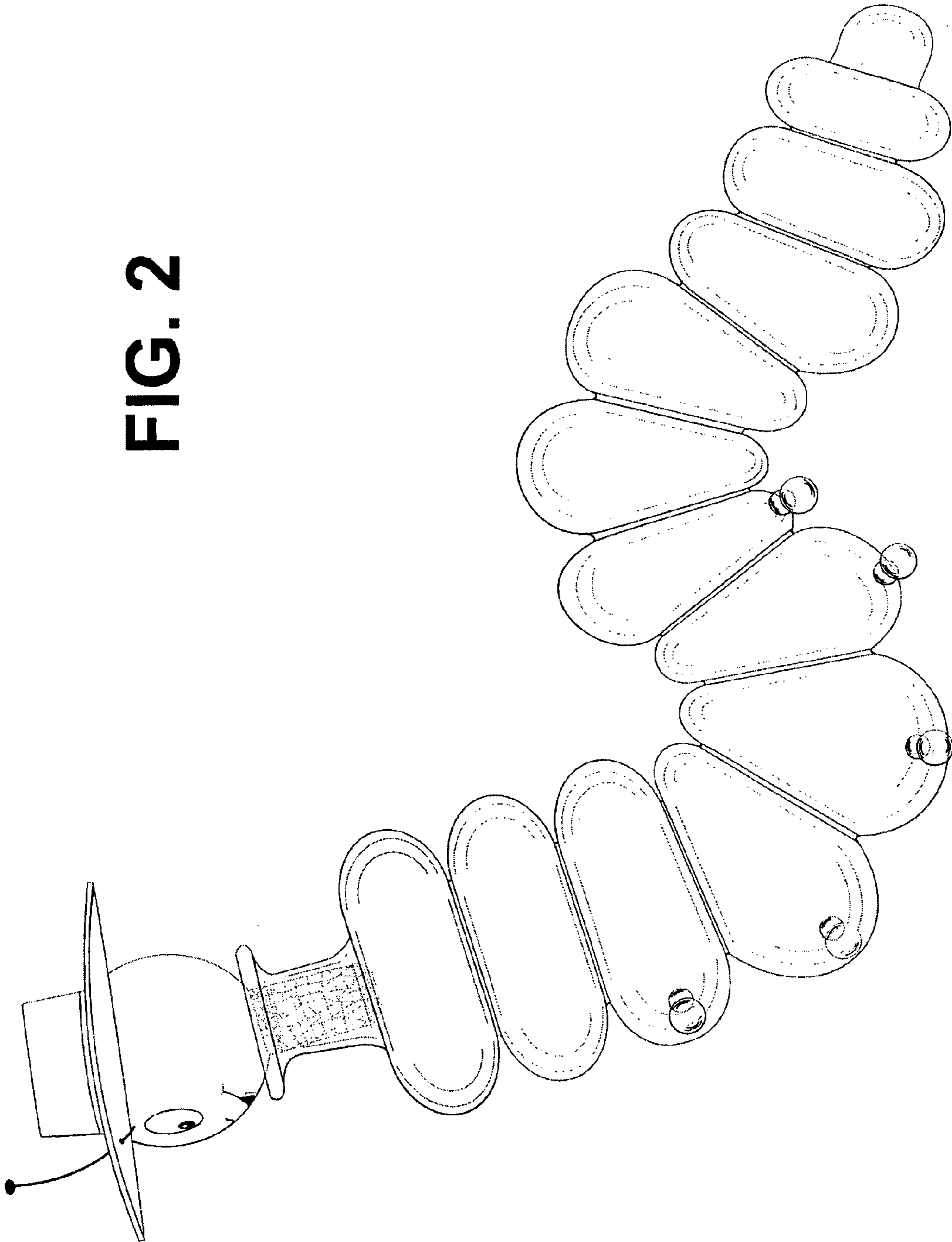


FIG. 1

FIG. 2



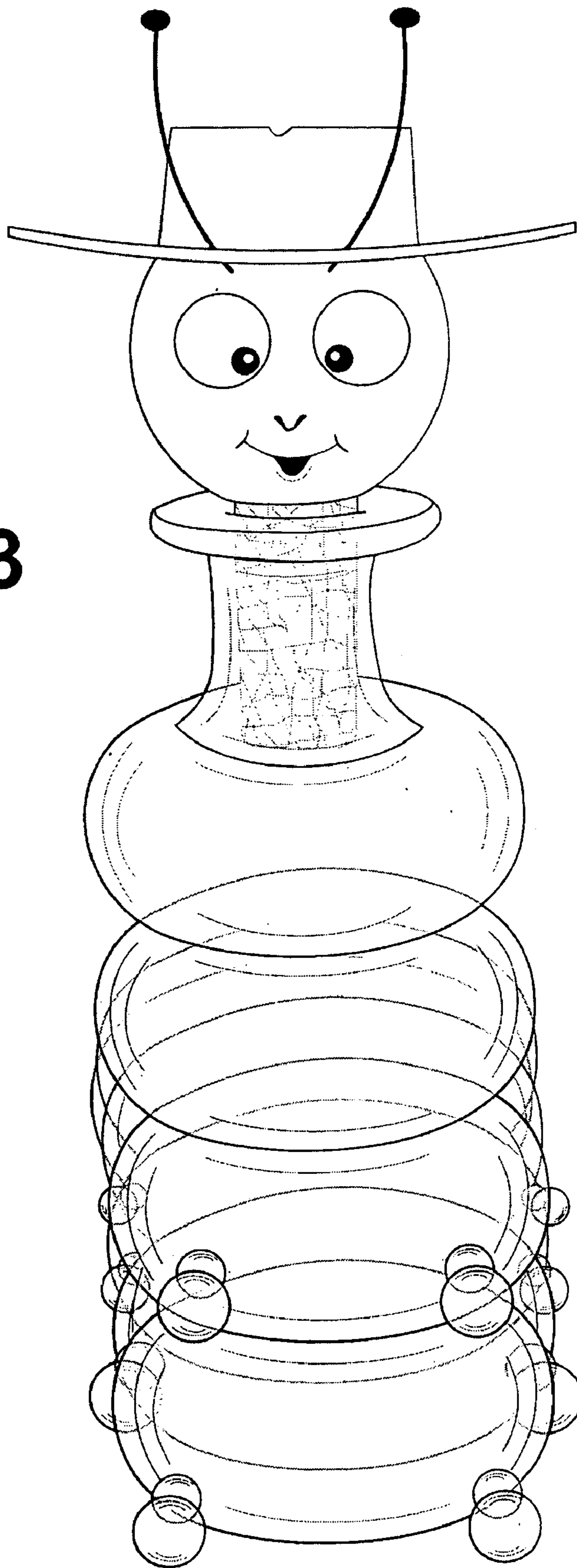


FIG. 3

FIG. 4

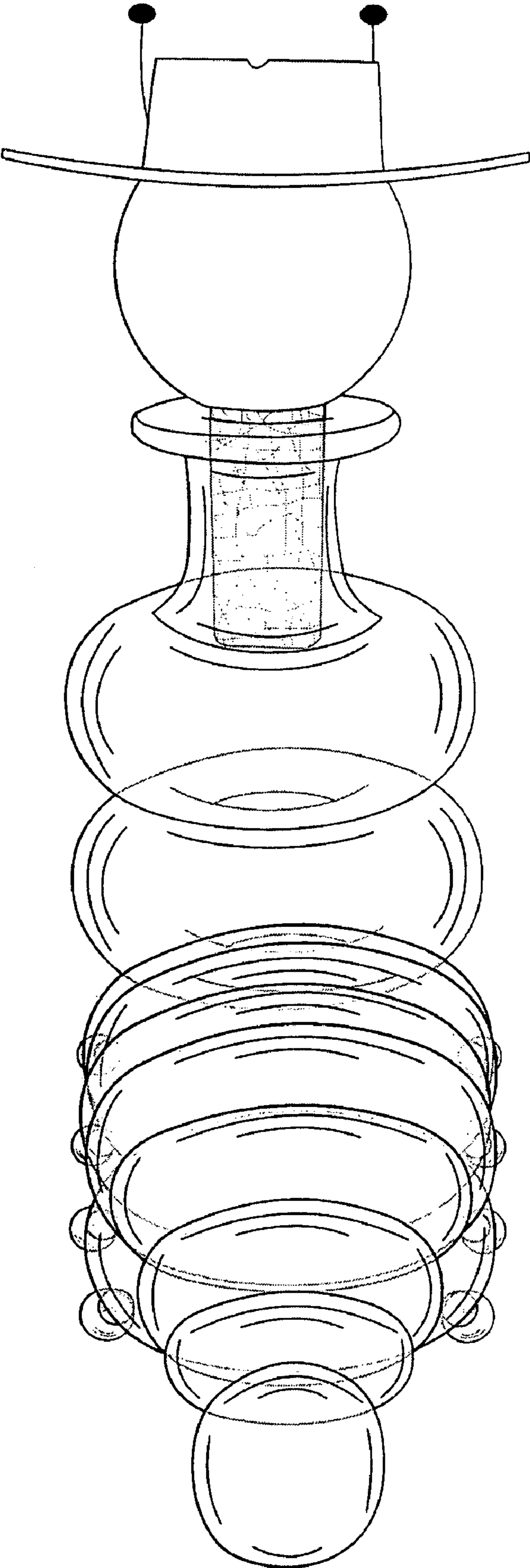


FIG. 5

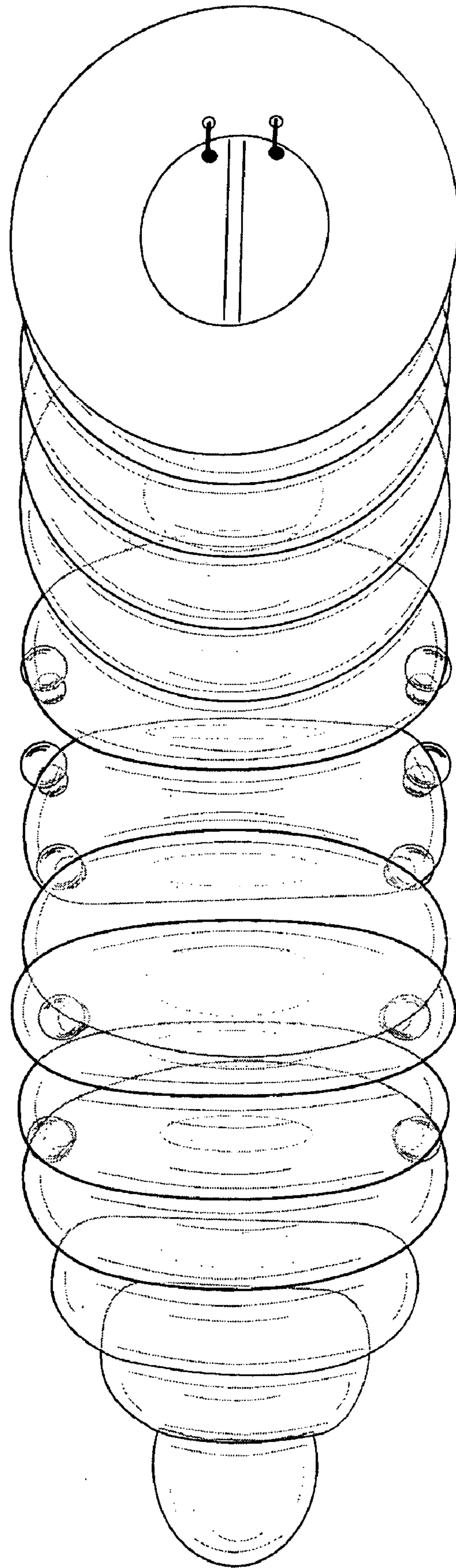
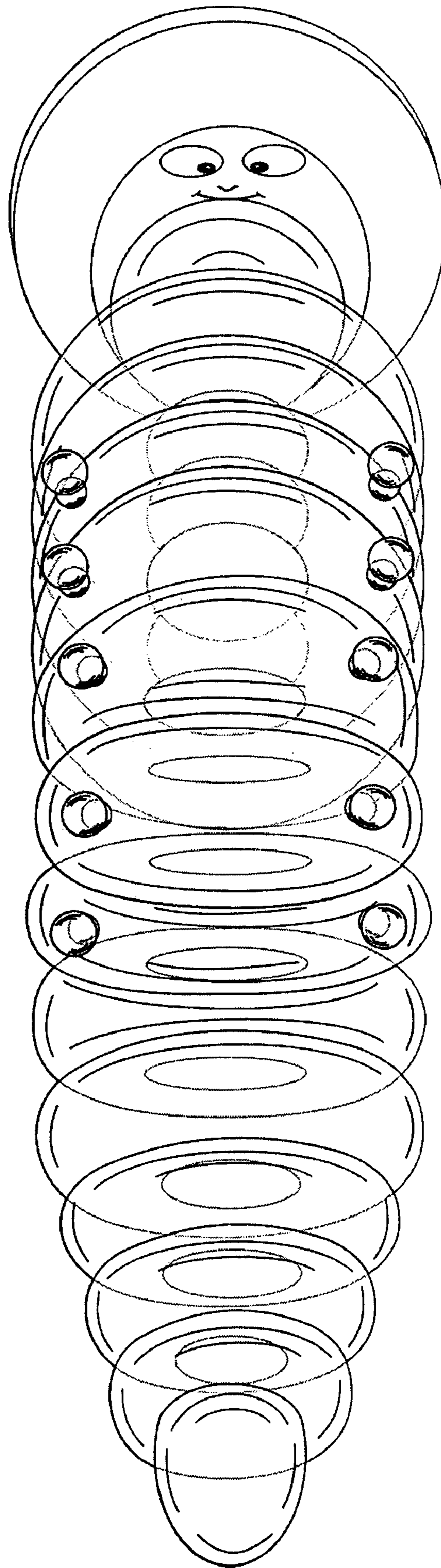


FIG. 6



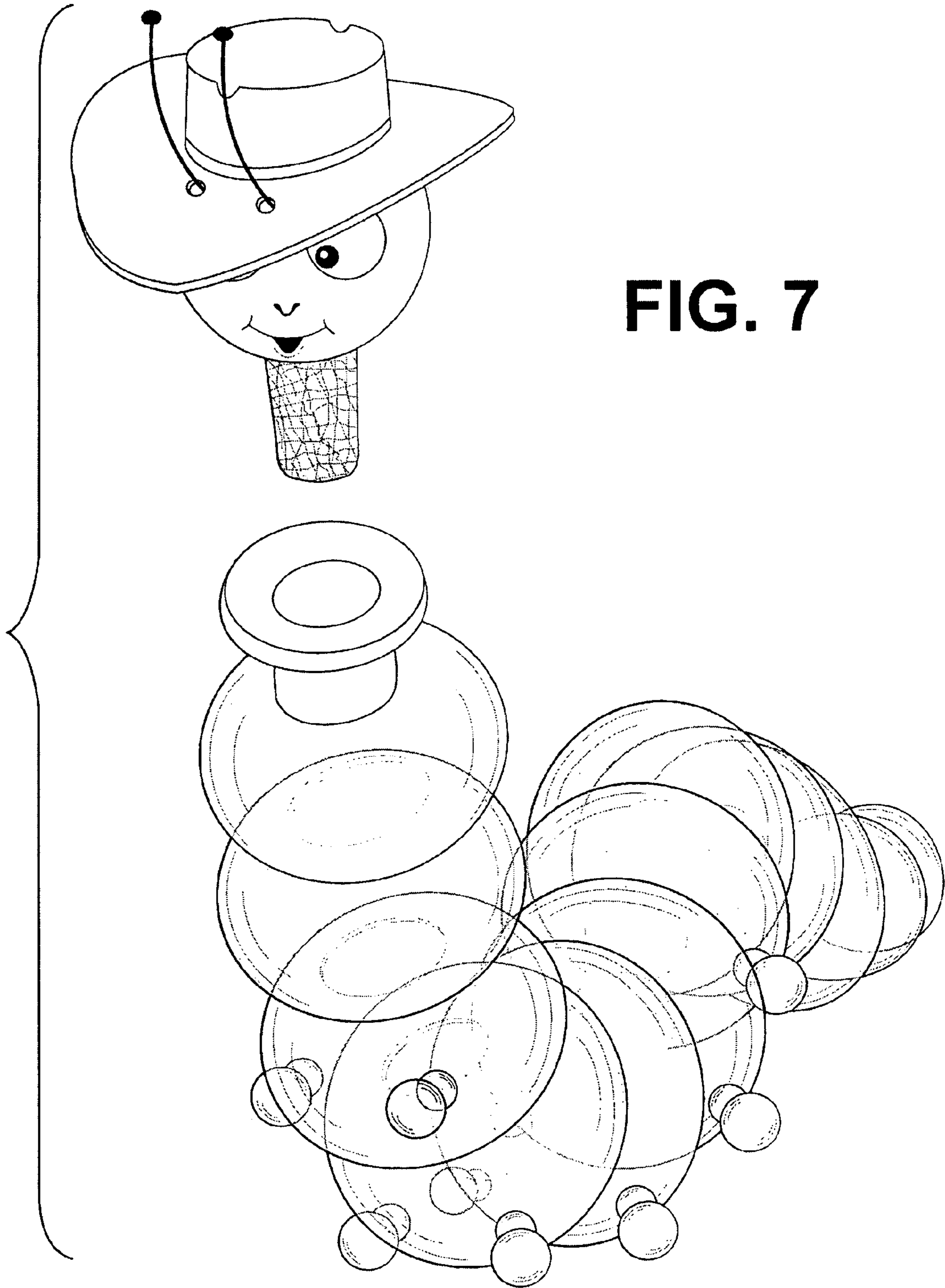


FIG. 7