

US00D547660S

(12) **United States Design Patent**
Lepoitevin

(10) **Patent No.:** **US D547,660 S**

(45) **Date of Patent:** **** Jul. 31, 2007**

(54) **BOTTLE**

(75) Inventor: **Laurent Lepoitevin**, Le Havre Cedex (FR)

(73) Assignee: **Sidel**, Octeville sur Mer (FR)

(**) Term: **14 Years**

(21) Appl. No.: **29/240,794**

(22) Filed: **Oct. 17, 2005**

(30) **Foreign Application Priority Data**

Apr. 19, 2005 (EM) 000326590

(51) **LOC (8) Cl.** **09-01**

(52) **U.S. Cl.** **D9/516; D9/520; D9/530**

(58) **Field of Classification Search** D9/516,
D9/520, 530, 549, 558, 551, 557, 571, 552,
D9/565, 537, 538, 539, 540, 542; 215/381,
215/382, 383, 384

See application file for complete search history.

(56) **References Cited**

U.S. PATENT DOCUMENTS

- D91,653 S * 3/1934 Guyer D9/543
- D182,540 S * 4/1958 Soubier D9/539
- D363,667 S * 10/1995 Baratta-Dragono et al. .. D9/542
- D374,625 S * 10/1996 Flurer et al. D9/542
- D397,616 S * 9/1998 Chen D9/540
- D449,002 S * 10/2001 Valente D9/563

- D460,917 S * 7/2002 Trabal D9/551
- D513,189 S * 12/2005 Busa et al. D9/542
- D513,190 S * 12/2005 Busa et al. D9/550
- D514,945 S * 2/2006 Busa et al. D9/542
- D514,948 S * 2/2006 Busa et al. D9/551
- D527,645 S * 9/2006 Pedmo et al. D9/542

* cited by examiner

Primary Examiner—Stella Reid

Assistant Examiner—Elizabeth J. Oswecki

(74) *Attorney, Agent, or Firm*—James H. Walters

(57) **CLAIM**

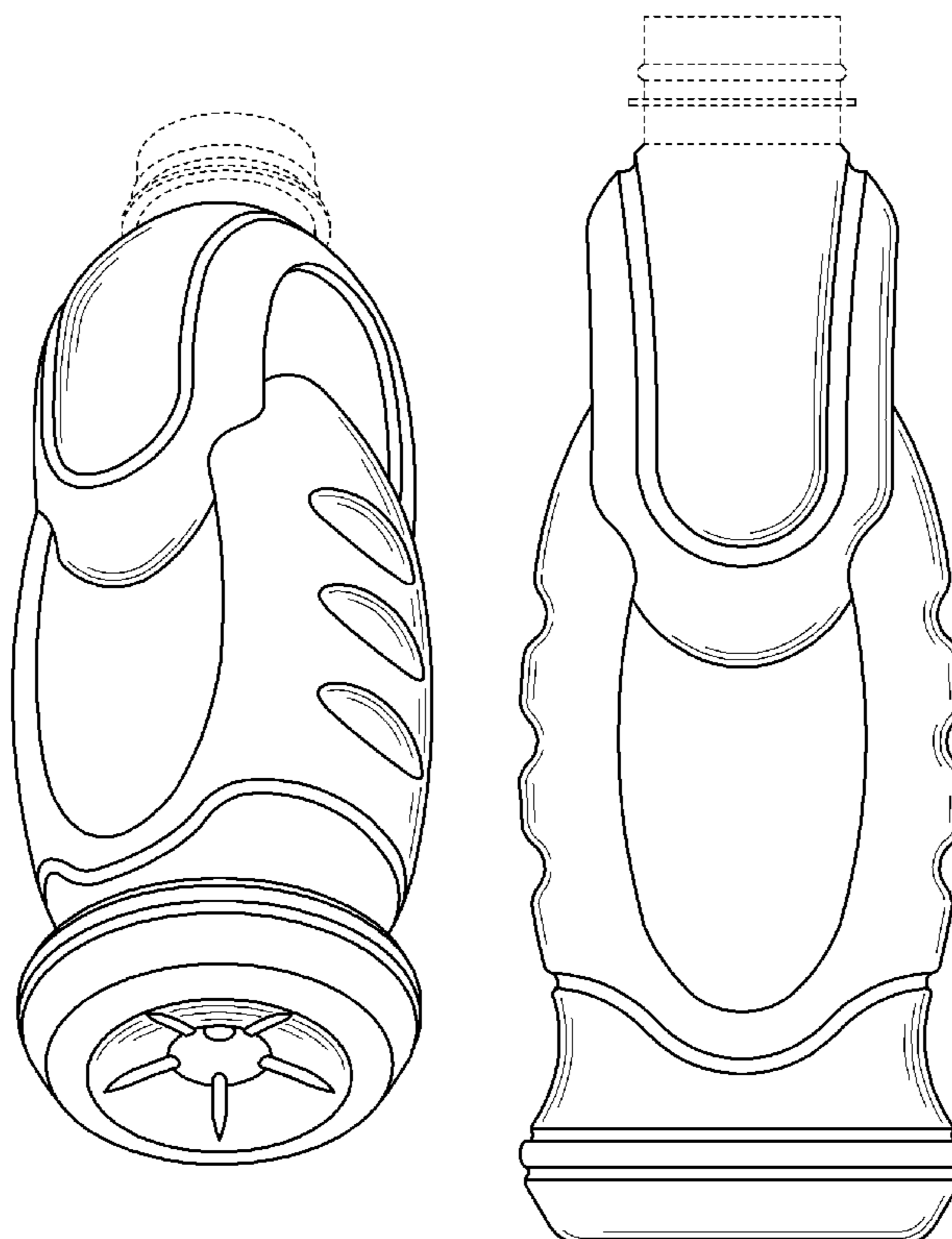
I claim the ornamental design for a bottle, as shown and described.

DESCRIPTION

FIG. 1 is a front perspective view of the design for a bottle; FIG. 2 is a bottom perspective view of the design of FIG. 1; FIG. 3 is a left side view of the design of FIG. 1, the right side being a mirror image thereof; FIG. 4 is a front side view of the design of FIG. 1, the rear side being a mirror image thereof; FIG. 5 is a bottom view of the design of FIG. 1; and, FIG. 6 is a top view of the design of FIG. 1.

The broken line portions in FIGS. 1–4 and 6 are for illustrative purposes only and form no part of the claimed design.

1 Claim, 5 Drawing Sheets



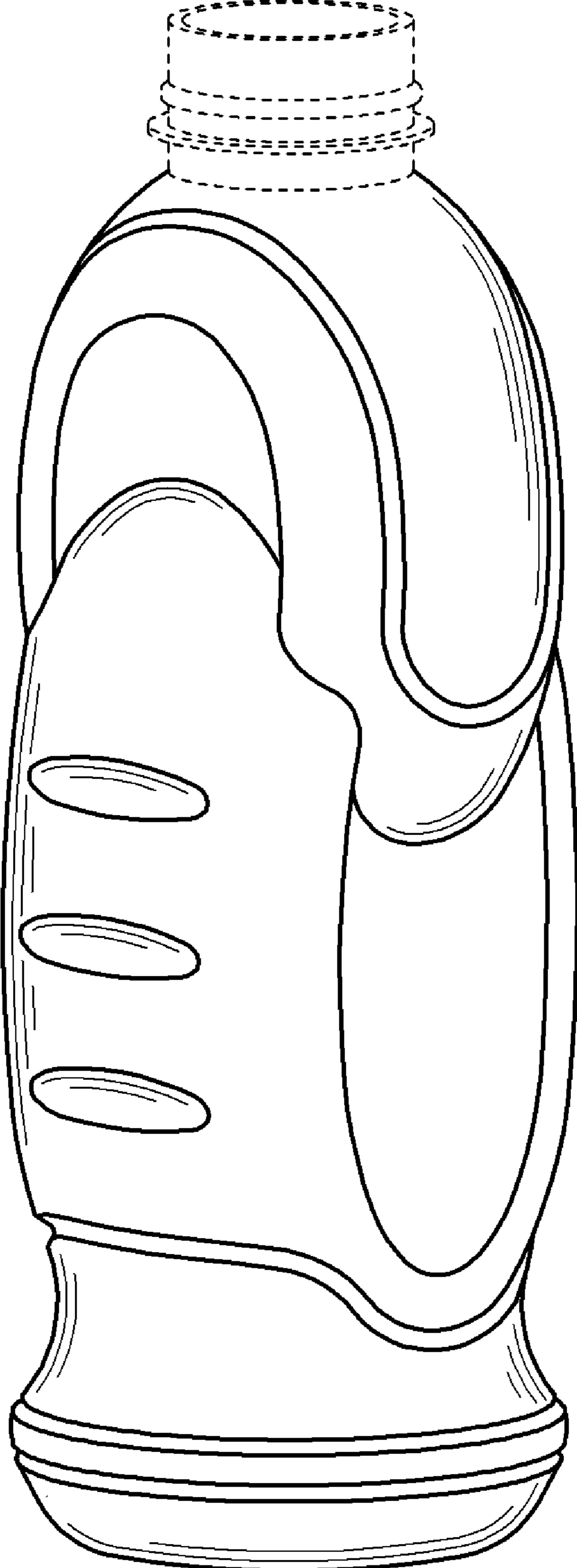


FIG.1

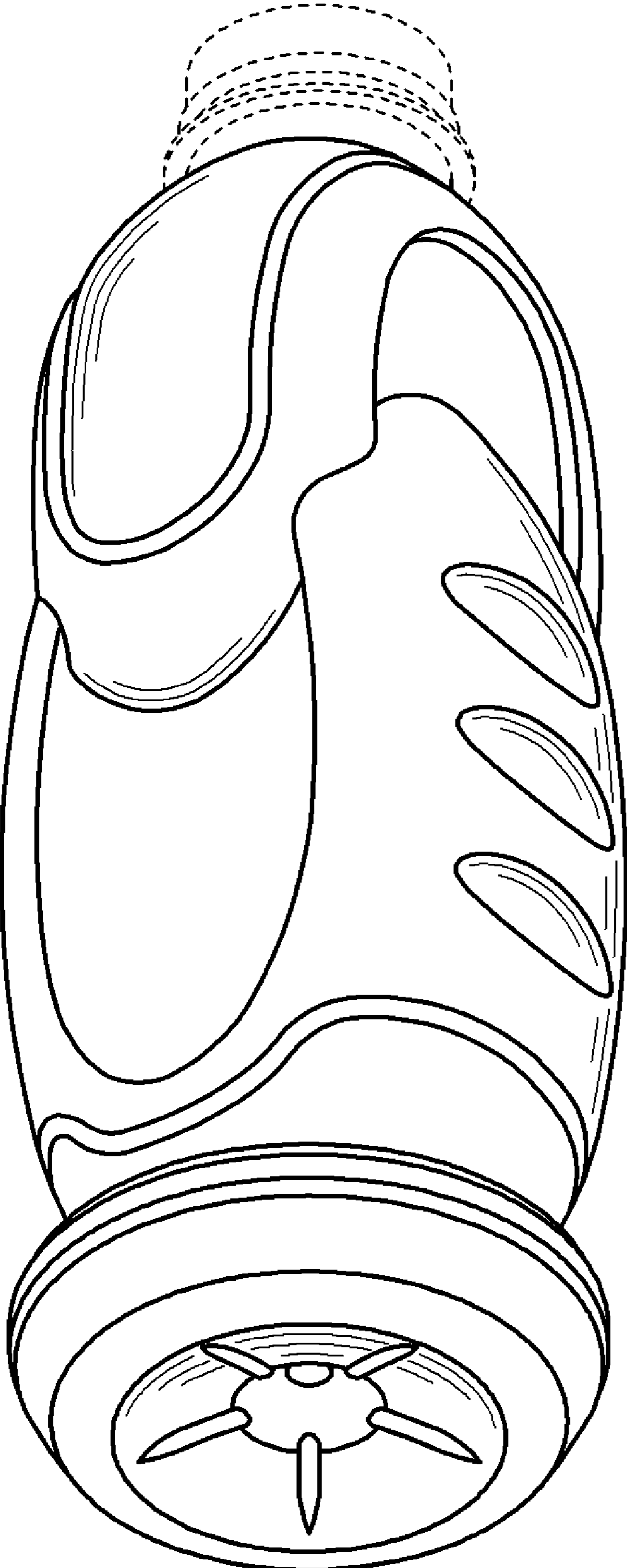


FIG.2

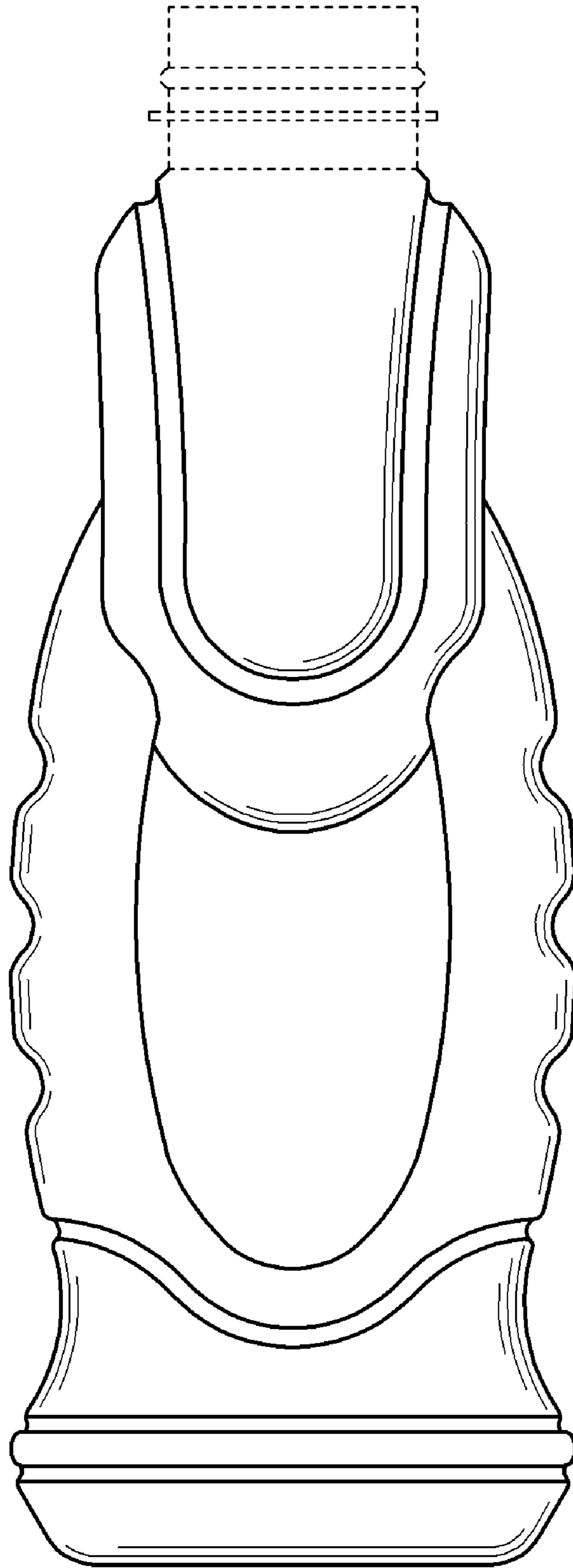


FIG.3

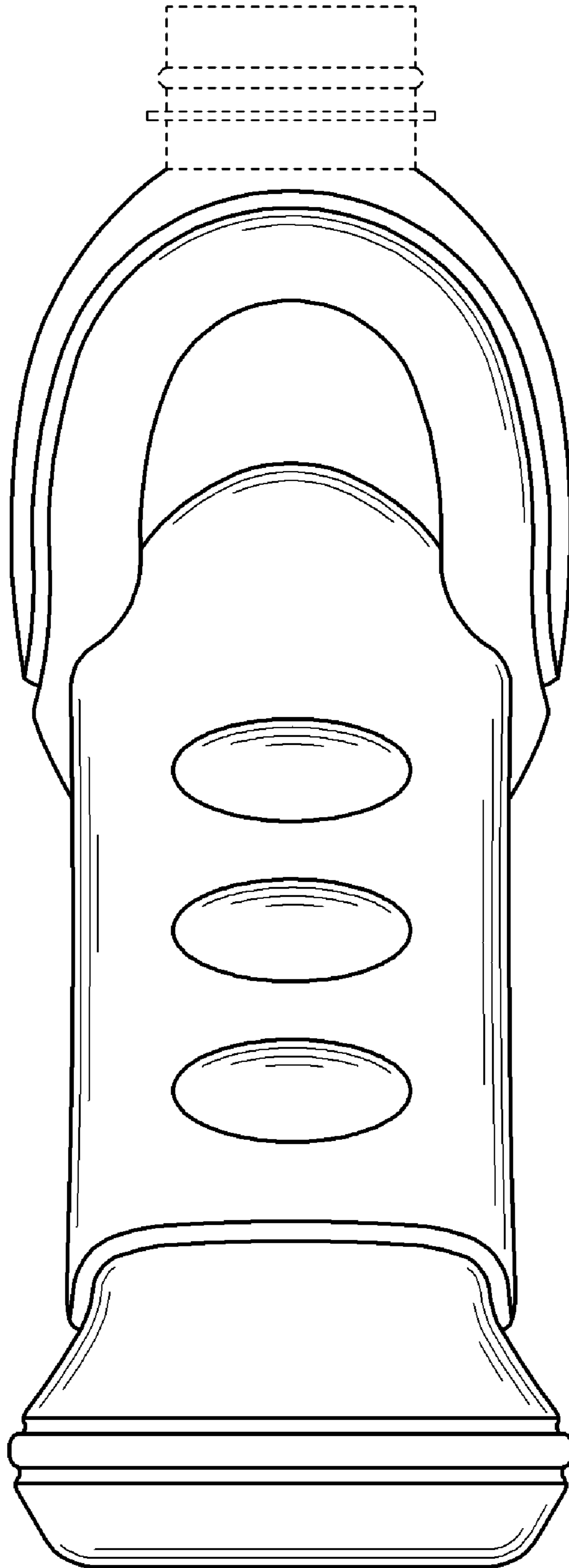


FIG.4

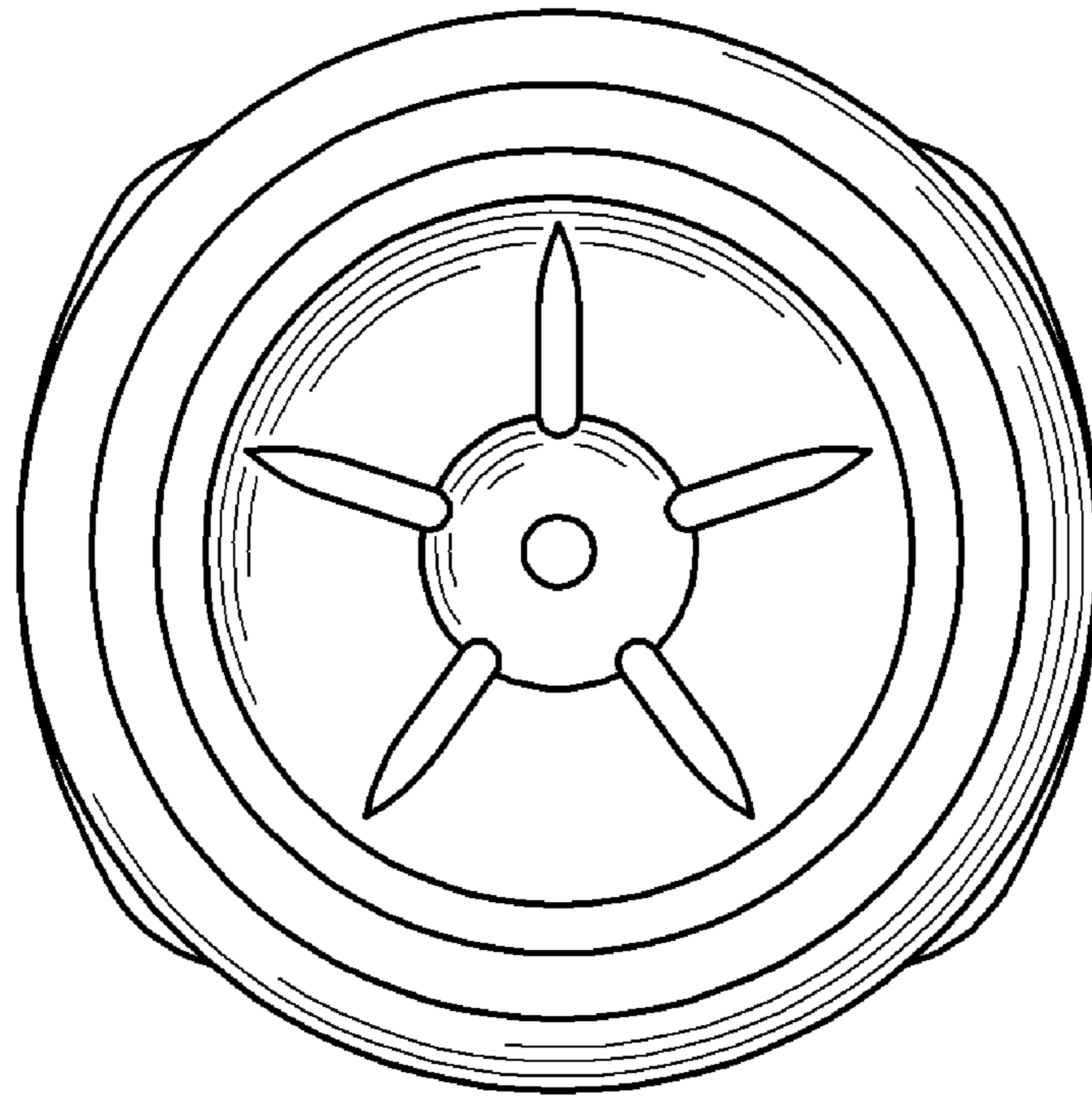


FIG. 5

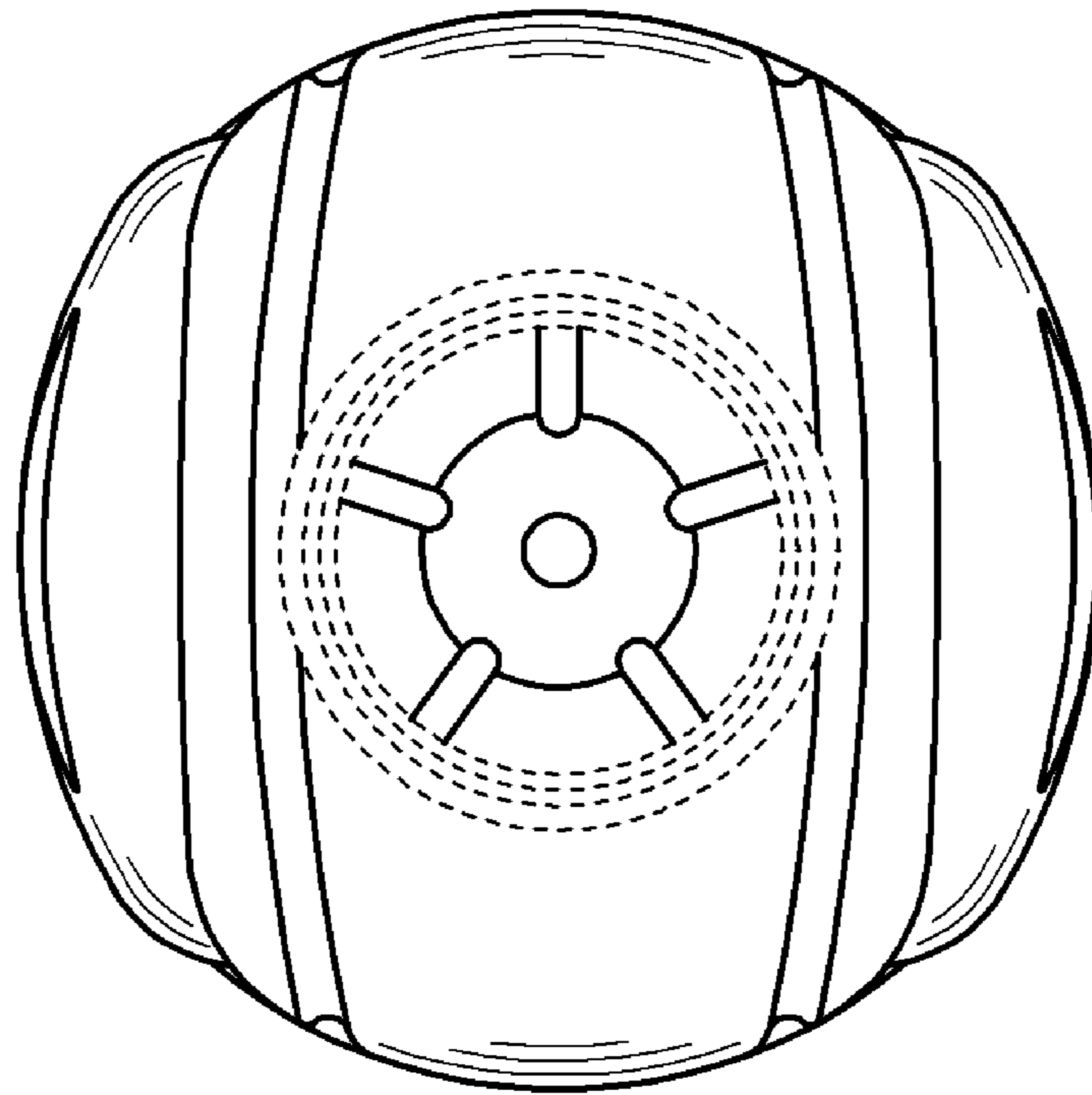


FIG. 6