

US00D547657S

(12) **United States Design Patent**
Tacchella

(10) **Patent No.:** **US D547,657 S**

(45) **Date of Patent:** **** Jul. 31, 2007**

(54) **CLOSURE FOR CONTAINERS**

(75) Inventor: **Andrea Tacchella**, Castellazzo Bormida (IT)

(73) Assignee: **Guala Pack S.p.A.**, Castellazzo Bormida (IT)

(**) Term: **14 Years**

(21) Appl. No.: **29/245,791**

(22) Filed: **Dec. 29, 2005**

(30) **Foreign Application Priority Data**

Dec. 16, 2005 (IT) BS2005O0058

(51) **LOC (8) Cl.** **09-07**

(52) **U.S. Cl.** **D9/454**

(58) **Field of Classification Search** D9/708, D9/705, 558, 520, 499, 447, 445, 440, 439, D9/435; D18/43; 222/95, 92, 88, 23, 105; 215/41, 40, 381, 375, 373; D3/202; D7/387, D7/397, 412, 415

See application file for complete search history.

(56) **References Cited**

U.S. PATENT DOCUMENTS

D199,440 S * 10/1964 Jones et al. D19/62

D316,969 S * 5/1991 Wiseman et al. D9/552

D467,501 S * 12/2002 Tacchella D9/451

D529,382 S * 10/2006 Mineau D9/448

D531,503 S * 11/2006 Beaver et al. D9/445

* cited by examiner

Primary Examiner—Robert M. Spear

Assistant Examiner—Susan Bennett Hattan

(74) *Attorney, Agent, or Firm*—Shoemaker and Mattare

(57) **CLAIM**

The ornamental design for a closure for containers, as shown and described.

DESCRIPTION

FIG. 1 is a perspective view of a closure for containers, showing my new design from above and the front;

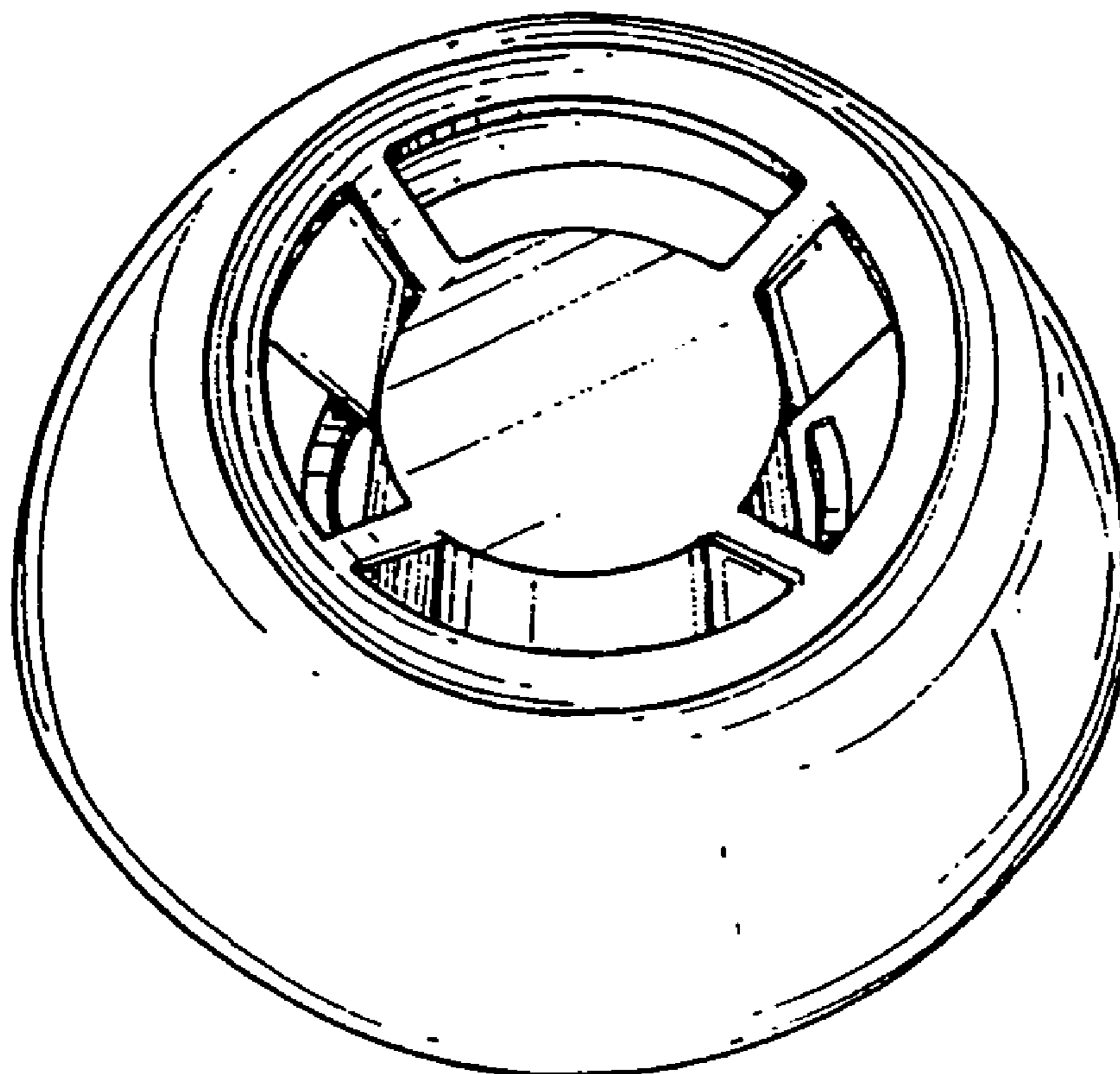
FIG. 2 is a perspective view thereof, showing the design from the rear and below;

FIG. 3 is a side elevational view thereof;

FIG. 4 is a top plan view thereof; and,

FIG. 5 is a bottom plan view thereof.

1 Claim, 2 Drawing Sheets



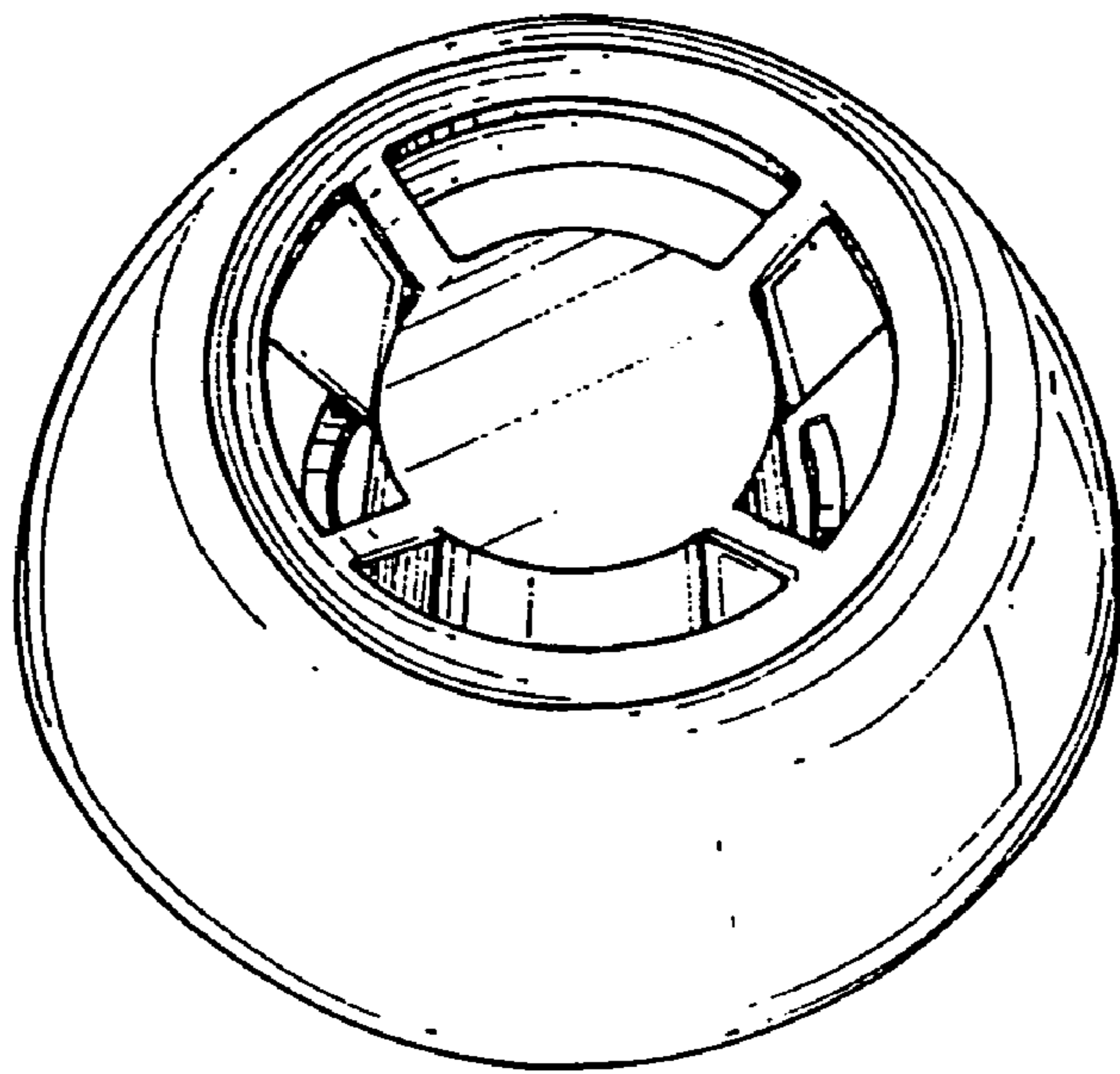


Fig. 1

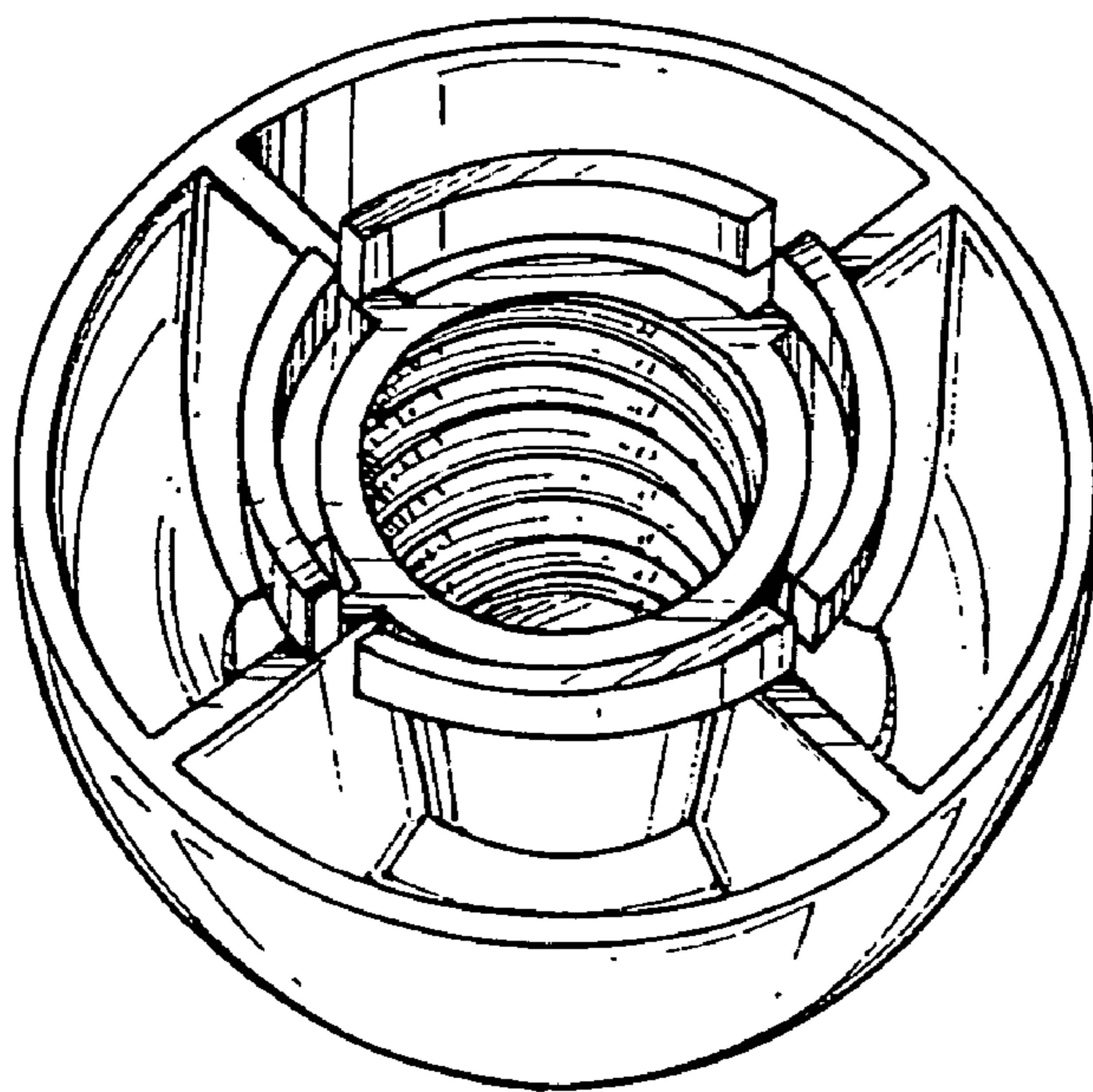


Fig. 2

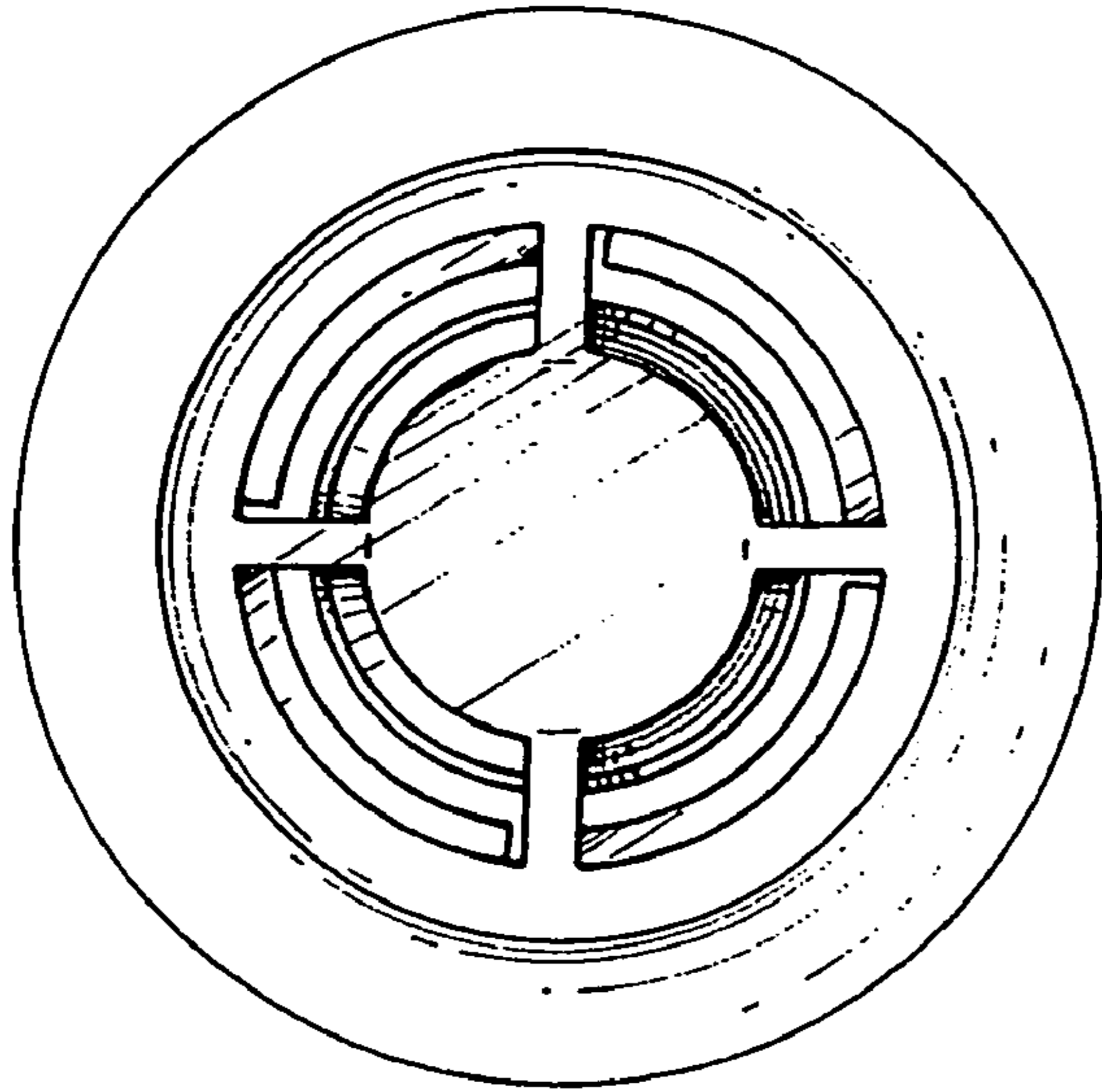


Fig. 4

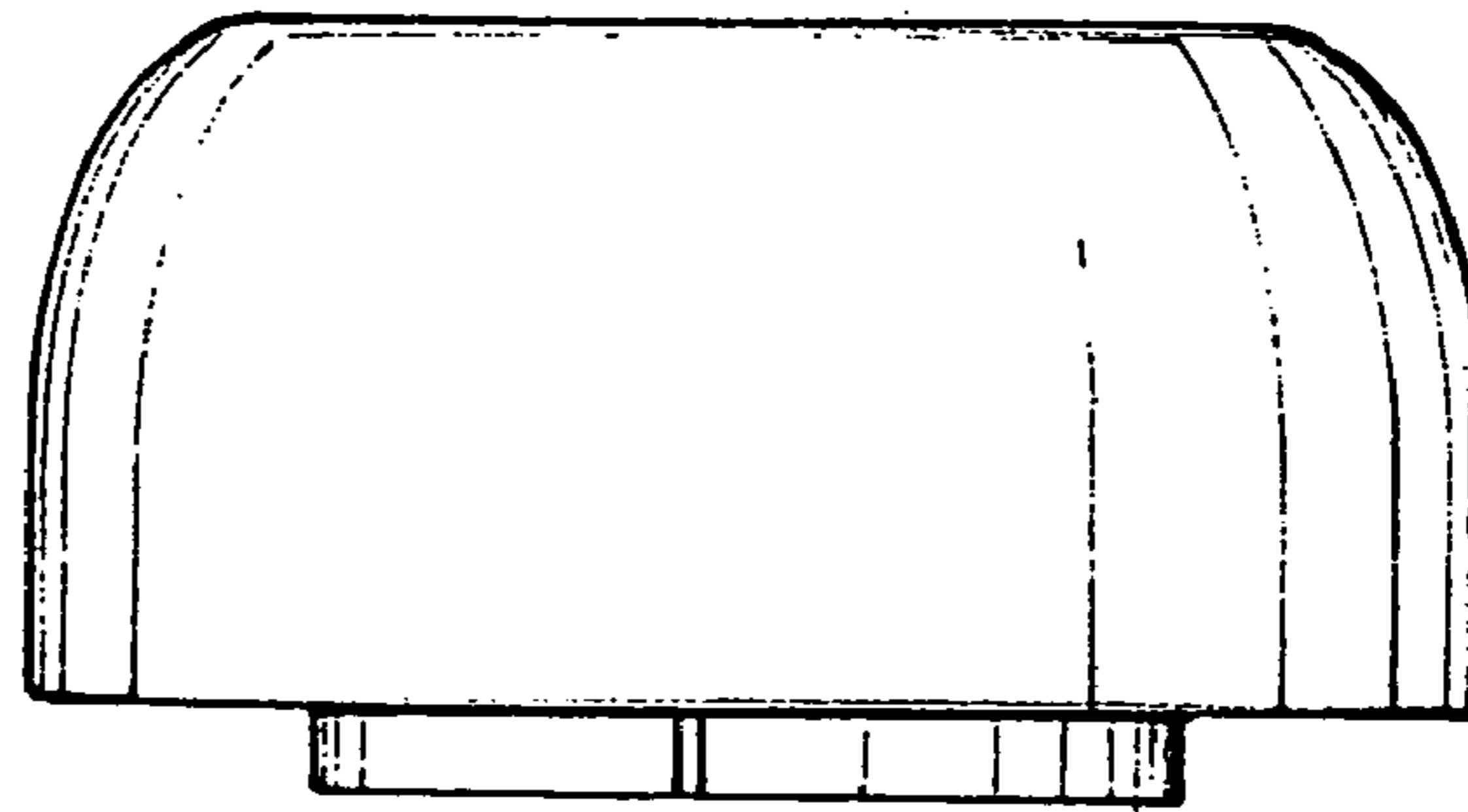


Fig. 3

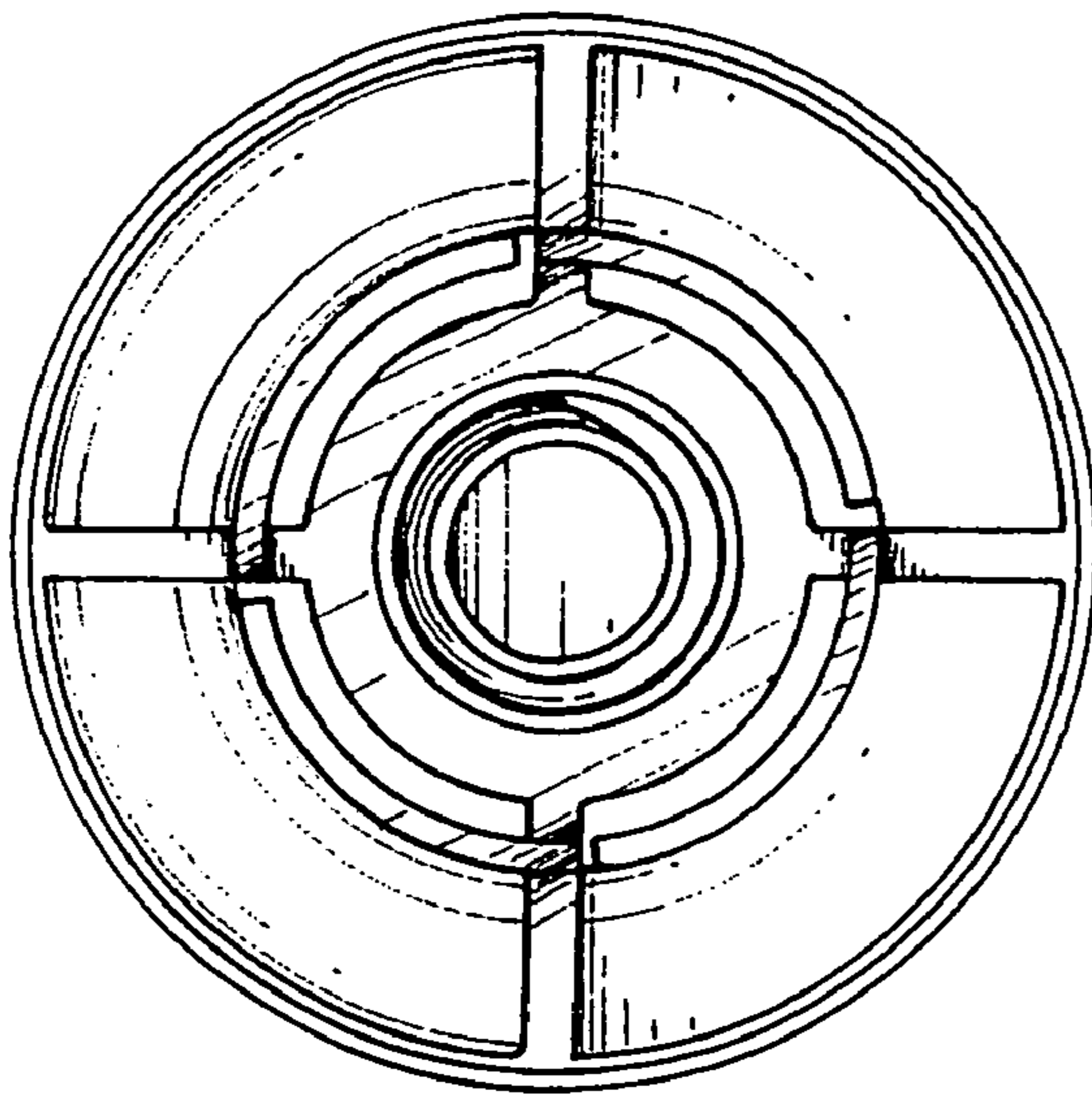


Fig. 5