



US00D547653S

(12) **United States Design Patent**  
**Wong**

(10) **Patent No.:** **US D547,653 S**

(45) **Date of Patent:** **\*\* Jul. 31, 2007**

(54) **CUP HOLDER SLEEVE**

D524,118 S \* 7/2006 Gregorczyk ..... D7/624.2

(75) Inventor: **Joseph Cheuk Mau Wong**, Daly City, CA (US)

\* cited by examiner

*Primary Examiner*—Robert M. Spear  
*Assistant Examiner*—Susan Bennett Hattan

(73) Assignee: **Double Team Inc.**, Daly City, CA (US)

(\*\*) Term: **14 Years**

(57) **CLAIM**

(21) Appl. No.: **29/249,306**

The ornamental design for a cup holder sleeve, substantially as shown and described.

(22) Filed: **Sep. 29, 2006**

**DESCRIPTION**

(51) **LOC (8) Cl.** ..... **09-07**

(52) **U.S. Cl.** ..... **D9/444**

(58) **Field of Classification Search** ..... D9/711,  
D9/702, 499, 444, 434, 457, 713, 703, 704,  
D9/710; D7/624.2, 624.1; 220/15, 903,  
220/738, 739; D5/99, 16; 224/904; D20/22,  
D20/27, 40

FIG. 1 is a top perspective view of the cup holder sleeve in an assembled configuration showing one embodiment of my new design;

FIG. 2 is a front elevational view thereof when it is folded along line A—A, the back view is a mirror image thereof;

FIG. 3 is a front elevational view thereof in an unassembled and unfolded configuration, the back view is a mirror image thereof;

See application file for complete search history.

FIG. 4 is a top perspective view thereof surrounding a cup;

(56) **References Cited**

**U.S. PATENT DOCUMENTS**

19,874 A *	4/1858	Crocker	.....	222/243
D290,025 S *	5/1987	Cole	.....	D20/27
D319,176 S *	8/1991	Sherman	.....	D9/710
5,205,473 A	4/1993	Coffin, Sr.		
5,222,656 A *	6/1993	Carlson	.....	229/403
5,385,260 A *	1/1995	Gatcomb	.....	229/400
5,425,497 A	6/1995	Sorensen		
5,826,786 A	10/1998	Dickert		
D401,122 S *	11/1998	Rench et al.	.....	D7/624.2
6,152,363 A *	11/2000	Rule, Jr.	.....	229/403
6,158,612 A *	12/2000	Alpert	.....	220/739
6,277,454 B1 *	8/2001	Neale et al.	.....	428/34.2
6,286,754 B1	9/2001	Stier et al.		
D463,265 S *	9/2002	Jones	.....	D9/710
D466,005 S *	11/2002	Gates	.....	D9/710
D466,800 S *	12/2002	Jones	.....	D9/710

FIG. 5 is a top perspective view of the cup holder sleeve in an assembled configuration showing another embodiment of my new design;

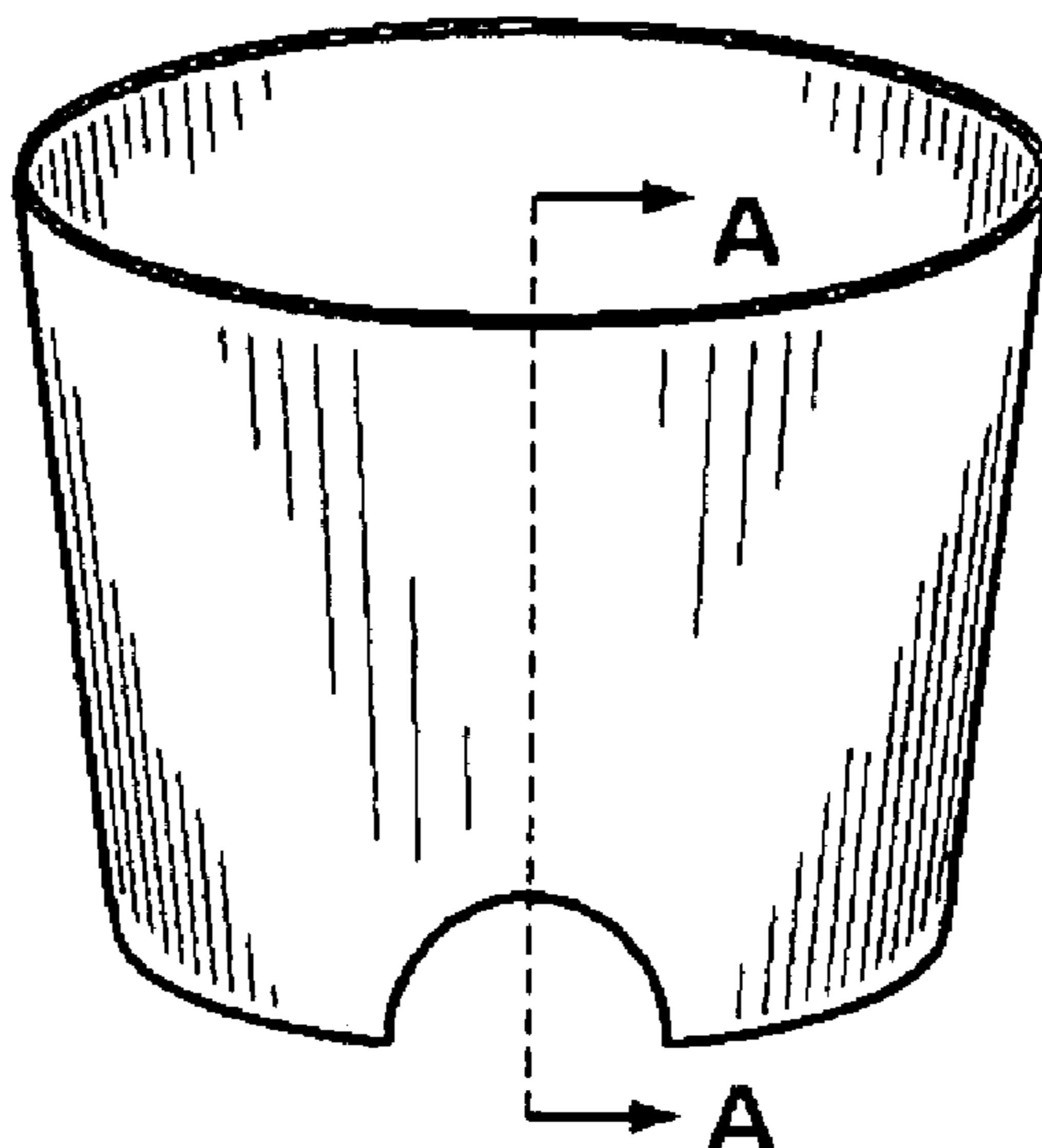
FIG. 6 is a front elevational view thereof when the cup holder sleeve is folded along line B—B, the back view is a mirror image thereof;

FIG. 7 is a front elevational view thereof in an unassembled and unfolded configuration, the back view is a mirror image thereof; and,

FIG. 8 is a top perspective view thereof surrounding a cup.

The broken line showing a cup in FIGS. 4 and 7 is included for the purpose of illustrating environment and forms no part of the claimed design.

**1 Claim, 2 Drawing Sheets**



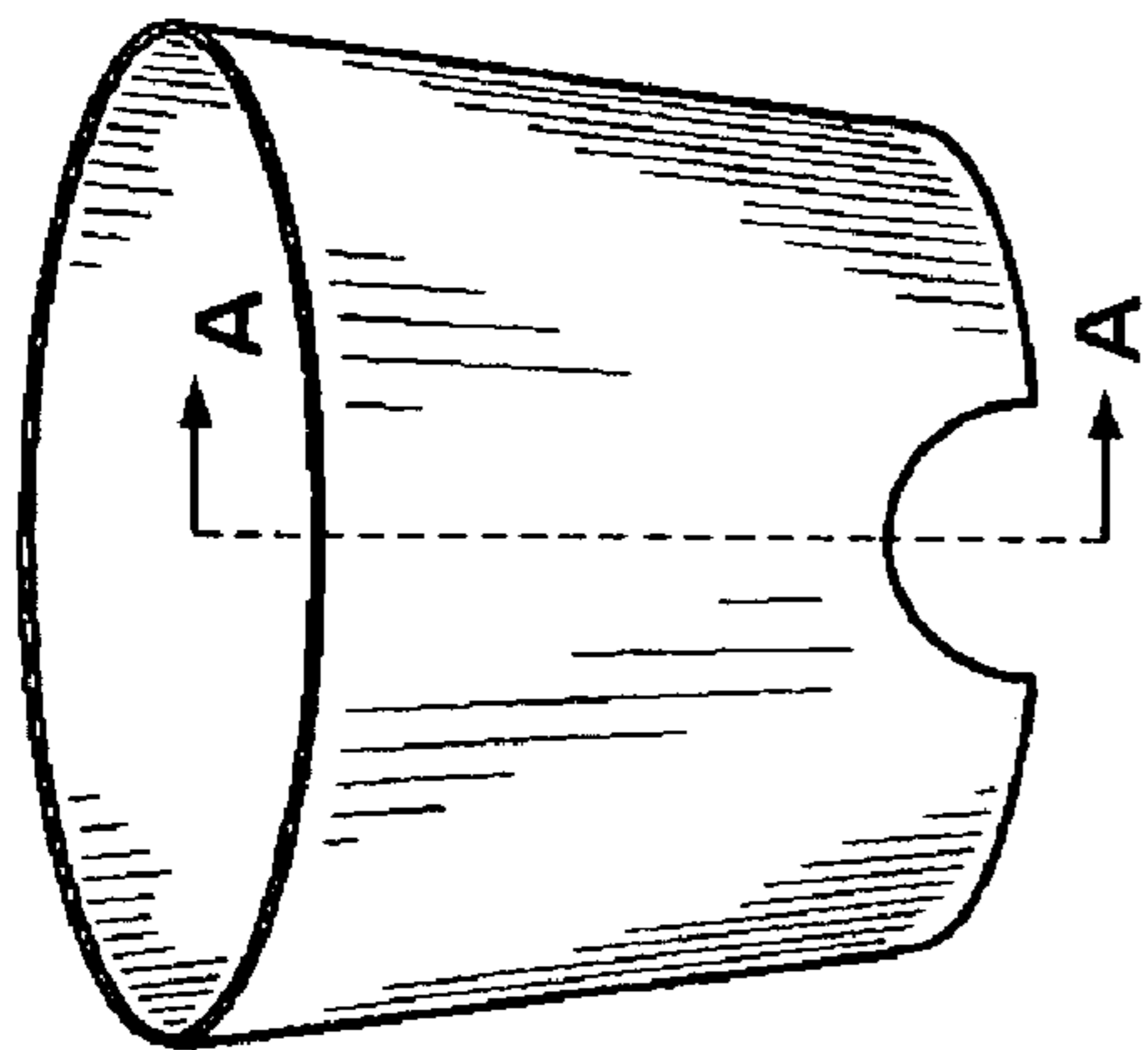


FIG. 1

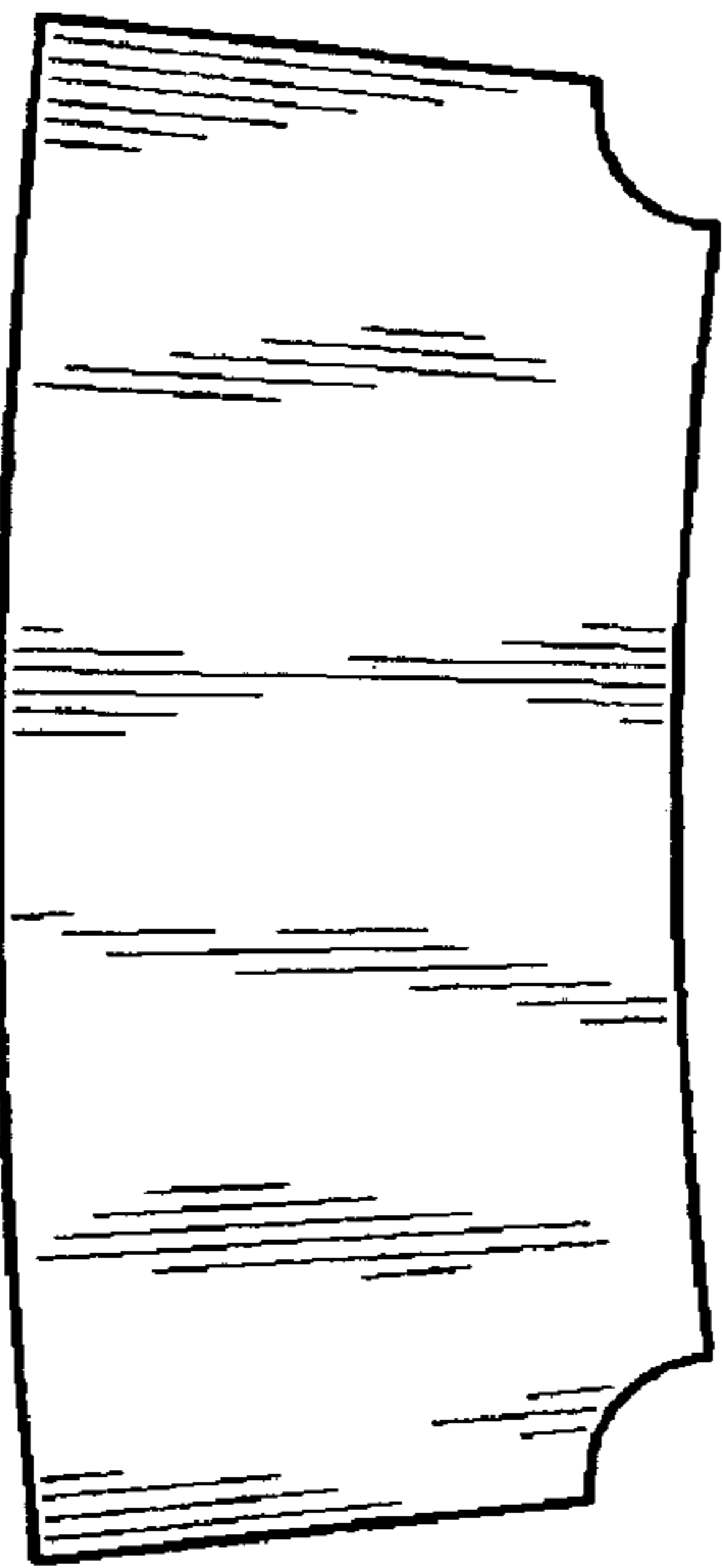


FIG. 2

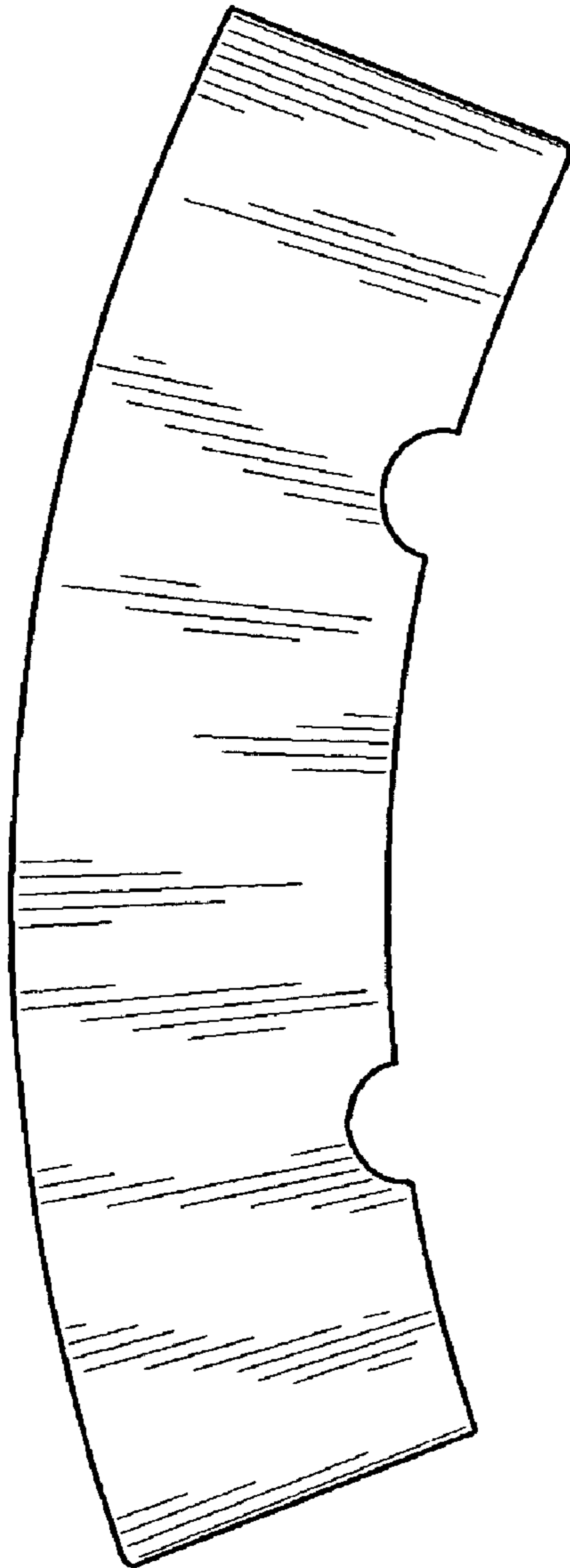


FIG. 3

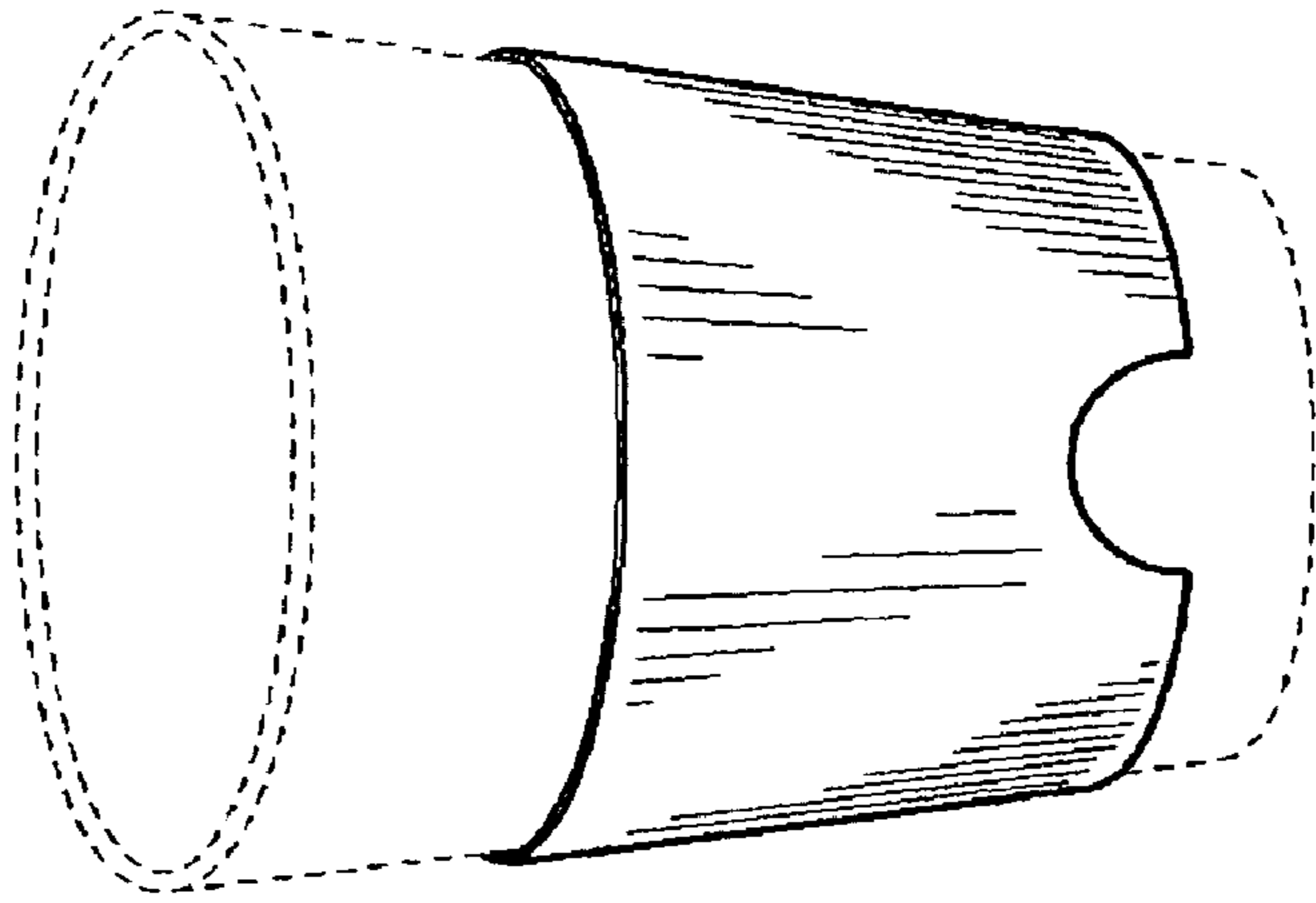


FIG. 4

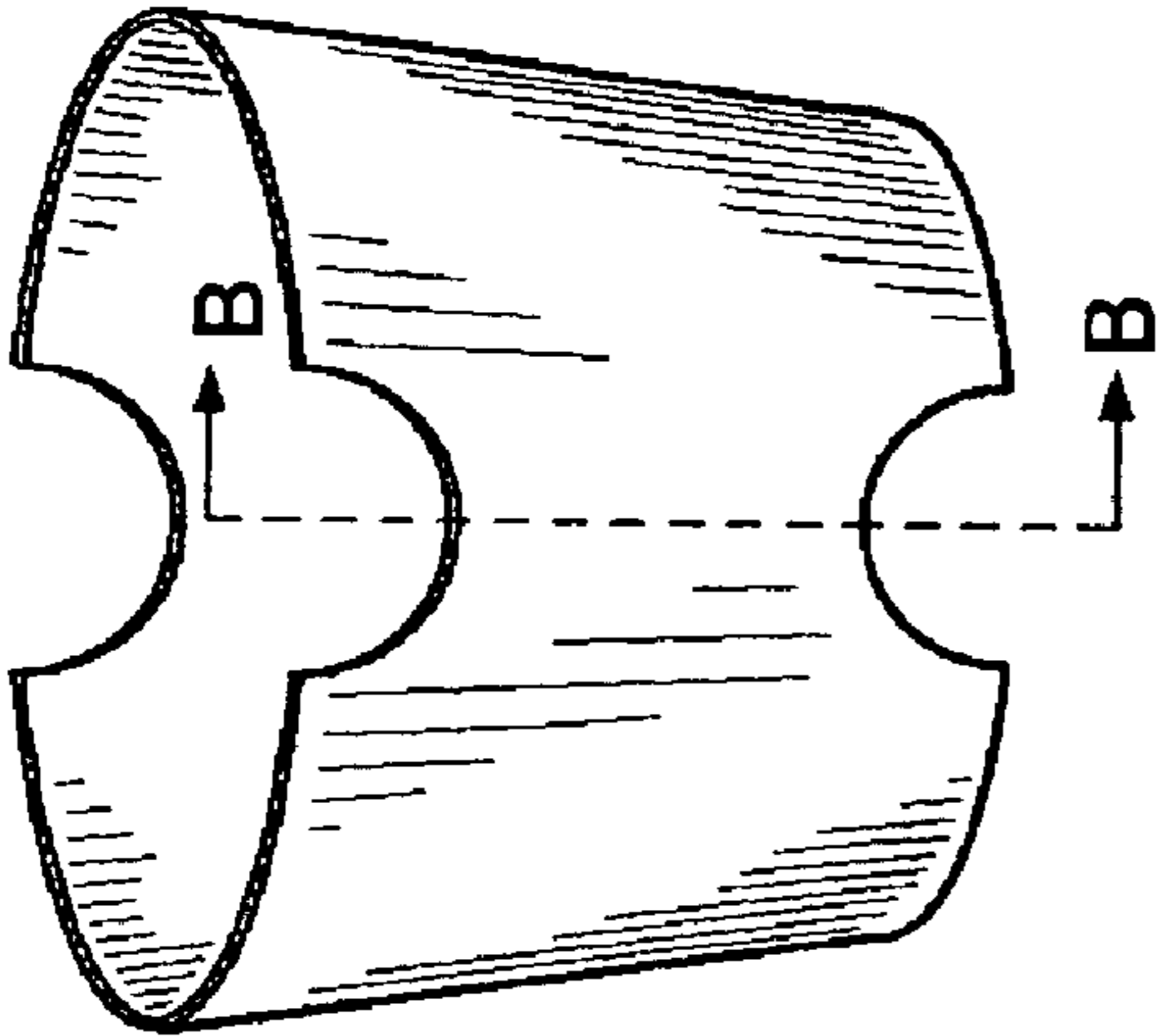


FIG. 5

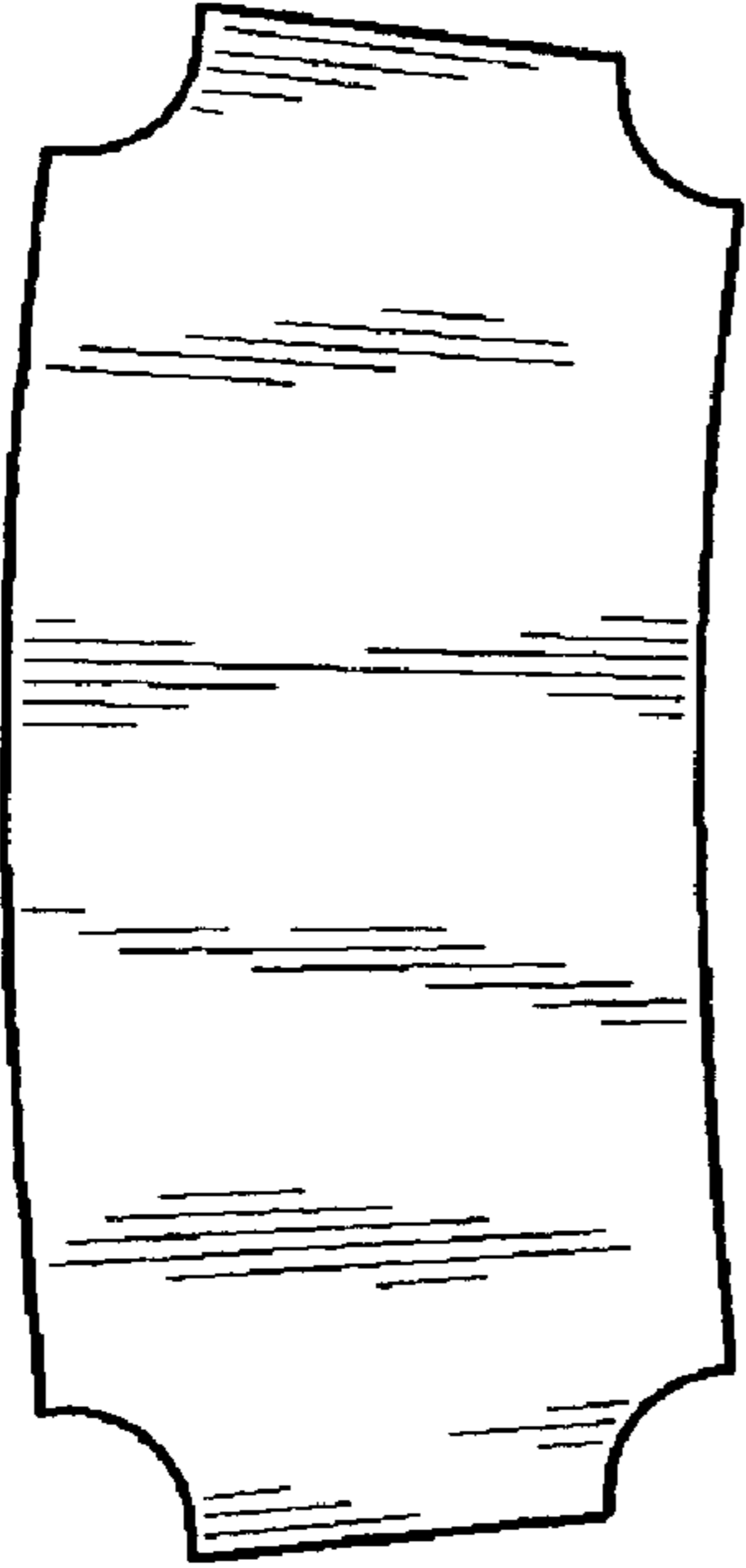


FIG. 6

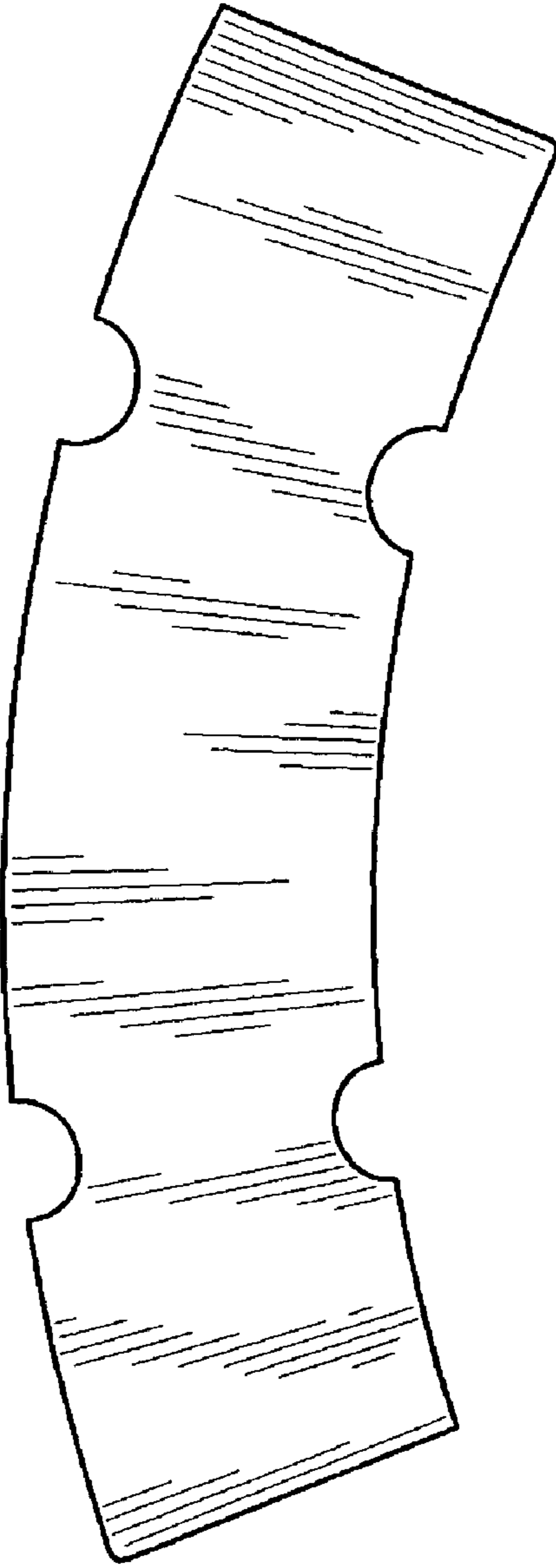


FIG. 7

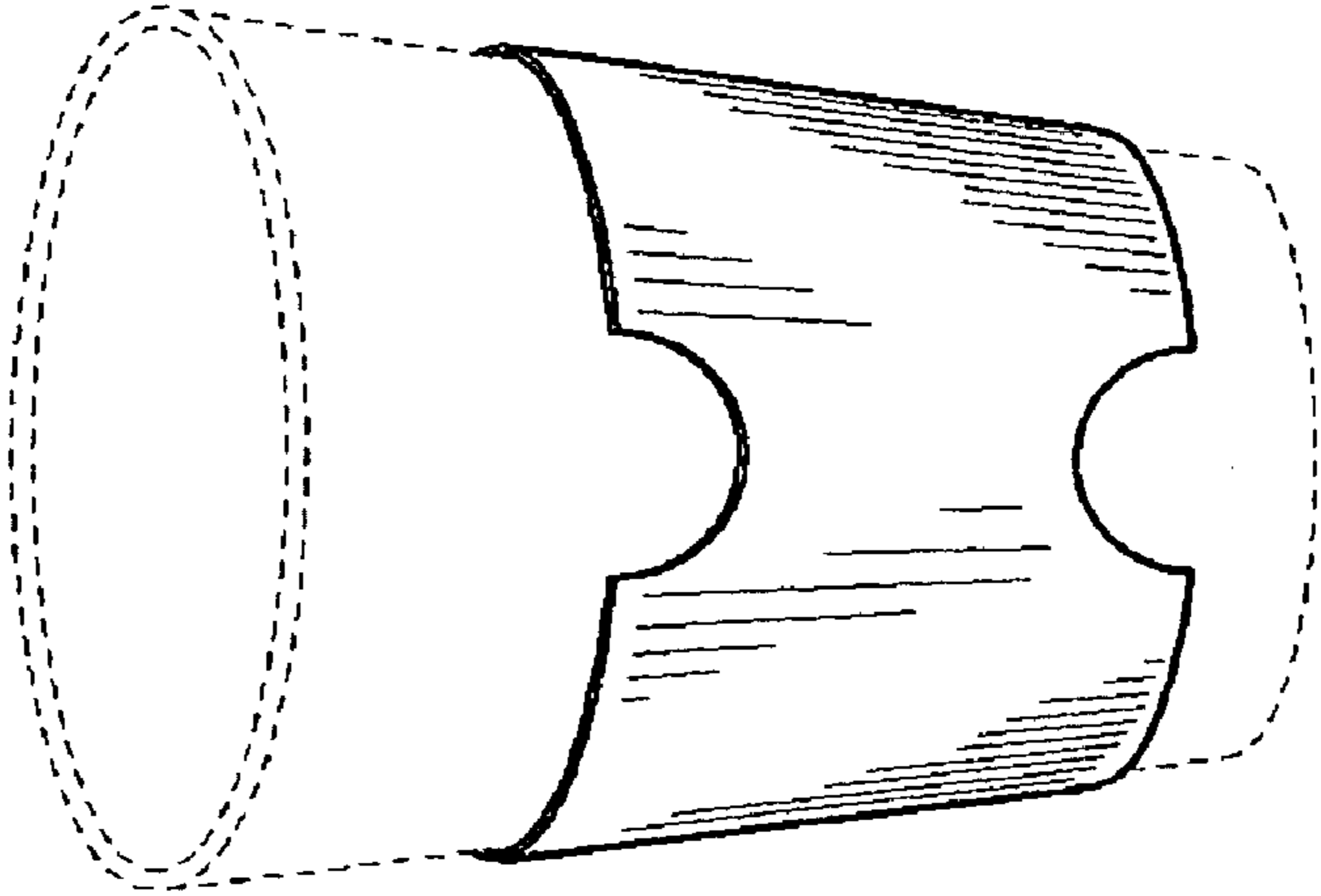


FIG. 8