



US00D547652S

(12) **United States Design Patent**
Kerman et al.

(10) **Patent No.:** **US D547,652 S**

(45) **Date of Patent:** **** Jul. 31, 2007**

(54) **CAP**

(75) Inventors: **Eric Kerman**, Chalons en Champagne (FR); **Eric Catalogna**, Bar le Duc (FR)

(73) Assignee: **Cebal SAS** (FR)

(**) Term: **14 Years**

(21) Appl. No.: **29/261,997**

(22) Filed: **Jun. 23, 2006**

(51) **LOC (8) Cl.** **09-07**

(52) **U.S. Cl.** **D9/438; D9/454**

(58) **Field of Classification Search** D9/529,
D9/504, 454, 452, 451, 445, 439, 438, 435,
D9/449, 447; D24/224, 221; 220/288, 214;
215/901, 252, 336, 335, 256, 254, 250
See application file for complete search history.

(56) **References Cited**

U.S. PATENT DOCUMENTS

2,169,686	A *	8/1939	Fabrice	215/254
2,864,521	A *	12/1958	Kundert	215/252
4,066,182	A *	1/1978	Allen et al.	215/256
D248,376	S *	7/1978	Allen et al.	D9/454
4,387,818	A *	6/1983	Conti	215/256
4,691,834	A *	9/1987	Bullock, III	215/232
5,207,340	A *	5/1993	Cochrane	215/256
5,373,954	A *	12/1994	Julian	215/256
D381,906	S *	8/1997	Bartsch	D9/438
5,860,545	A *	1/1999	Bartsch	215/256
D410,843	S *	6/1999	Mogard	D9/438
5,971,183	A *	10/1999	Bartsch	215/256
6,341,707	B1 *	1/2002	Witt et al.	215/256
6,726,043	B2 *	4/2004	Lucas	215/254
D496,861	S *	10/2004	Lovell	D9/435
D520,873	S *	5/2006	Lovell	D9/449
D525,526	S *	7/2006	Abbott et al.	D9/449
D528,419	S *	9/2006	Robinson	D9/454
D536,974	S *	2/2007	Smith et al.	D9/449
D536,975	S *	2/2007	Smith et al.	D9/449

* cited by examiner

Primary Examiner—Robert M. Spear
Assistant Examiner—Susan Bennett Hattan
(74) *Attorney, Agent, or Firm*—Cantor Colburn LLP

(57) **CLAIM**

The ornamental design for a cap, as shown and described.

DESCRIPTION

FIG. 1 is a perspective view of a first embodiment showing my new cap;

FIG. 2 is a front elevation view thereof;

FIG. 3 is a side elevation view thereof taken from the left of FIG. 2;

FIG. 4 is a side elevation view thereof taken from the right of FIG. 2;

FIG. 5 is a top plan view thereof;

FIG. 6 is a perspective view of a second embodiment showing my new cap;

FIG. 7 is a front elevation view thereof;

FIG. 8 is a side elevation view thereof taken from the left of FIG. 7;

FIG. 9 is a side elevation view thereof taken from the right of FIG. 7;

FIG. 10 is a top plan view thereof;

FIG. 11 is a perspective view of a third embodiment showing my new cap;

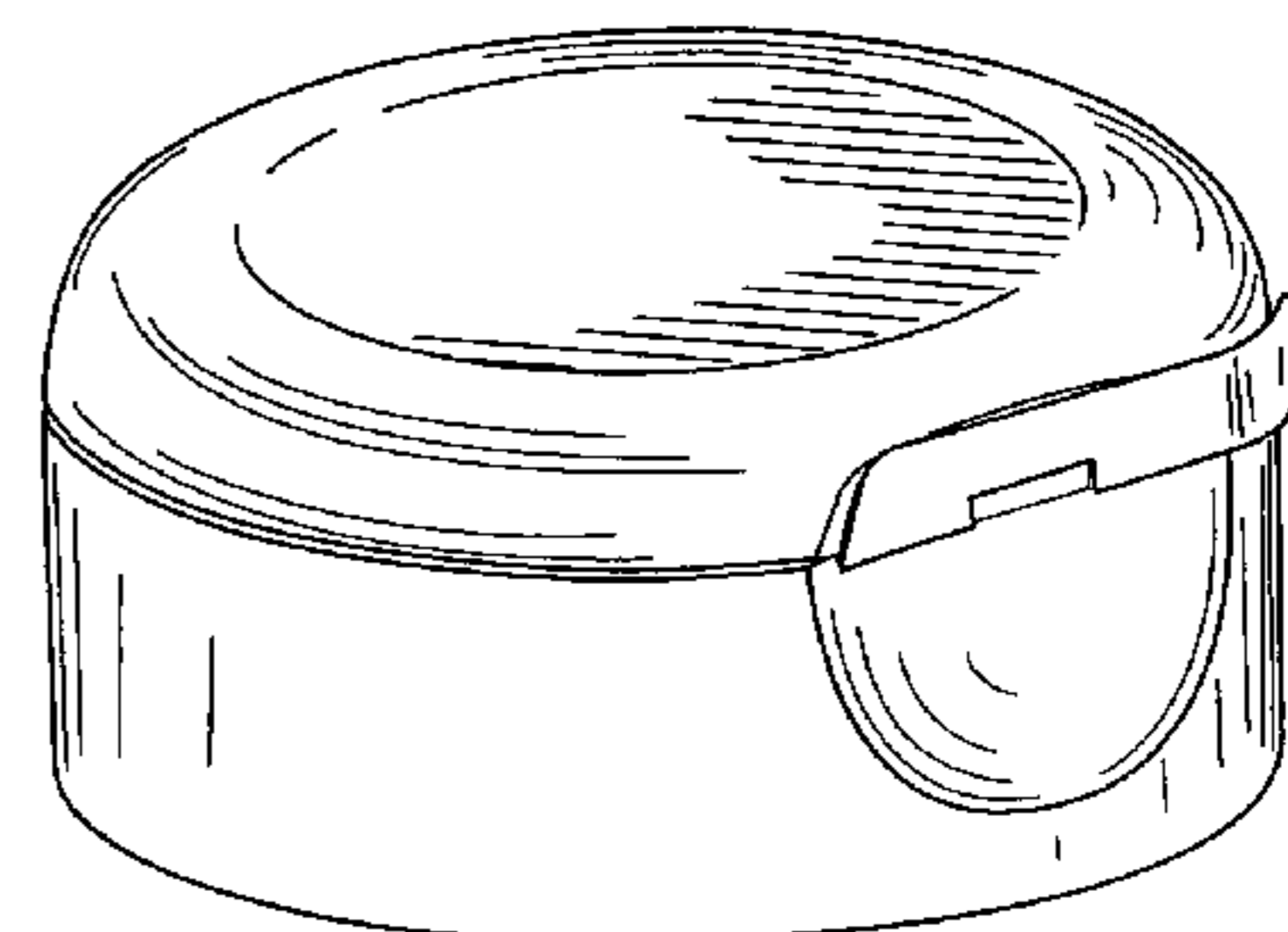
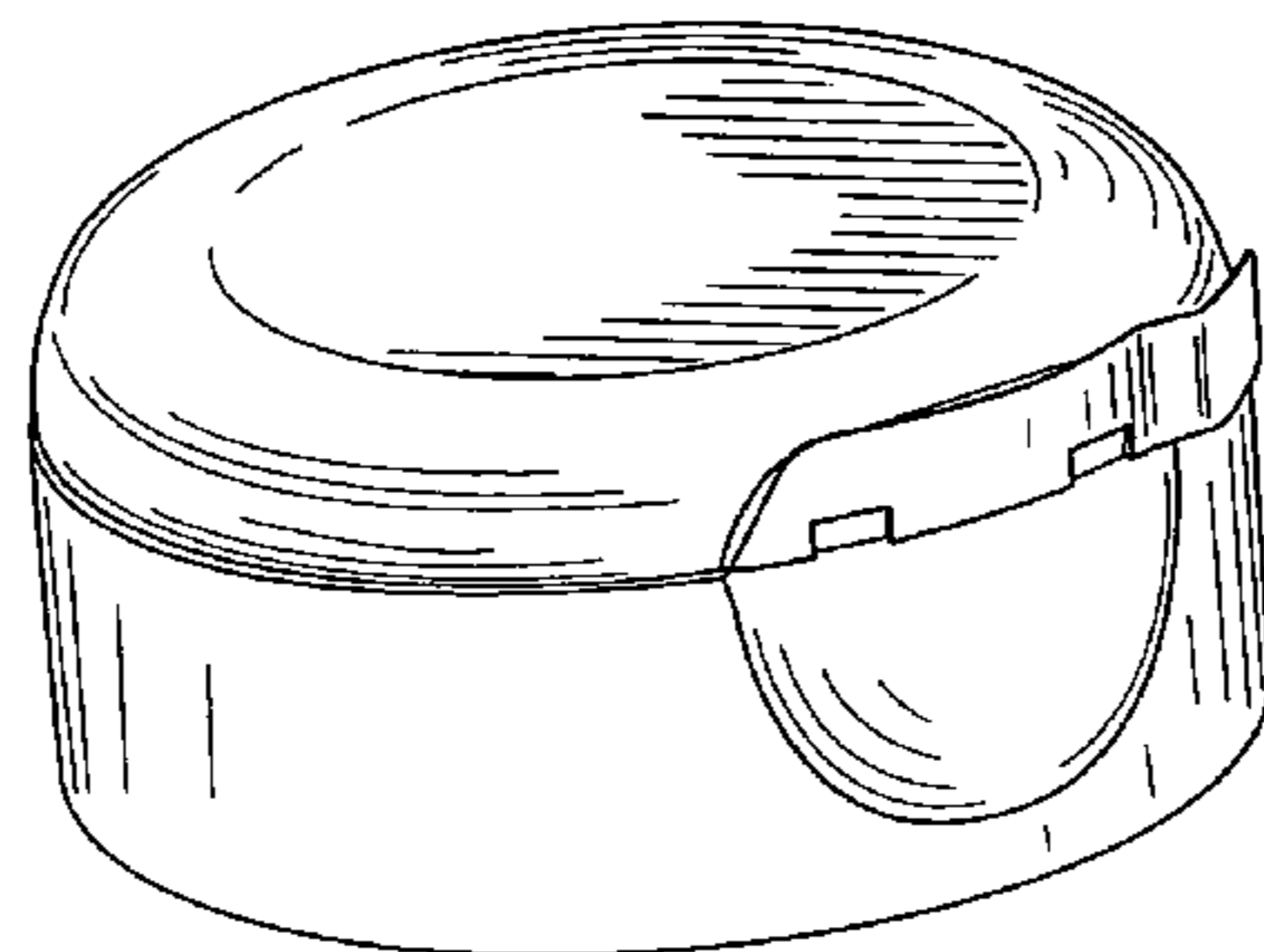
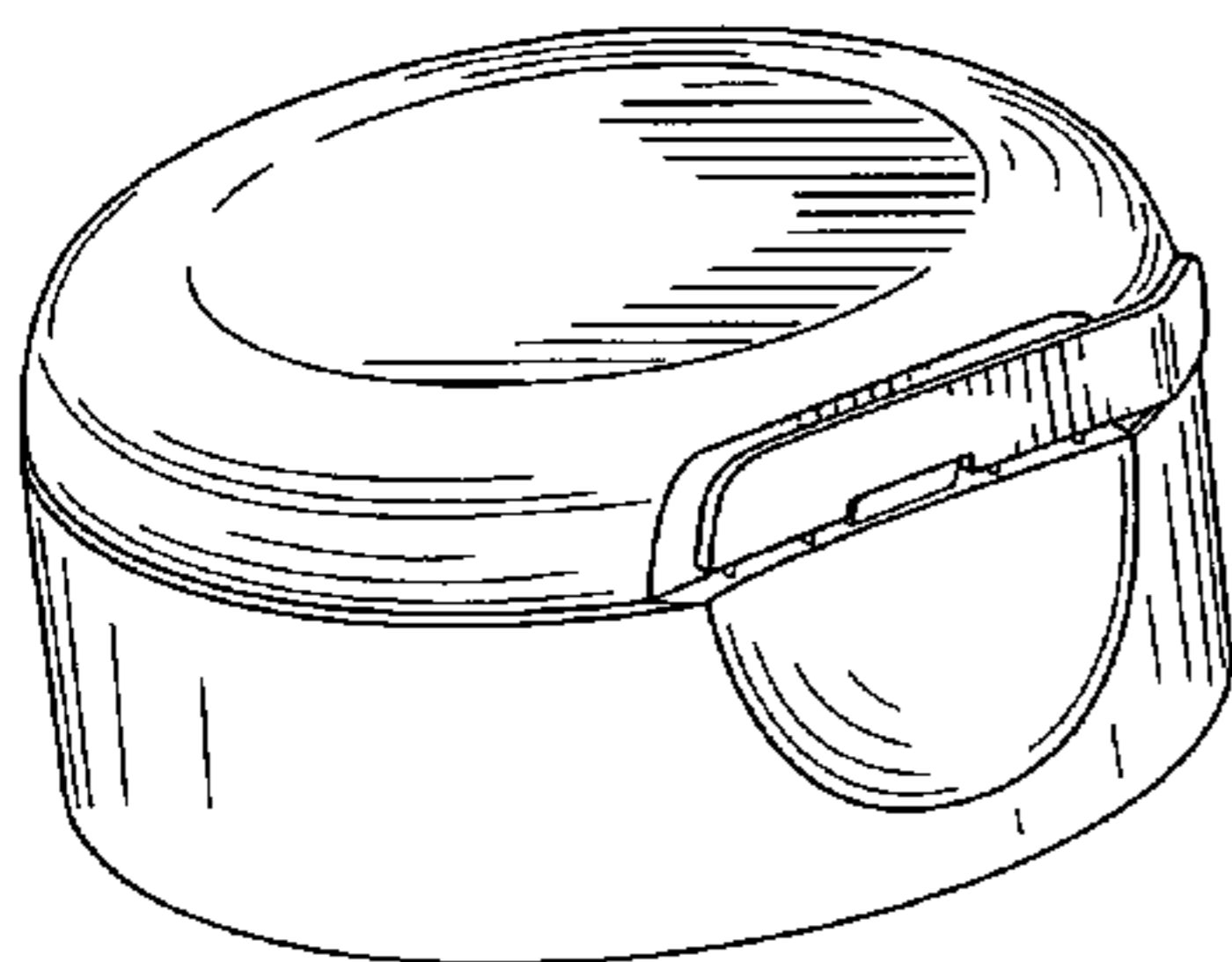
FIG. 12 is a front elevation view thereof;

FIG. 13 is a side elevation view thereof taken from the left of FIG. 12;

FIG. 14 is a side elevation view thereof taken from the right of FIG. 12; and,

FIG. 15 is a top plan view thereof.

1 Claim, 6 Drawing Sheets



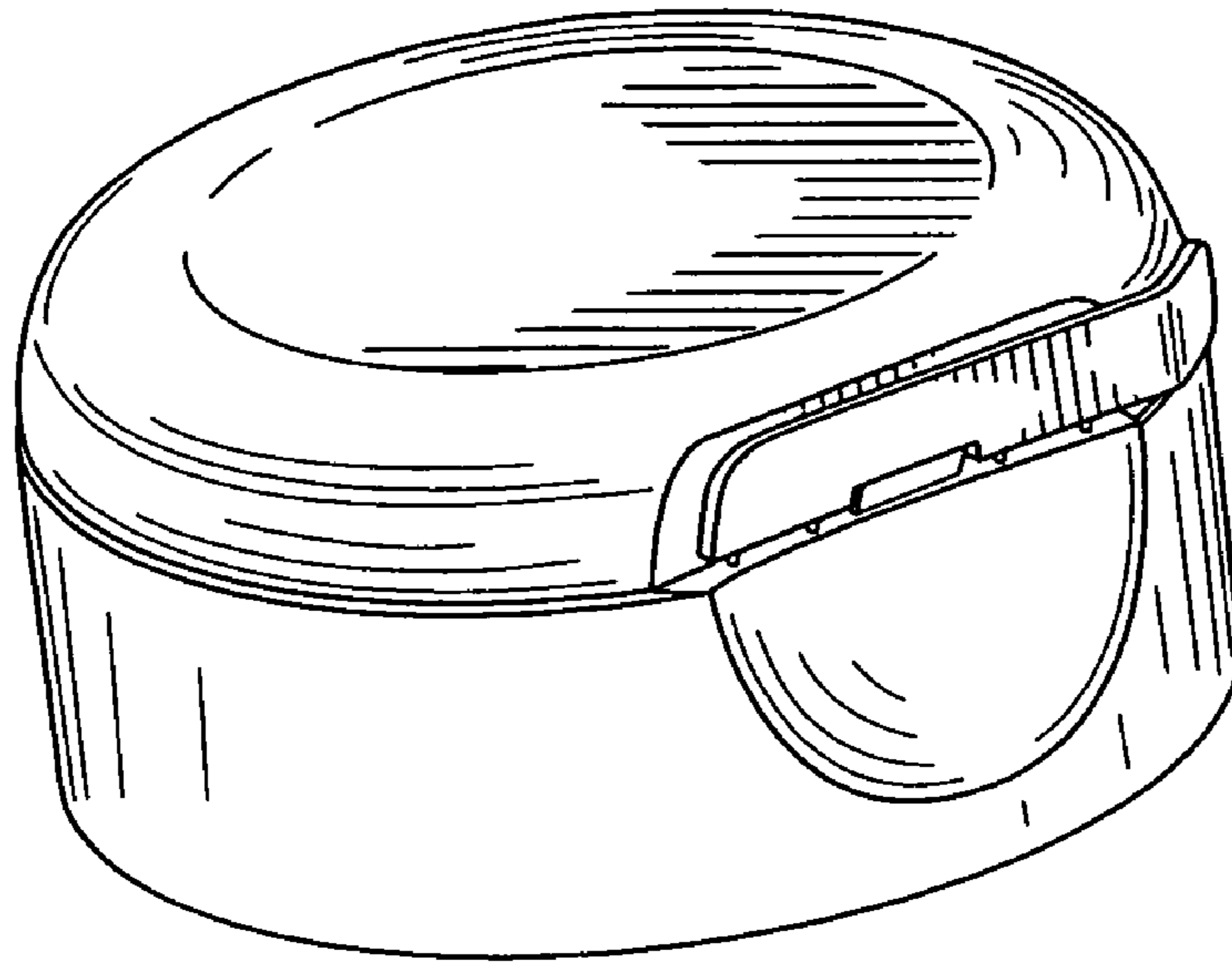


FIG. 1

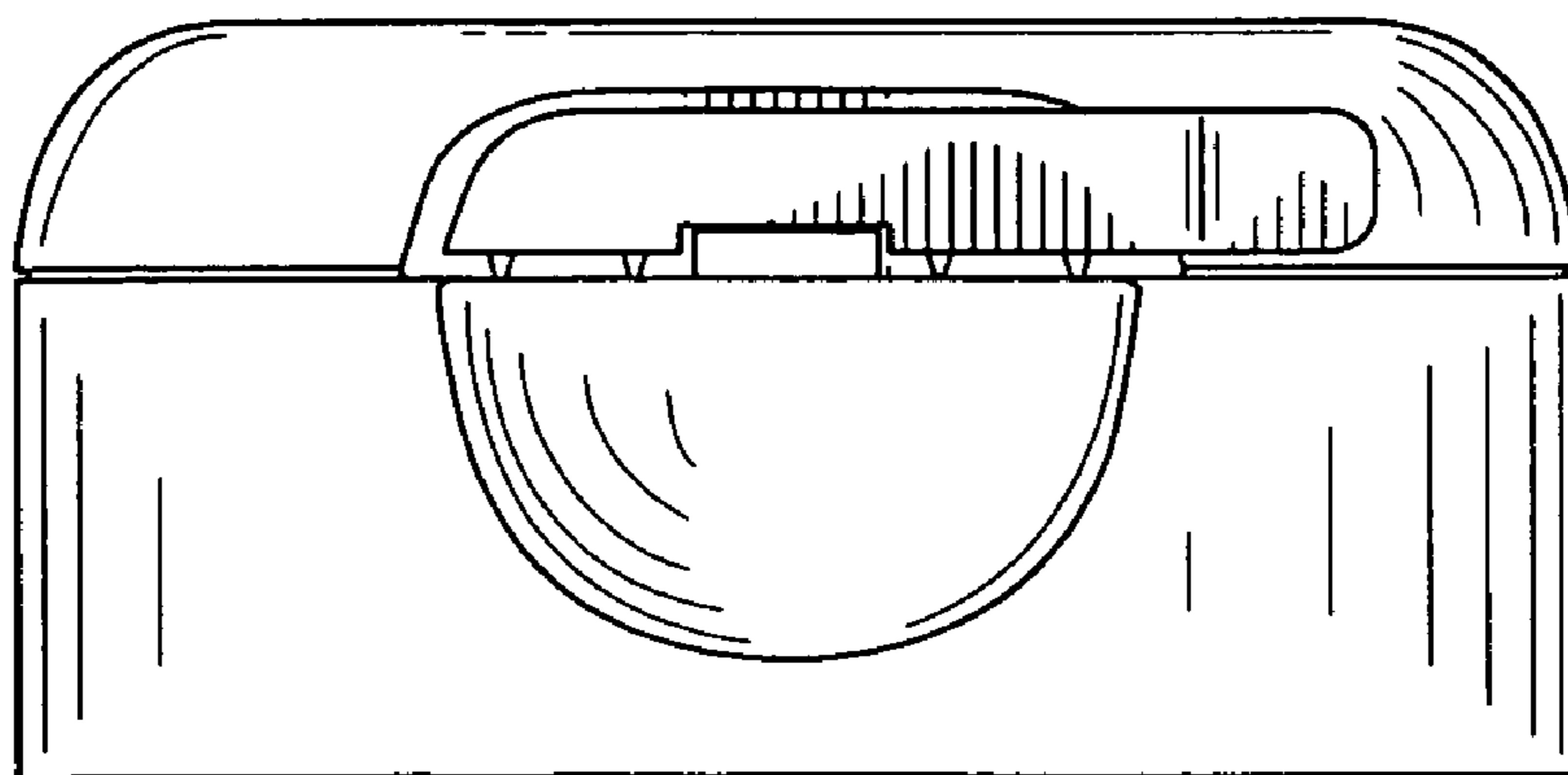


FIG. 2

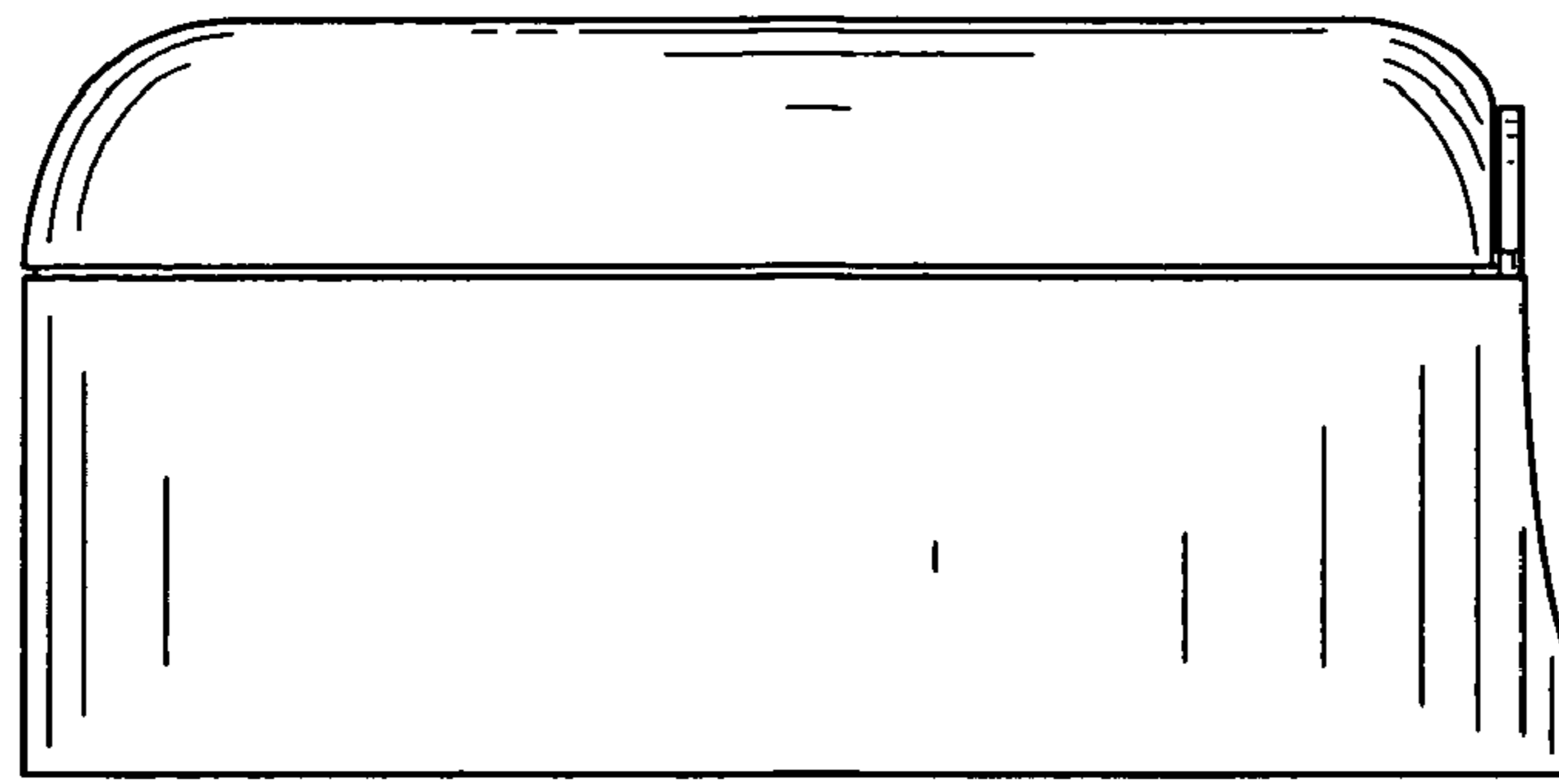


FIG. 3

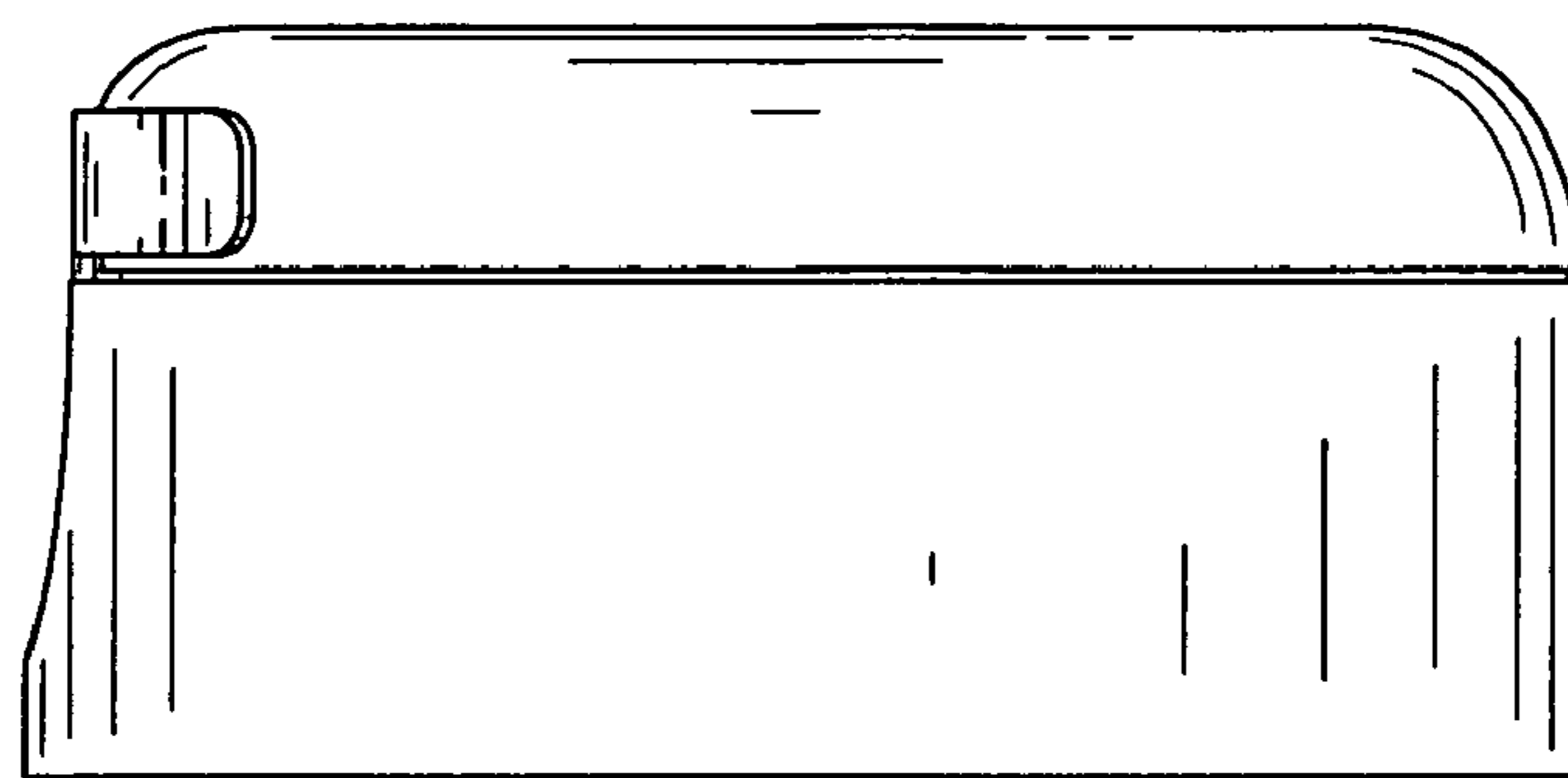


FIG. 4

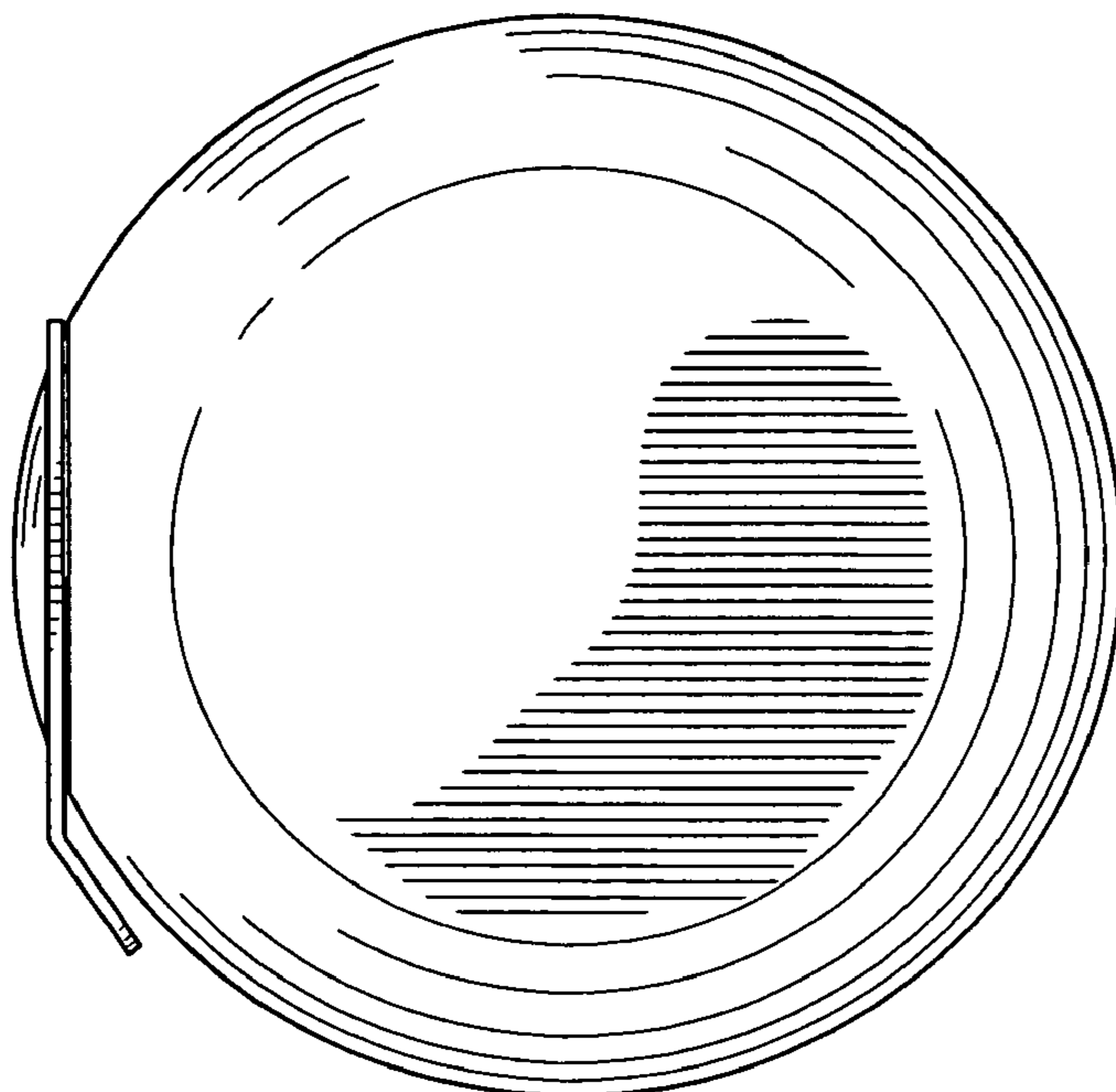


FIG. 5

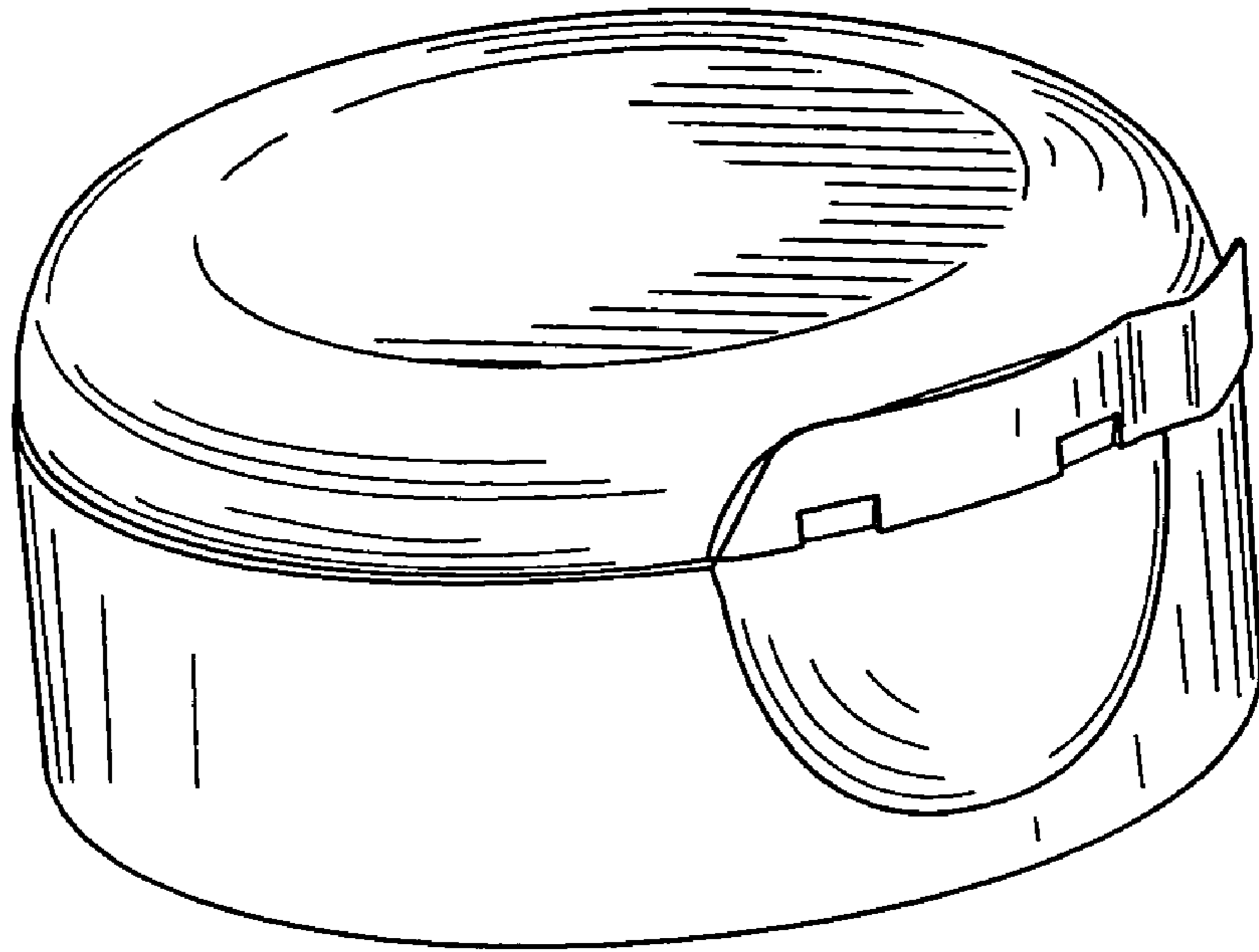


FIG. 6

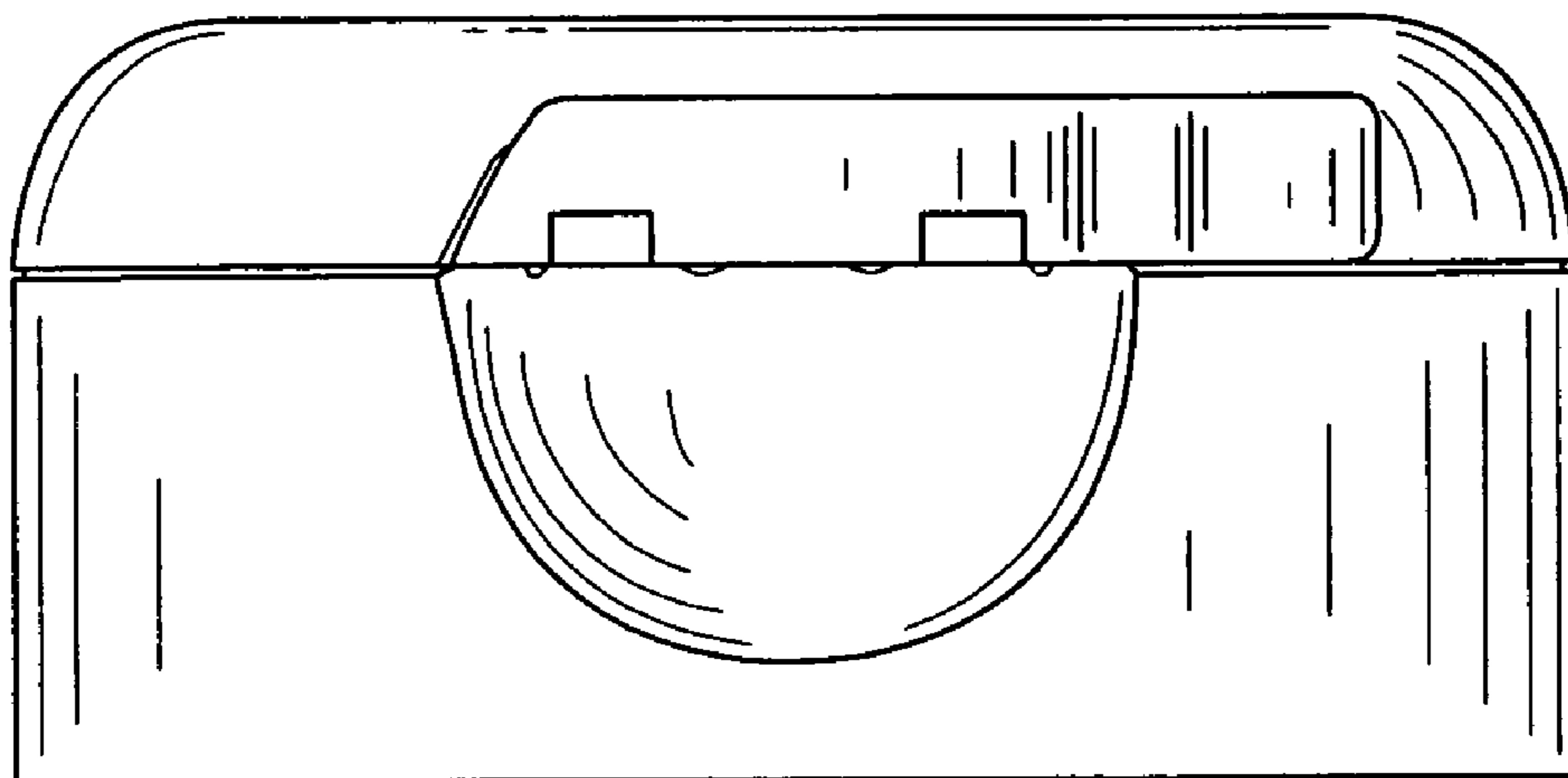


FIG. 7

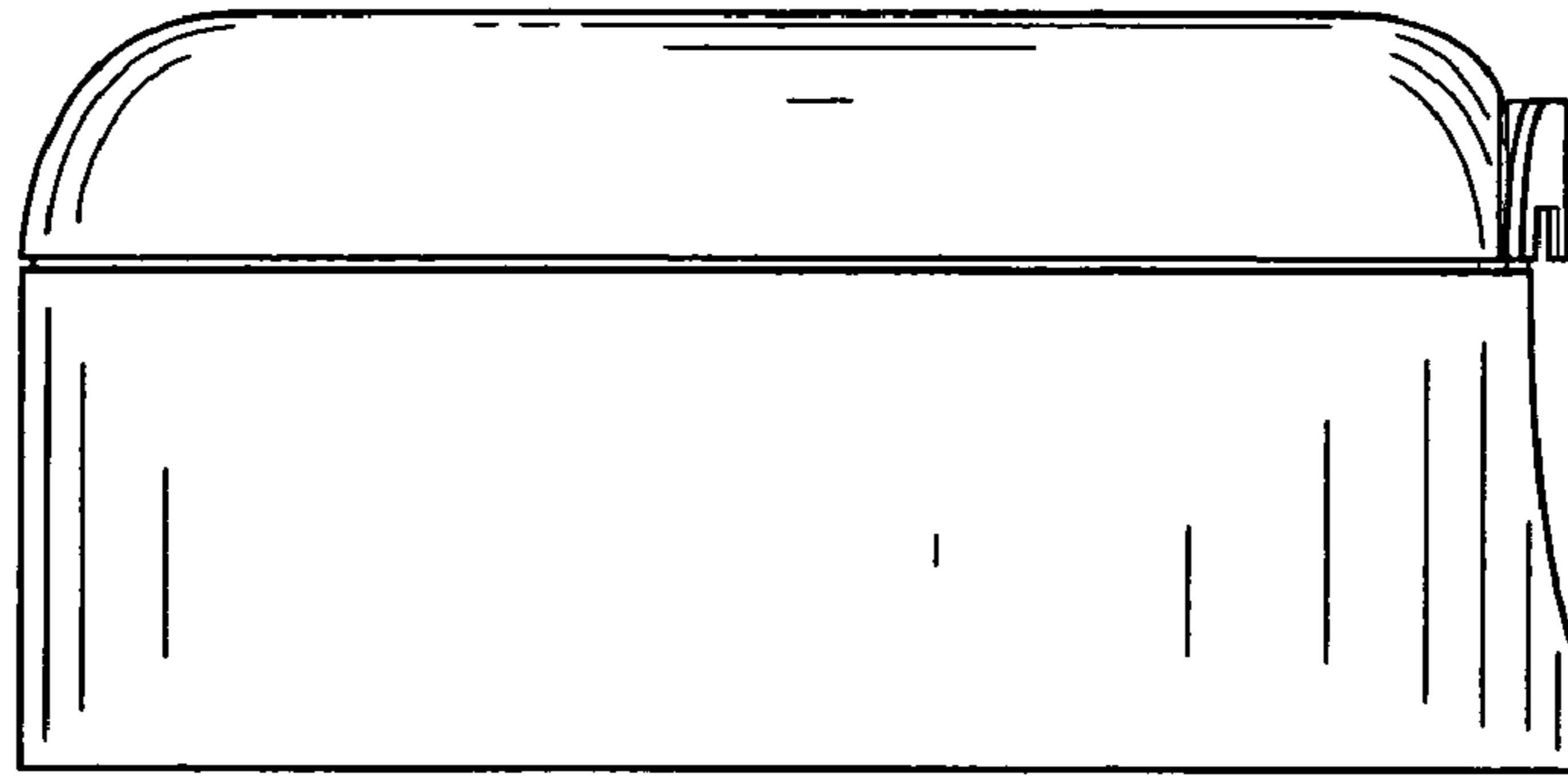


FIG. 8

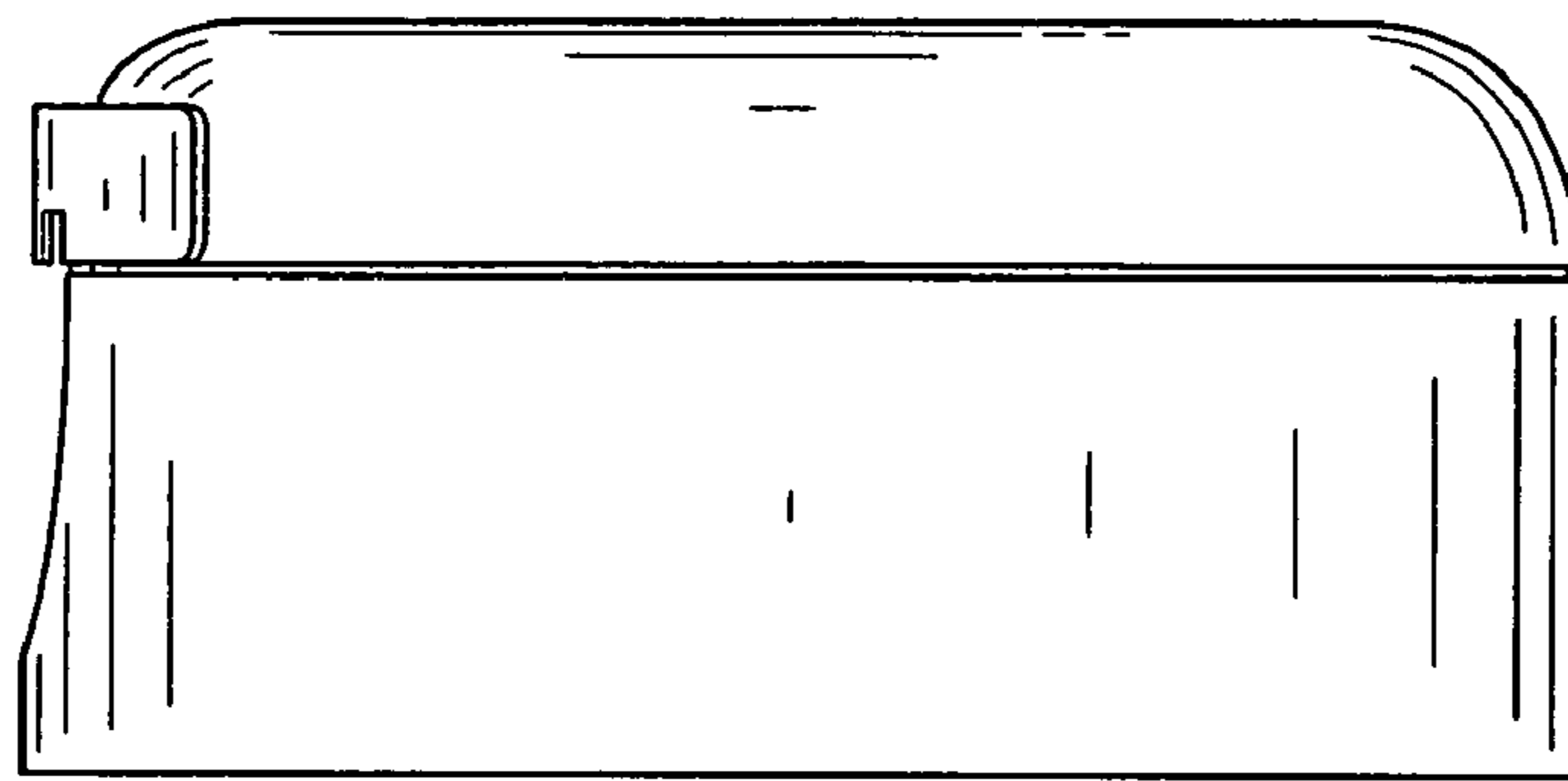


FIG. 9

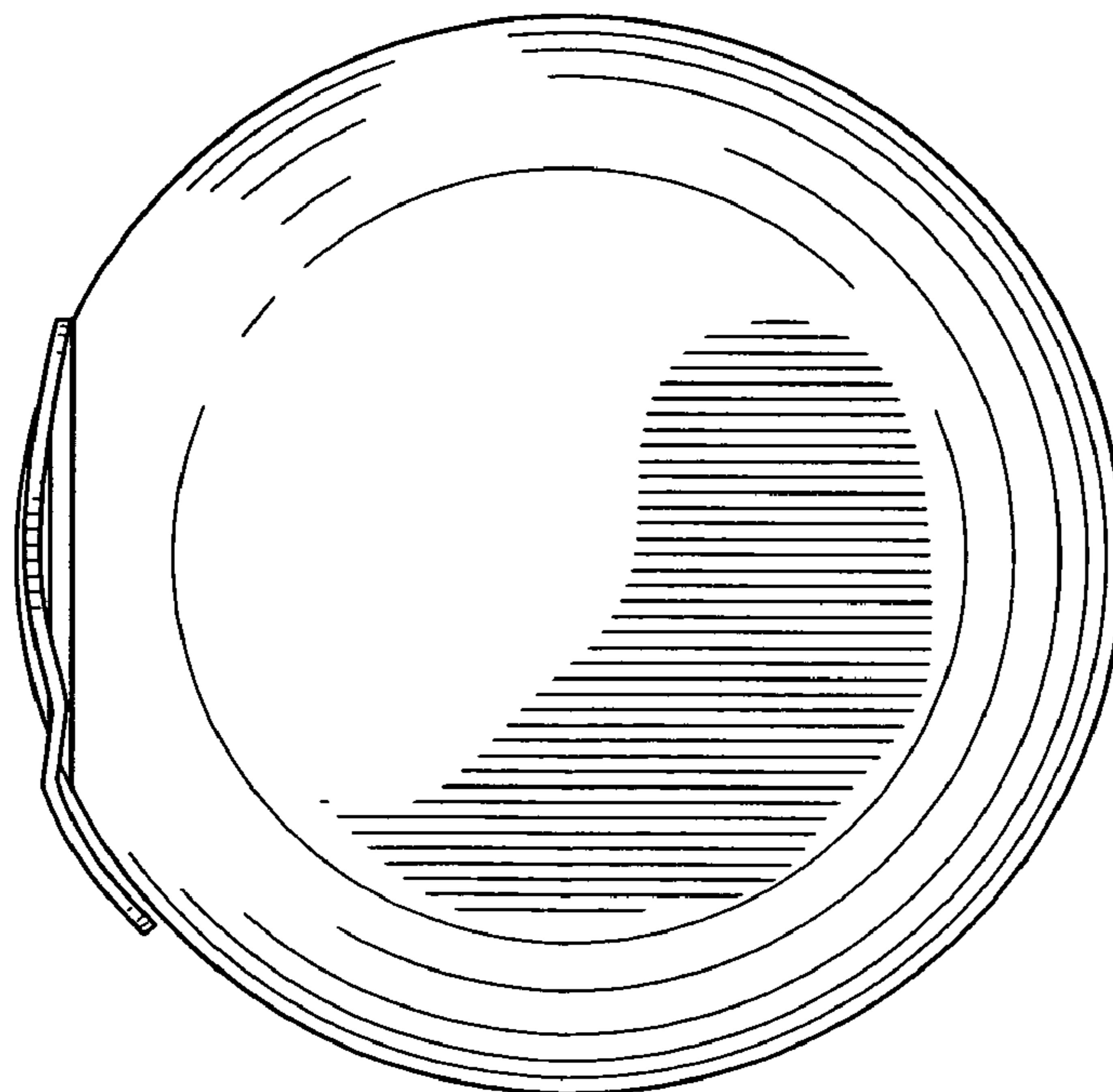


FIG. 10

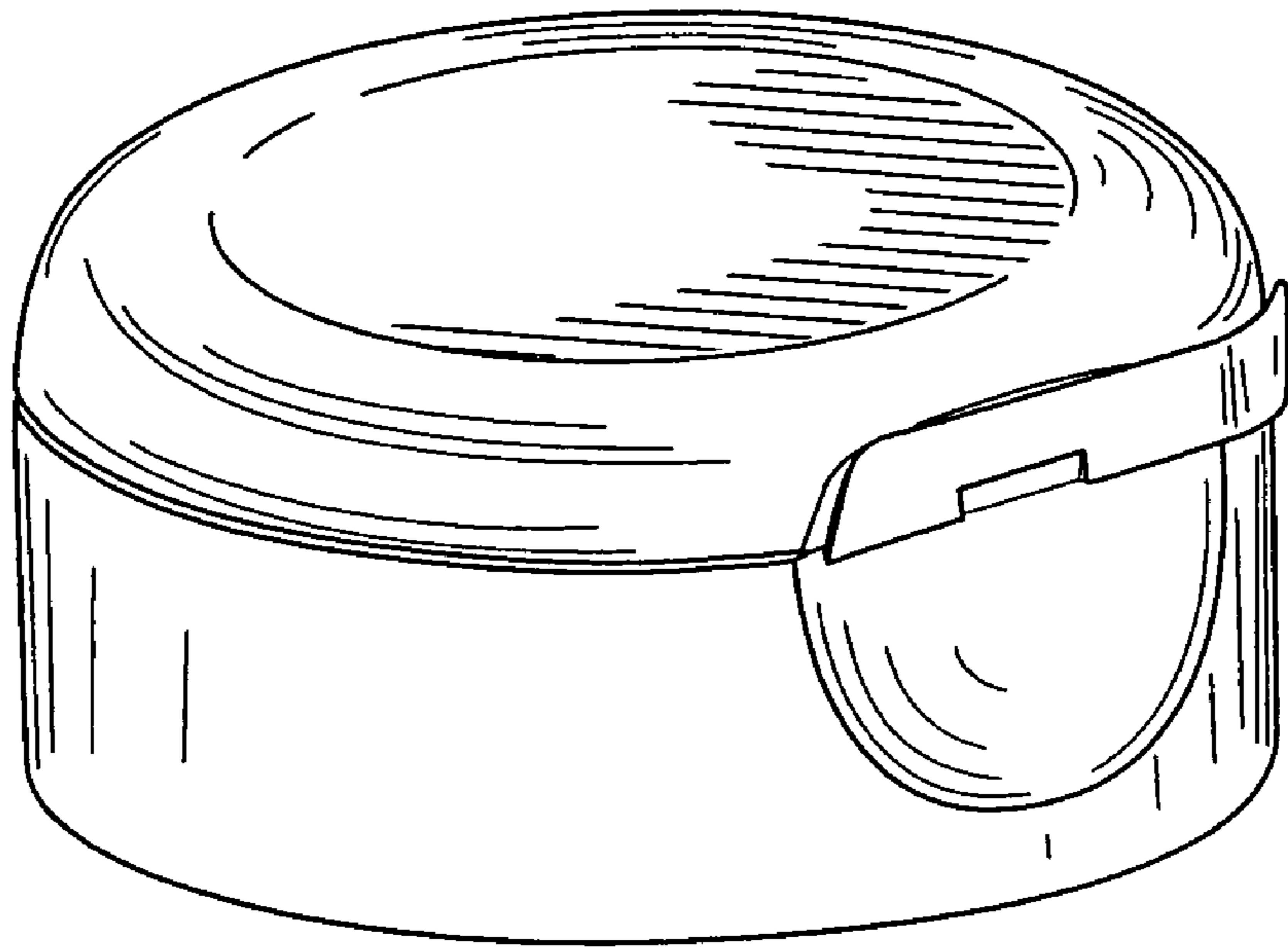


FIG. 11

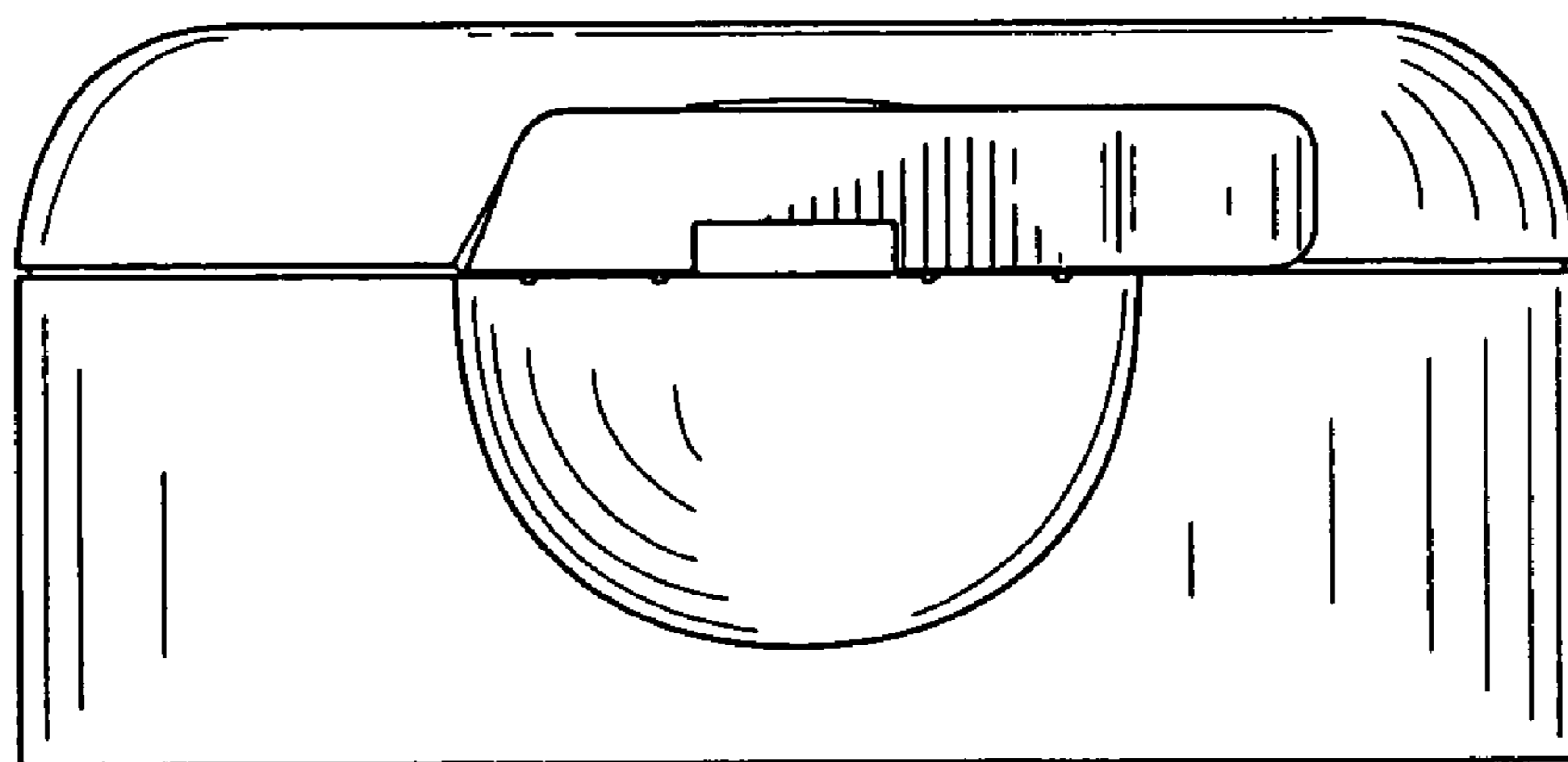


FIG. 12

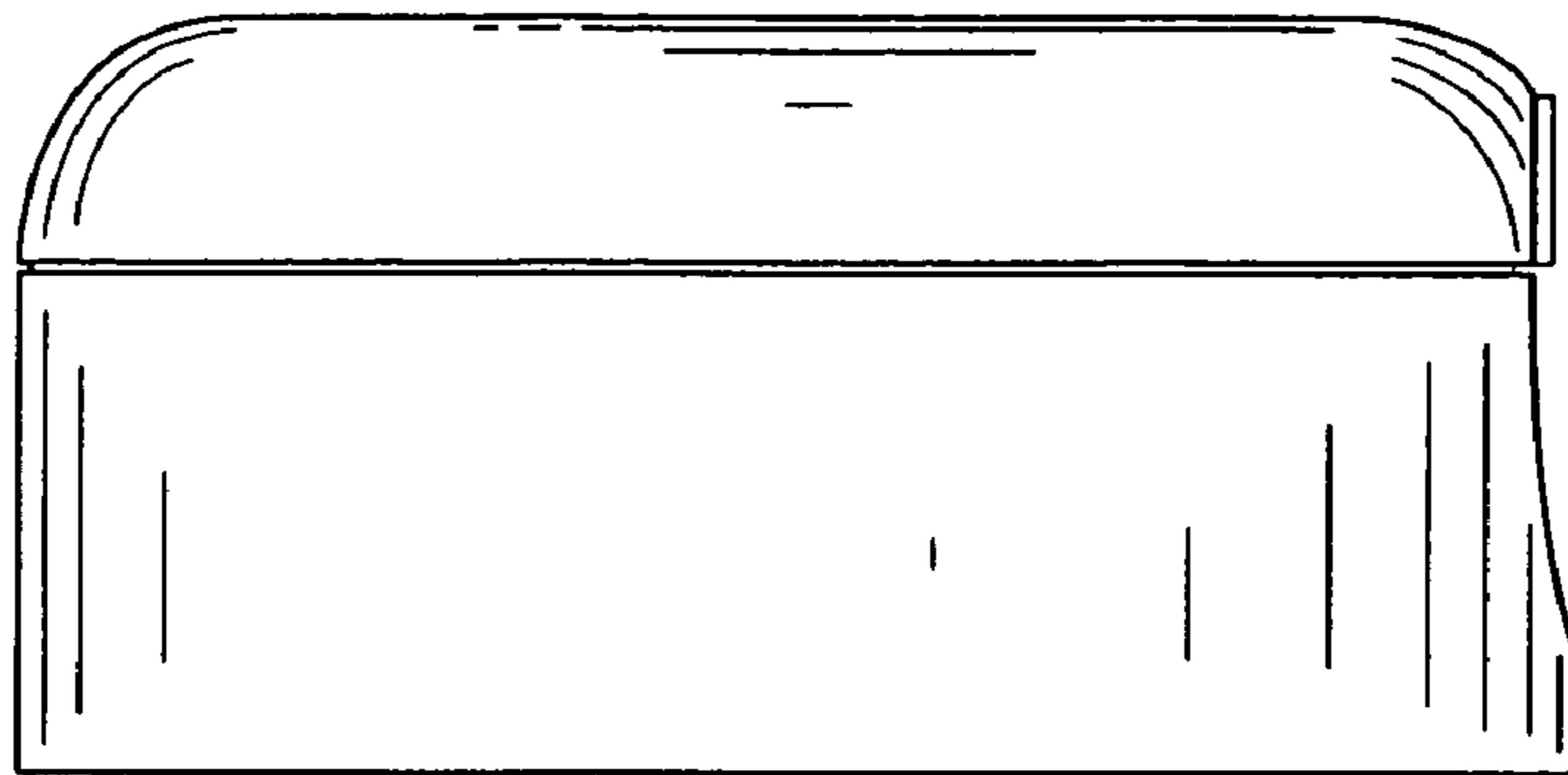


FIG. 13

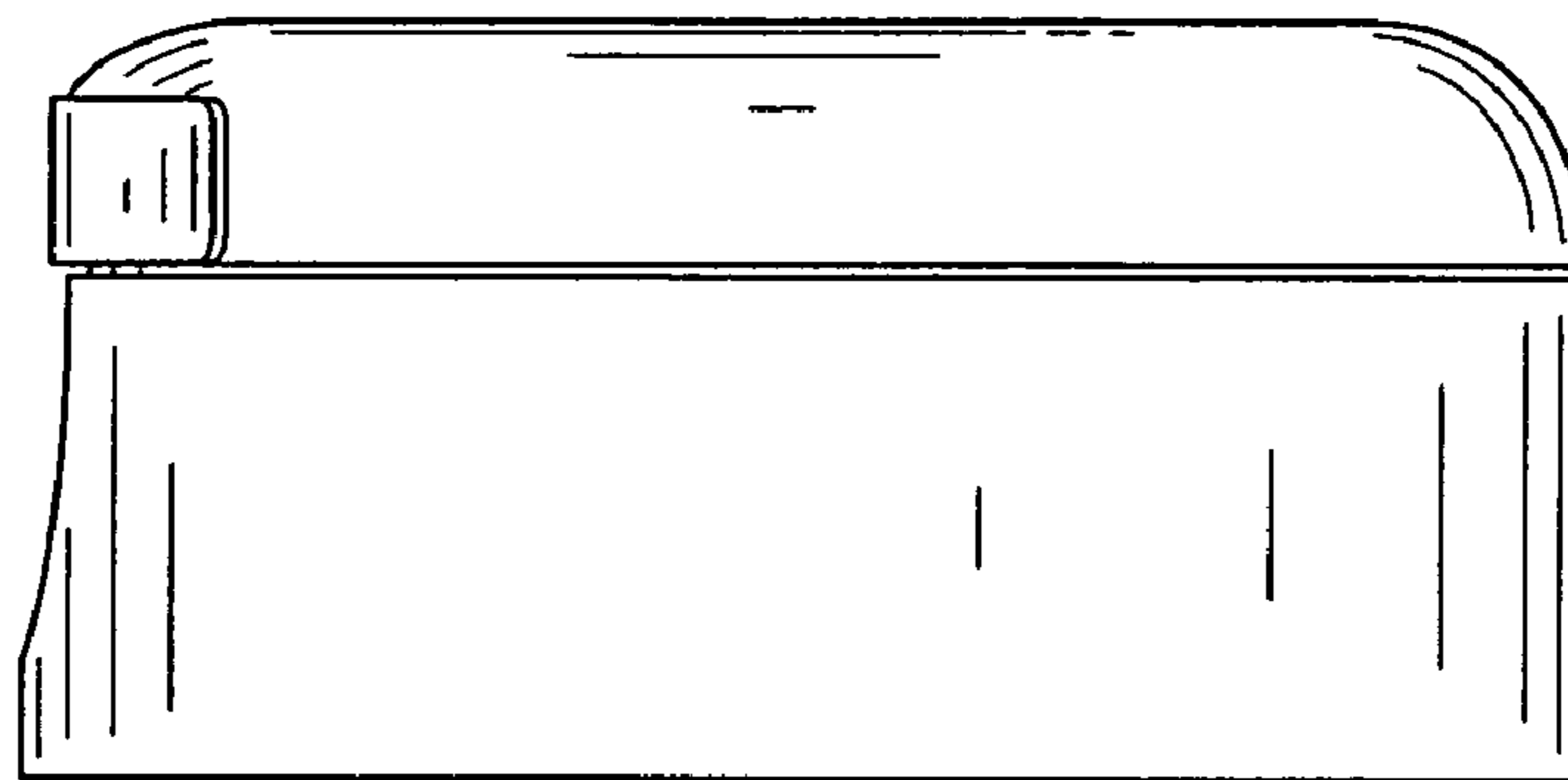


FIG. 14

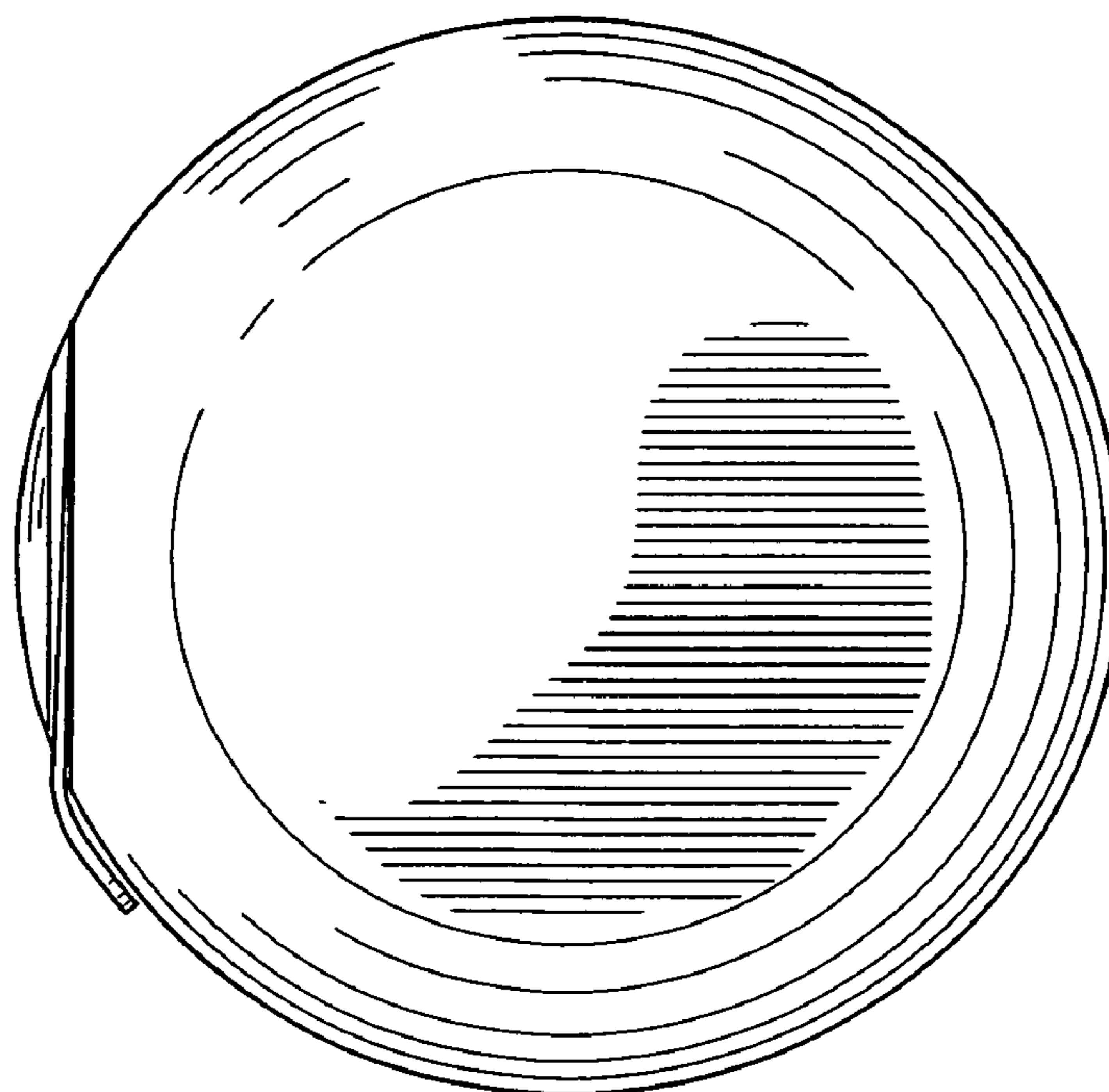


FIG. 15