

US00D547651S

(12) **United States Design Patent** (10) **Patent No.:** **US D547,651 S**
Simpson, Jr. et al. (45) **Date of Patent:** **** Jul. 31, 2007**

(54) **CONTAINER BASE**

(75) Inventors: **Charles P. Simpson, Jr.**, York, PA (US); **Todd Budden**, Dover, PA (US); **John Philip Dinkel**, York, PA (US)

(73) Assignee: **Graham Packaging Company, L.P.**, York, PA (US)

(**) Term: **14 Years**

(21) Appl. No.: **29/242,551**

(22) Filed: **Nov. 14, 2005**

(51) **LOC (8) Cl.** **09-07**

(52) **U.S. Cl.** **D9/434**

(58) **Field of Classification Search** D9/708, D9/705, 558, 520, 499, 447, 445, 440, 439, D9/435; D18/43; 222/95, 92, 88, 23, 105; 215/41, 40, 381, 375, 373; D3/202; D7/387, D7/397, 412, 415

See application file for complete search history.

(56) **References Cited**

U.S. PATENT DOCUMENTS

3,466,443	A *	9/1969	Roesler et al.	250/504 R
4,054,219	A	10/1977	Young et al.	
D253,037	S *	10/1979	Barouh	D9/504
4,598,831	A	7/1986	Nakamura et al.	
4,894,268	A	1/1990	Greenwood et al.	
4,993,566	A	2/1991	Eberle	
4,993,567	A	2/1991	Eberle, Jr.	
5,503,283	A	4/1996	Semersky	
6,065,624	A	5/2000	Steinke	
D448,300	S *	9/2001	Walters et al.	D9/520
D476,896	S *	7/2003	Cheng et al.	D9/520
D478,511	S *	8/2003	Reynolds	D9/502
6,637,612	B2	10/2003	Maczek	
D501,792	S *	2/2005	Priestman	D9/500

D517,918	S *	3/2006	Colloud et al.	D9/502
D534,079	S *	12/2006	Livingston	D9/516
2004/0000533	A1	1/2004	Kamineni et al.	
2004/0195199	A1 *	10/2004	Maki et al.	215/381
2005/0139572	A1 *	6/2005	Pedmo et al.	215/381
2007/0000858	A1 *	1/2007	Boukobza	215/373

FOREIGN PATENT DOCUMENTS

FR 2 796 919 2/2001

* cited by examiner

Primary Examiner—Robert M. Spear

Assistant Examiner—Susan Bennett Hattan

(74) *Attorney, Agent, or Firm*—Venable LLP; Keith G. Haddaway

(57) **CLAIM**

The ornamental design for a container base, as shown and described.

DESCRIPTION

FIG. 1 is a perspective view of a container base according to a first embodiment of the present invention.

FIG. 2 is a bottom view of a container base according to a first embodiment of the present invention.

FIG. 3 is a perspective view of a container base according to a second embodiment of the present invention.

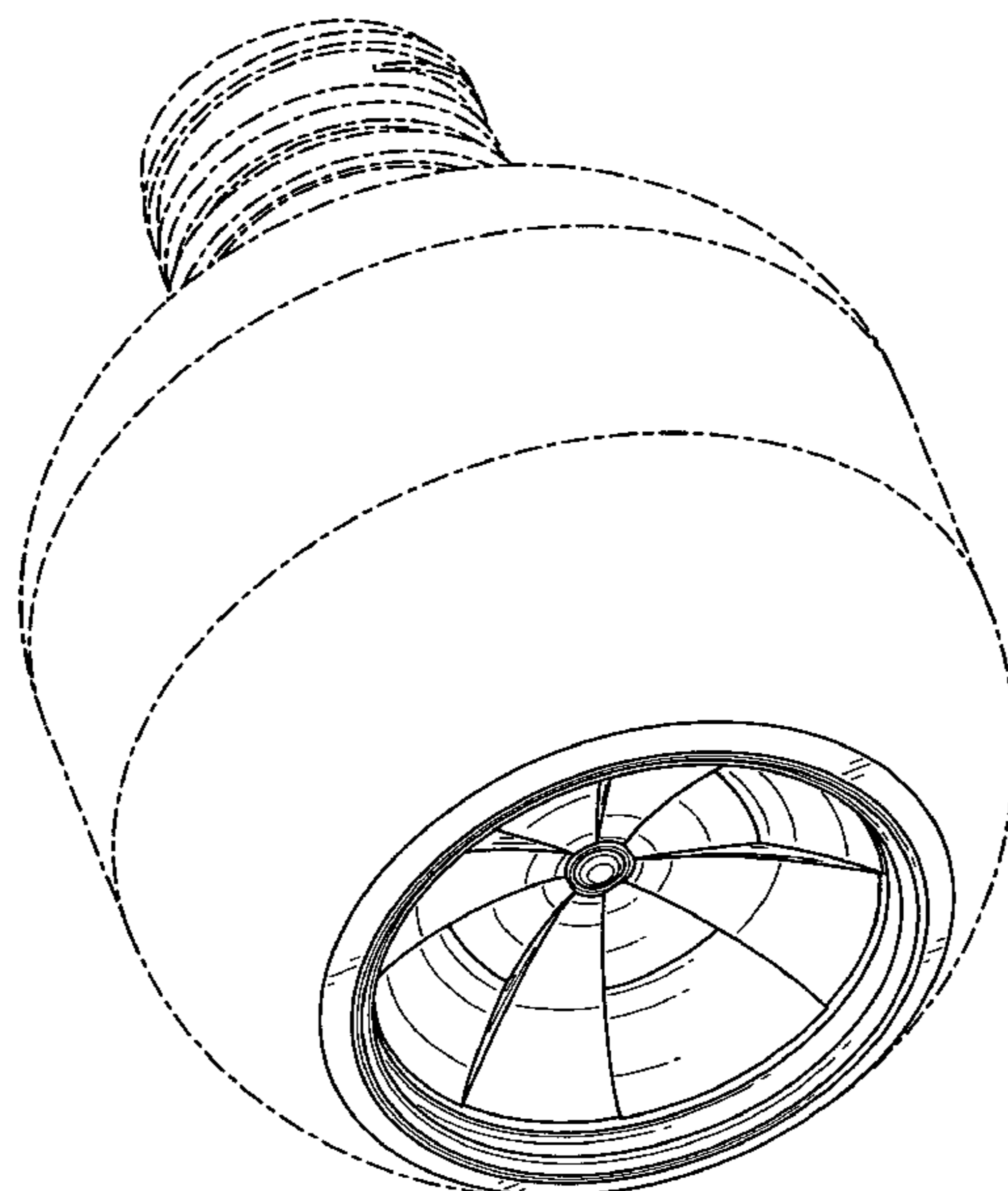
FIG. 4 is a bottom view of a container base according to a second embodiment of the present invention.

FIG. 5 is a perspective view of a container base according to a third embodiment of the present invention; and,

FIG. 6 is a bottom view of a container base according to a third embodiment of the present invention.

Features shown in broken lines are environment only and not part of the claimed design.

1 Claim, 6 Drawing Sheets



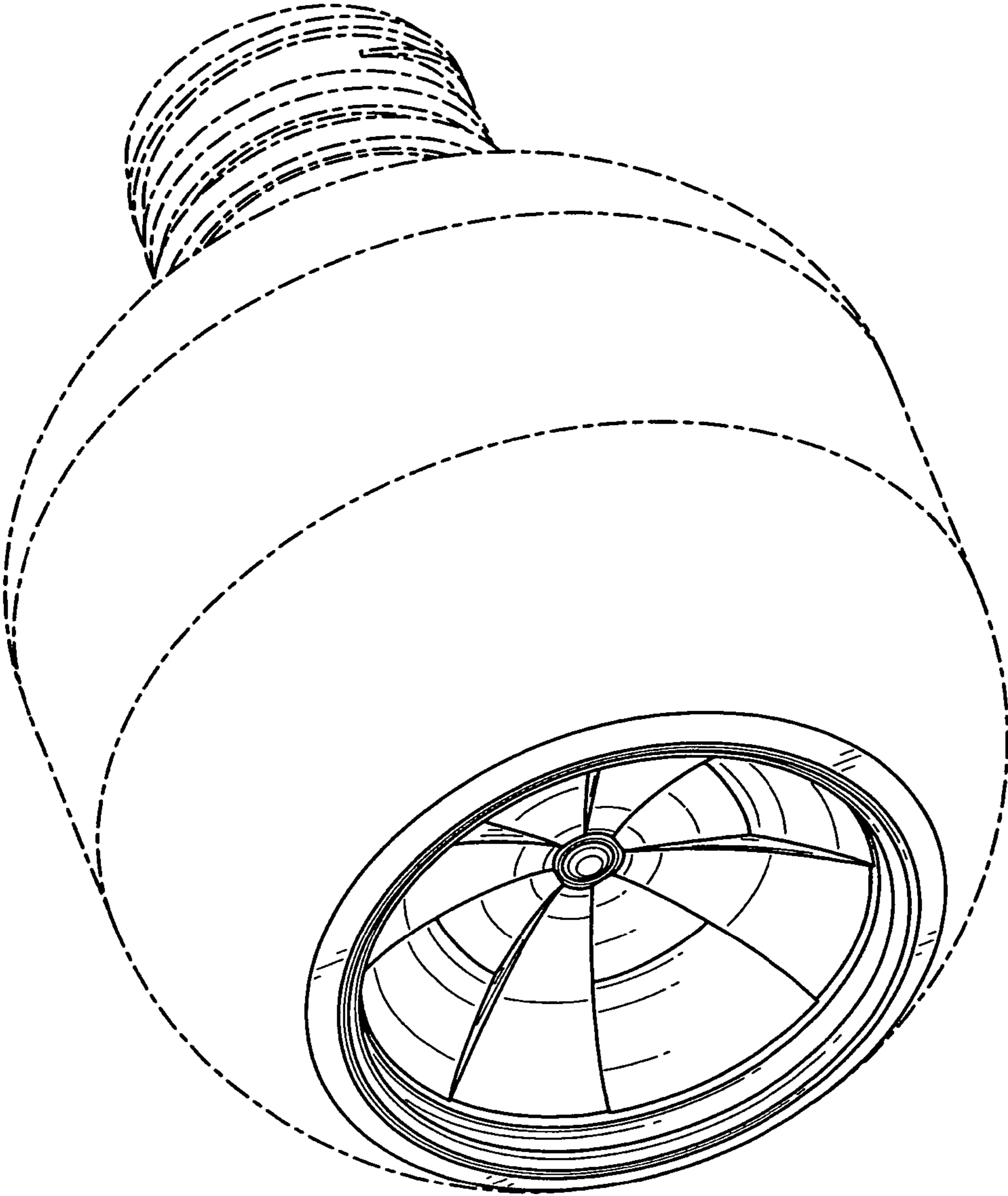


FIG. 1

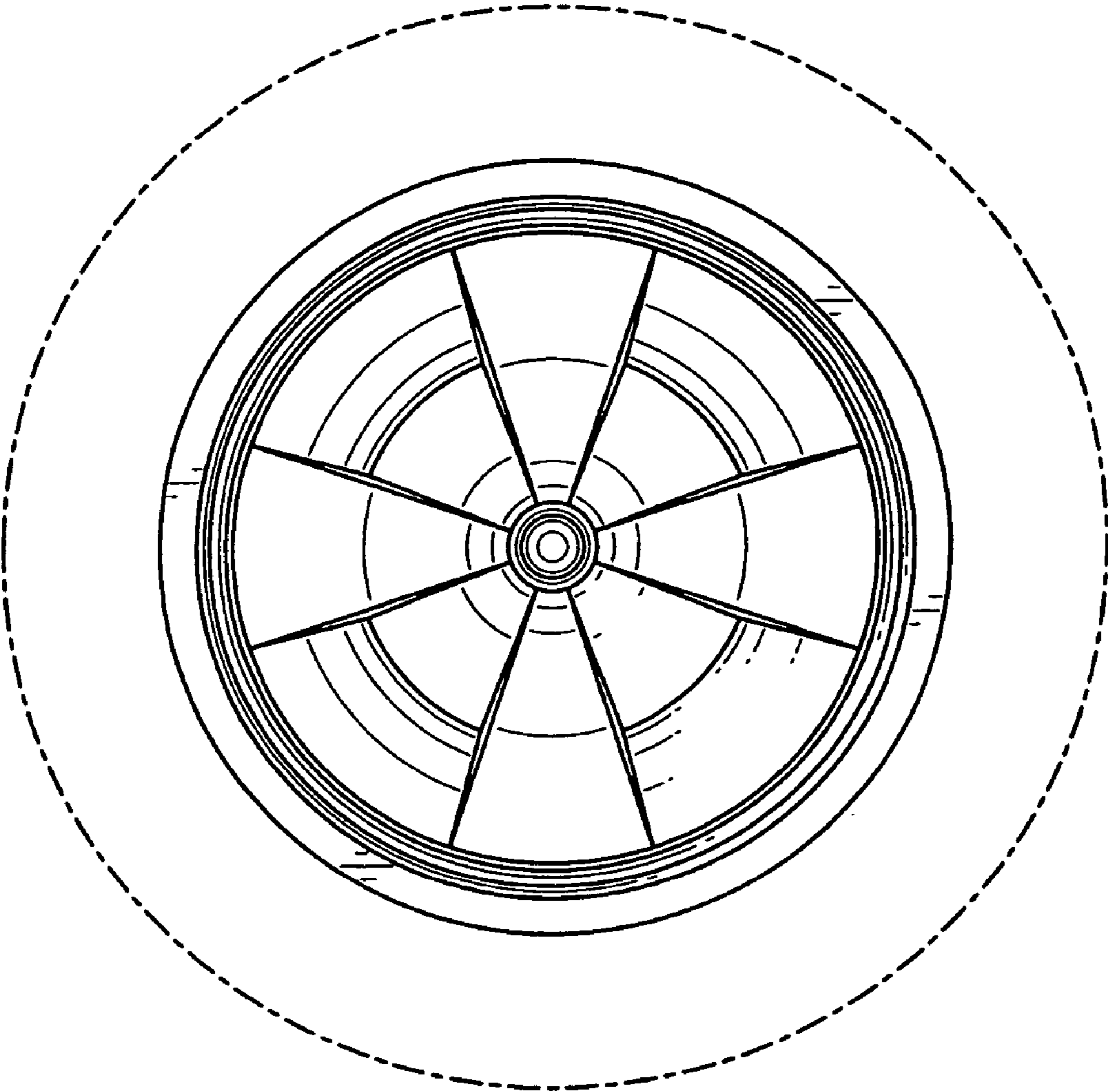


FIG. 2

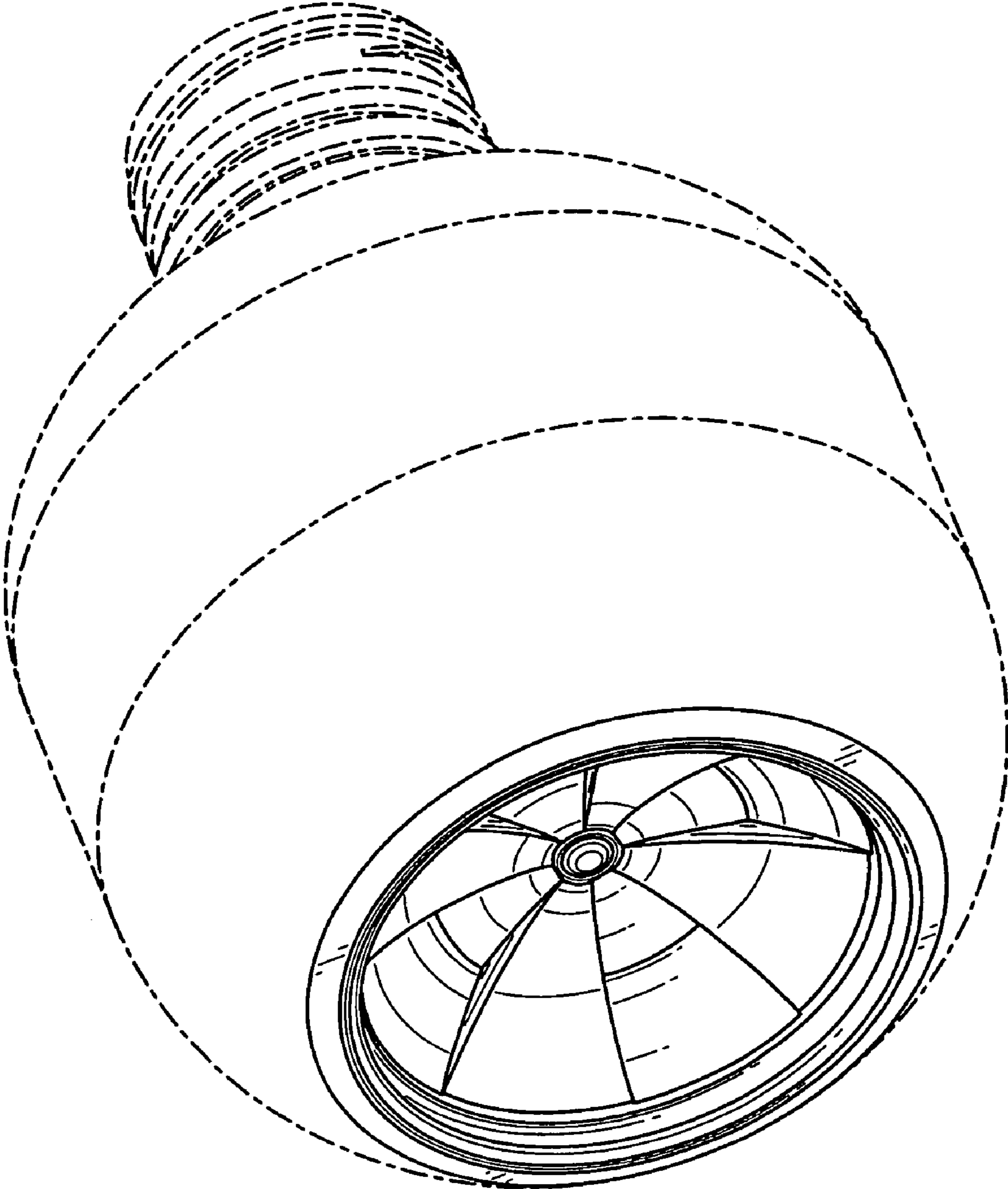


FIG. 3

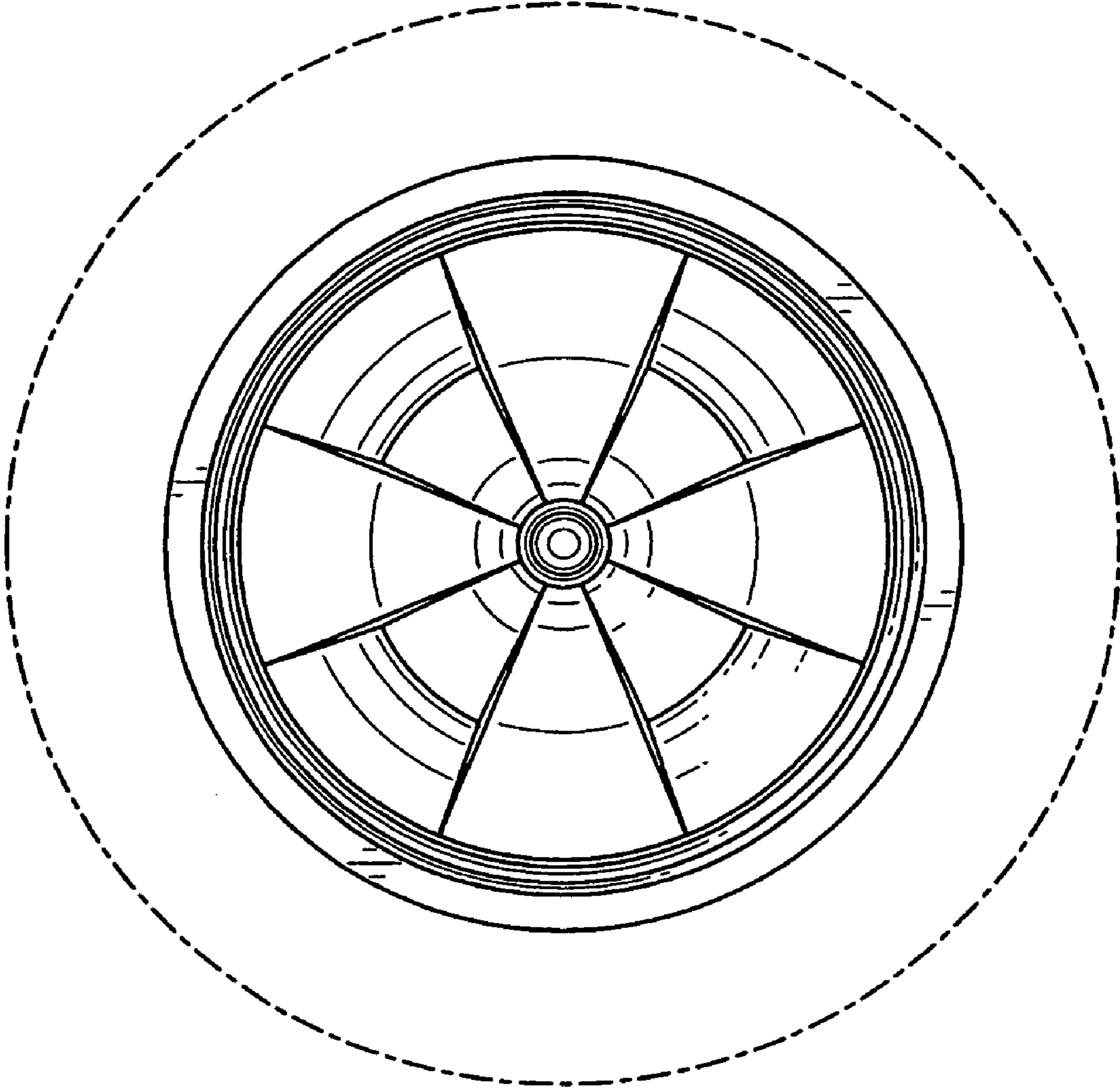


FIG. 4

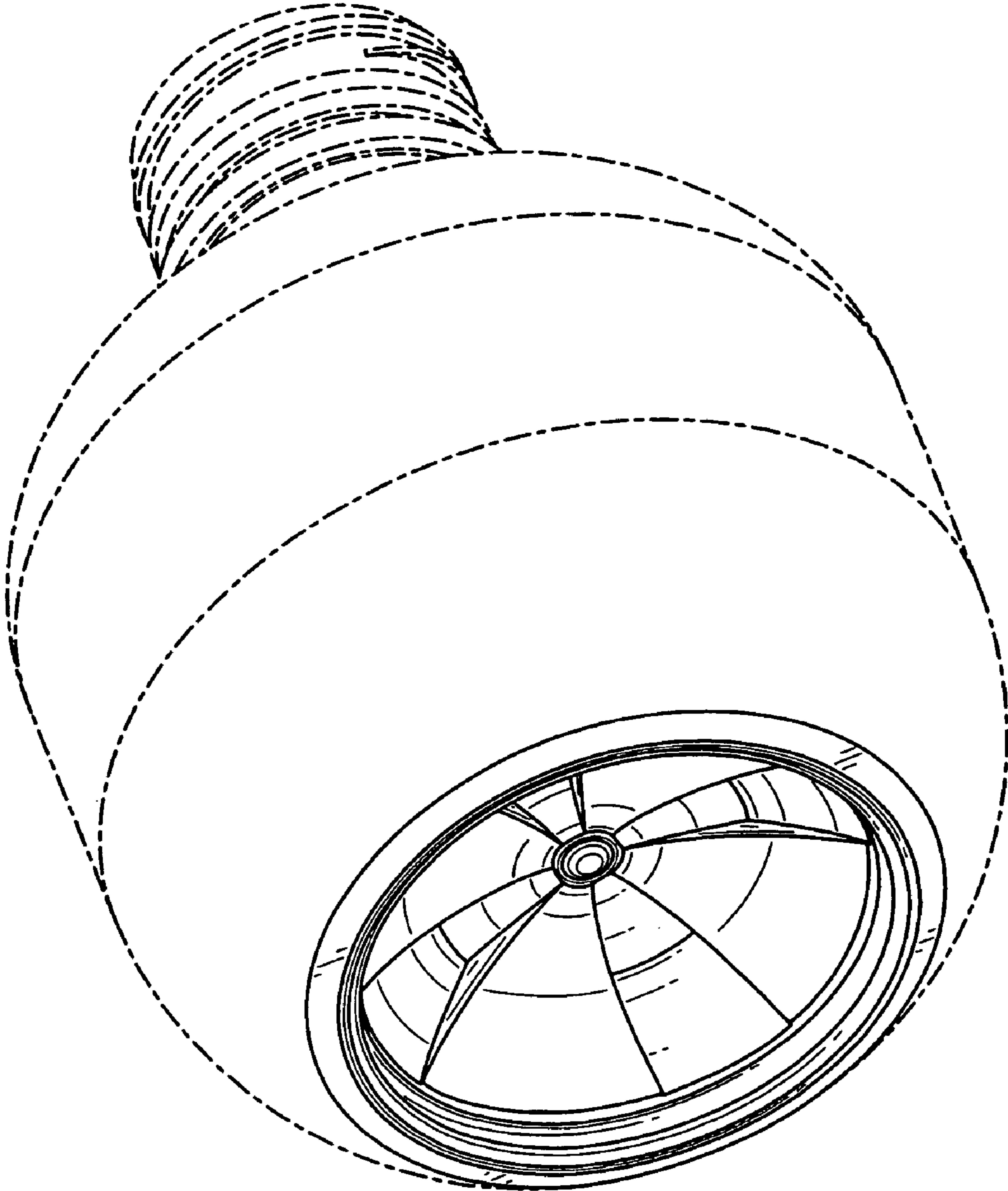


FIG. 5

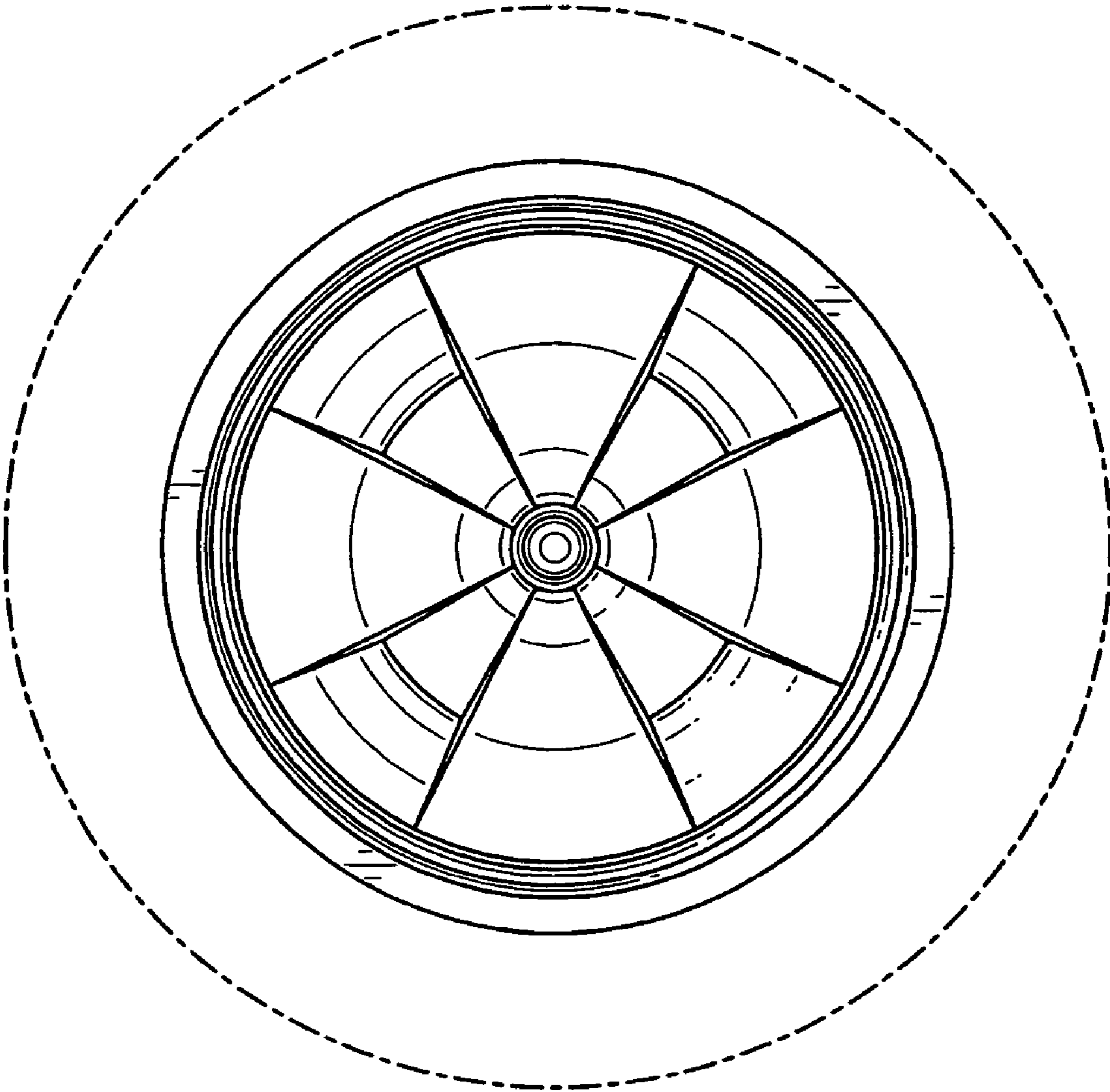


FIG. 6