

US00D547648S

(12) **United States Design Patent**
Solowiejko

(10) **Patent No.:** **US D547,648 S**

(45) **Date of Patent:** **** Jul. 31, 2007**

(54) **CONTAINER HAVING A PIVOTING LID**

D480,636 S * 10/2003 Caroen D9/414

(75) Inventor: **George Solowiejko**, Rockford, IL (US)

* cited by examiner

(73) Assignee: **J.L. Clark, Inc.**, Rockford, IL (US)

Primary Examiner—Stella Reid

Assistant Examiner—Thomas Johannes

(**) Term: **14 Years**

(74) *Attorney, Agent, or Firm*—Leydig, Voit & Mayer, Ltd.

(21) Appl. No.: **29/252,902**

(57) **CLAIM**

(22) Filed: **Jan. 30, 2006**

The ornamental design for a container having a pivoting lid, as shown and described.

(51) **LOC (8) Cl.** **09-03**

(52) **U.S. Cl.** **D9/421; D9/428**

(58) **Field of Classification Search** D9/414–435,
D9/438, 443, 744, 730, 733, 759; 221/17,
221/22, 92–100; D3/203.2; D28/73–82;
D7/629, 601–2, 589–90; D24/131; 220/270,
220/265, 315, 810, 283, 254.1–254.9, 259.1–259.5;
206/528, 530

See application file for complete search history.

DESCRIPTION

FIG. 1 is a top front perspective view of the container having a pivoting lid illustrated in a pivoted open position with the dispensing opening shown in dashed lines:

FIG. 2 is a top view thereof;

FIG. 3 is a front view thereof;

FIG. 4 is a rear view thereof;

FIG. 5 is a side view thereof;

FIG. 6 is a side view thereof showing the side opposite that shown in FIG. 5;

FIG. 7 is a bottom view thereof; and,

FIG. 8 is top rear perspective view thereof.

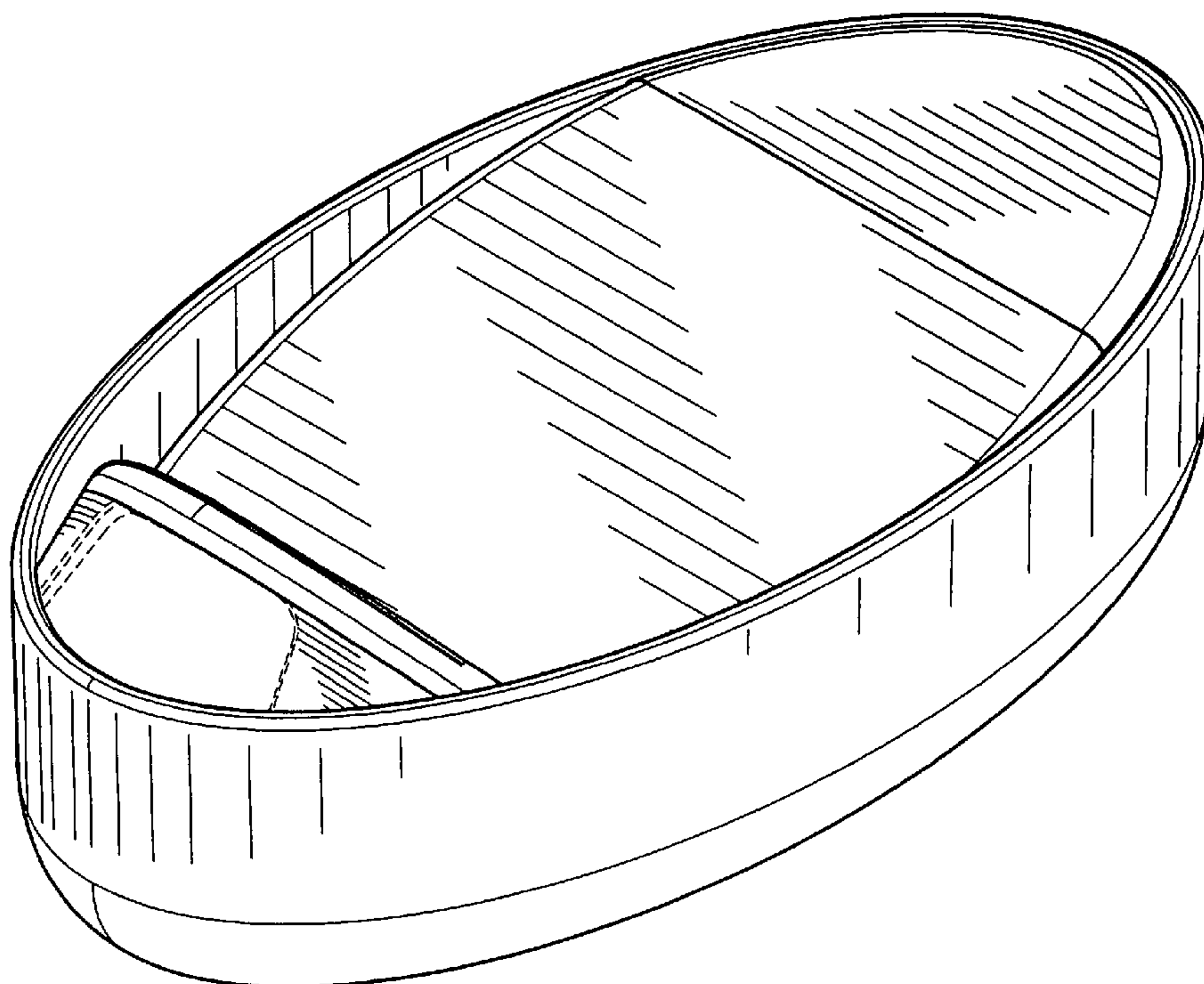
The broken lines in the figures are environmental structure shown for illustrative purposes only and do not form any part of the claimed design.

(56) **References Cited**

U.S. PATENT DOCUMENTS

- D278,207 S * 4/1985 McLaughlin D3/203.2
- D314,708 S * 2/1991 DeCoster D9/449
- D349,644 S * 8/1994 Miyairi et al. D3/203.2
- D382,769 S * 8/1997 Jeppesen et al. D7/392.1
- D448,668 S * 10/2001 Baerenwald et al. D9/449
- D456,713 S * 5/2002 Bried et al. D9/449
- D464,567 S * 10/2002 Baerenwald et al. D9/432
- D475,282 S * 6/2003 Snaith et al. D9/420
- D480,635 S * 10/2003 Caroen D9/414

1 Claim, 7 Drawing Sheets



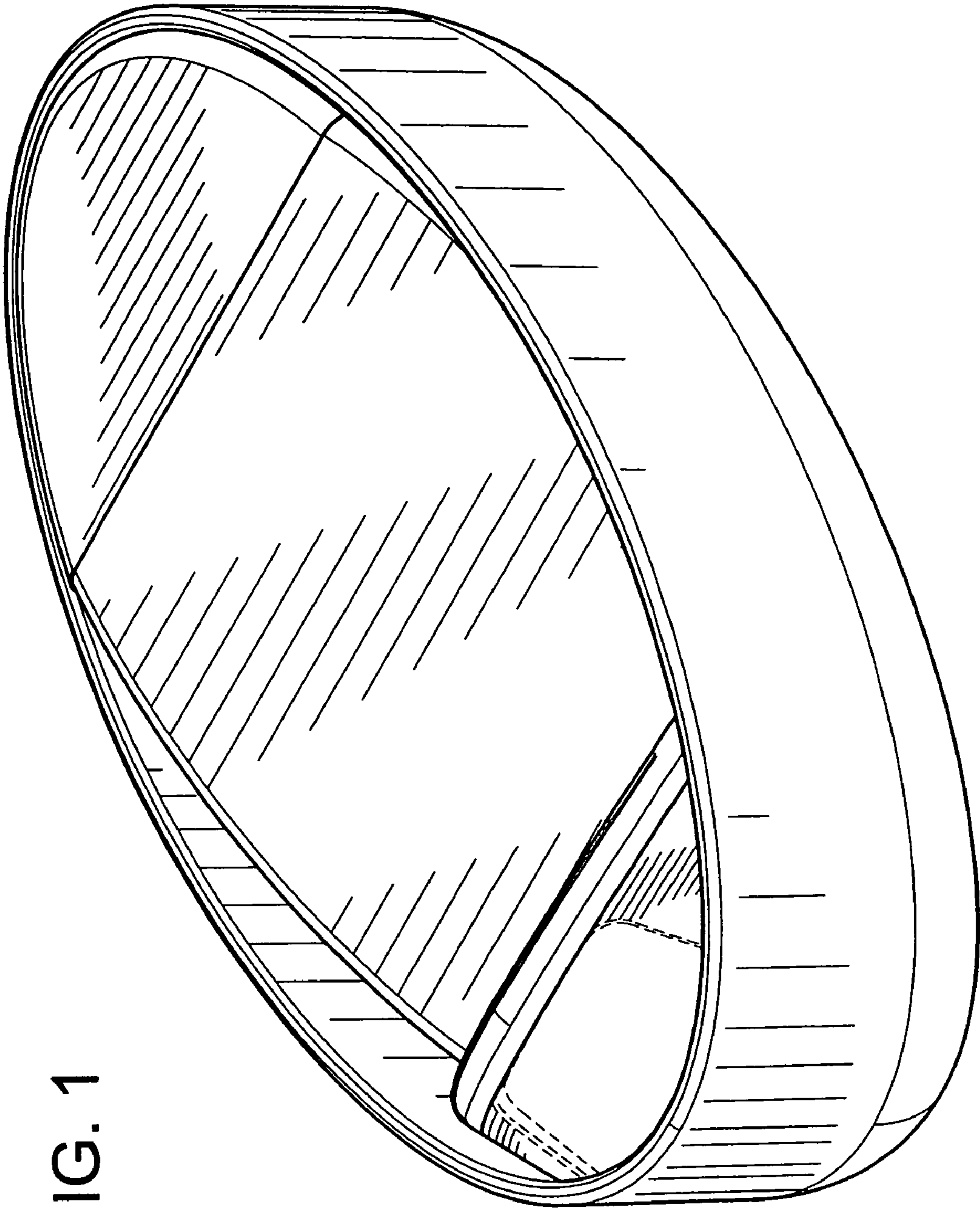


FIG. 1

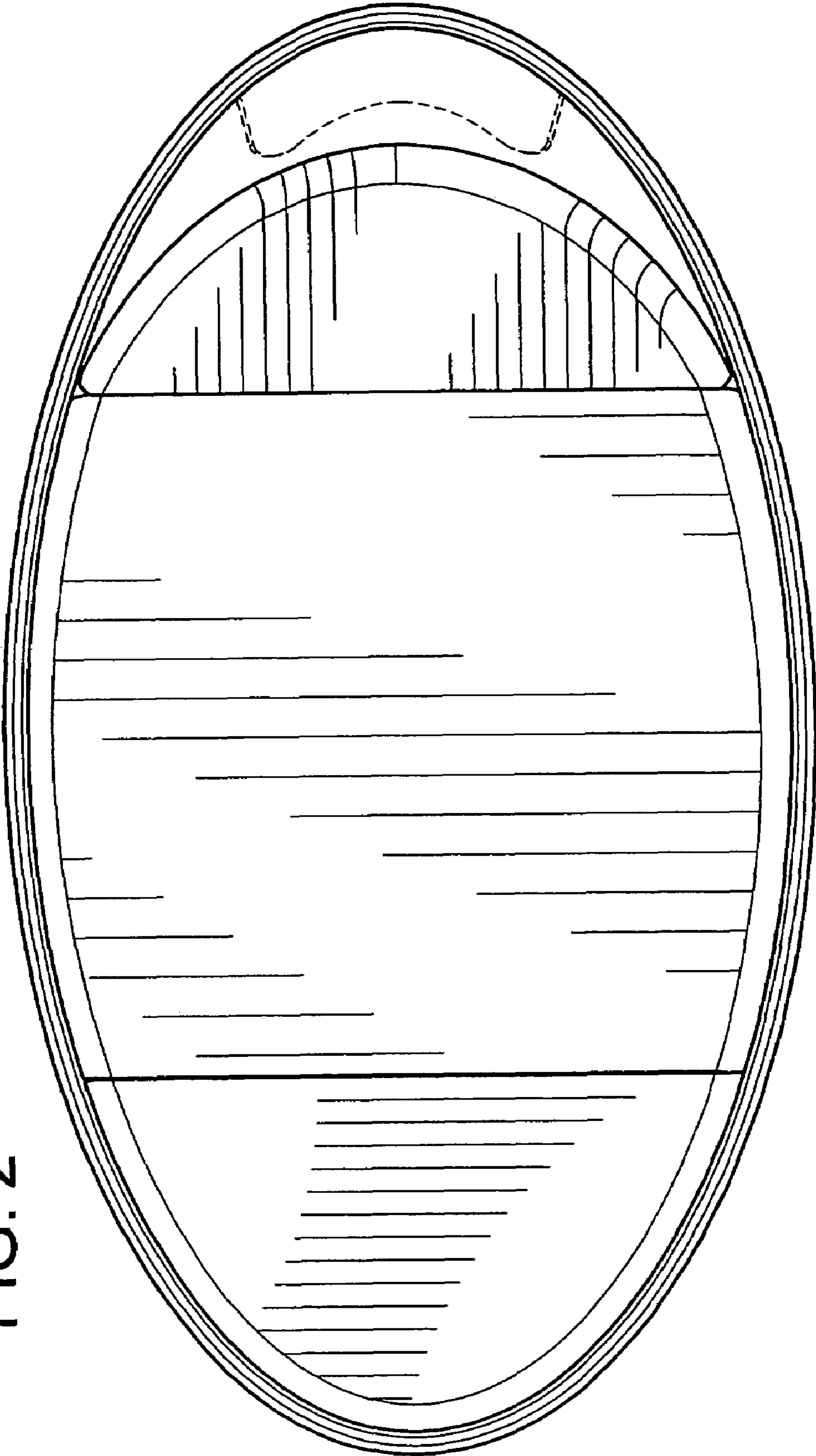


FIG. 2

FIG. 3

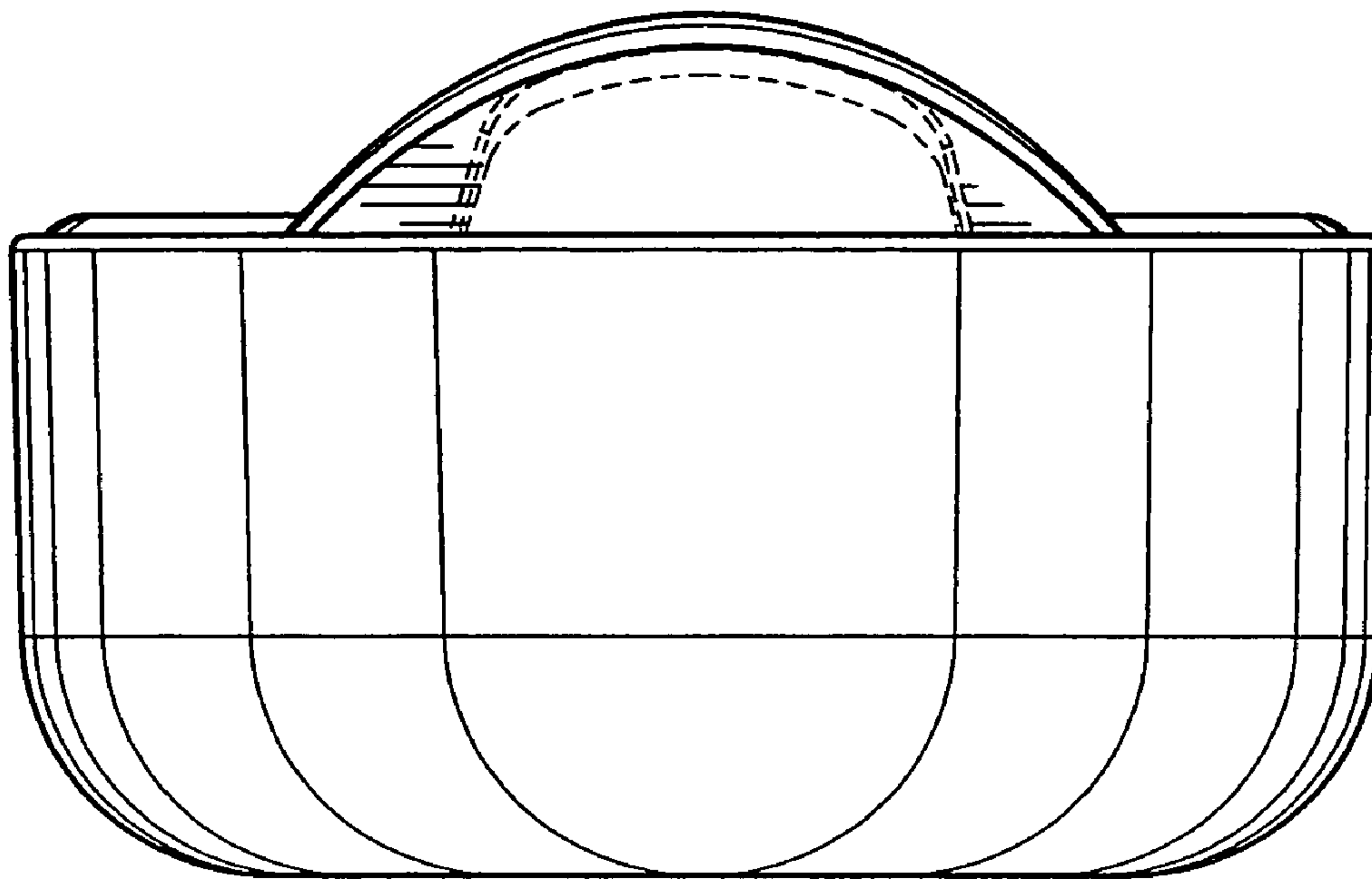


FIG. 4

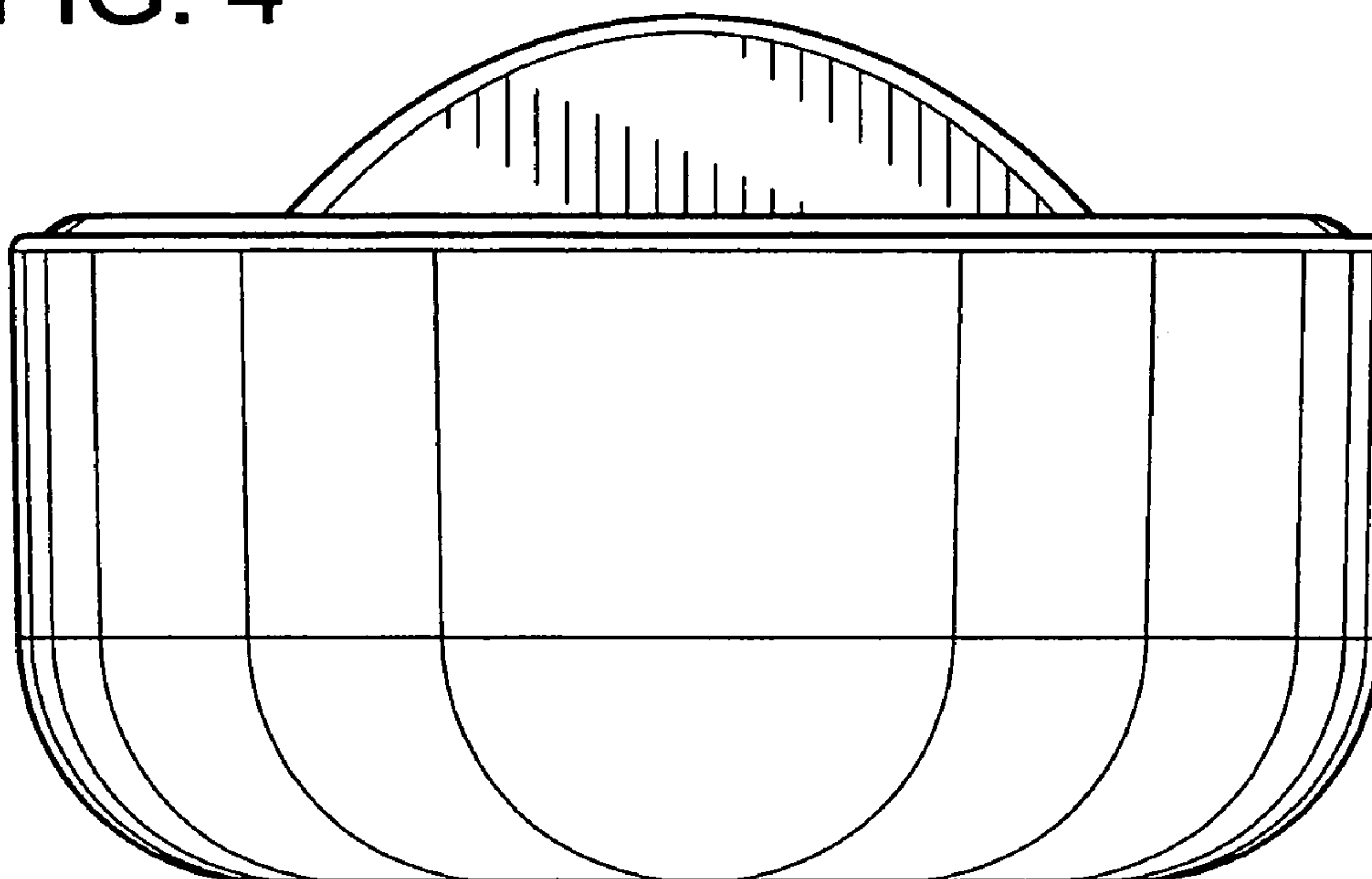


FIG. 5

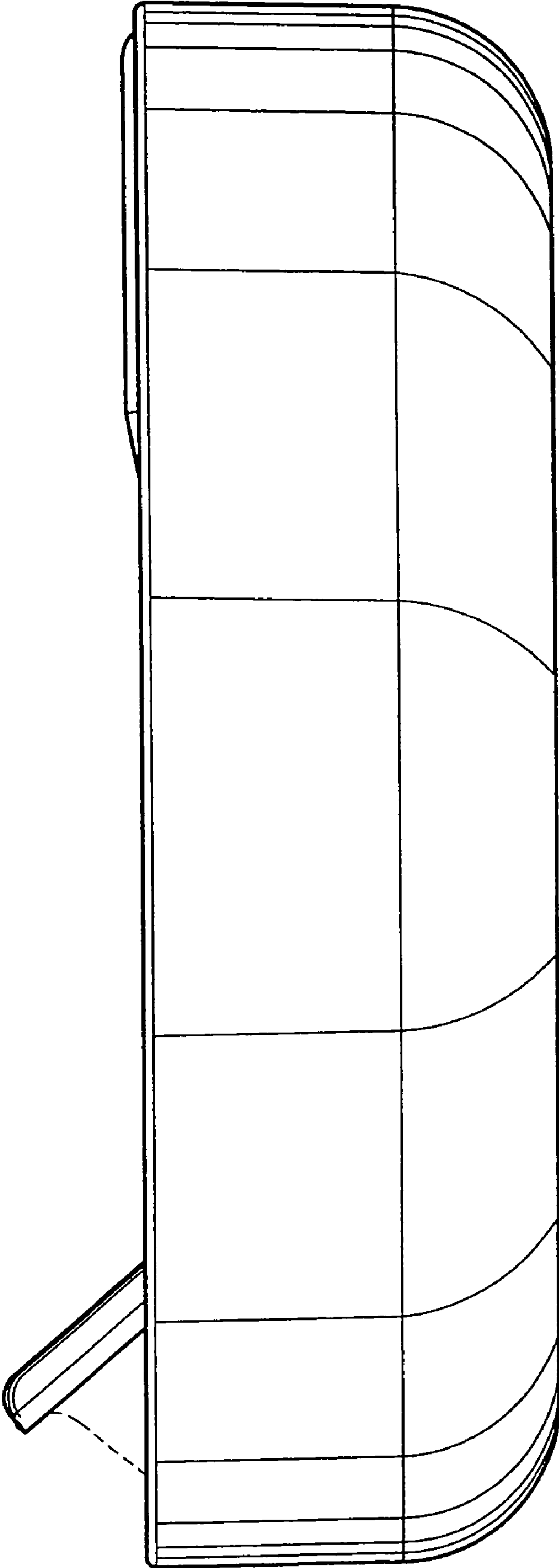


FIG. 6

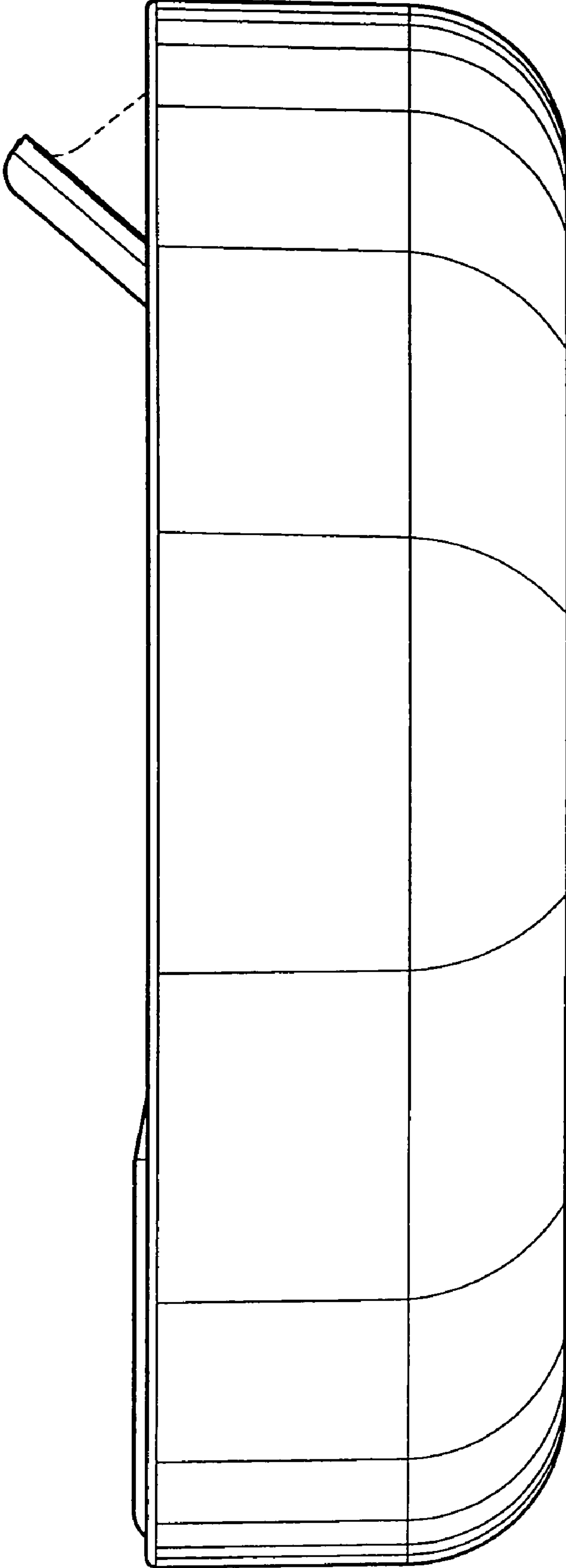
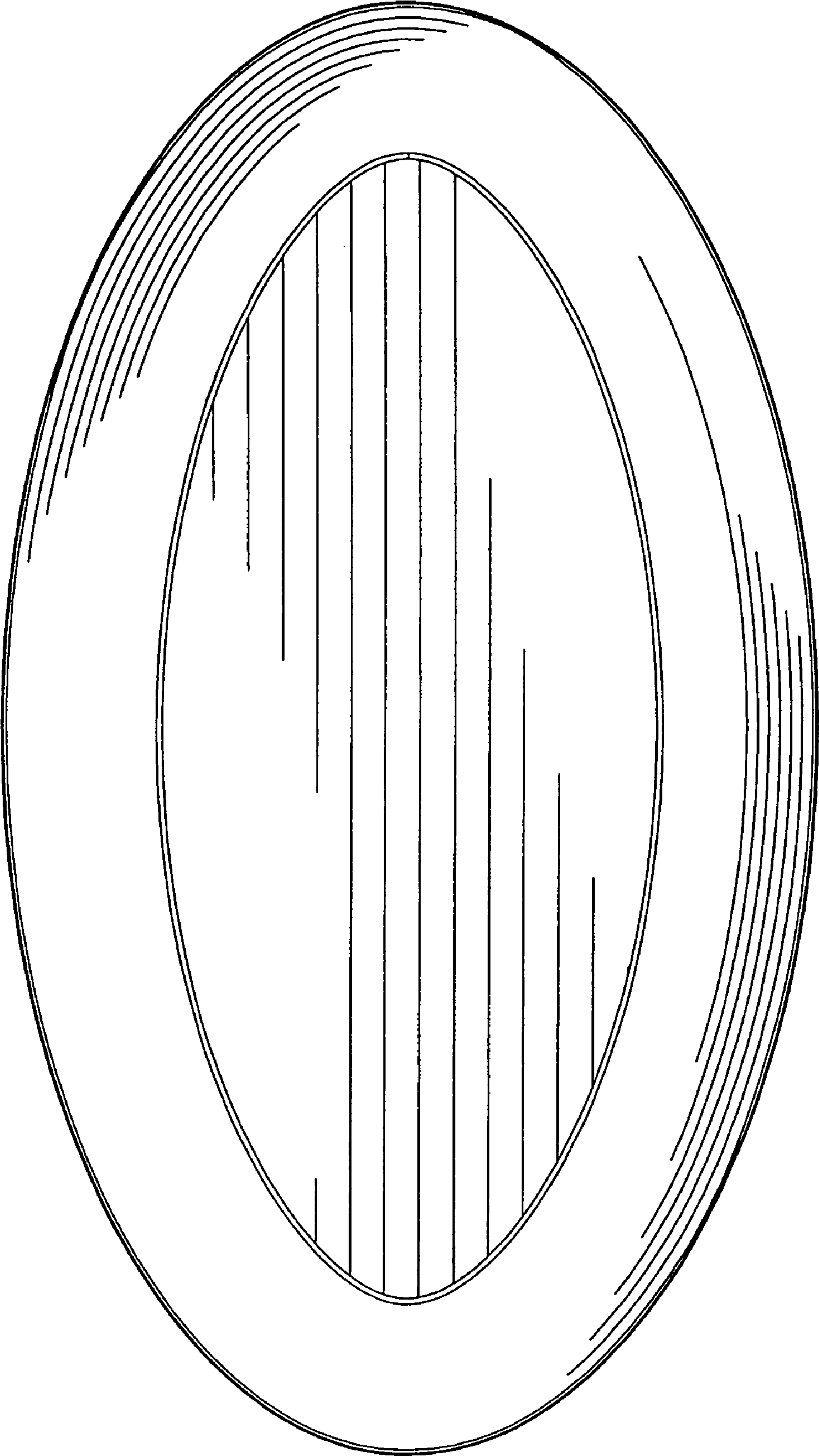


FIG. 7



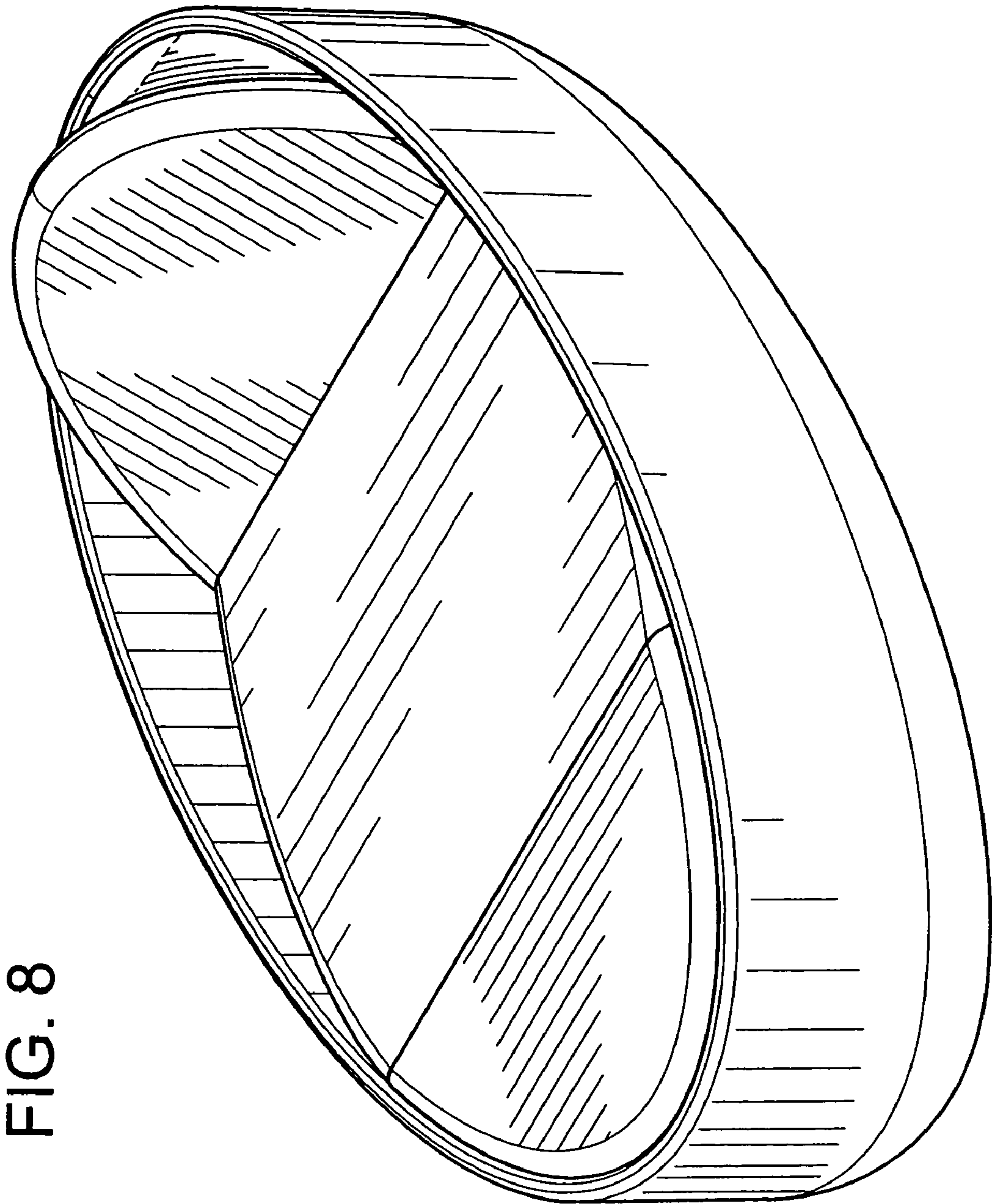


FIG. 8