

US00D547647S

(12) **United States Design Patent**
Kutsch et al.

(10) **Patent No.:** **US D547,647 S**
(45) **Date of Patent:** **** Jul. 31, 2007**

(54) **CONTAINER**

(75) Inventors: **John H. Kutsch**, Crystal Lake, IL (US); **Rutger Thiellier**, Chicago, IL (US); **Andrew Vest**, Midlothian, VA (US)

(73) Assignee: **Philip Morris USA Inc.**, Richmond, VA (US)

(**) Term: **14 Years**

(21) Appl. No.: **29/251,992**

(22) Filed: **Jan. 18, 2006**

Related U.S. Application Data

(63) Continuation-in-part of application No. 29/234,325, filed on Jul. 18, 2005.

(51) **LOC (8) Cl.** **09-03**

(52) **U.S. Cl.** **D9/420**

(58) **Field of Classification Search** D9/414-435, D9/438, 443, 744, 730, 733, 759; 221/17, 221/22, 92-100; D3/203.2; D28/73-82; D7/629, 601-2, 589-90; D24/131; 220/270, 220/265, 315, 810, 283, 254.1-254.9, 259.1-259.5; 206/528, 530

See application file for complete search history.

(56) **References Cited**

U.S. PATENT DOCUMENTS

- 4,076,117 A 2/1978 Wisdom et al.
- 4,113,098 A 9/1978 Howard
- 4,126,244 A 11/1978 Elser
- 4,174,034 A 11/1979 Hoo
- 4,364,488 A 12/1982 Anjou
- 4,485,915 A 12/1984 Berghahn
- D278,207 S * 4/1985 McLaughlin D3/203.2
- 4,561,544 A 12/1985 Reeve
- 4,844,284 A 7/1989 Drozd et al.
- 5,080,222 A 1/1992 McNary

- 5,082,137 A 1/1992 Weinstein
- 5,275,291 A 1/1994 Sledge
- D352,895 S 11/1994 van Loo
- D367,211 S * 2/1996 Cautereels D7/629

(Continued)

OTHER PUBLICATIONS

“How to Revel,” <http://www.revel.com/How.aspx>, copyright 2005.

Primary Examiner—Stella Reid

Assistant Examiner—Thomas Johannes

(74) *Attorney, Agent, or Firm*—Buchanan, Ingersoll & Rooney PC

(57) **CLAIM**

The ornamental design for a container, as shown and described.

DESCRIPTION

FIG. 1 is a front, left side and bottom perspective view of a container showing a first embodiment of our design.

FIG. 2 is a front elevational view thereof.

FIG. 3 is a back elevational view thereof.

FIG. 4 is a top plan view thereof.

FIG. 5 is a bottom plan view thereof.

FIG. 6 is a right side elevational view thereof.

FIG. 7 is a left side elevational view thereof.

FIG. 8 is a front, left side and bottom perspective view of a container showing a second embodiment of our design.

FIG. 9 is a front elevational view thereof.

FIG. 10 is a back elevational view thereof.

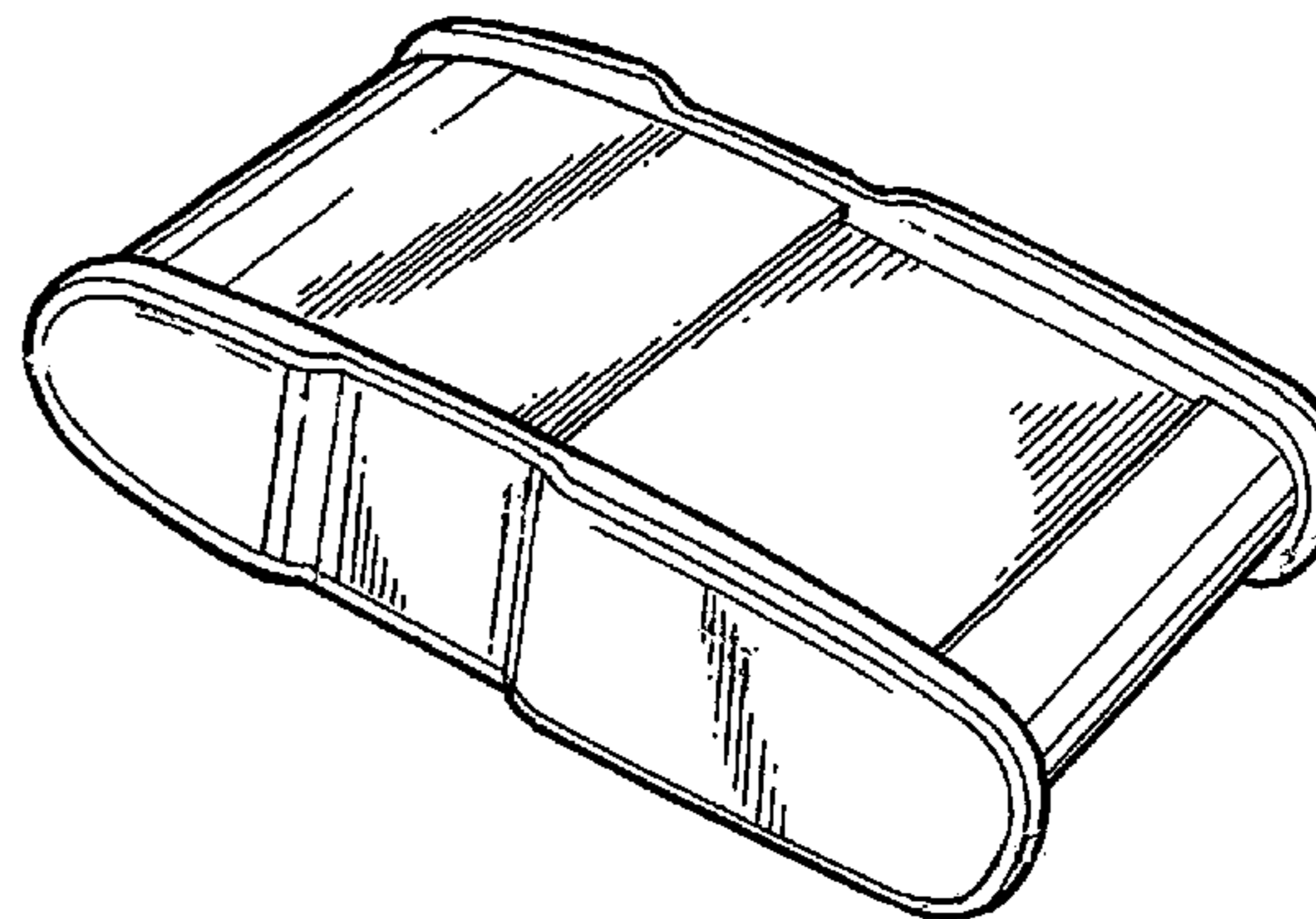
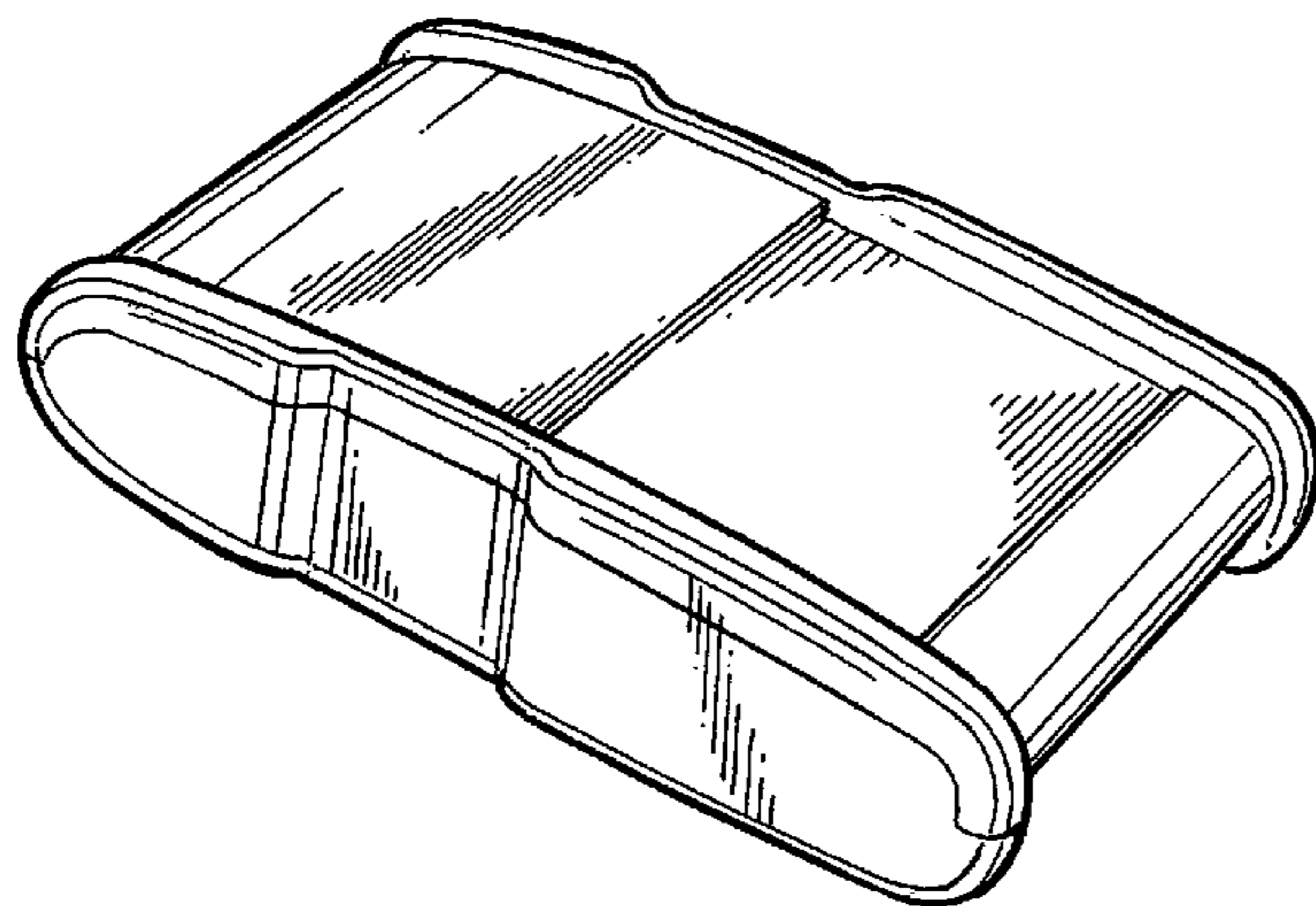
FIG. 11 is a top plan view thereof.

FIG. 12 is a bottom plan view thereof.

FIG. 13 is a right side elevational view thereof; and,

FIG. 14 is a left side elevational view thereof.

1 Claim, 6 Drawing Sheets



US D547,647 S

Page 2

U.S. PATENT DOCUMENTS

D393,063 S *	3/1998	Wefler	D23/366	D465,729 S	11/2002	Nishimura	
D407,972 S	4/1999	Hilton		D474,402 S *	5/2003	Baerenwald	D9/420
D442,744 S *	5/2001	Goswell	D28/82	D478,280 S *	8/2003	Miller et al.	D9/420
D446,718 S	8/2001	Anderson		D479,462 S *	9/2003	Chan	D9/422
D448,668 S *	10/2001	Baerenwald et al.	D9/449	D494,466 S	8/2004	Devine	
D451,799 S	12/2001	Berger et al.		D497,246 S	10/2004	Darst	
6,341,693 B2	1/2002	Konno et al.		D497,803 S	11/2004	Nichols et al.	
6,341,710 B1	1/2002	Danielson et al.		6,981,591 B2 *	1/2006	Logan	206/451
D460,352 S	7/2002	Bried		2004/0173613 A1	9/2004	Schroeder et al.	
D464,567 S *	10/2002	Baerenwald et al.	D9/432				

* cited by examiner

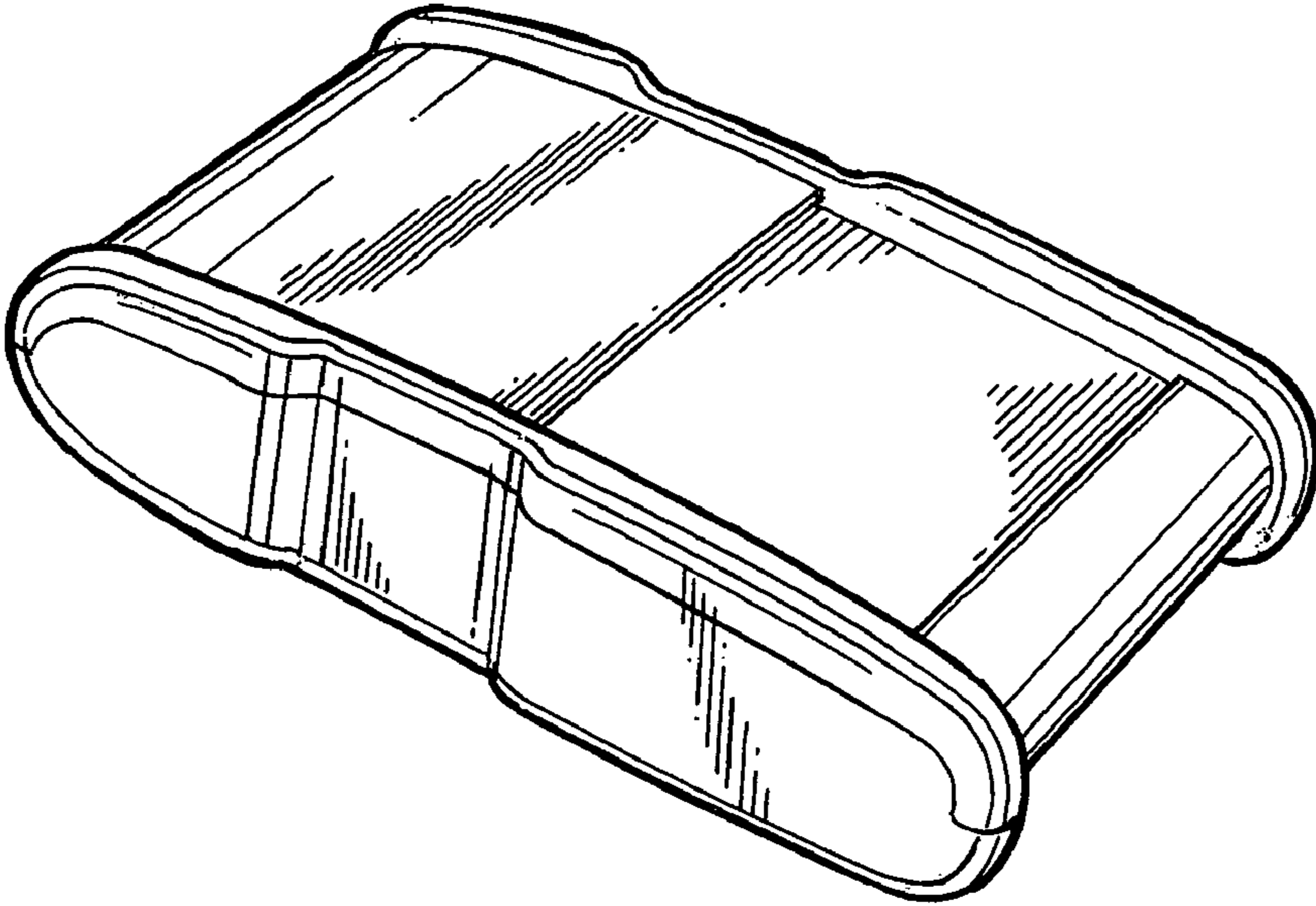


FIG. 1

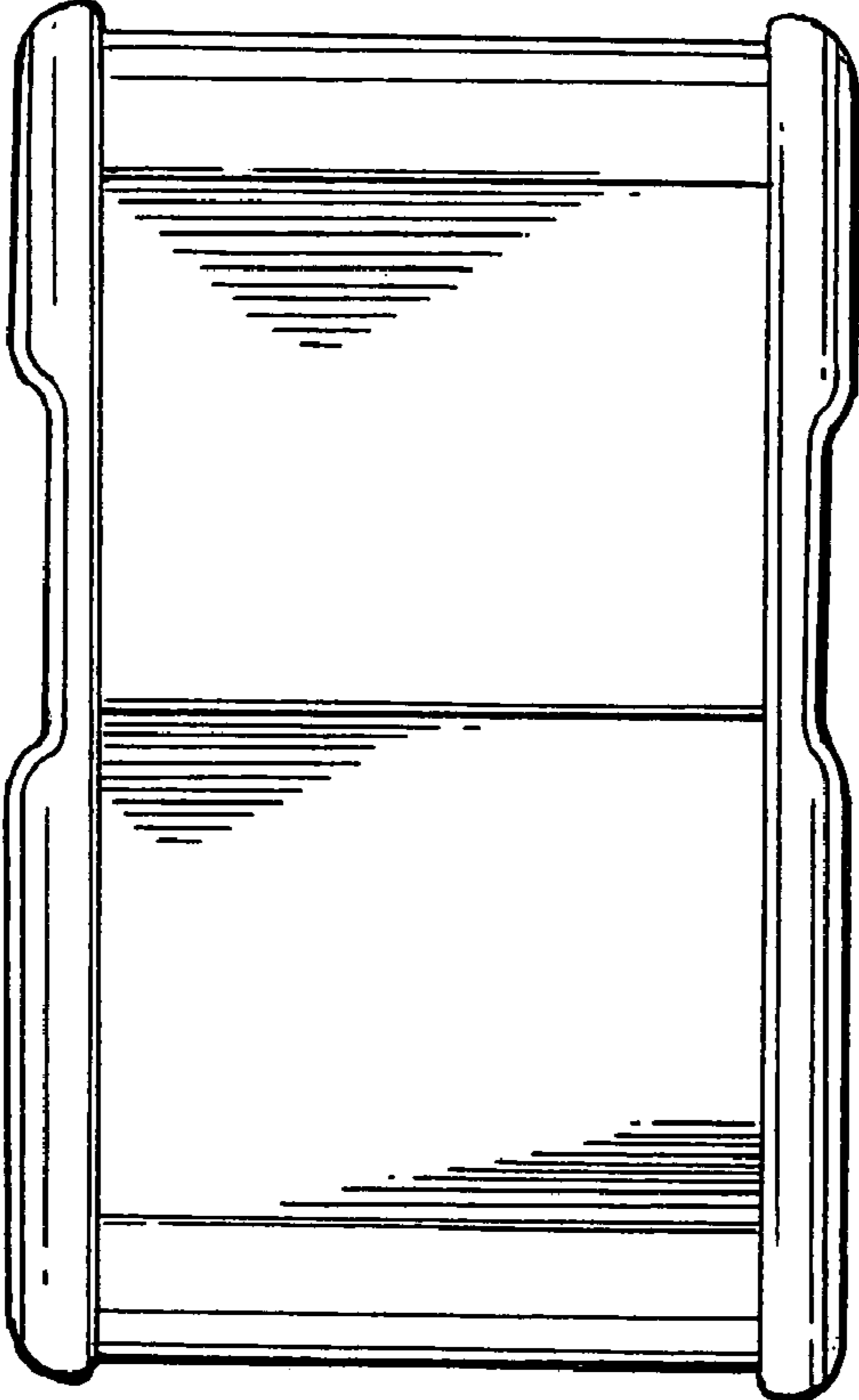


FIG. 2

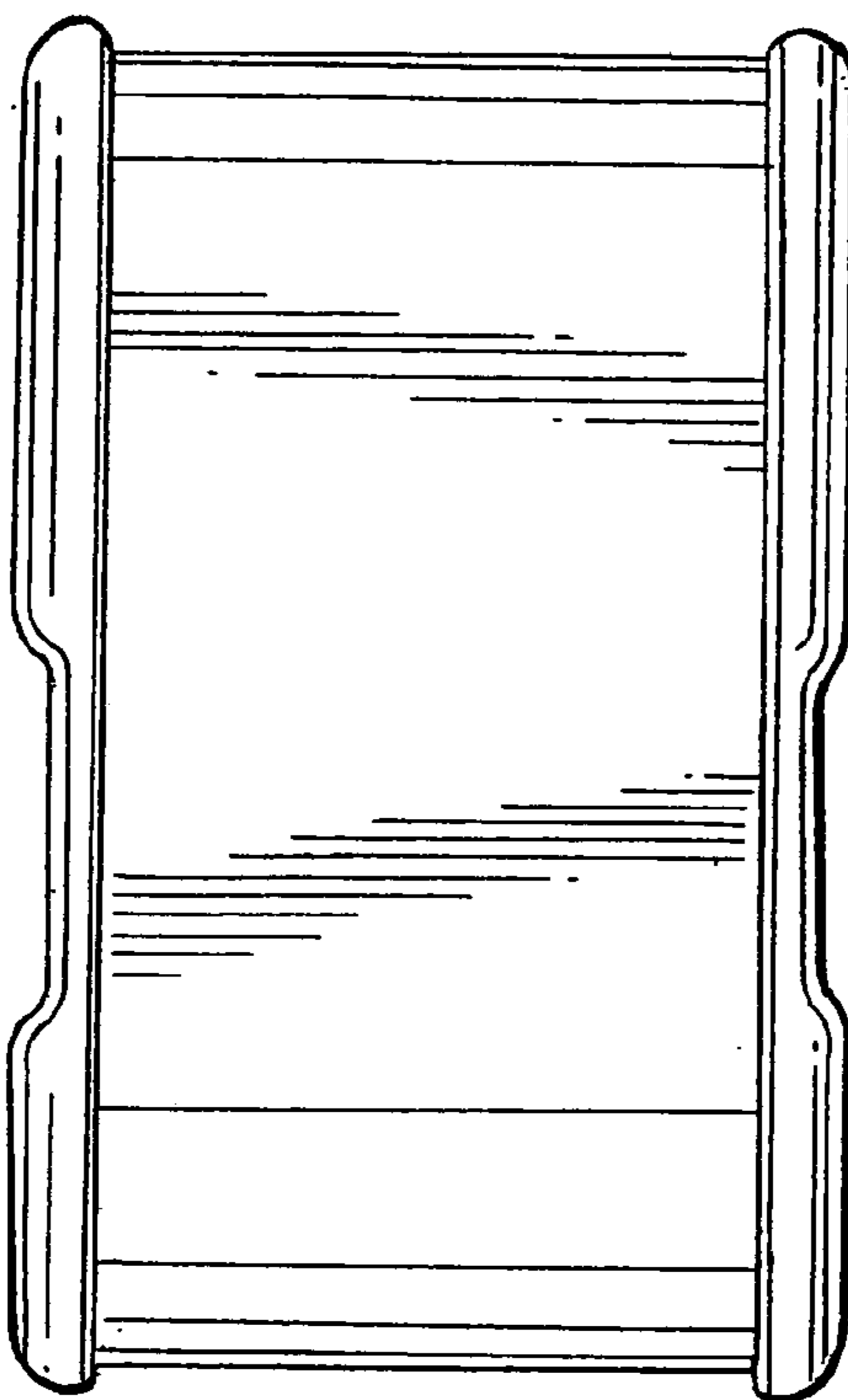


FIG. 3

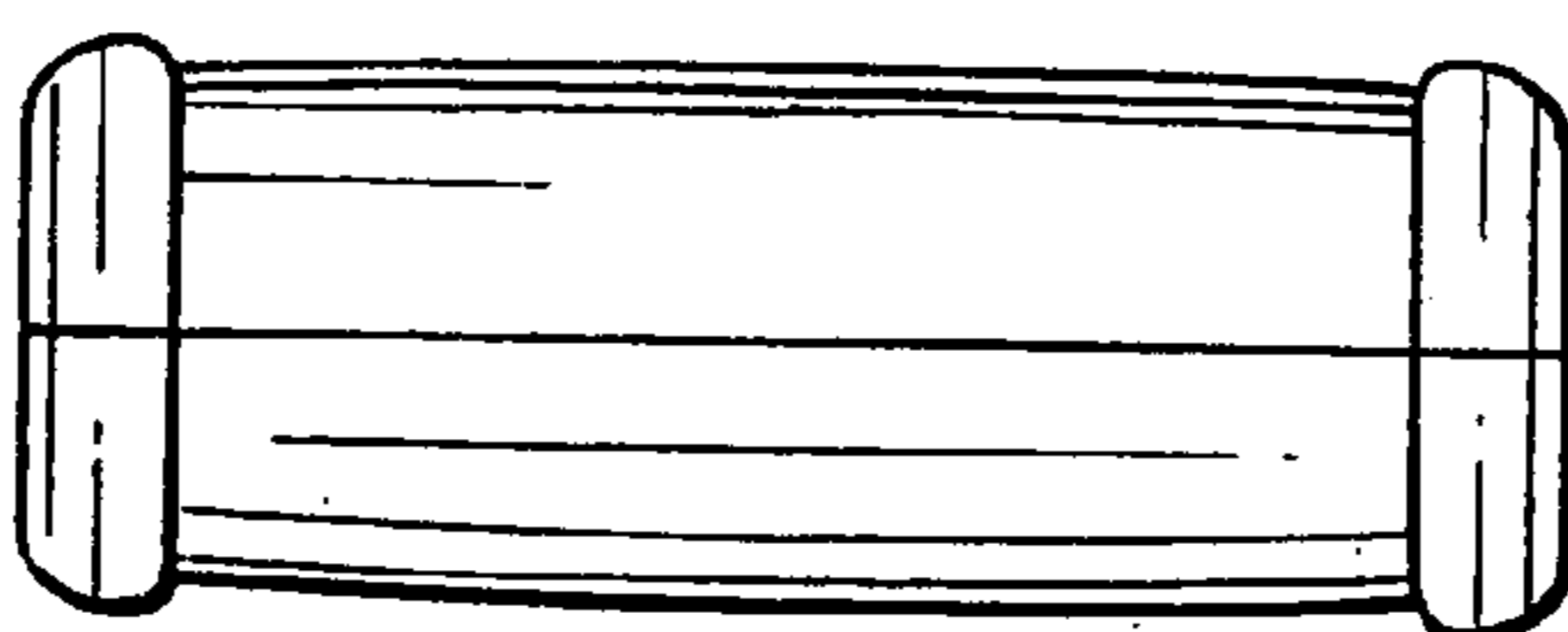


FIG. 4

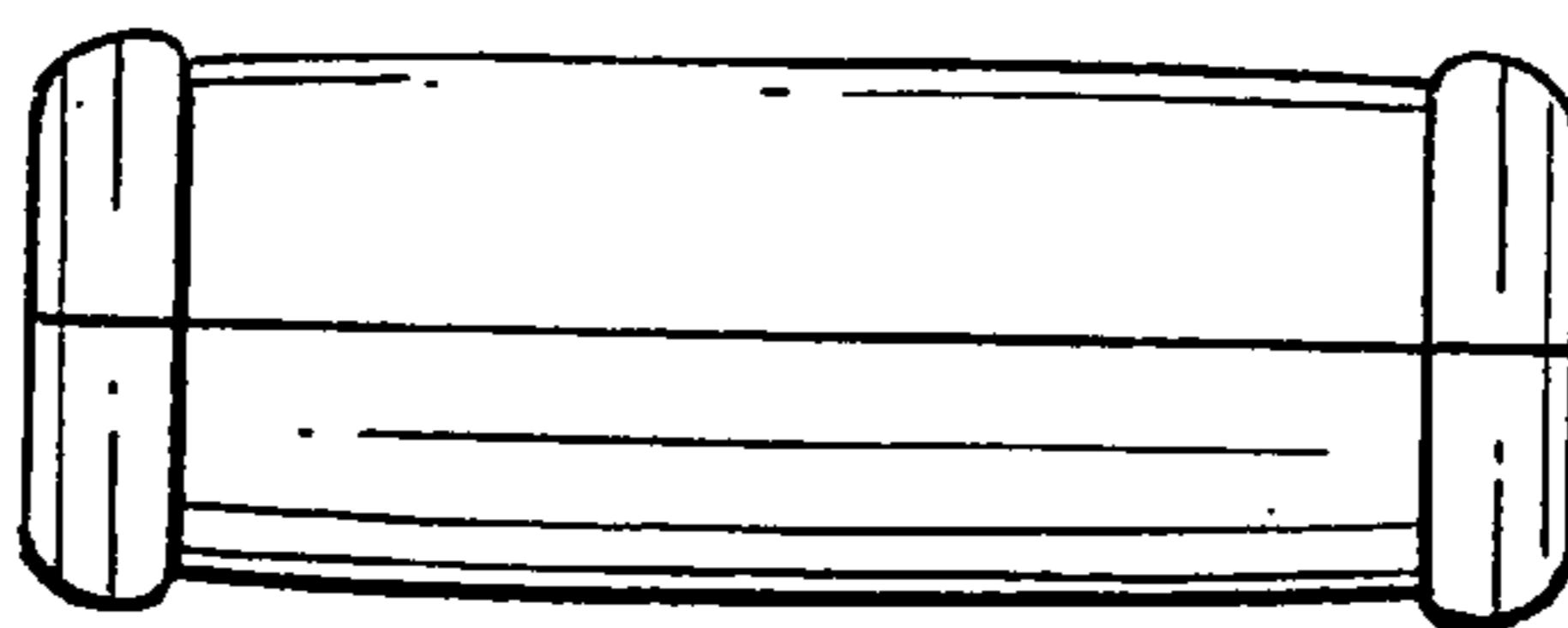


FIG. 5

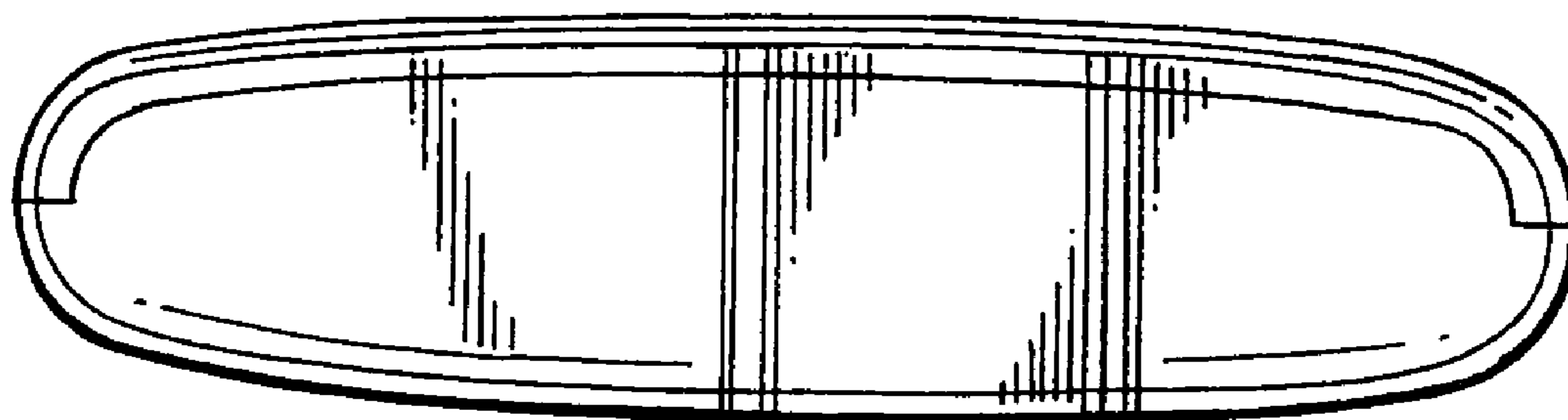


FIG. 6

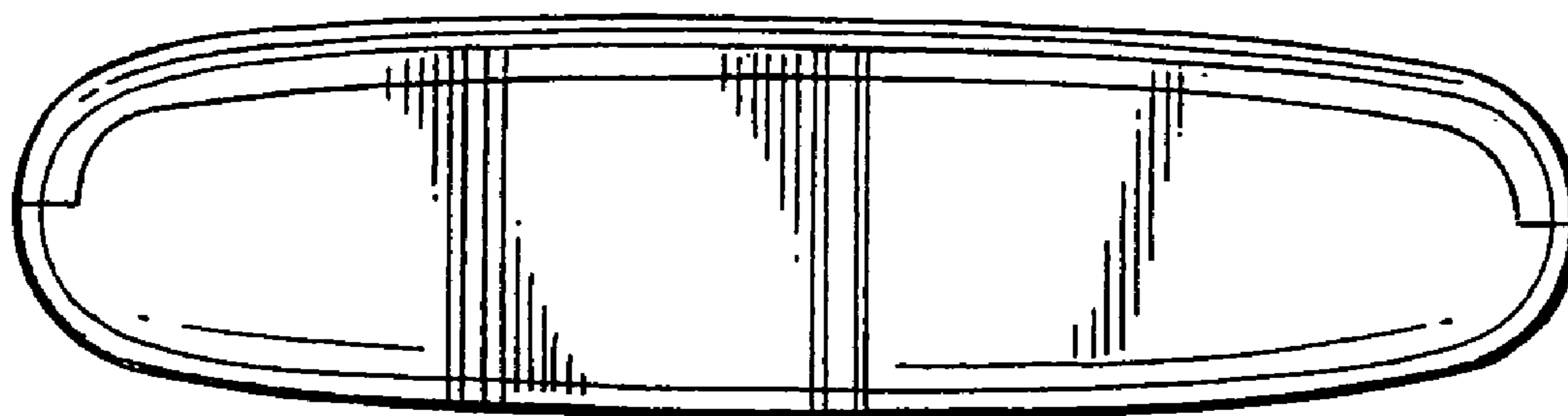


FIG. 7

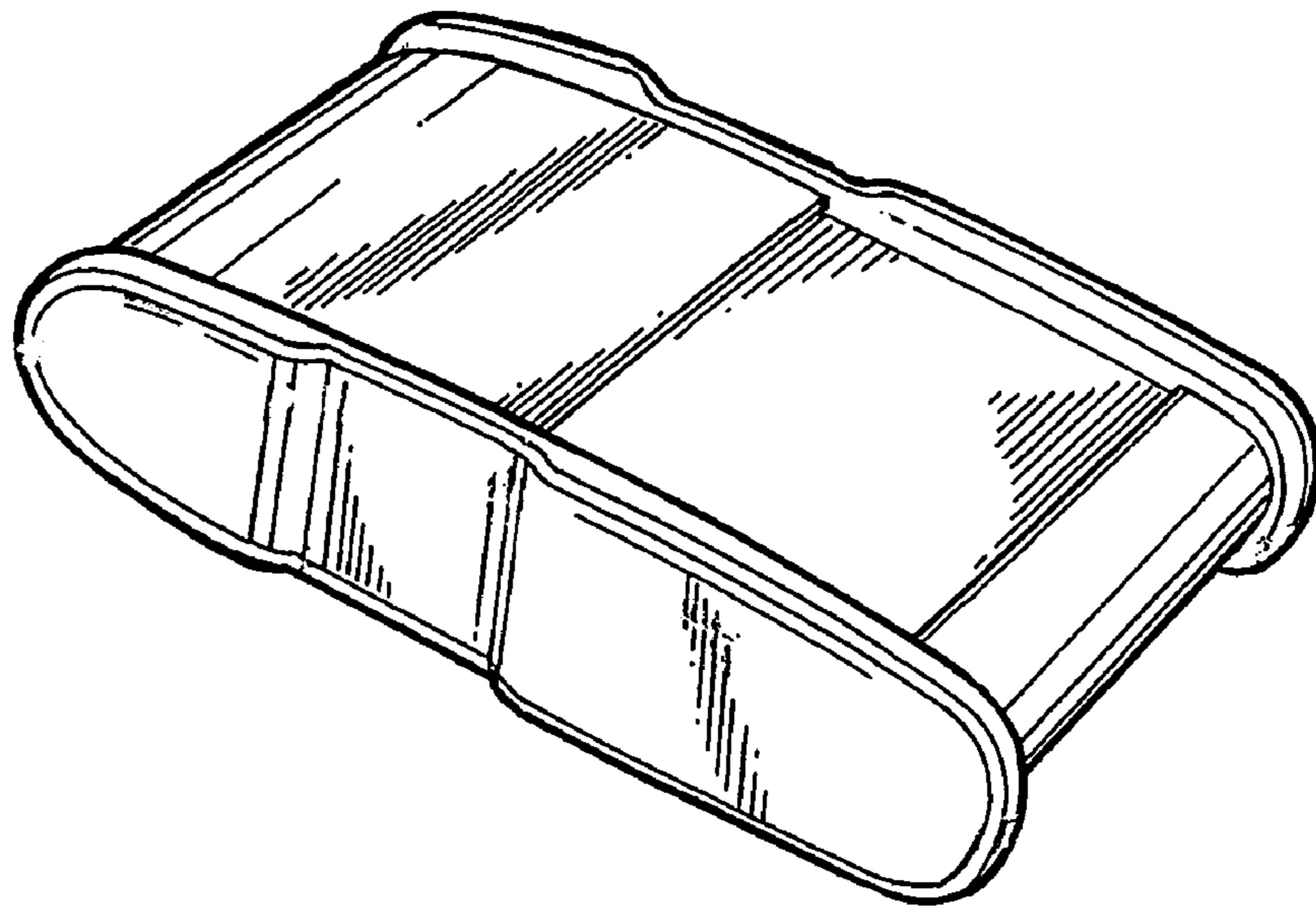


FIG. 8

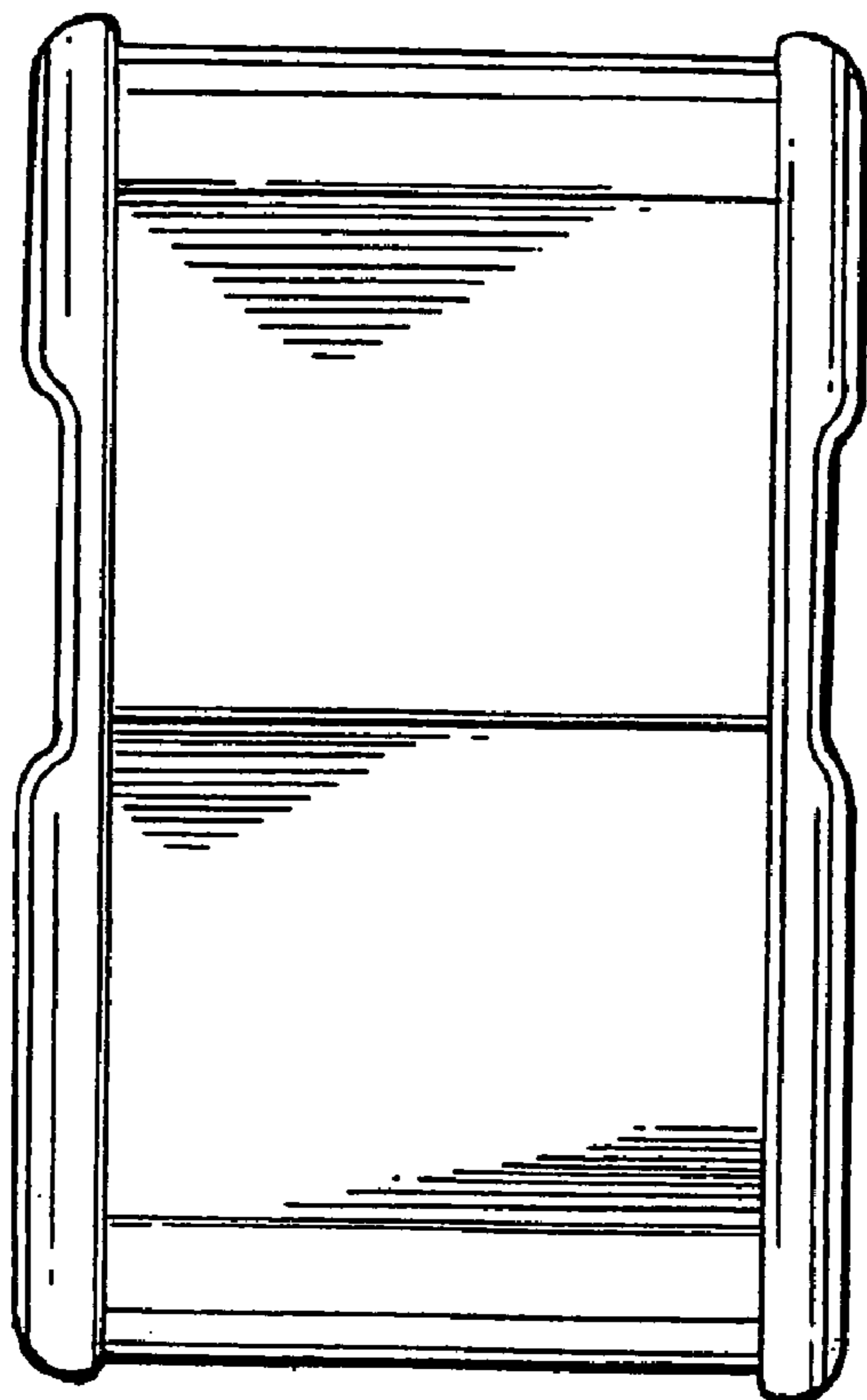


FIG. 9

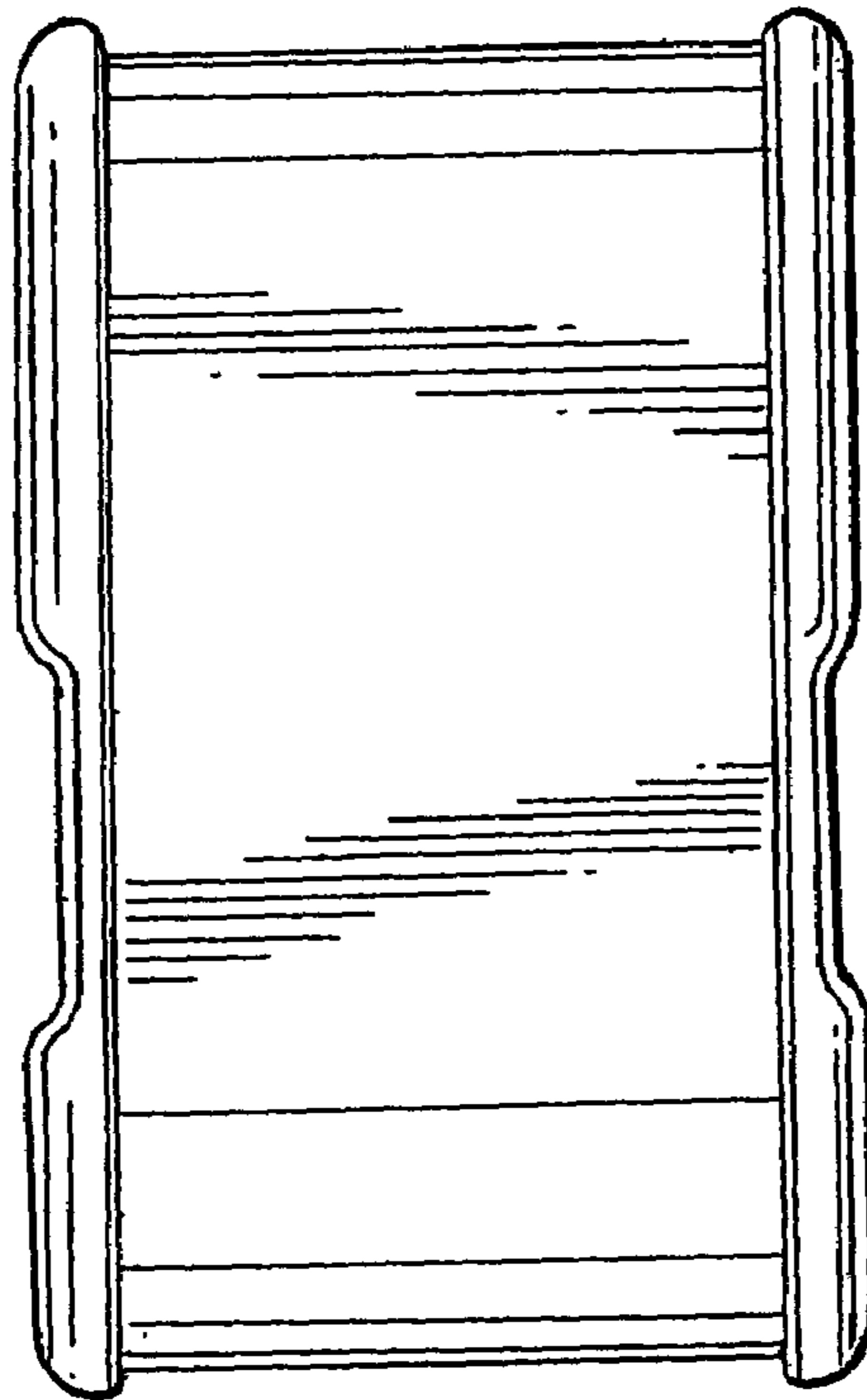


FIG. 10

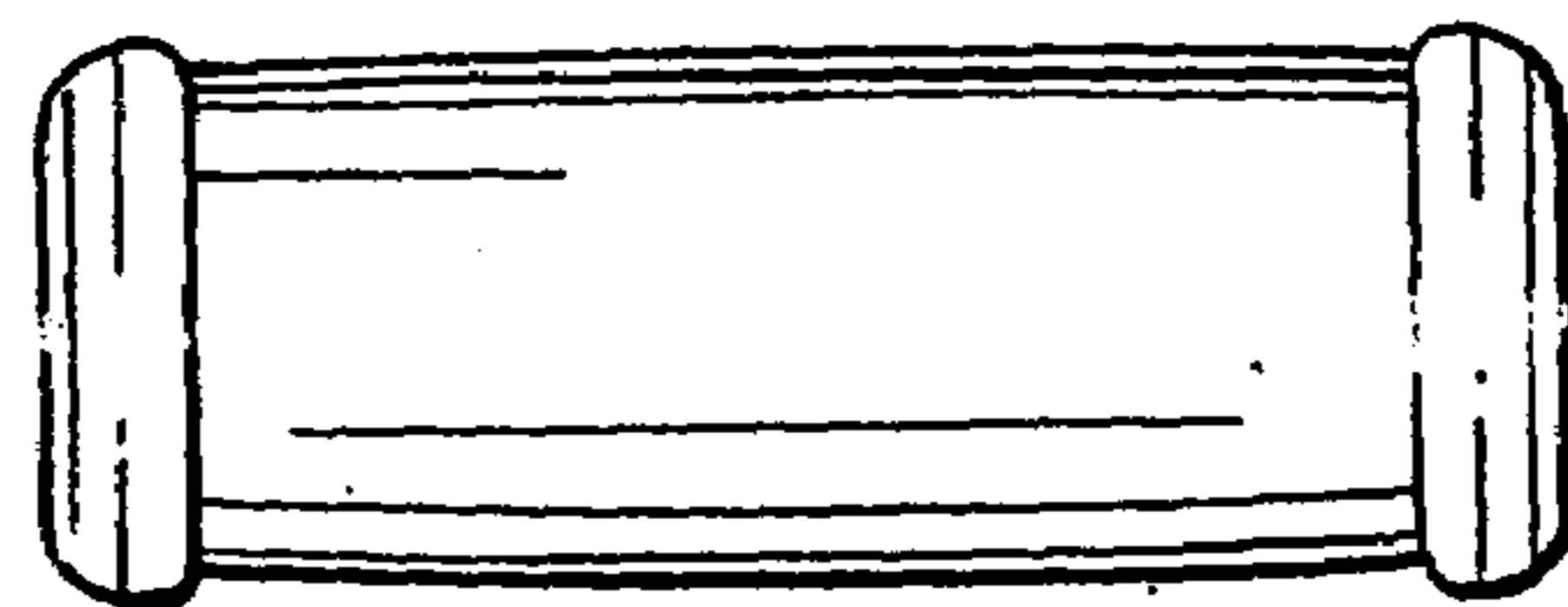


FIG. 11

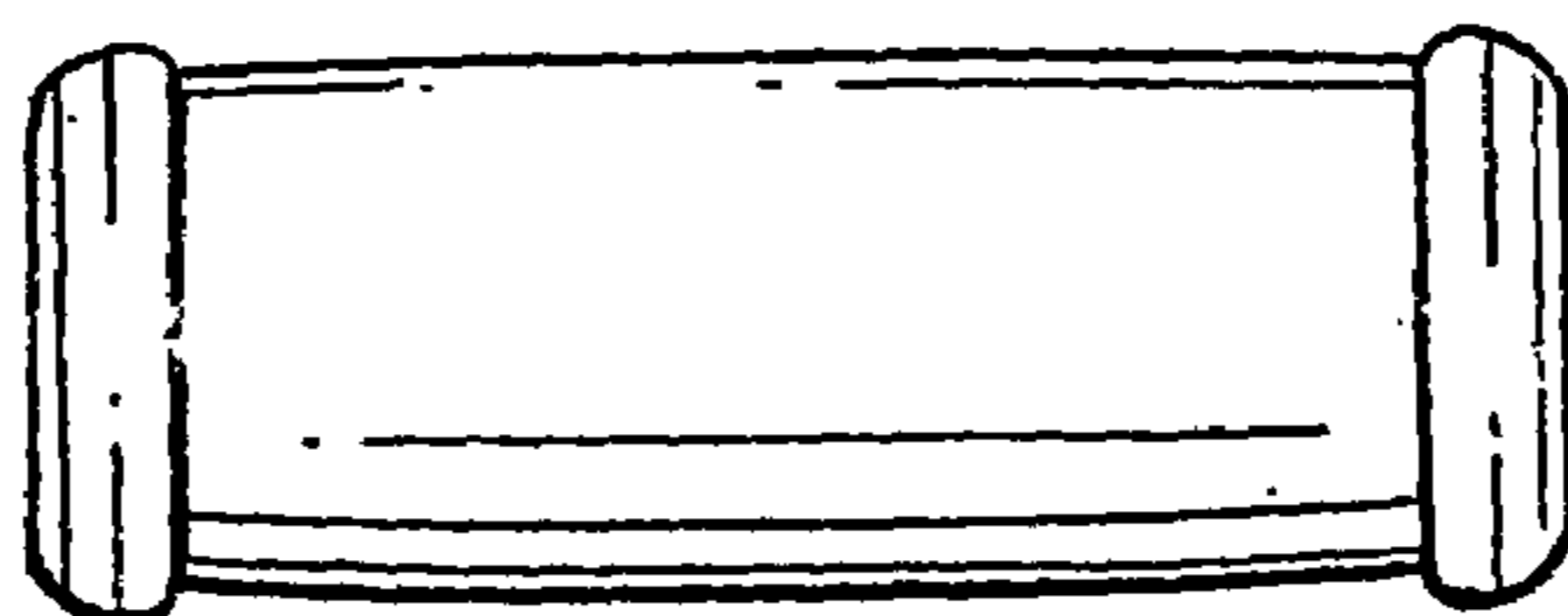


FIG. 12

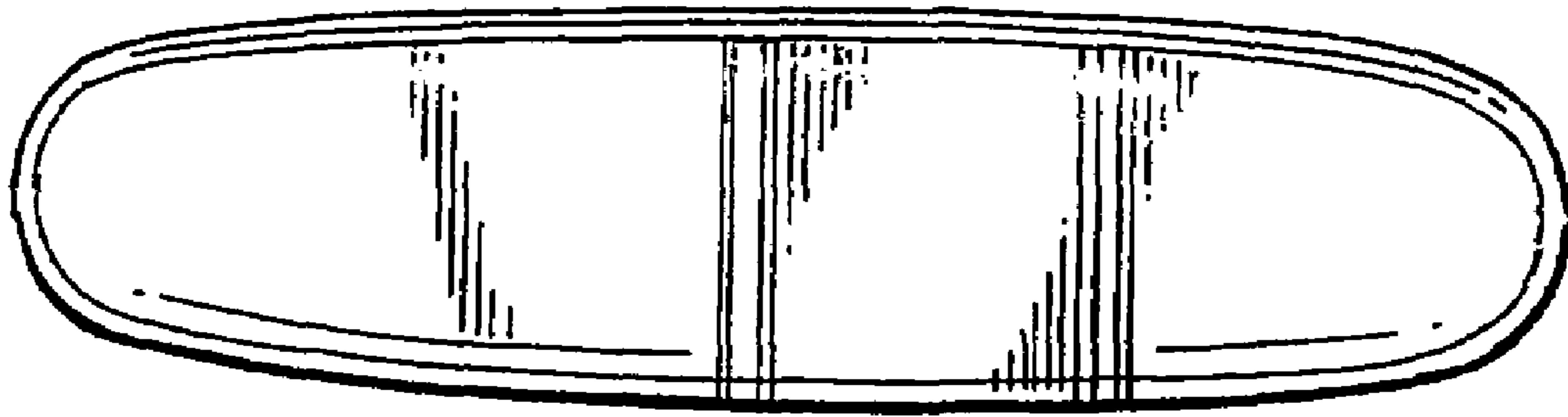


FIG. 13

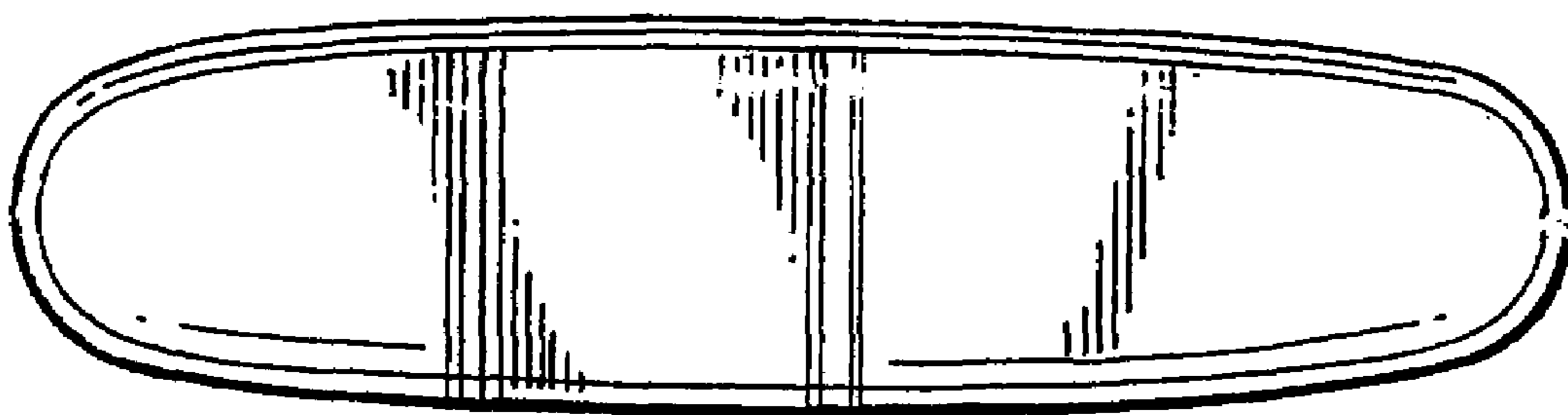


FIG. 14