



US00D547645S

(12) **United States Design Patent** (10) **Patent No.:** **US D547,645 S**  
**Sainz** (45) **Date of Patent:** **\*\* Jul. 31, 2007**

(54) **PRODUCT DISPENSER**

(74) *Attorney, Agent, or Firm*—Bell, Boyd & Lloyd LLP

(75) Inventor: **José Ramón Sainz**, Barcelona (ES)

(57) **CLAIM**

(73) Assignee: **Wm. Wrigley Jr. Company**, Chicago, IL (US)

The ornamental design for a product dispenser, as shown and described.

(\*\*) Term: **14 Years**

(21) Appl. No.: **29/229,614**

**DESCRIPTION**

(22) Filed: **May 9, 2005**

(51) **LOC (8) Cl.** ..... **09-03**

(52) **U.S. Cl.** ..... **D9/420**

(58) **Field of Classification Search** ..... D9/414,  
D9/417, 420–435, 440, 447, 499, 760–770,  
D9/756; 206/37, 494, 527, 499–502, 457;  
220/620, 656, 659, 669, 765, 890; 229/400–404,  
229/939, 915, 116.5, 201, 100, 123–126,  
229/188

See application file for complete search history.

FIG. 1 is a perspective view of the present product dispenser.

FIG. 2 is a top view of FIG. 1.

FIG. 3 is a front view of FIG. 1.

FIG. 4 is a right side view of FIG. 1, wherein the left side view is an identical image of this view.

FIG. 5 is a bottom view of FIG. 1.

FIG. 6 is rear view of FIG. 1.

FIG. 7 is a perspective view of FIG. 1, wherein a portion of the cover is in an open position.

FIG. 8 is a perspective view of FIG. 1, wherein the cover is in an open position.

FIG. 9 is a perspective view of a second embodiment of the present product dispenser, as shown in FIGS. 2 through 6, wherein the portions of the product dispenser shown in broken lines are not part of the claimed design and are provided for illustrative purposes only; and,

FIG. 10 is a perspective view of a third embodiment of the present product dispenser, as shown in FIGS. 2 through 6, wherein the portions of the product dispenser shown in broken lines are not part of the claimed design and are provided for illustrative purposes only.

The broken line showing of the product dispenser is included for the purpose of illustrating environment only and forms no part of the claimed design.

(56) **References Cited**

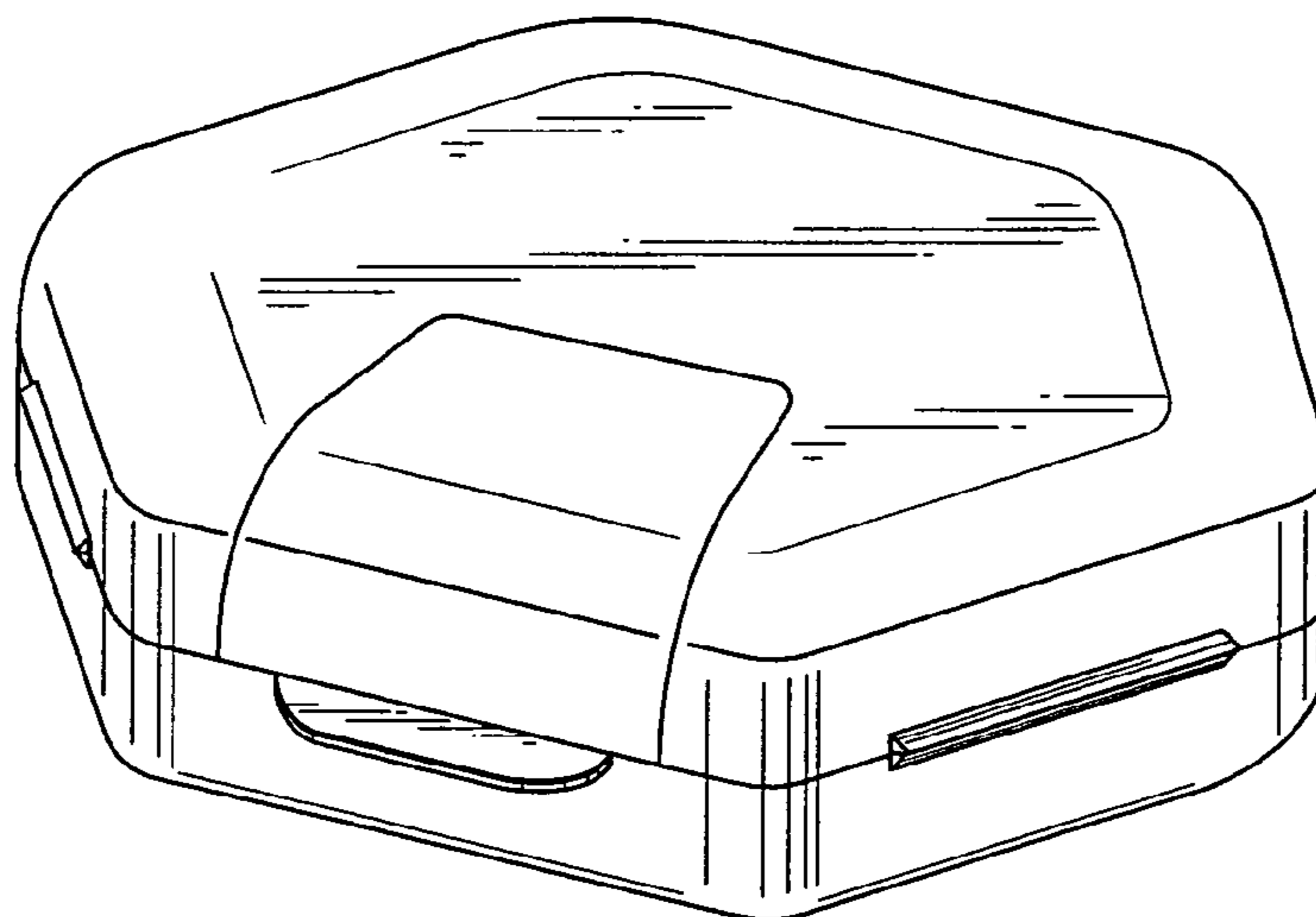
**U.S. PATENT DOCUMENTS**

D264,510 S *	5/1982	Boyd	.....	D28/78
D330,854 S *	11/1992	Black, Sr.	.....	D9/428
D351,345 S *	10/1994	Geho	.....	D9/430
D401,017 S *	11/1998	Thorpe	.....	D28/78
D431,458 S *	10/2000	Bried et al.	.....	D3/203.2
D436,034 S	1/2001	Wolff		
D441,144 S *	4/2001	Vanoncini	.....	D28/82
D441,649 S	5/2001	Wolff		
6,247,595 B1	6/2001	Omata et al.		
D444,703 S *	7/2001	Allasia	.....	D9/423
D503,889 S *	4/2005	Yeung	.....	D9/549
D524,153 S *	7/2006	Reinhard	.....	D9/428

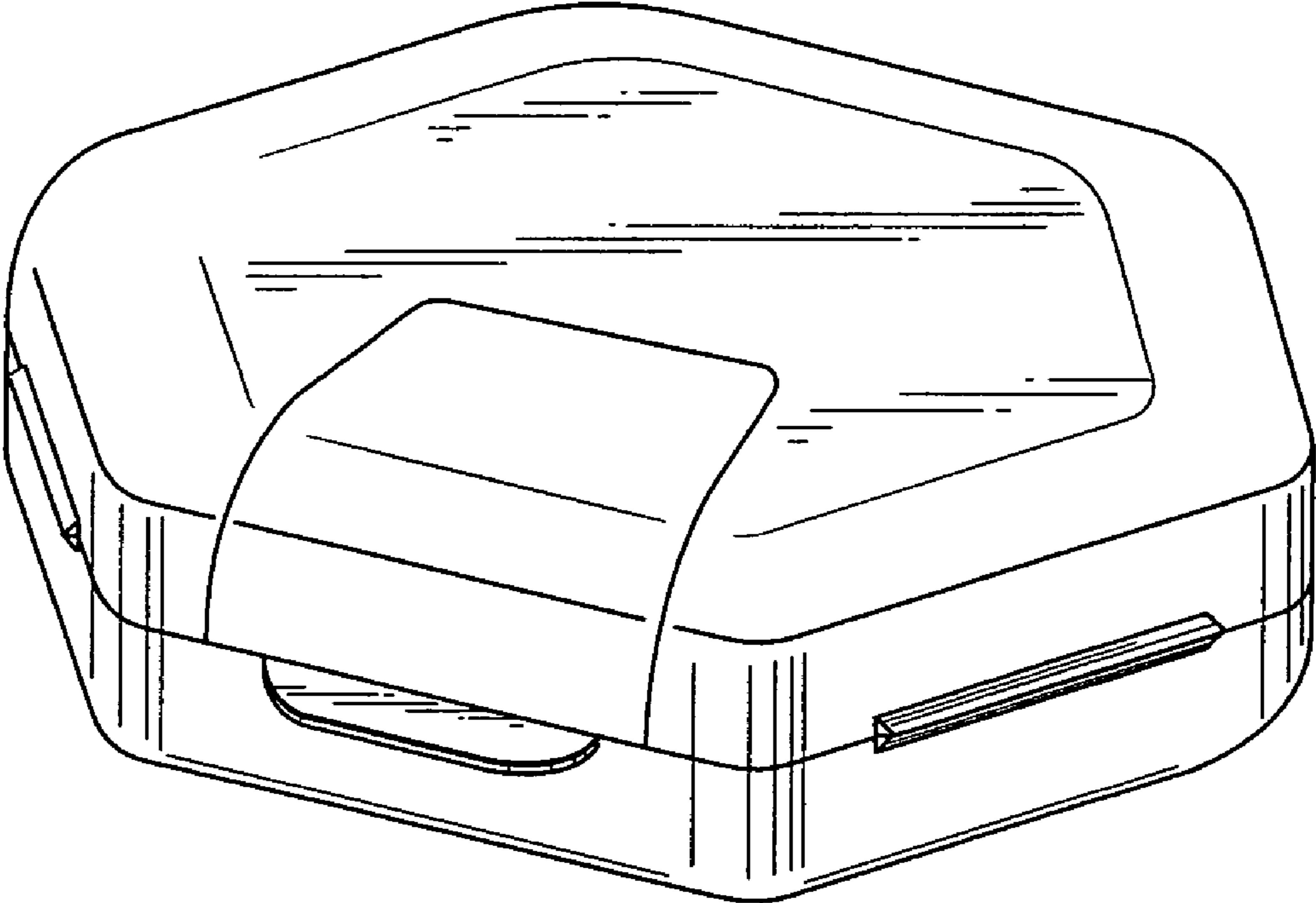
\* cited by examiner

*Primary Examiner*—Stella Reid  
*Assistant Examiner*—Thomas Johannes

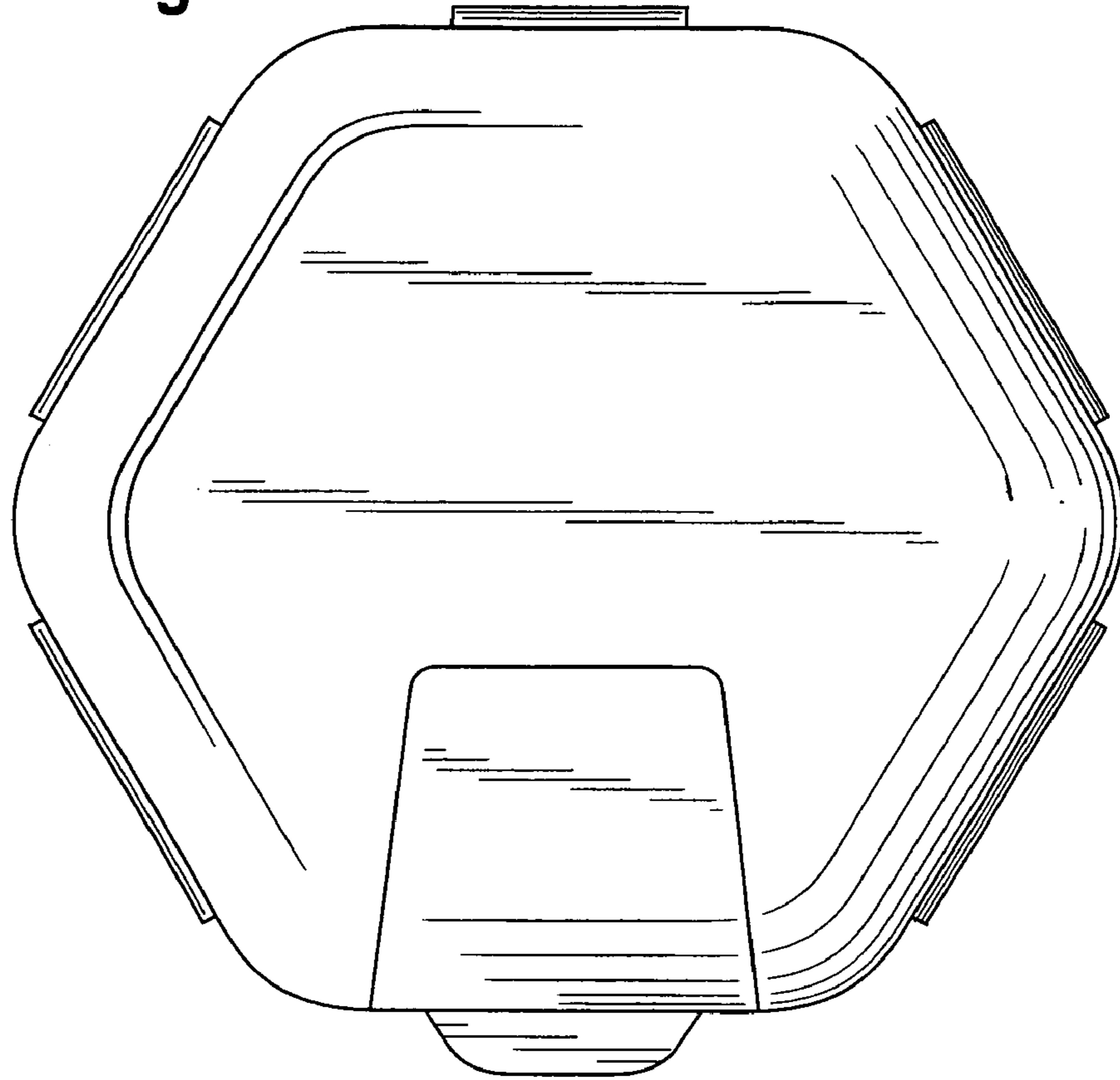
**1 Claim, 5 Drawing Sheets**



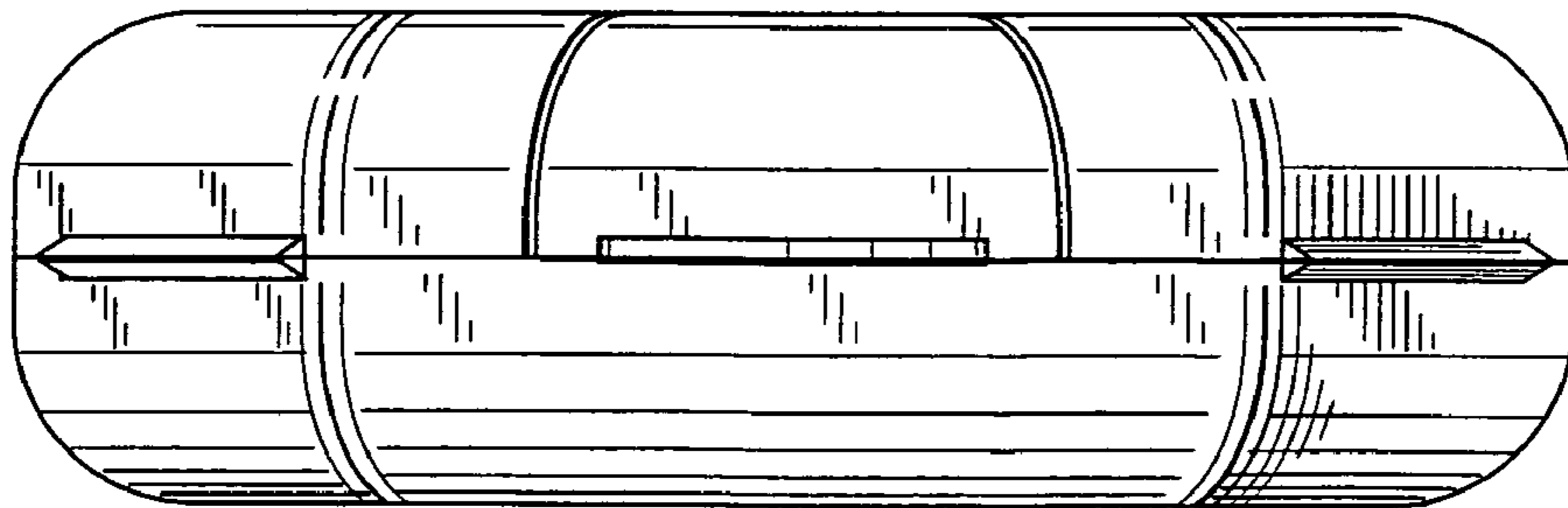
**Fig. 1**



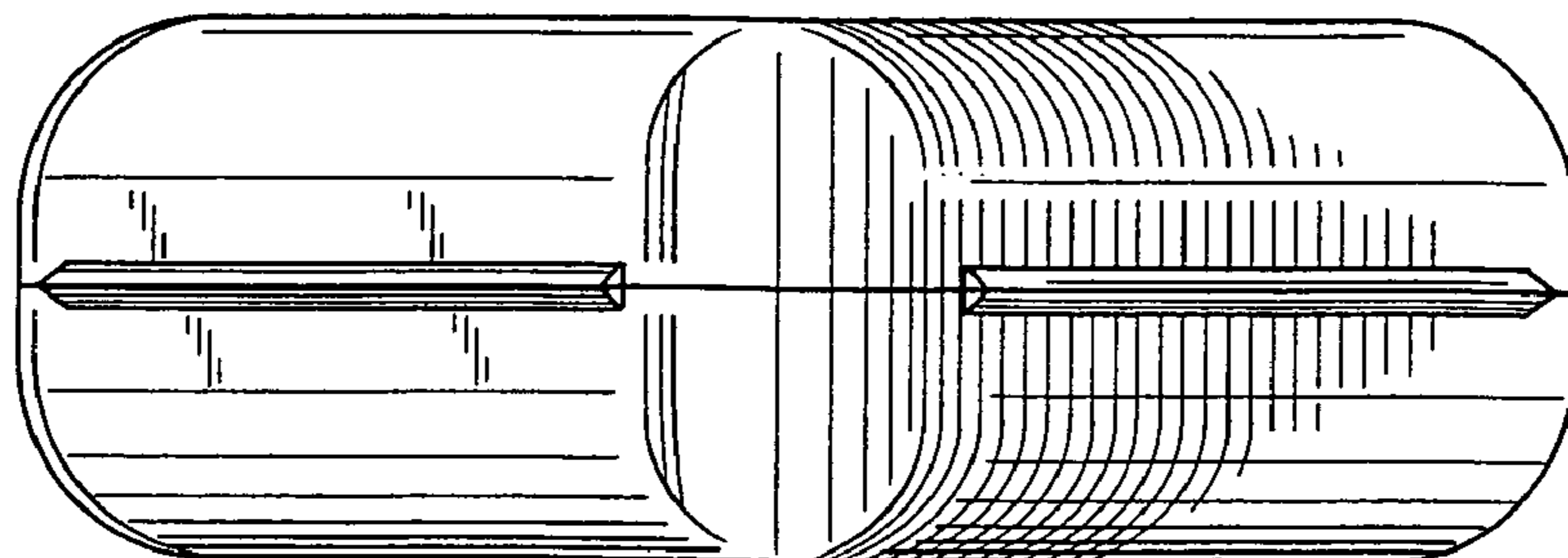
**Fig. 2**



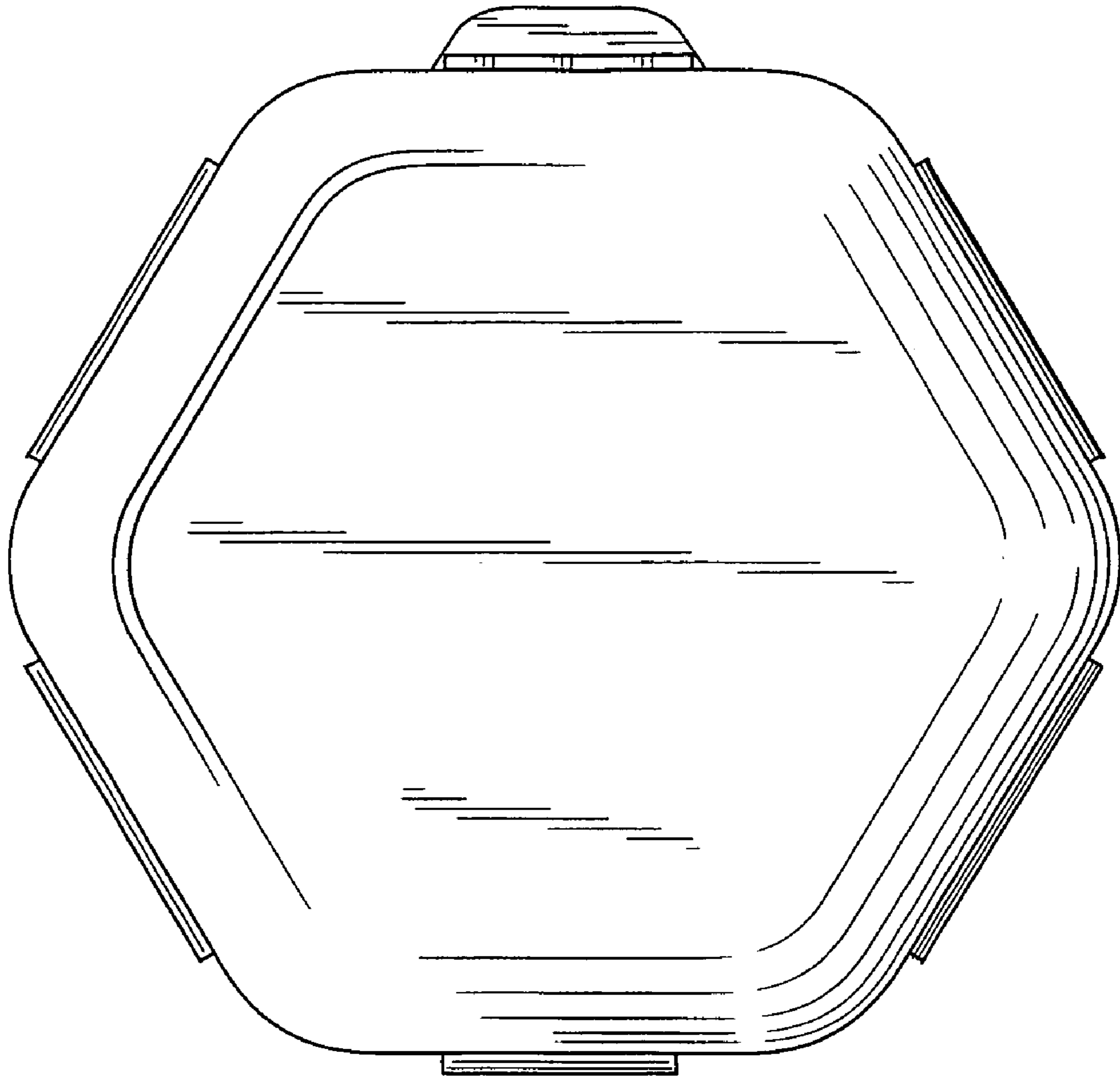
**Fig. 3**



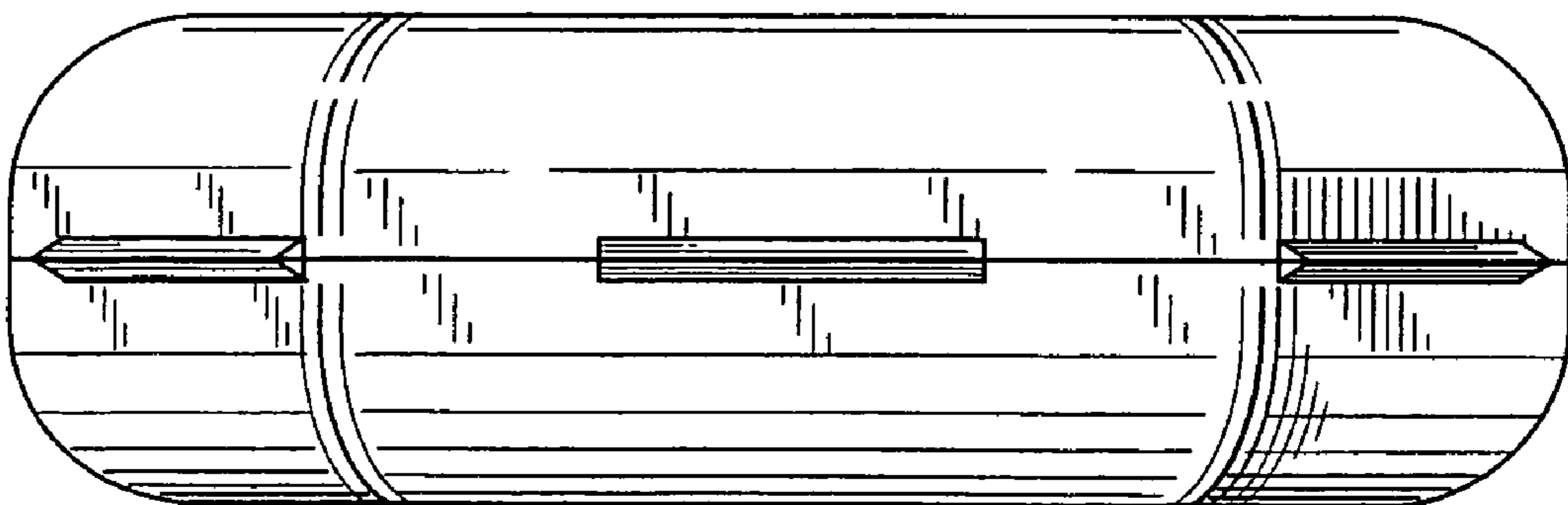
**Fig. 4**



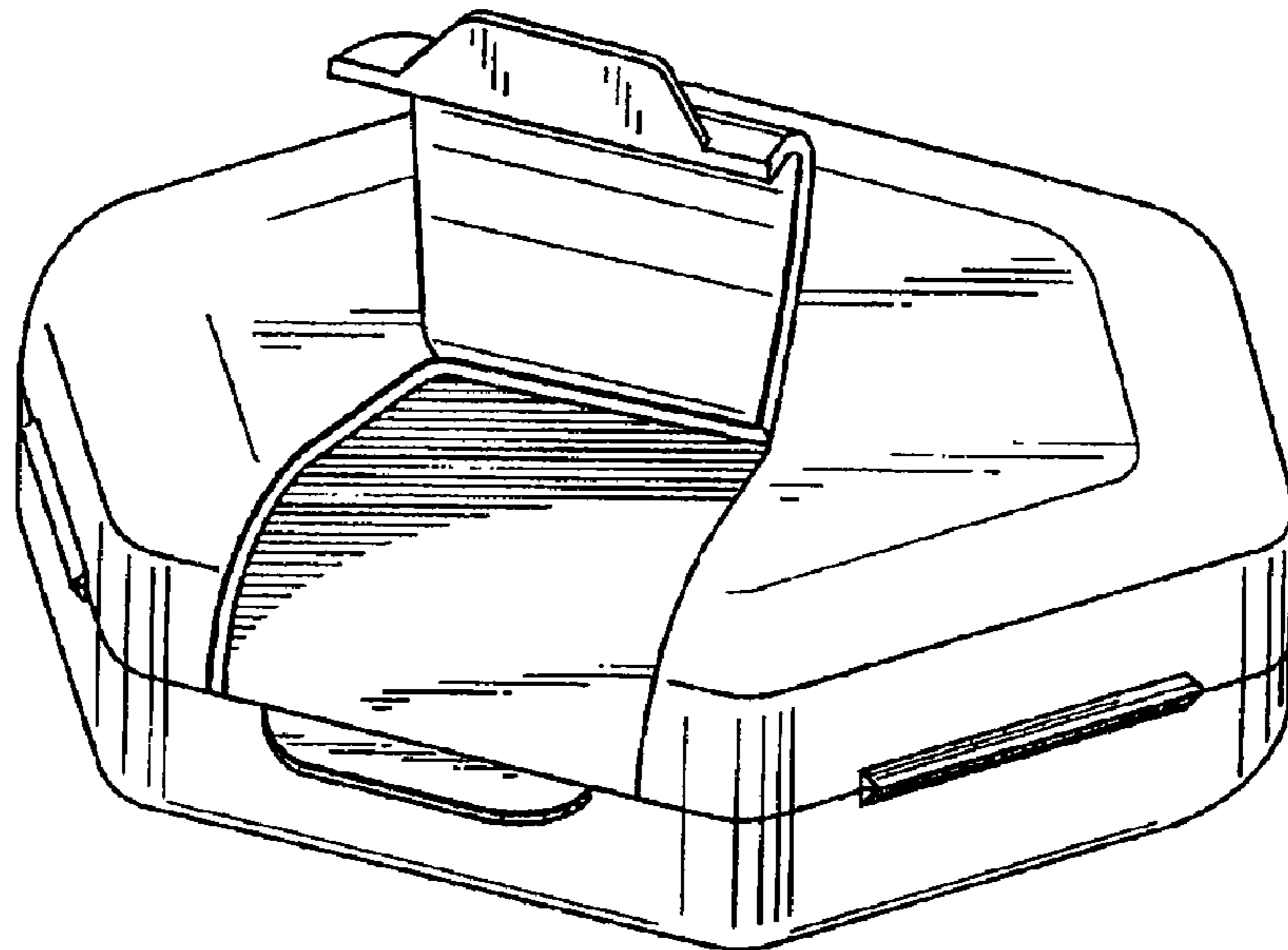
**Fig. 5**



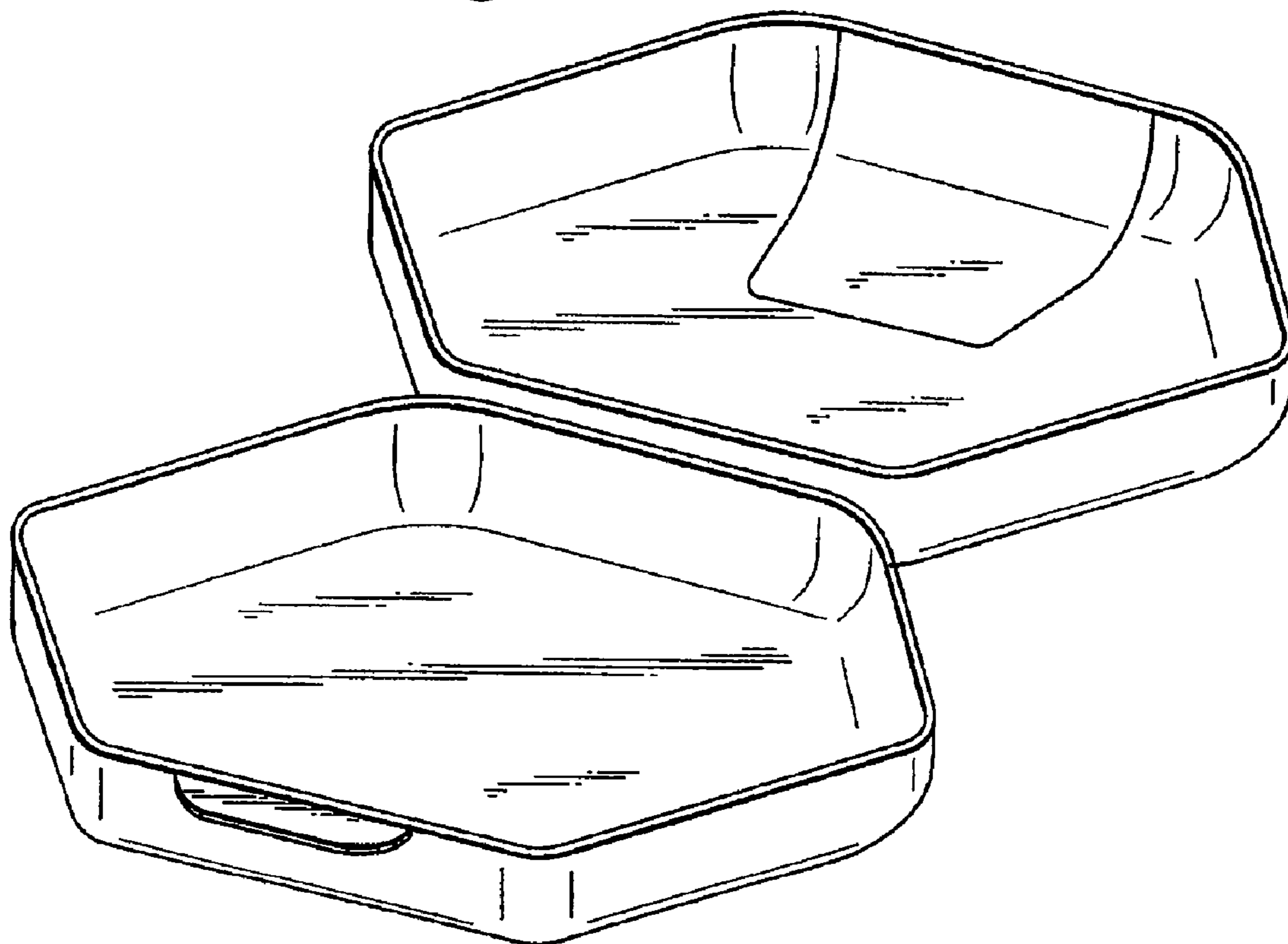
**Fig. 6**



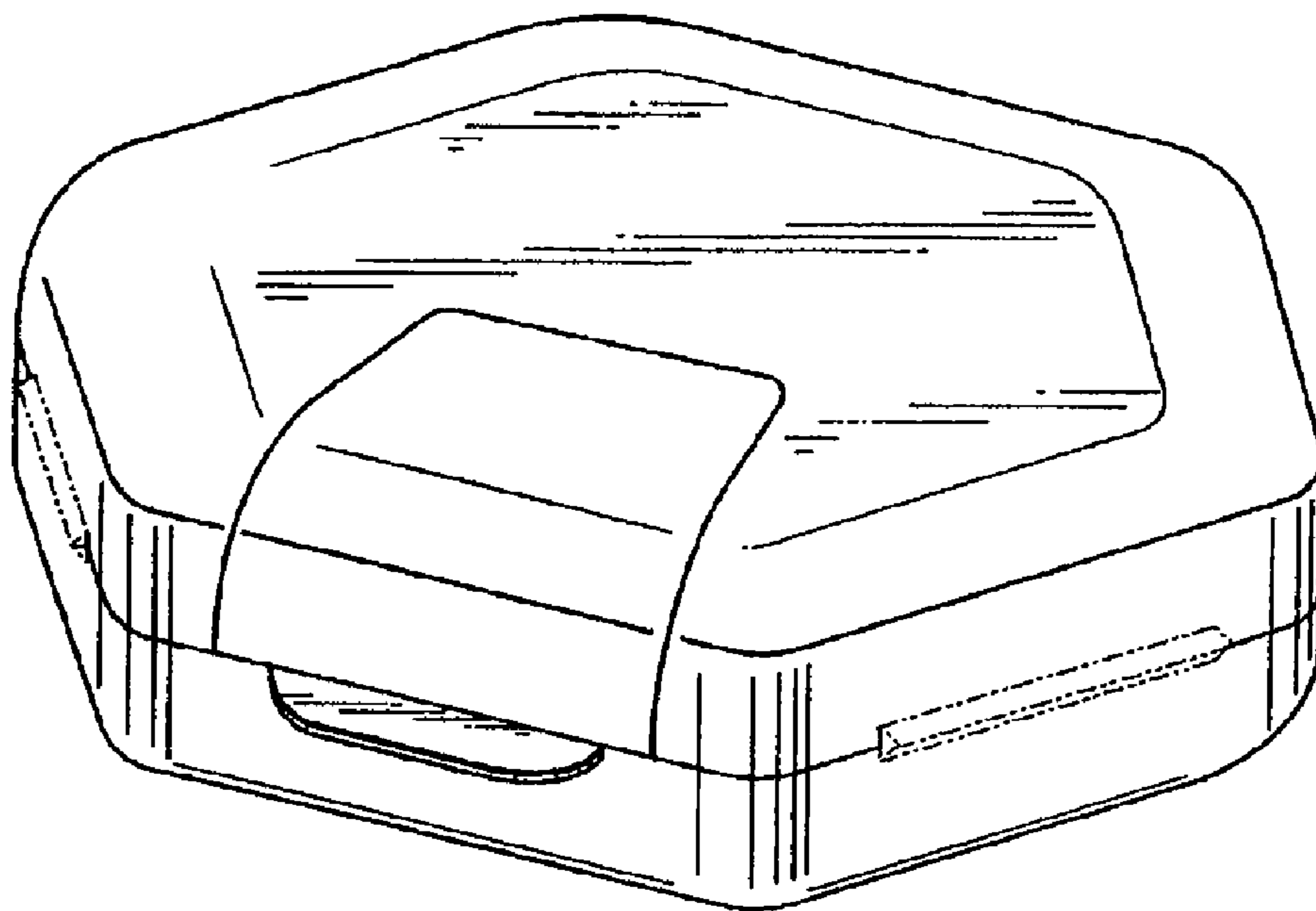
**Fig. 7**



**Fig. 8**



**Fig. 9**



**Fig. 10**

